



US00D524342S

(12) **United States Design Patent**
Suzuki

(10) **Patent No.:** **US D524,342 S**
(45) **Date of Patent:** **** Jul. 4, 2006**

(54) **DIGITAL VIDEO CAMERA**

JP 1067155 4/2000
JP 1034257-3 10/2000

(75) Inventor: **Ken Suzuki, Niiza (JP)**

(73) Assignee: **Kabushiki Kaisha Toshiba (JP)**

(**) Term: **14 Years**

(21) Appl. No.: **29/223,035**

(22) Filed: **Feb. 9, 2005**

(30) **Foreign Application Priority Data**

Dec. 28, 2004 (JP) 2004-040146

(51) **LOC (8) Cl.** **16-01**

(52) **U.S. Cl.** **D16/202**

(58) **Field of Classification Search** D16/200–206,
D16/208, 218; 348/373–376; 358/906; 396/535–541
See application file for complete search history.

(56) **References Cited**

U.S. PATENT DOCUMENTS

5,739,859	A	*	4/1998	Hattori et al.	348/375
D408,428	S	*	4/1999	Ninomiya et al.	D16/202
D410,017	S		5/1999	Goto et al.	D16/202
D410,662	S	*	6/1999	Harata	D16/202
D413,911	S	*	9/1999	Goto et al.	D16/202
D414,195	S	*	9/1999	Shiozaki et al.	D16/202
D435,575	S	*	12/2000	Kanatani	D16/202
D445,816	S		7/2001	Tanaka	D16/203
D498,780	S	*	11/2004	Su et al.	D16/202
D499,438	S	*	12/2004	Shimizu	D16/202

FOREIGN PATENT DOCUMENTS

JP 1034248-1 7/1999

OTHER PUBLICATIONS

“Panasonic Ideas for Life; Digicam55, NV-GS55K” Feb. 2004.
B&H Photo-Video-Pro Audio Catalog, Summer 2004, pp. 131–137, dated Jun. 2004.

* cited by examiner

Primary Examiner—Adir Aronovich

(74) *Attorney, Agent, or Firm*—Banner & Witcoff, Ltd.

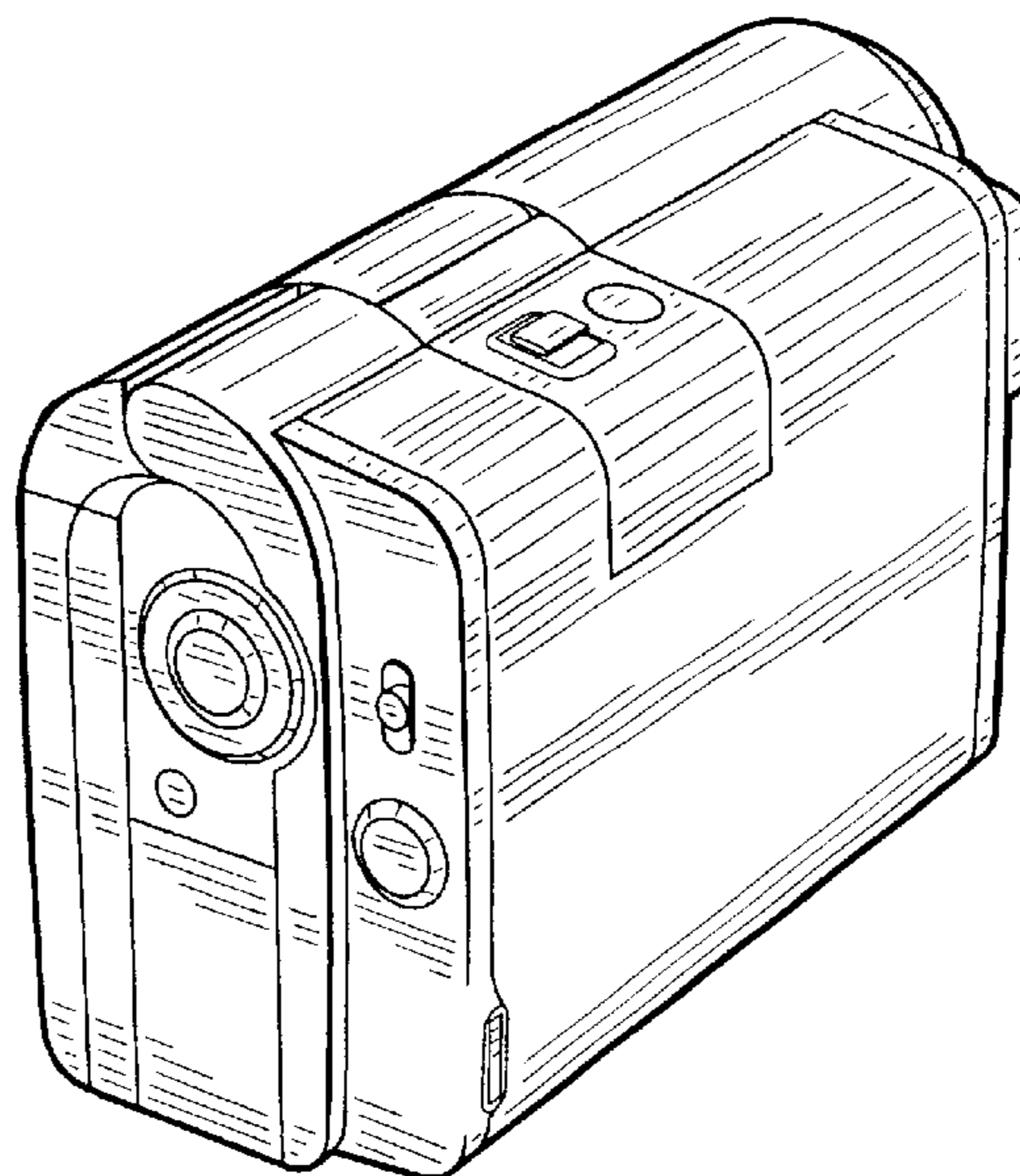
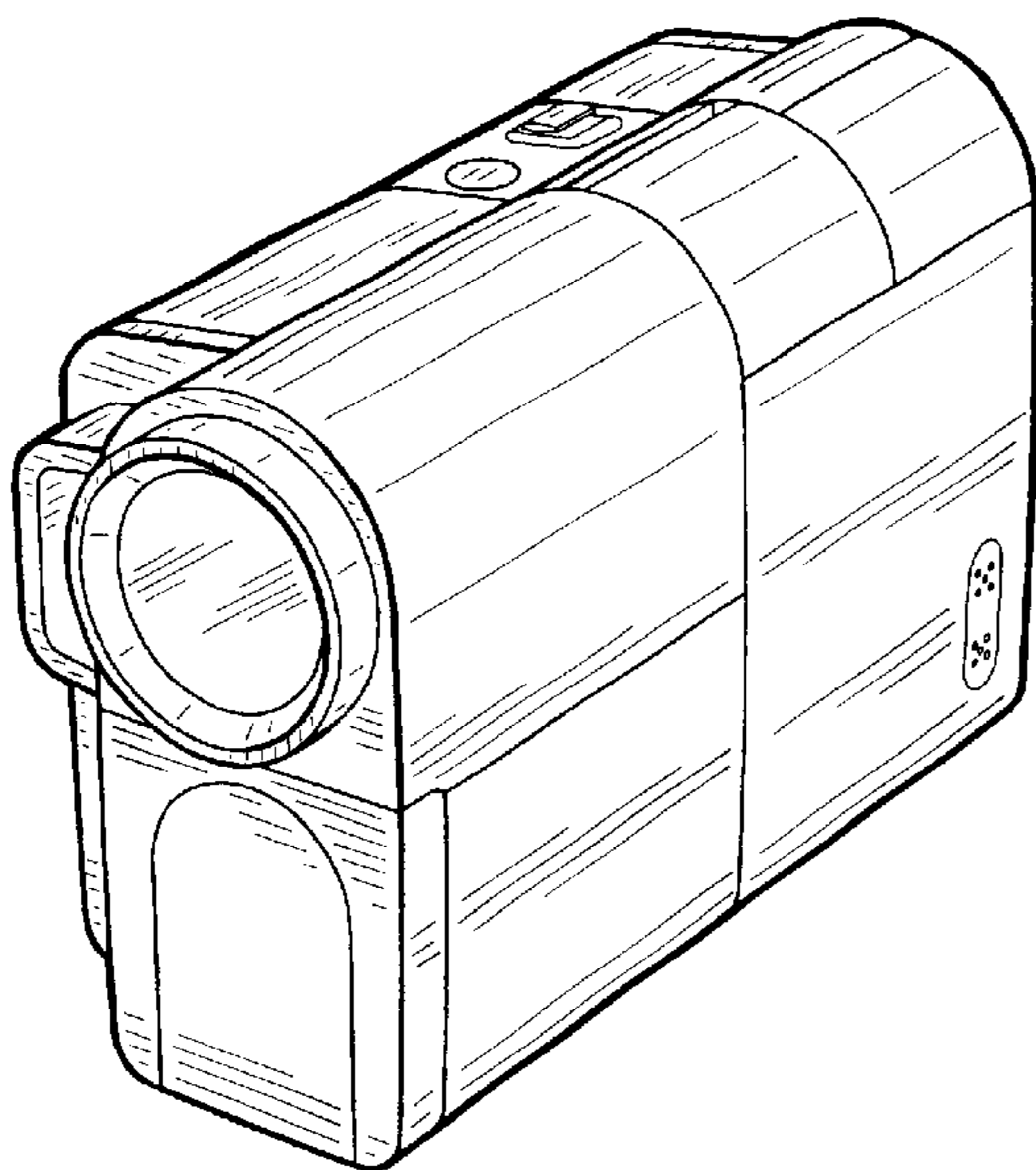
(57) **CLAIM**

The ornamental design for a digital video camera, as shown and described.

DESCRIPTION

FIG. 1 is a front, top and left side perspective view of a digital video camera, showing my new design;
FIG. 2 is a rear, top and right side perspective view thereof;
FIG. 3 is a front, top and right side perspective view thereof with the display in an opened state;
FIG. 4 is a front elevational view thereof;
FIG. 5 is a left side elevational view thereof;
FIG. 6 is a top plan view thereof;
FIG. 7 is a bottom plan view thereof;
FIG. 8 is a right side elevational view thereof;
FIG. 9 is a rear elevational view thereof; and,
FIG. 10 is a right side elevational view thereof with the display in an opened state.

1 Claim, 5 Drawing Sheets



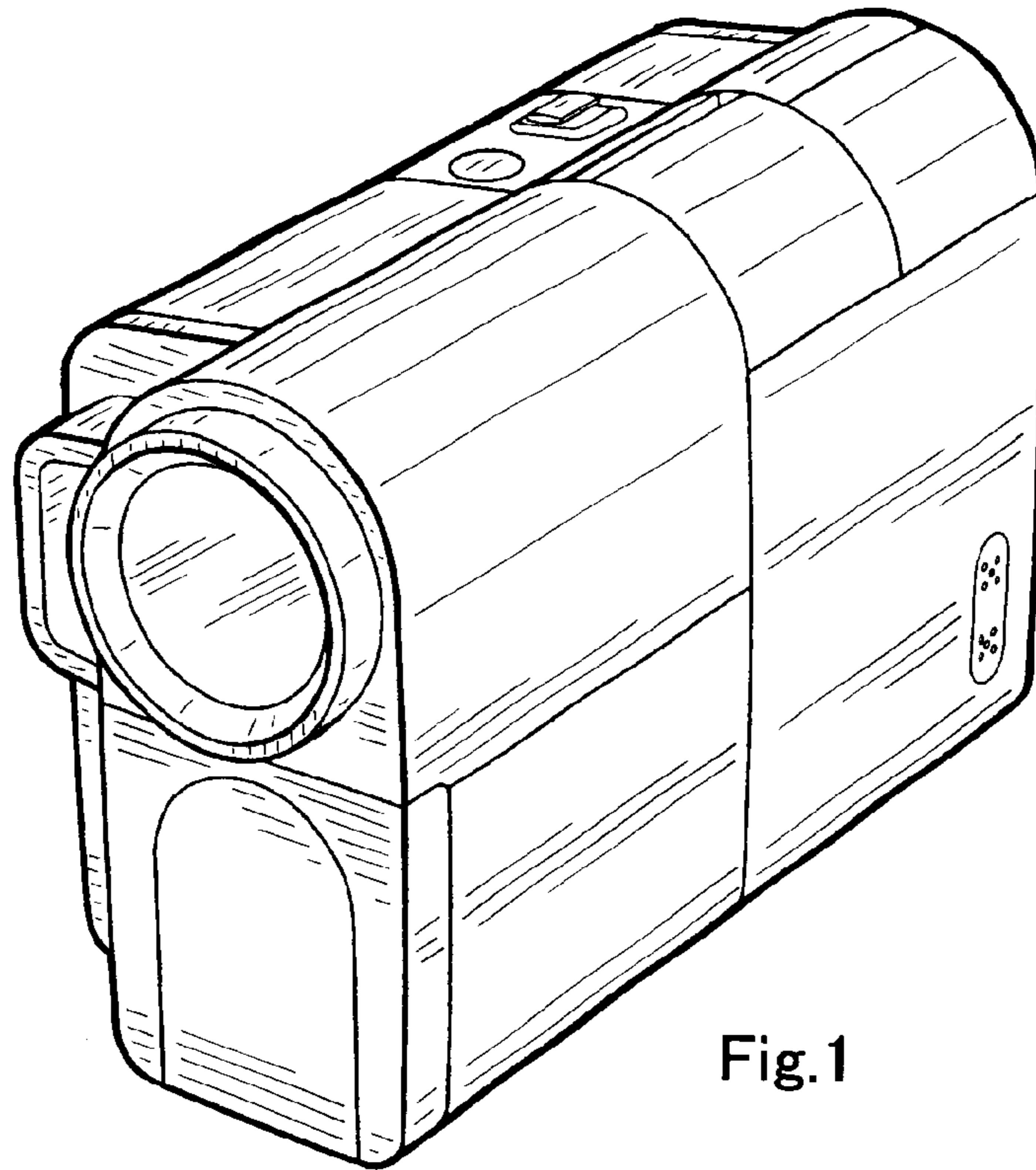


Fig.1

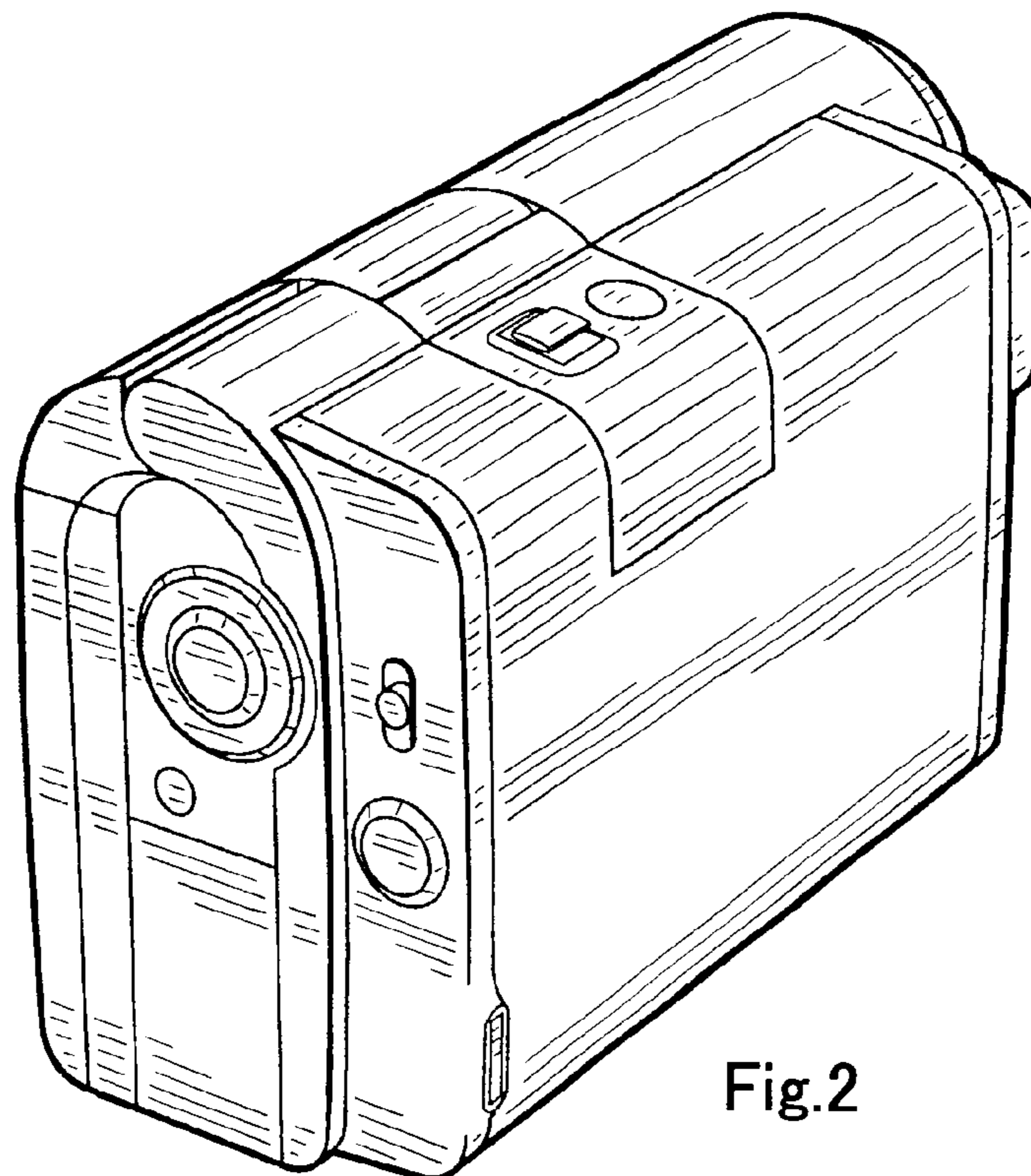


Fig.2

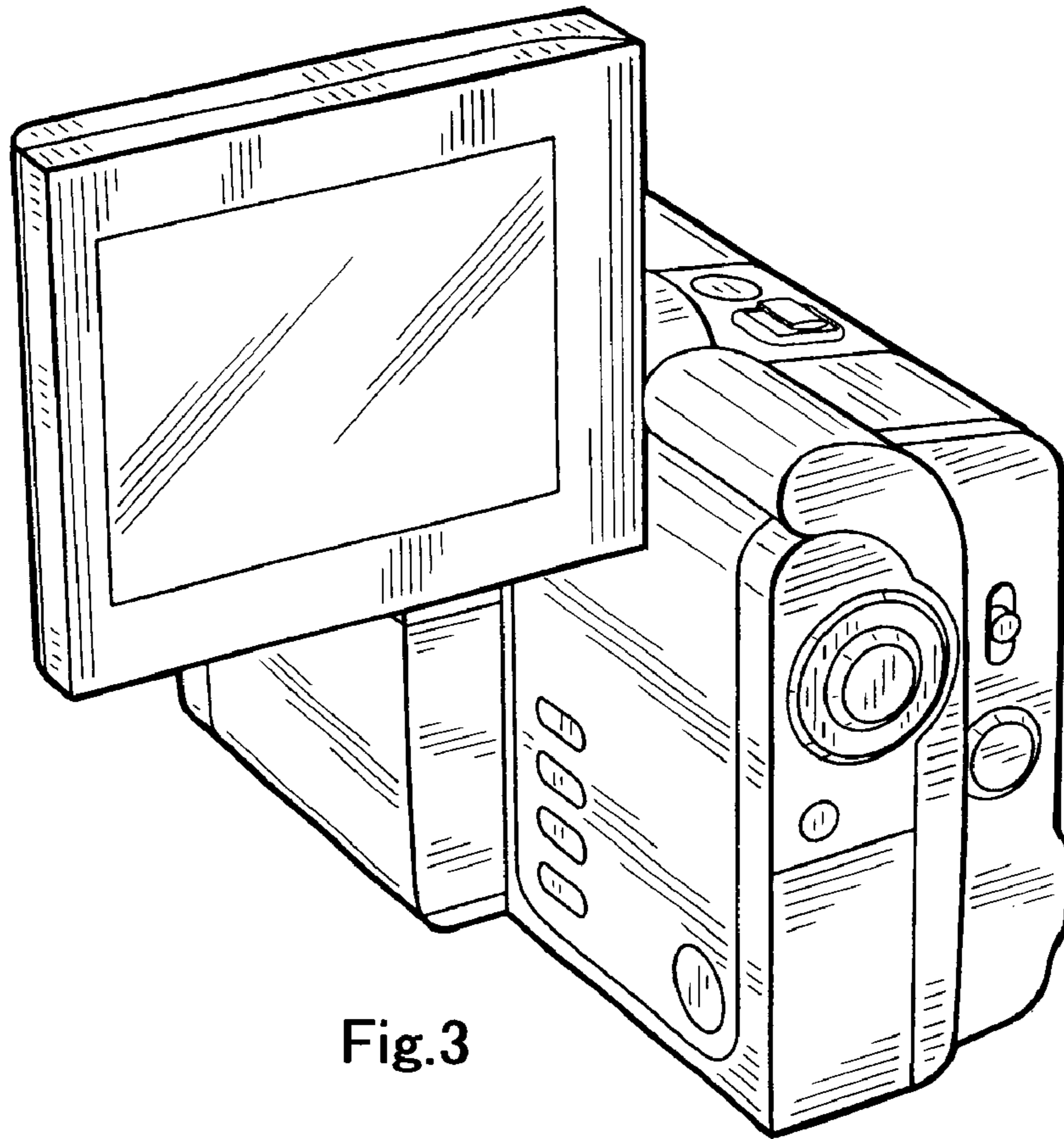


Fig.3

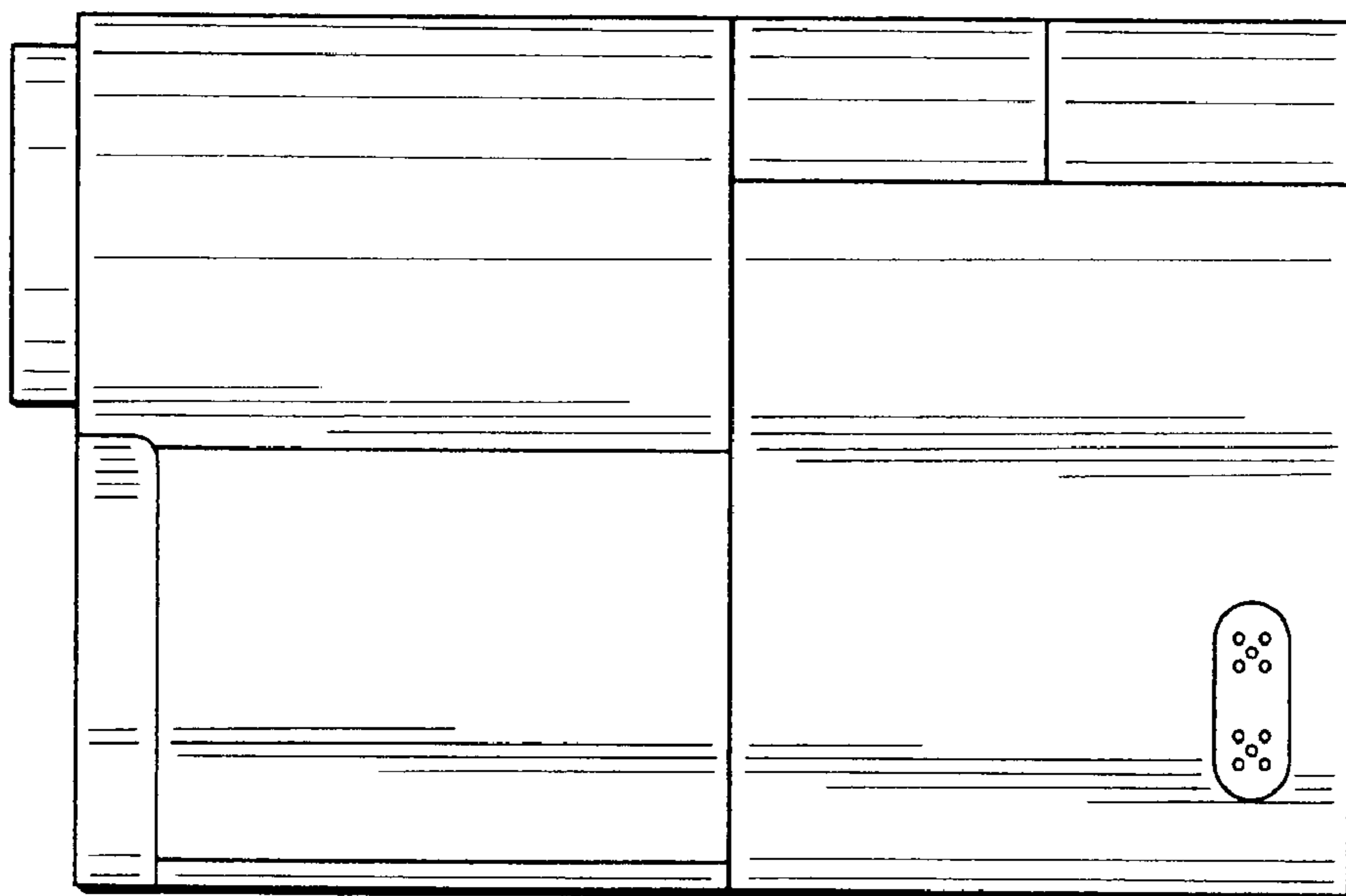


Fig.4

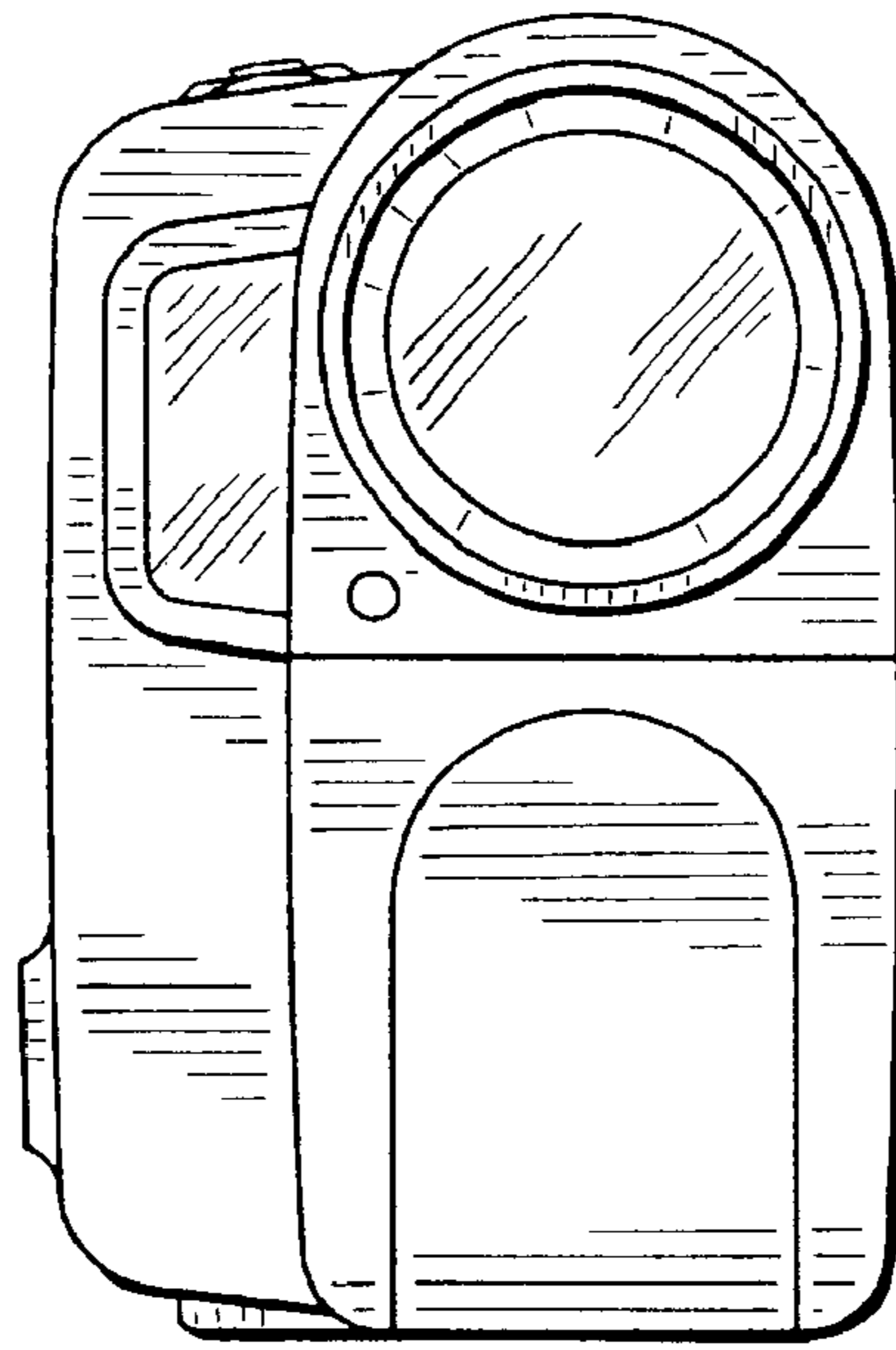


Fig.5

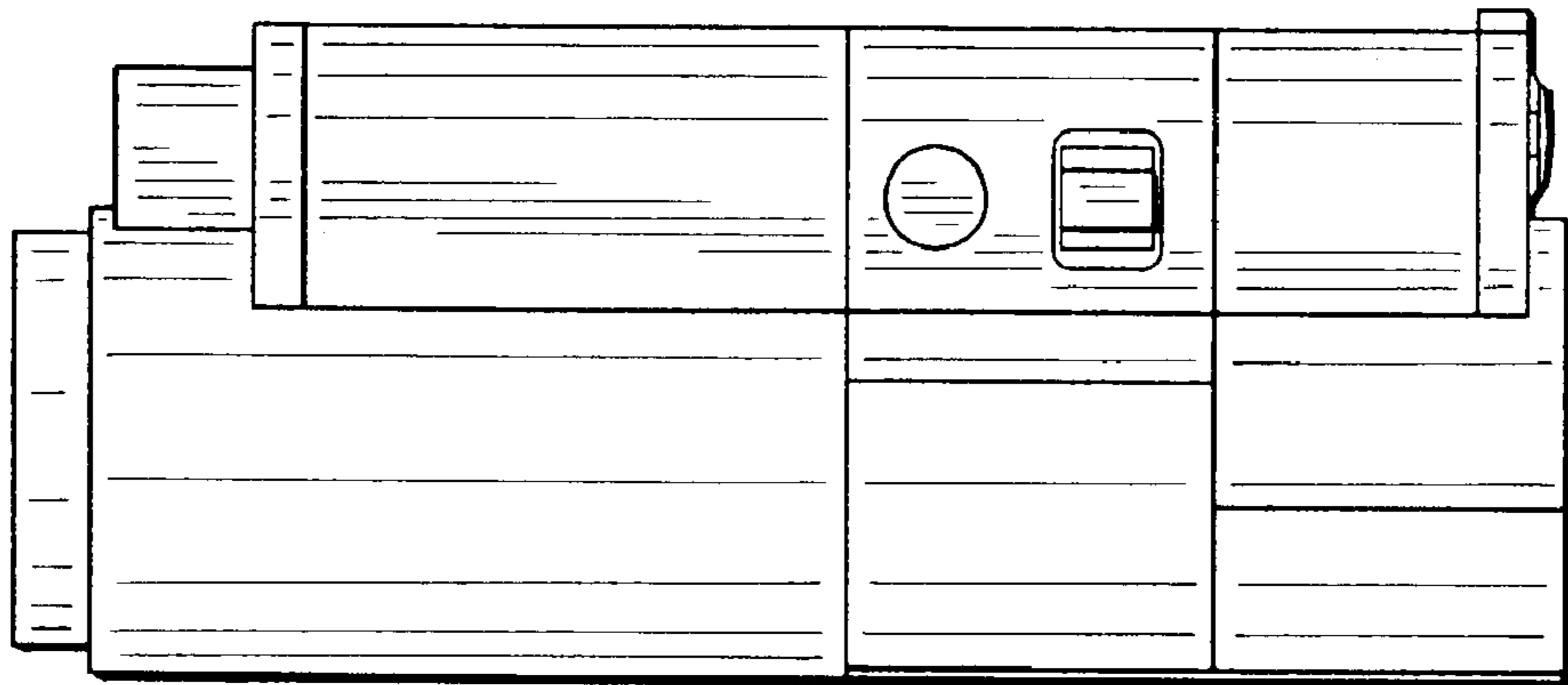


Fig.6

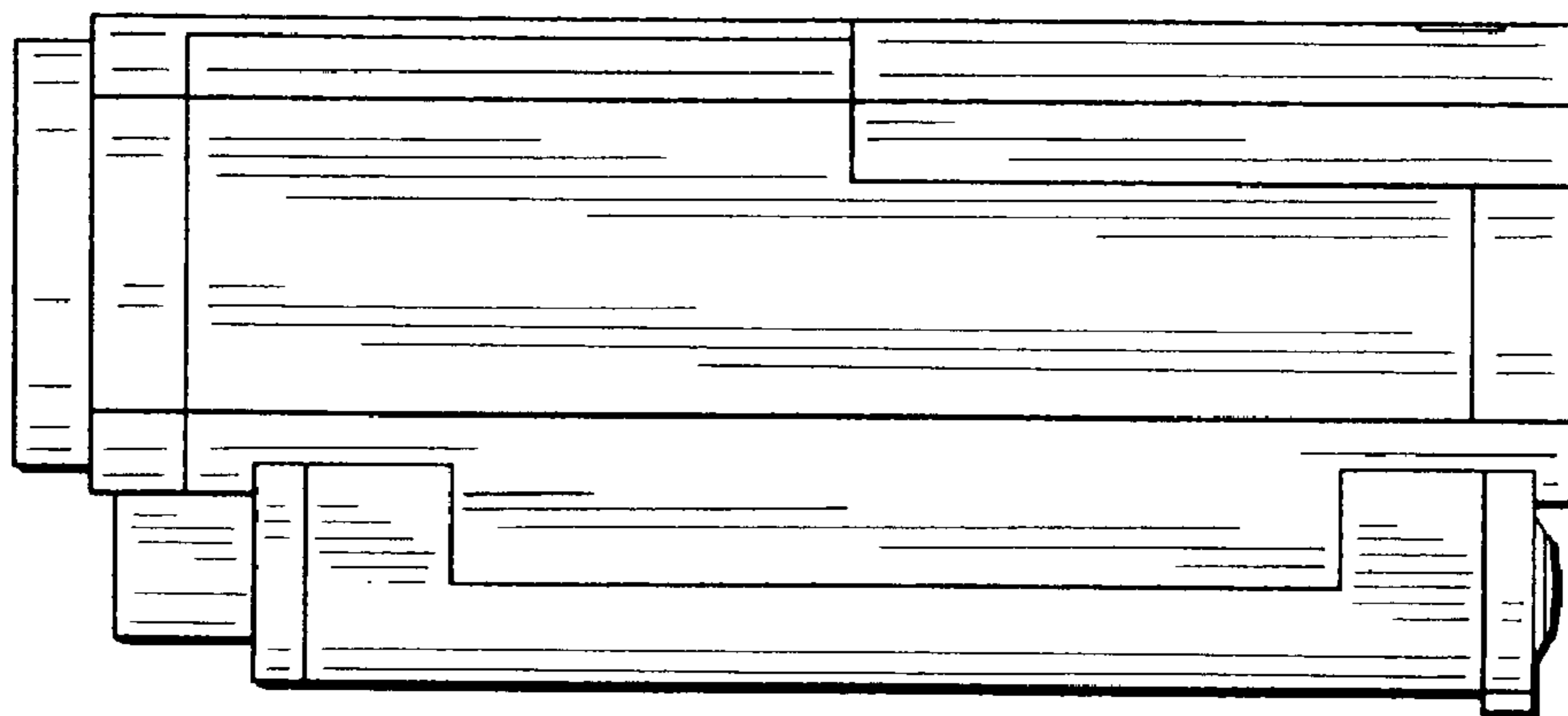


Fig.7

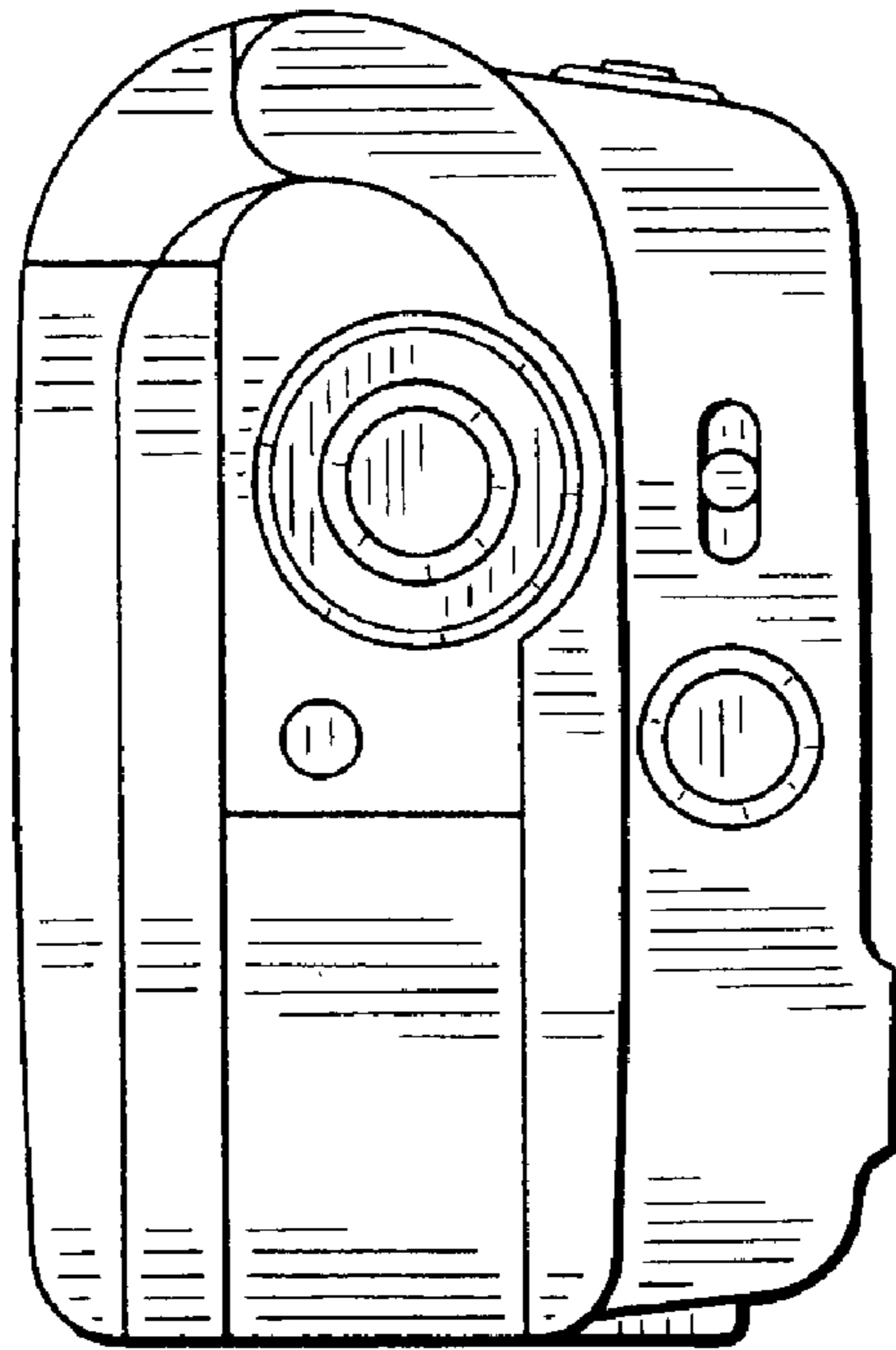


Fig.8

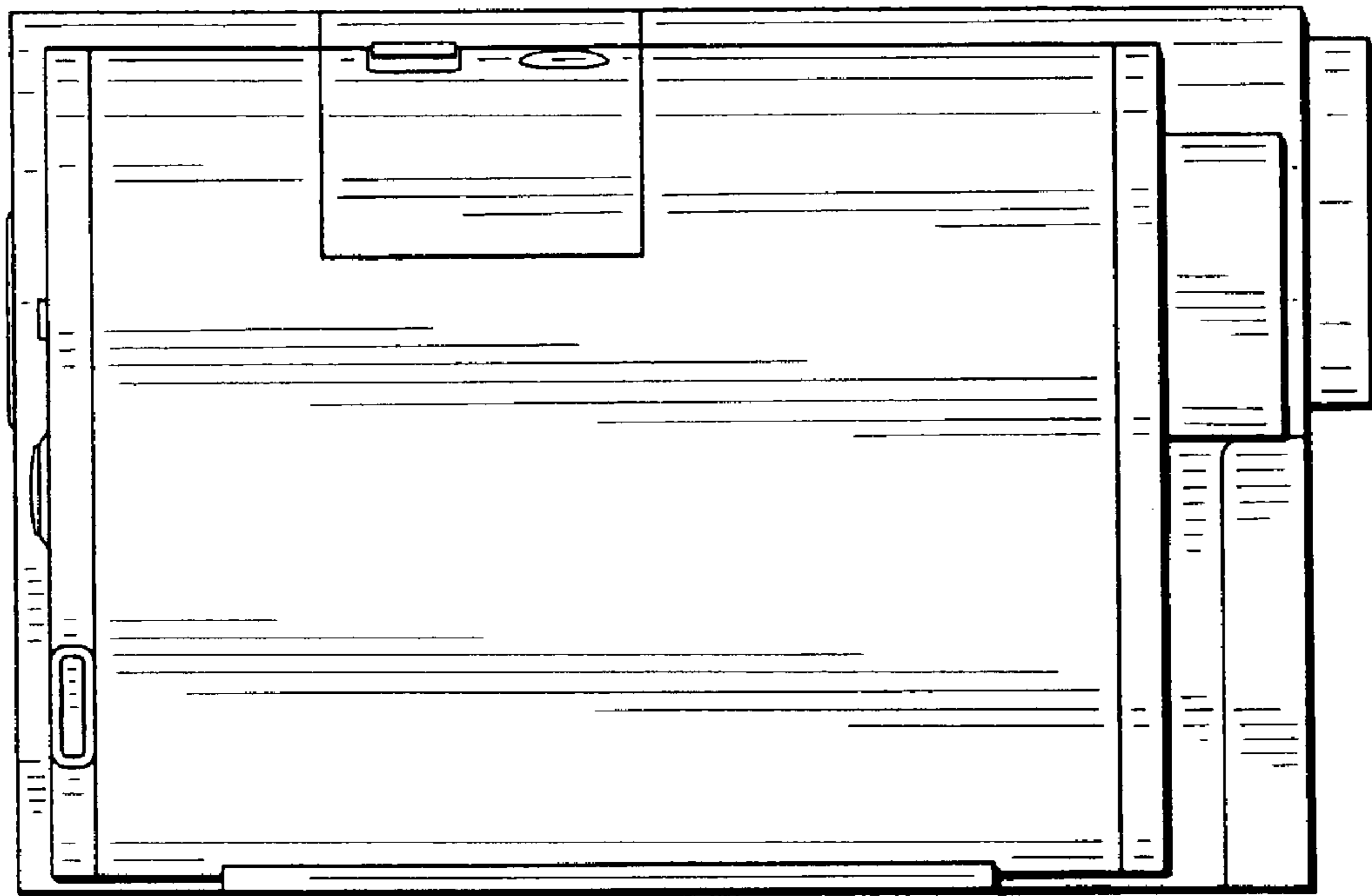


Fig.9

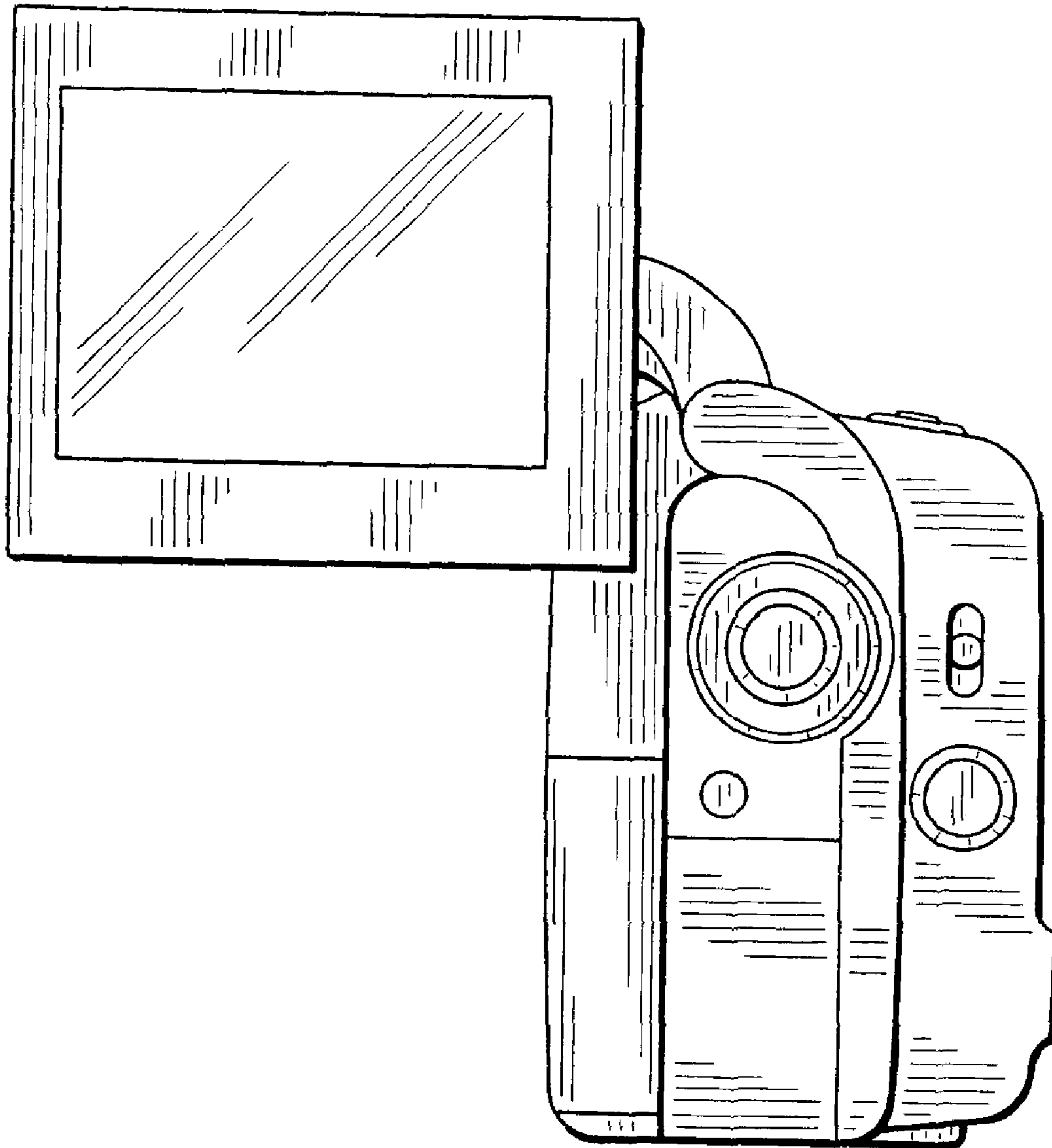


Fig. 10