

US00D524341S

(12) **United States Design Patent**
Nagayama et al.

(10) **Patent No.:** **US D524,341 S**

(45) **Date of Patent:** **** Jul. 4, 2006**

(54) **DIGITAL CAMERA**

D495,352 S * 8/2004 Sakaguchi et al. D16/202
D502,479 S * 3/2005 Nishizawa et al. D16/202
D502,480 S * 3/2005 Nagayama D16/202

(75) Inventors: **Yosuke Nagayama**, Tokyo (JP);
Norihito Hanafusa, Machida (JP)

* cited by examiner

(73) Assignee: **Casio Keisanki Kabushiki Kaisha**,
Tokyo (JP)

Primary Examiner—Adir Aronovich
(74) *Attorney, Agent, or Firm*—Frishauf, Holtz, Goodman
& Chick, P.C.

(**) Term: **14 Years**

(57) **CLAIM**

(21) Appl. No.: **29/222,876**

The ornamental design for a digital camera, as shown and described.

(22) Filed: **Feb. 4, 2005**

(51) **LOC (8) Cl.** **16-01**

(52) **U.S. Cl.** **D16/202; D16/218**

(58) **Field of Classification Search** D16/200–204,
D16/208, 209, 218, 219; 348/373–376; 358/906,
358/909.1; 396/535–541

See application file for complete search history.

DESCRIPTION

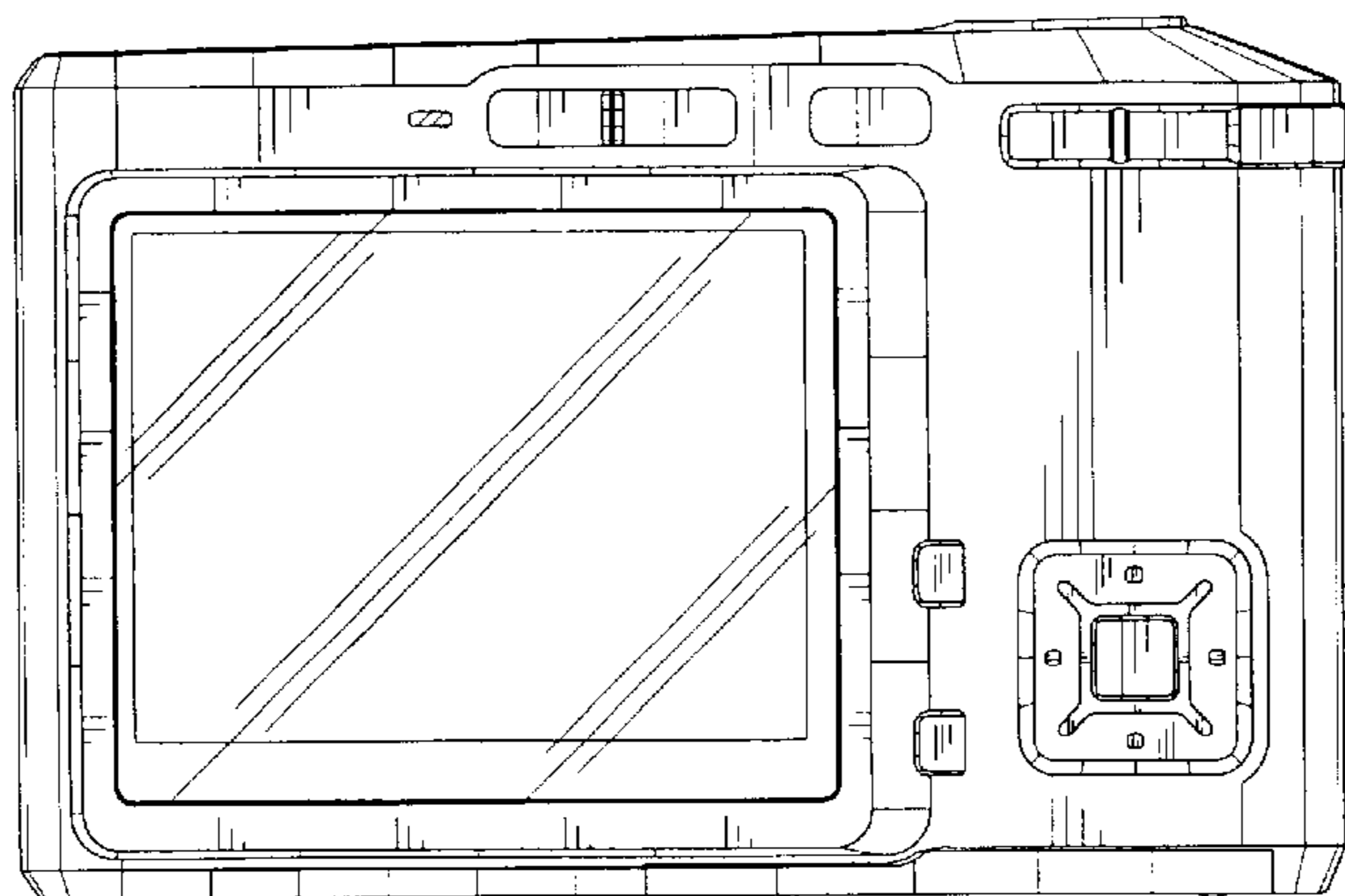
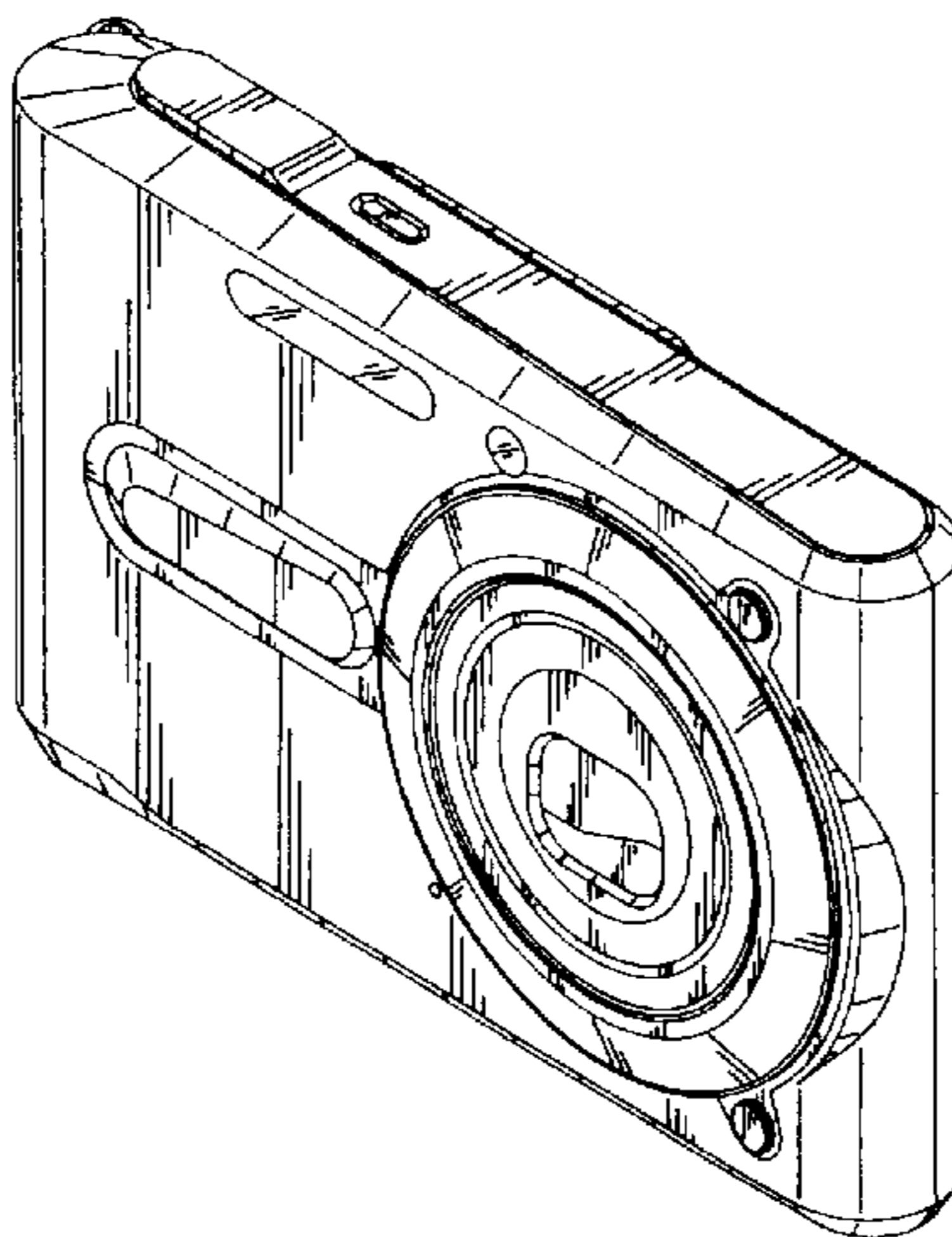
FIG. 1 is a reduced scale front, right side, top perspective view of a digital camera showing our new design;
FIG. 2 is a front elevational view thereof;
FIG. 3 is a rear elevational view thereof;
FIG. 4 is a left side view thereof;
FIG. 5 is a right side view thereof;
FIG. 6 is a top plan view thereof;
FIG. 7 is a bottom plan view thereof; and,
FIG. 8 is a reduced scale front, right side, top perspective view thereof showing the zoom lens extended.

(56) **References Cited**

U.S. PATENT DOCUMENTS

6,434,337 B1 * 8/2002 Misawa 358/909.1
D479,547 S * 9/2003 Nagayama D16/202
D495,350 S * 8/2004 Yoo D16/202

1 Claim, 7 Drawing Sheets



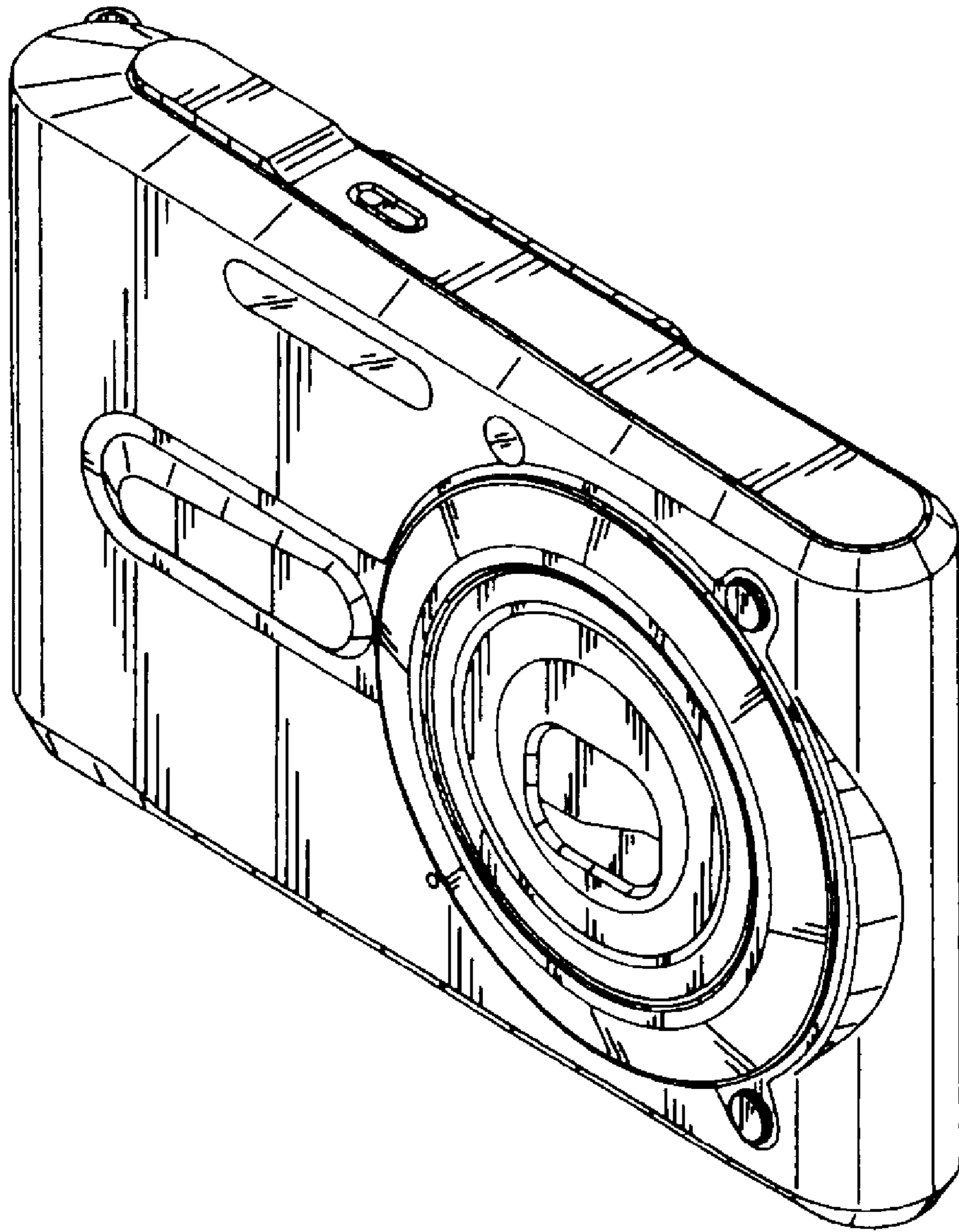


FIG. 1

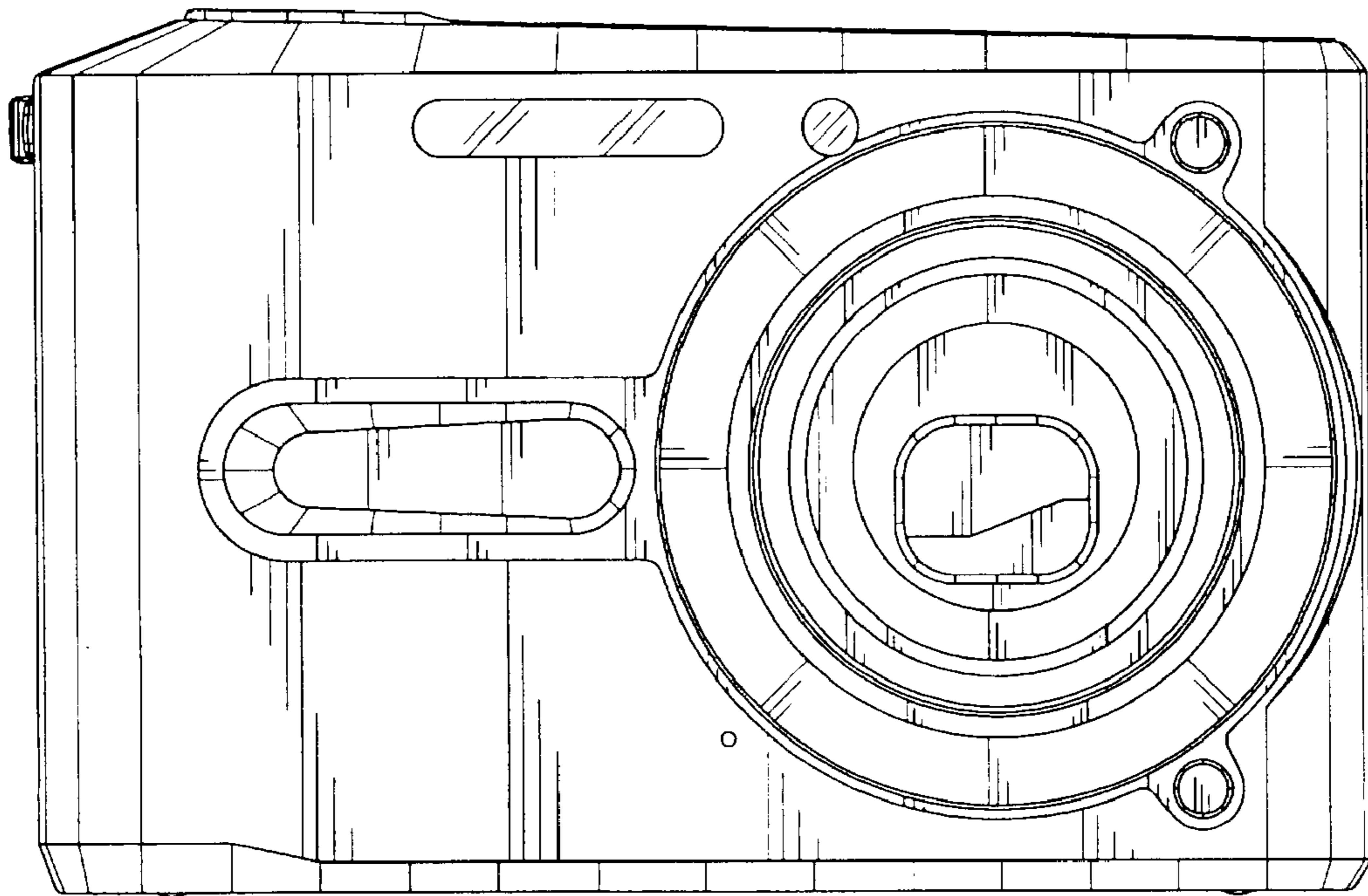


FIG. 2

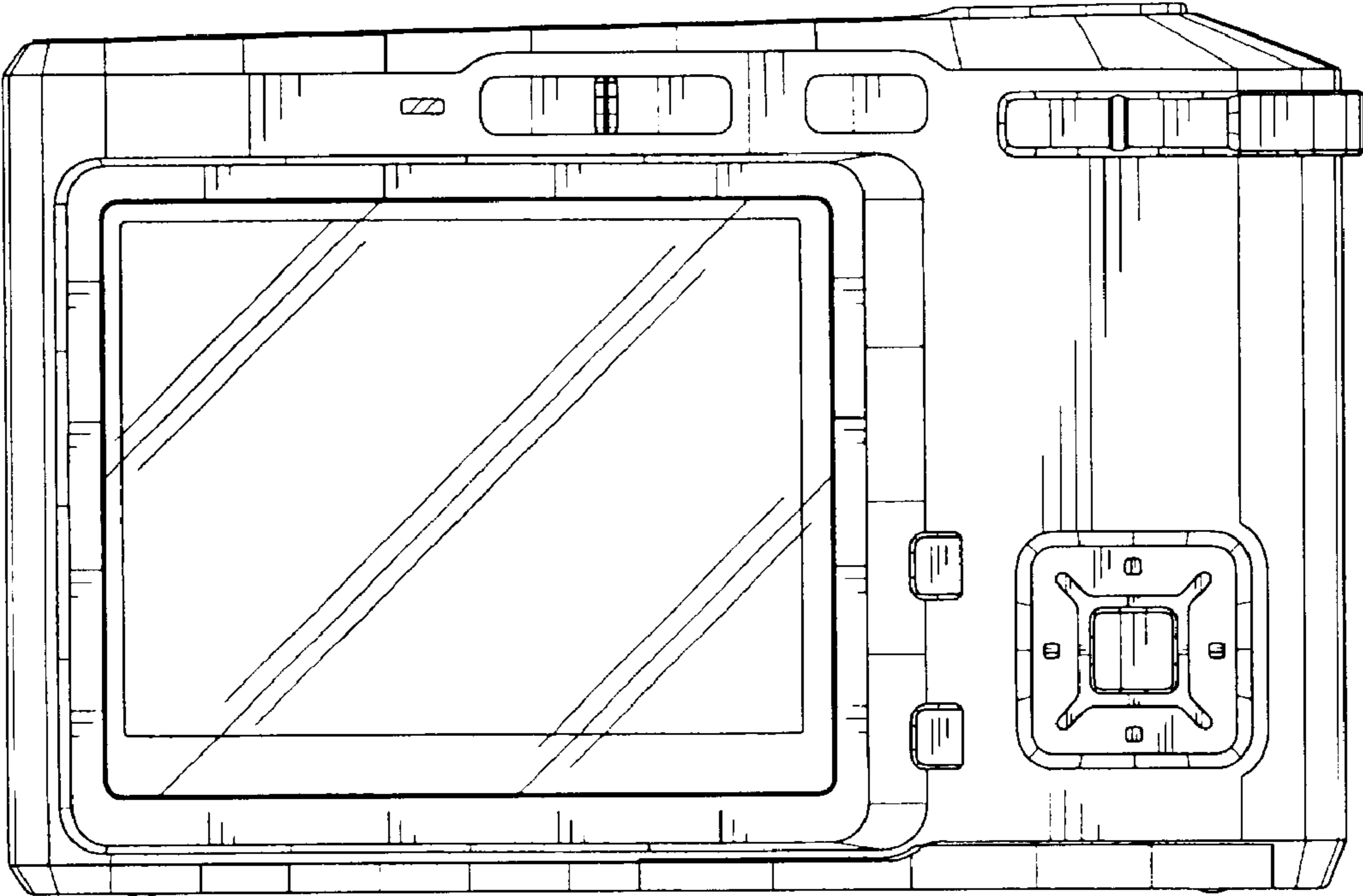


FIG. 3



FIG. 4

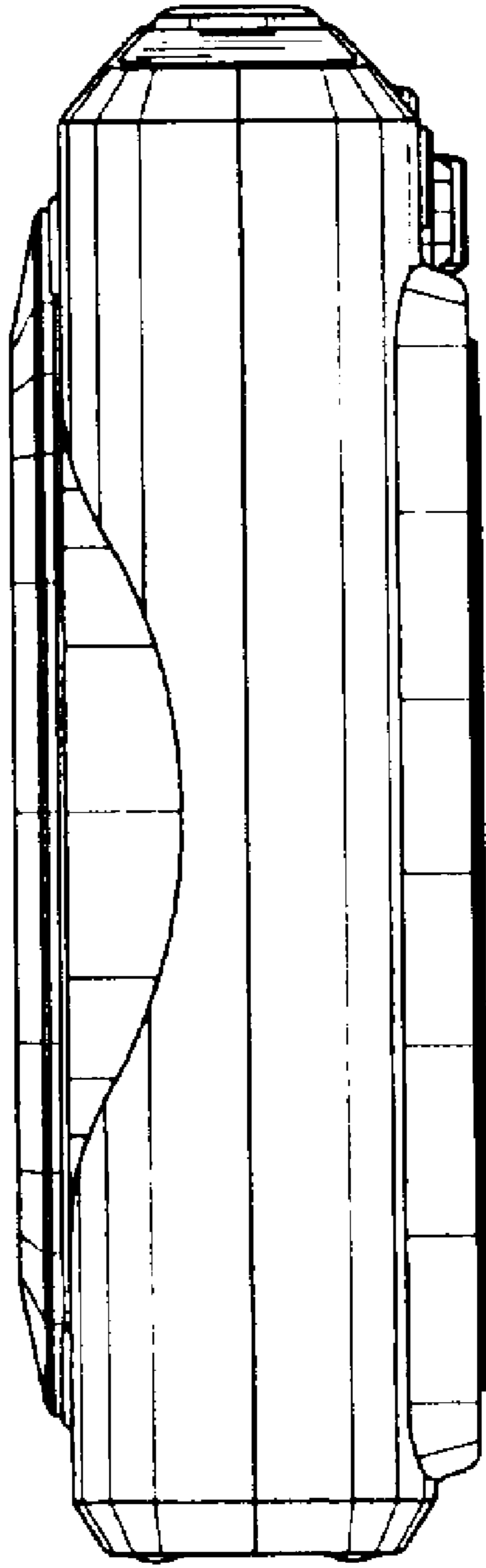


FIG. 5

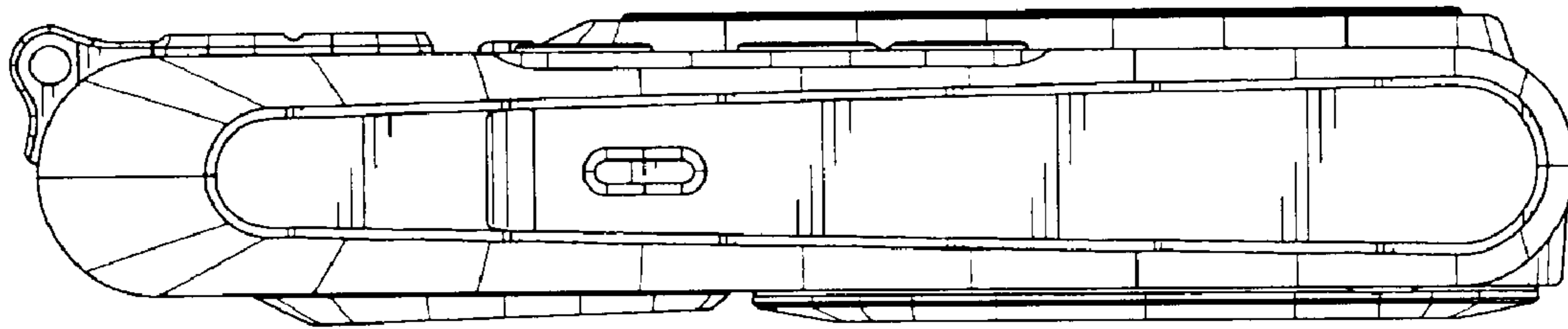


FIG. 6

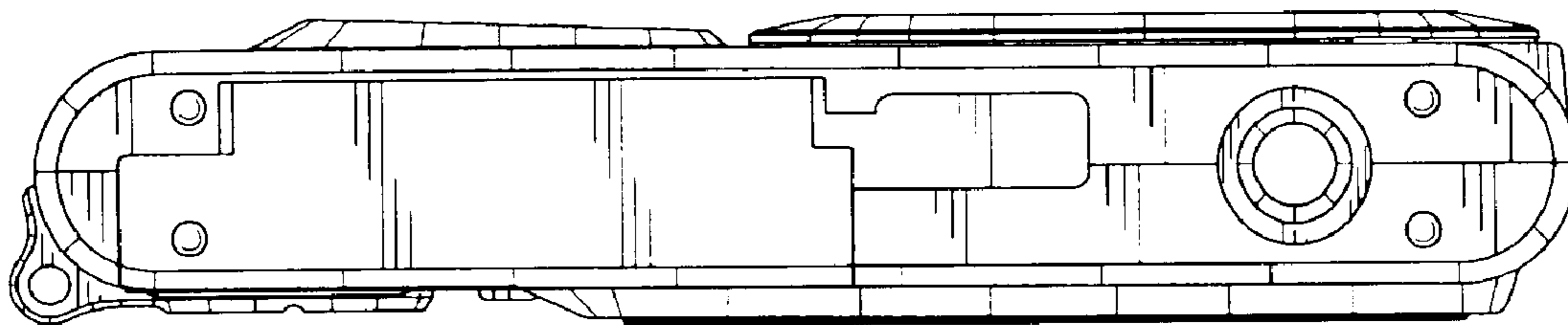


FIG. 7

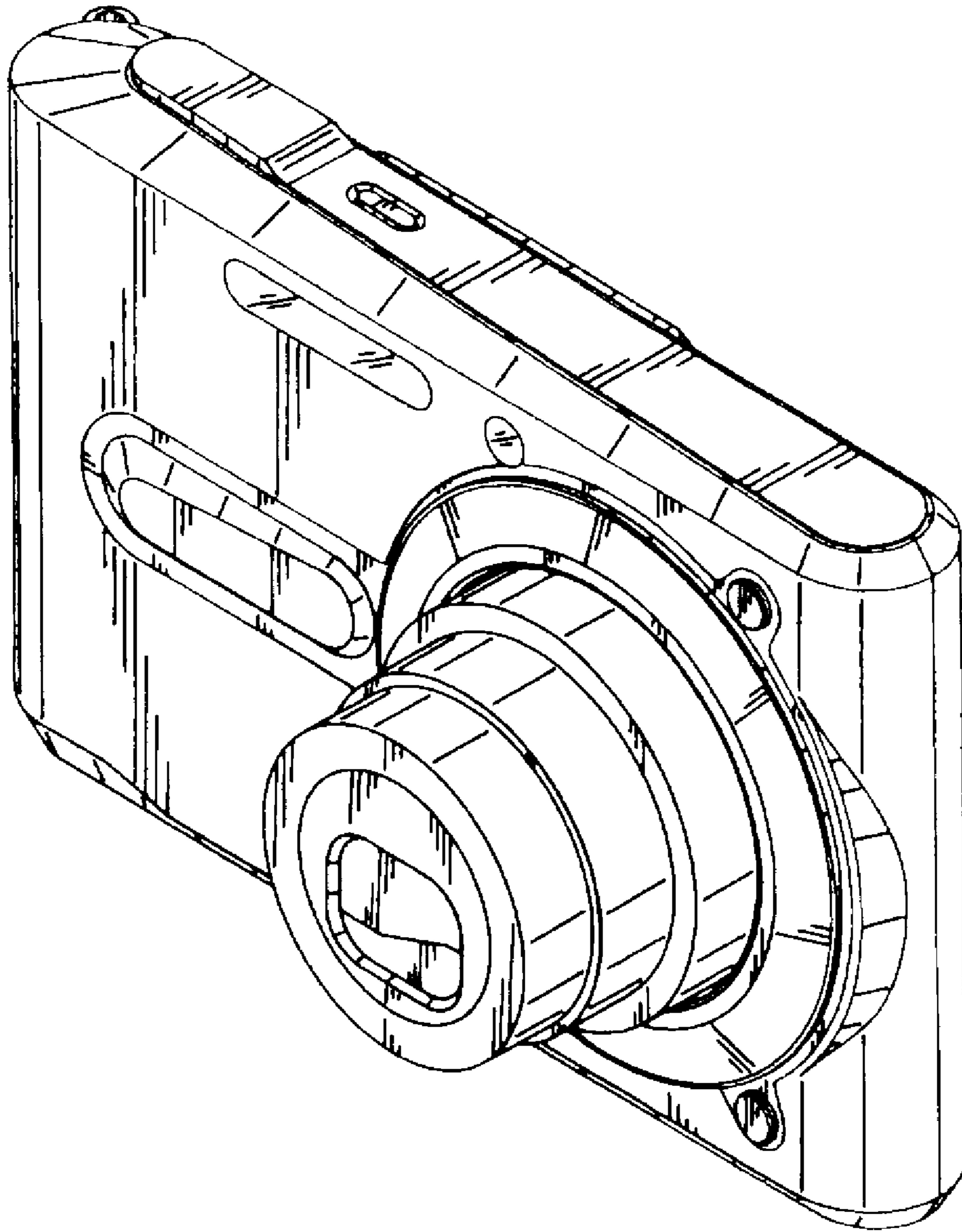


FIG. 8