



US00D524336S

(12) **United States Design Patent**
Conway et al.

(10) **Patent No.:** **US D524,336 S**
(45) **Date of Patent:** **** Jul. 4, 2006**

(54) **TIP ASSEMBLY FOR A PLASMA ARC TORCH**

5,147,997 A * 9/1992 Haberman 219/121.5
5,965,040 A * 10/1999 Luo et al. 219/121.5
D497,373 S * 10/2004 Hewett et al. D15/144
6,946,616 B1 * 9/2005 Kinerson et al. 219/121.49

(75) Inventors: **Christopher J. Conway**, Wilmot, NH (US); **Kevin J. Kinerson**, Corinth, VT (US); **Mark Gugliotta**, Concord, NH (US); **Darrin H. MacKenzie**, Windsor, VT (US)

* cited by examiner

(73) Assignee: **Thermal Dynamics Corporation**, West Lebanon, NH (US)

Primary Examiner—Antoine D. Davis
Assistant Examiner—Patricia Palasik
(74) *Attorney, Agent, or Firm*—Harness, Dickey & Pierce, P.L.C.

(**) Term: **14 Years**

(57) **CLAIM**

(21) Appl. No.: **29/197,675**

The ornamental design for a tip assembly for a plasma arc torch, as shown and described.

(22) Filed: **Jan. 16, 2004**

DESCRIPTION

(51) **LOC (8) Cl.** **15-09**

(52) **U.S. Cl.** **D15/144**

(58) **Field of Classification Search** D15/144–144.2;
219/121.36, 121.48, 121.5, 121.51, 121.52,
219/121.39, 121.59, 74, 75, 121.49; 313/298.21,
313/298.31

FIG. 1 is a perspective view of the tip assembly for a plasma arc torch;
FIG. 2 is a perspective view from the distal end thereof;
FIG. 3 is a perspective view from the proximal end thereof;
FIG. 4 is a side elevation view thereof;
FIG. 5 is a top plan view thereof; and,
FIG. 6 is a bottom plan view thereof.

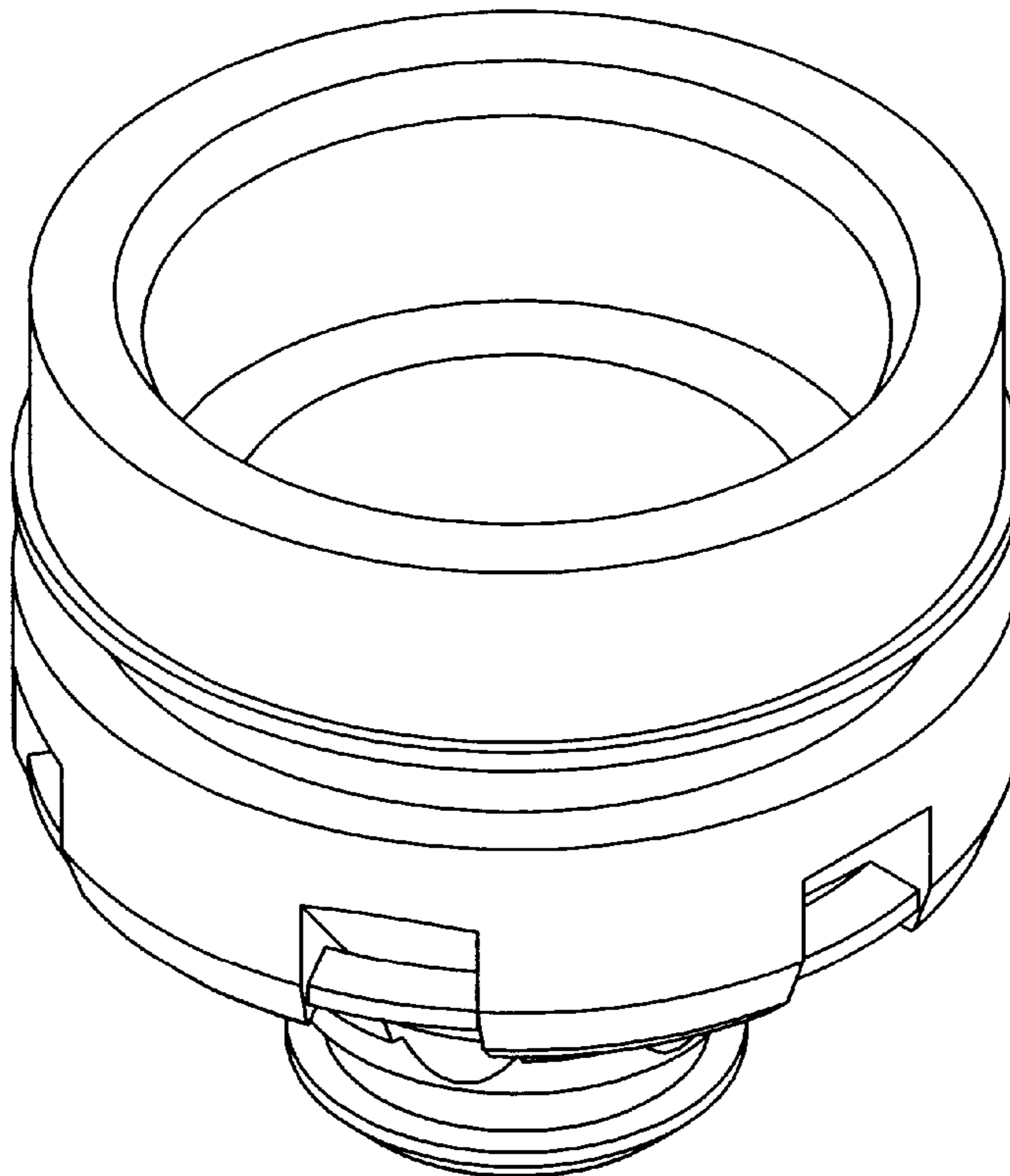
See application file for complete search history.

(56) **References Cited**

U.S. PATENT DOCUMENTS

4,954,683 A * 9/1990 Hatch 219/121.5

1 Claim, 6 Drawing Sheets



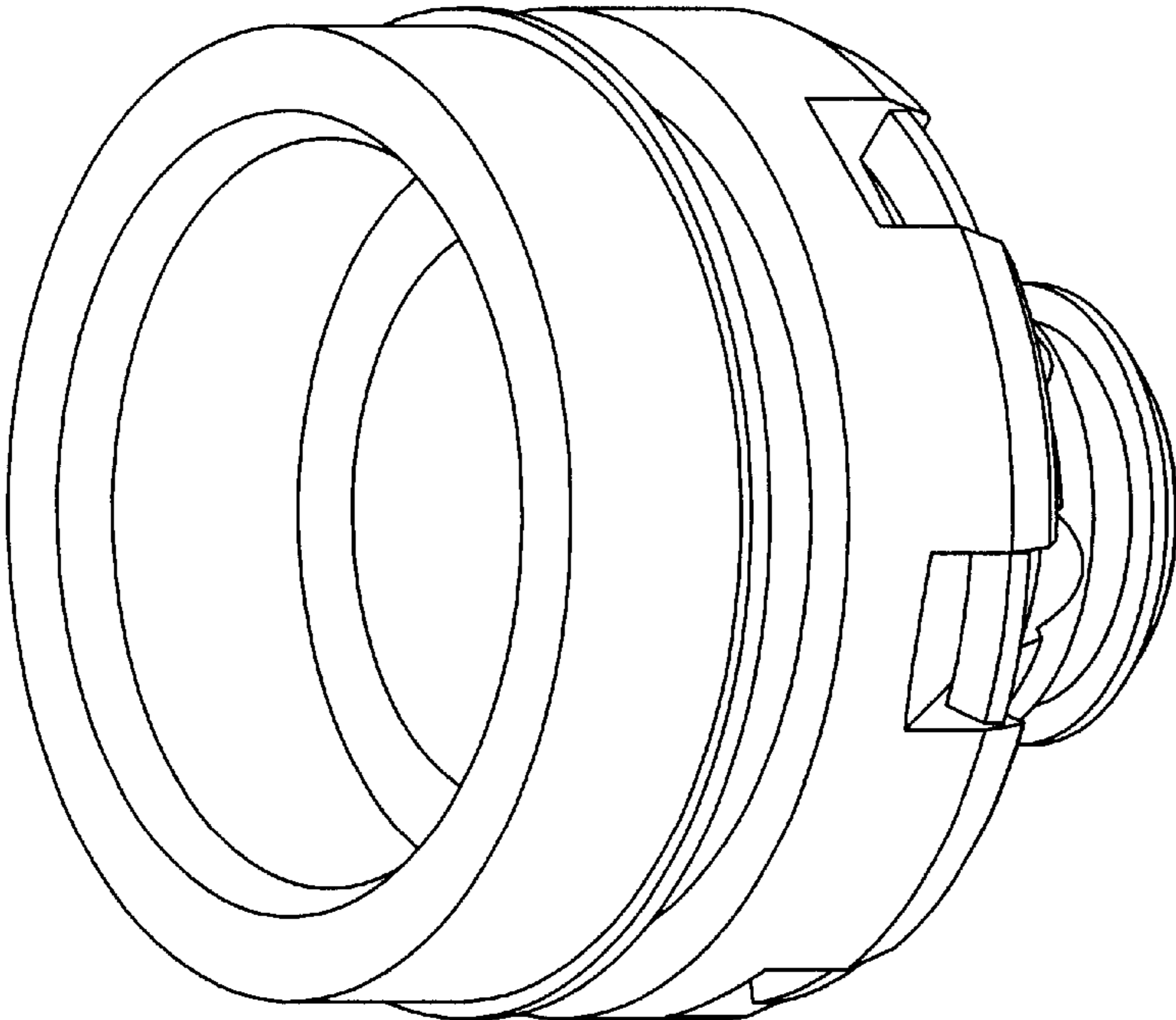


FIG. 1

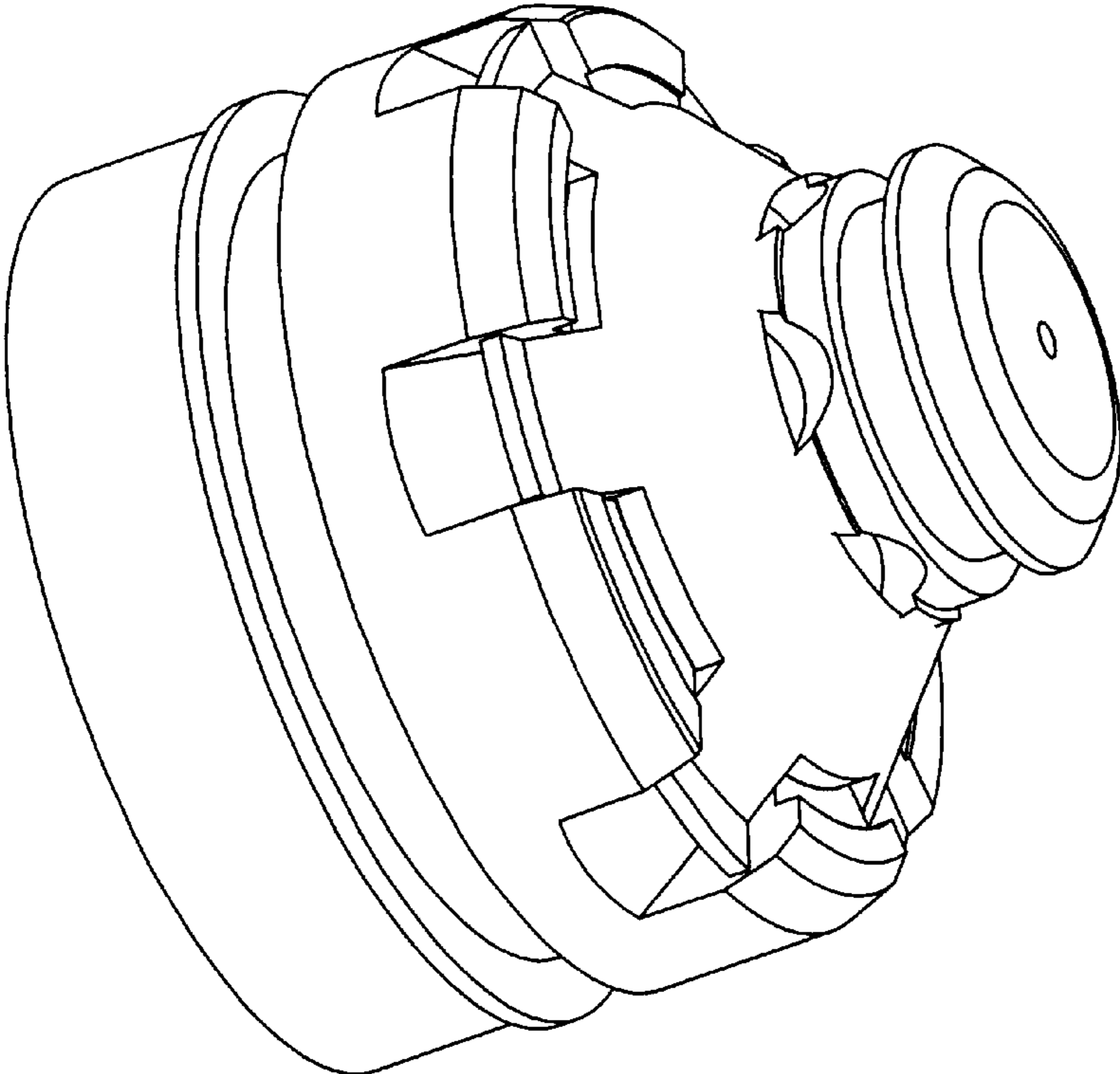


FIG. 2

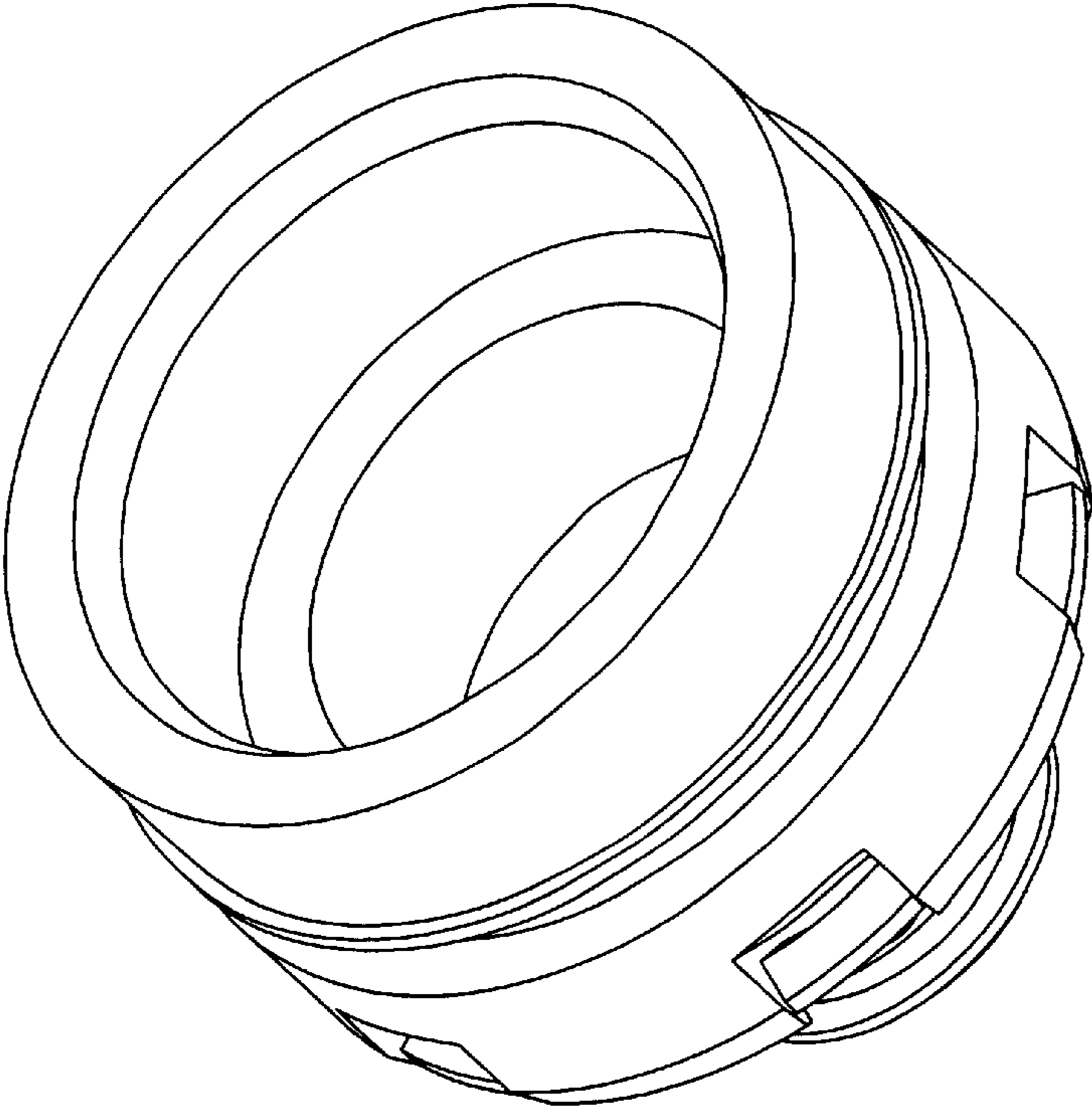


FIG. 3

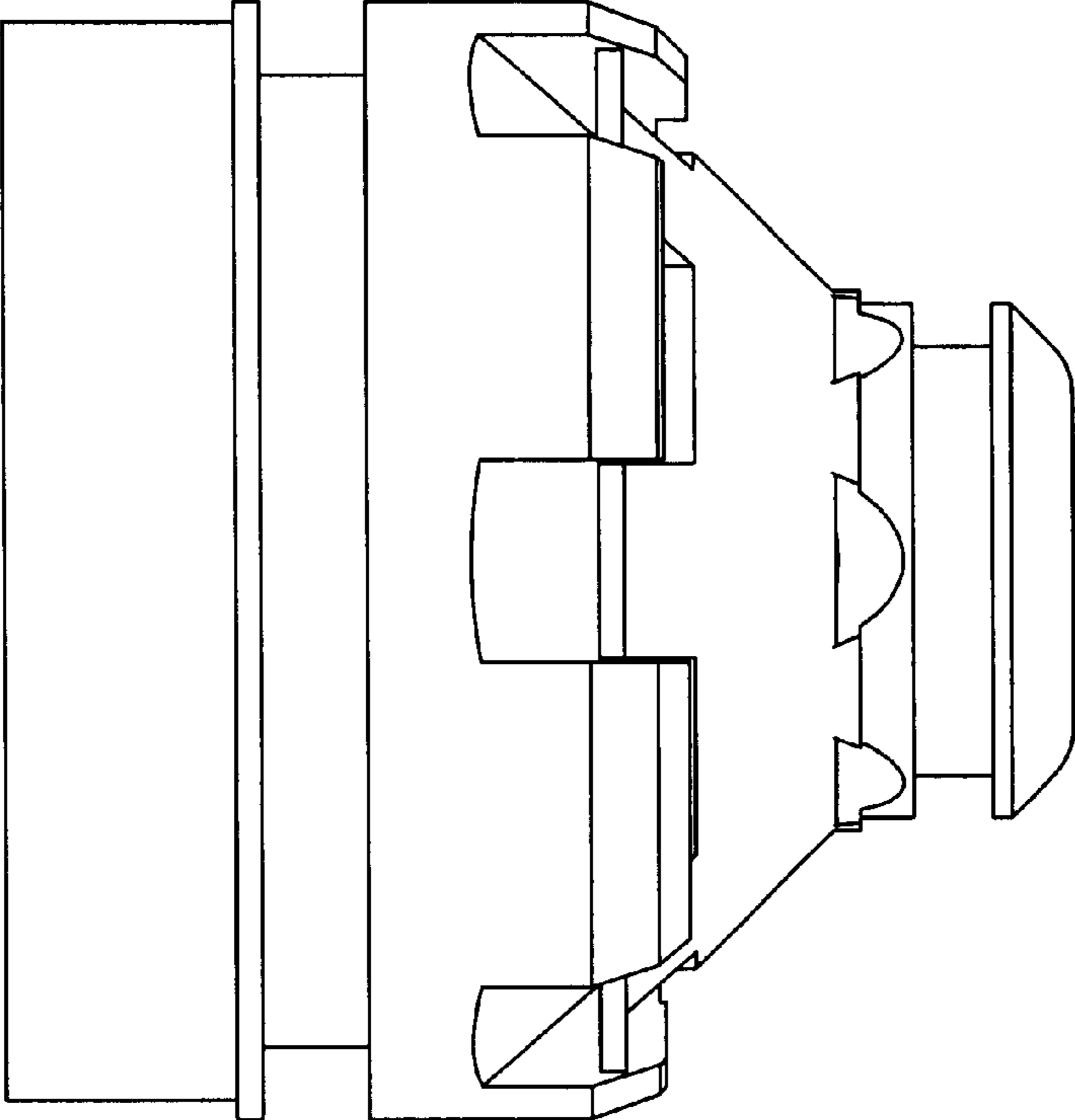


FIG. 4

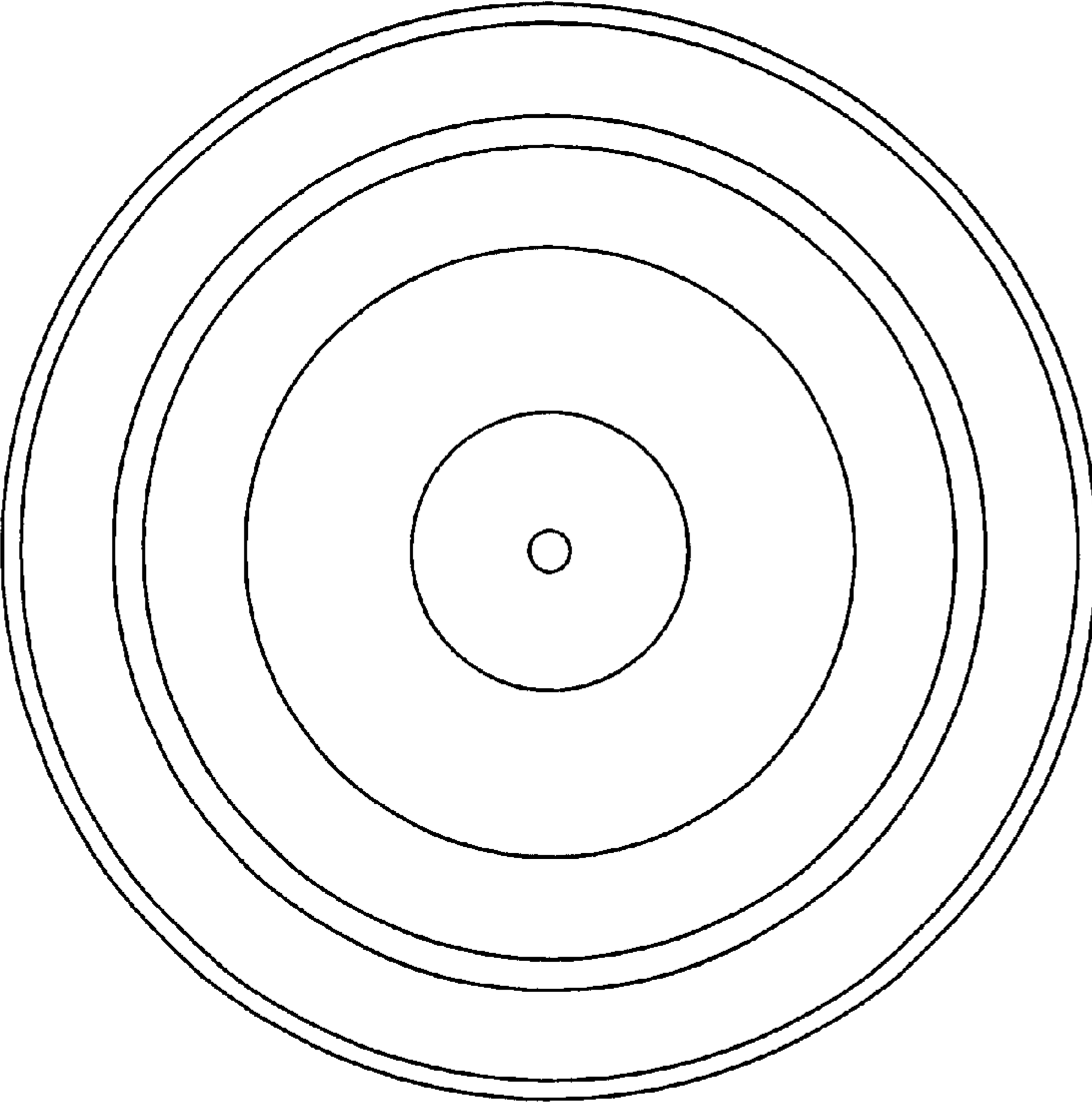


FIG. 5

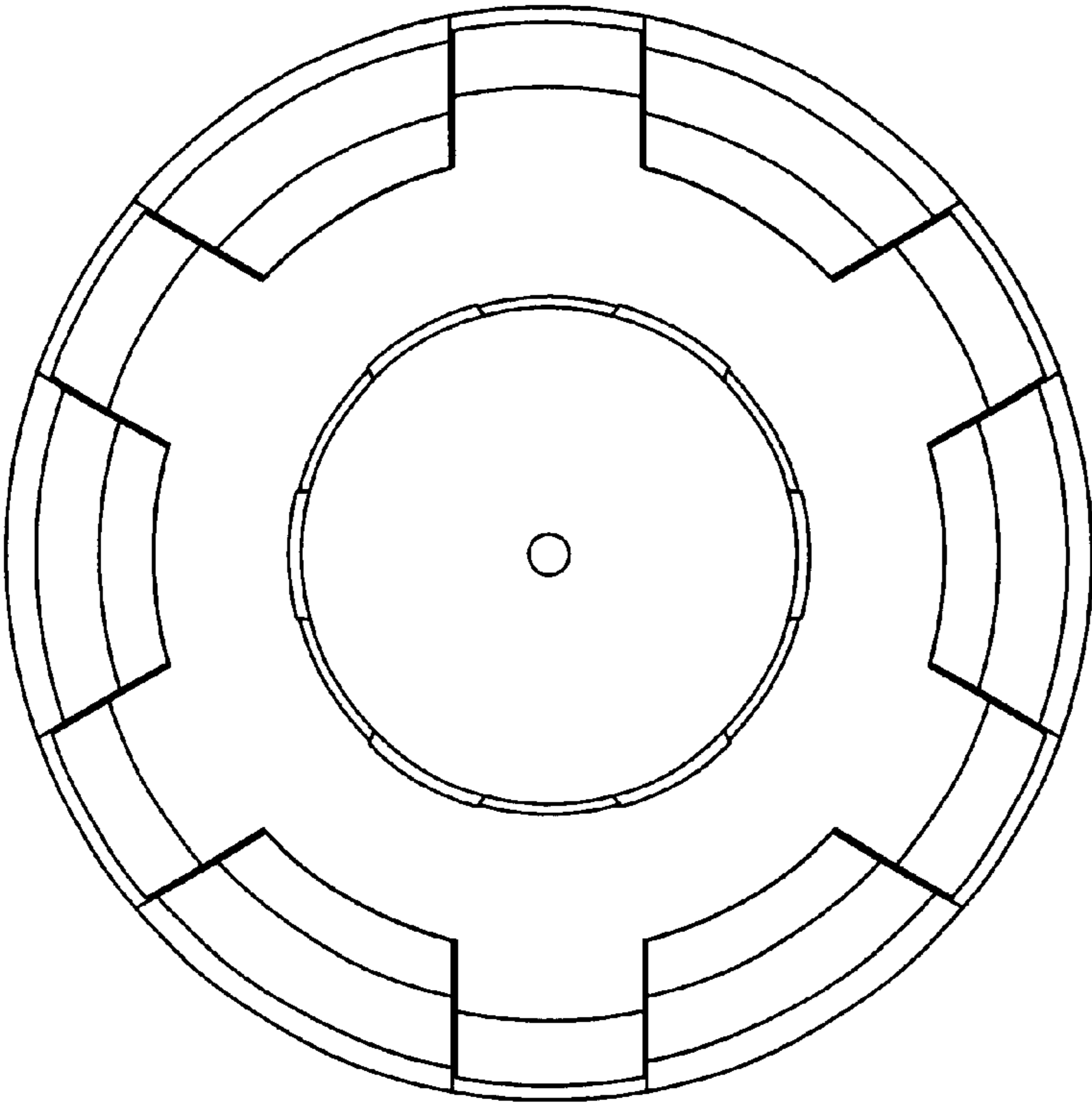


FIG. 6