



US00D524333S

(12) **United States Design Patent**
Brady

(10) **Patent No.:** **US D524,333 S**

(45) **Date of Patent:** **** Jul. 4, 2006**

(54) **HEAVY DUTY HARD ROCK DRILL TOOL**

5,429,199 A 7/1995 Sheirer et al.

(76) Inventor: **William J. Brady**, 1767 Wishingwell Dr., Creve Coeur, MO (US) 63141

6,044,920 A 4/2000 Massa et al.

D424,579 S 5/2000 Brady

D430,578 S 9/2000 Brady

D487,753 S 3/2004 Brady

(**) Term: **14 Years**

Primary Examiner—Antoine D. Davis

(21) Appl. No.: **29/204,245**

(57) **CLAIM**

(22) Filed: **Apr. 27, 2004**

The ornamental design for a heavy duty hard rock drill tool, as shown.

(51) **LOC (8) Cl.** **15-09**

(52) **U.S. Cl.** **D15/139**

(58) **Field of Classification Search** D15/139;
175/377, 378, 339, 393, 420.1, 429, 430;
299/79.1

DESCRIPTION

See application file for complete search history.

FIG. 1 is a side elevational view of a heavy duty hard rock drill tool illustrating the invention, the opposite side being a mirror image;

FIG. 2 is a top plan view of the drill tool;

FIG. 3 is a bottom view of the drill tool;

FIG. 4 is another side elevational view of the drill tool, as rotated 90° from the FIG. 1 view, and the opposite side of the FIG. 4 view being a mirror image thereof; and

FIG. 5 is a perspective view of the drill tool.

(56) **References Cited**

U.S. PATENT DOCUMENTS

3,163,246 A 12/1964 Vagins et al.

D340,248 S 10/1993 Brady

D351,174 S 10/1994 Brady

1 Claim, 2 Drawing Sheets

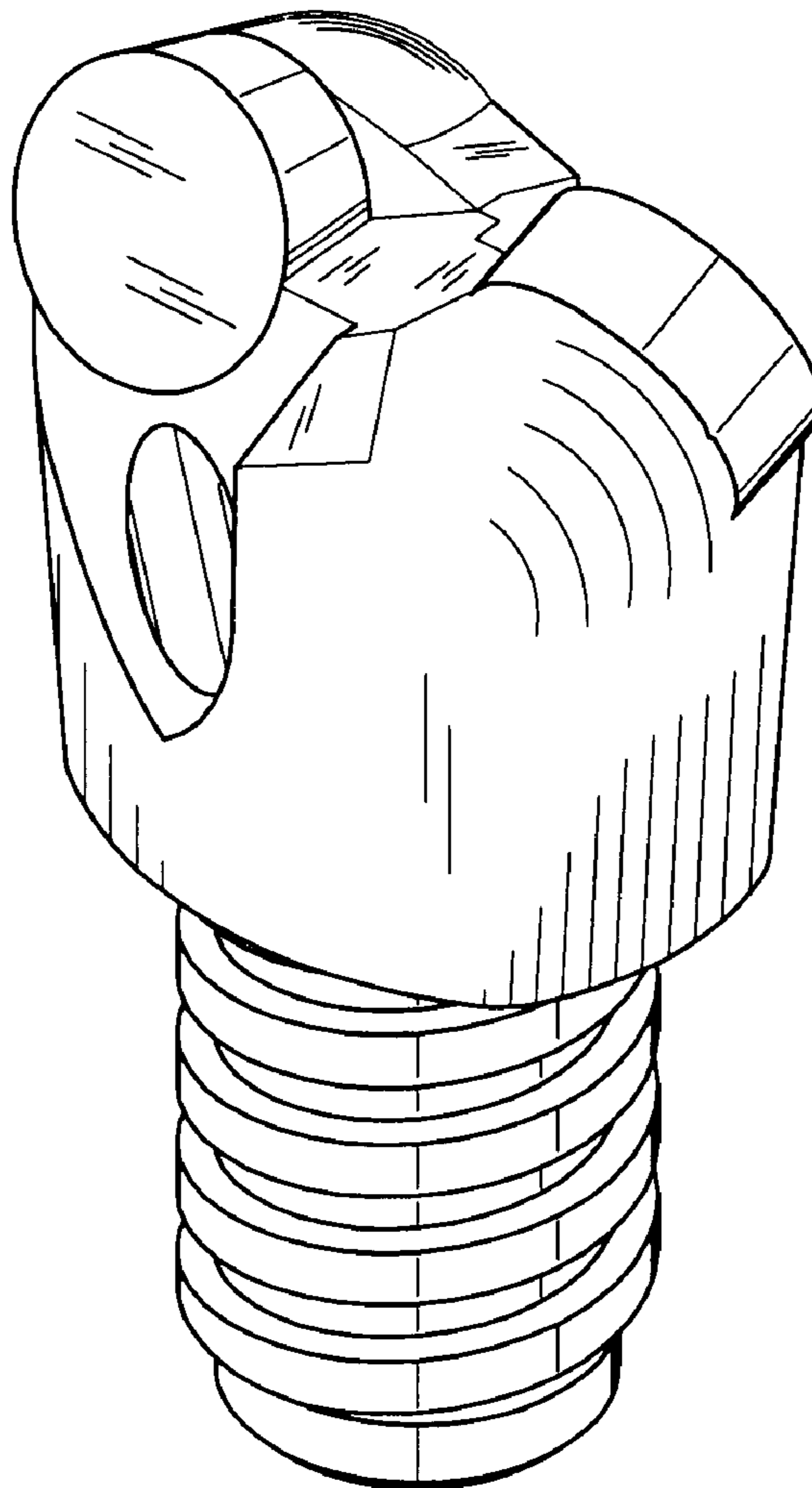


FIG. 1

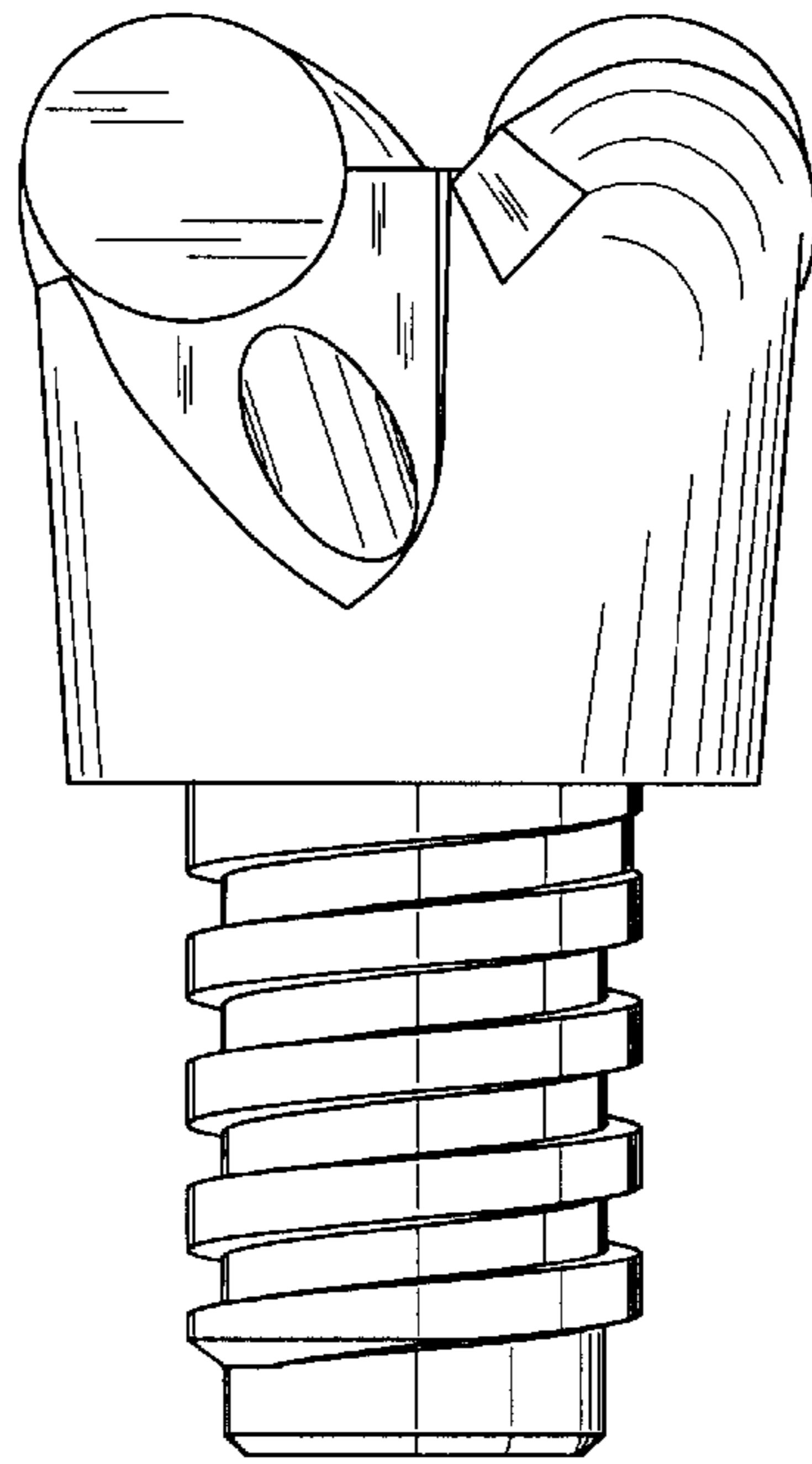


FIG. 2

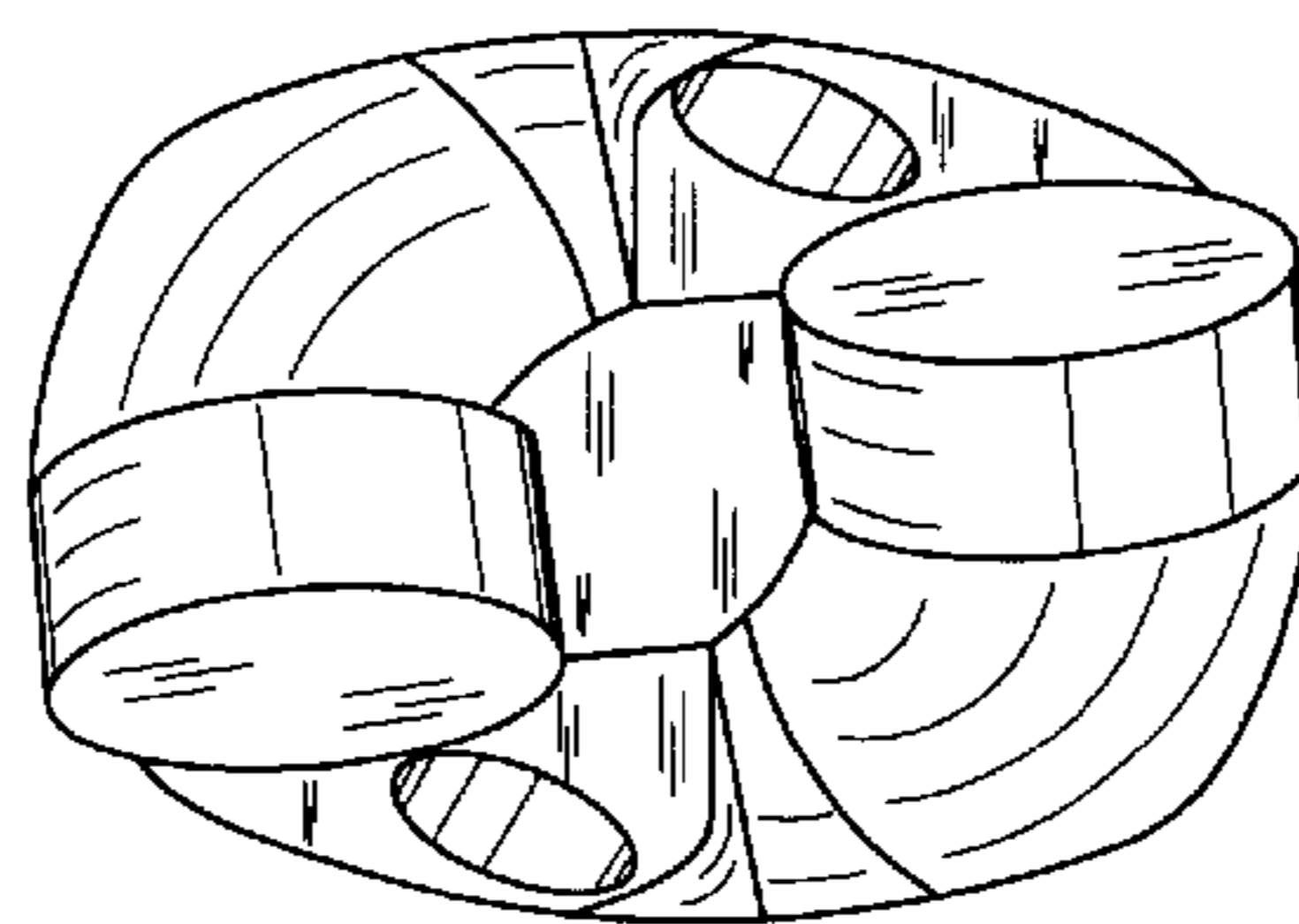


FIG. 3

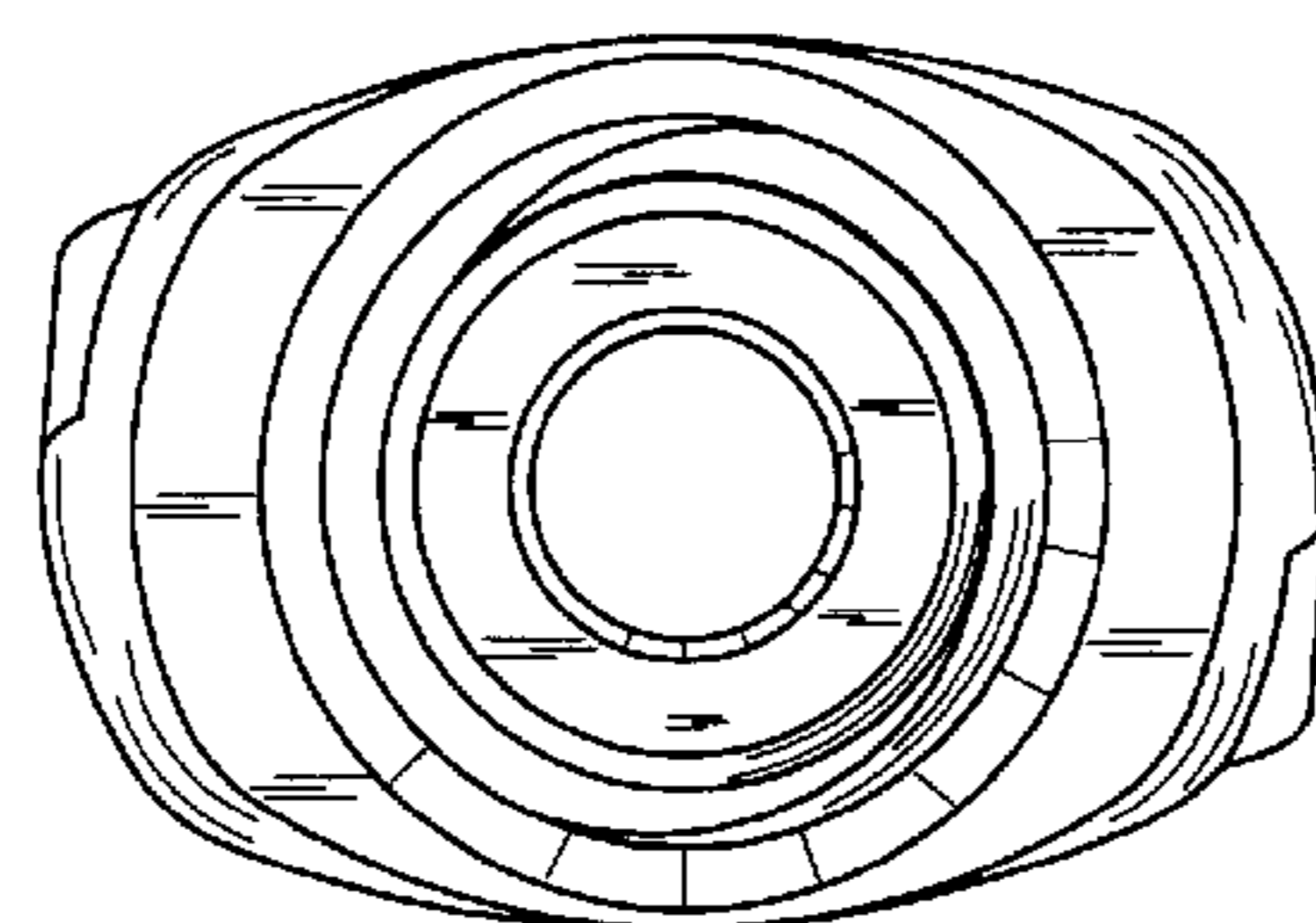


FIG. 4

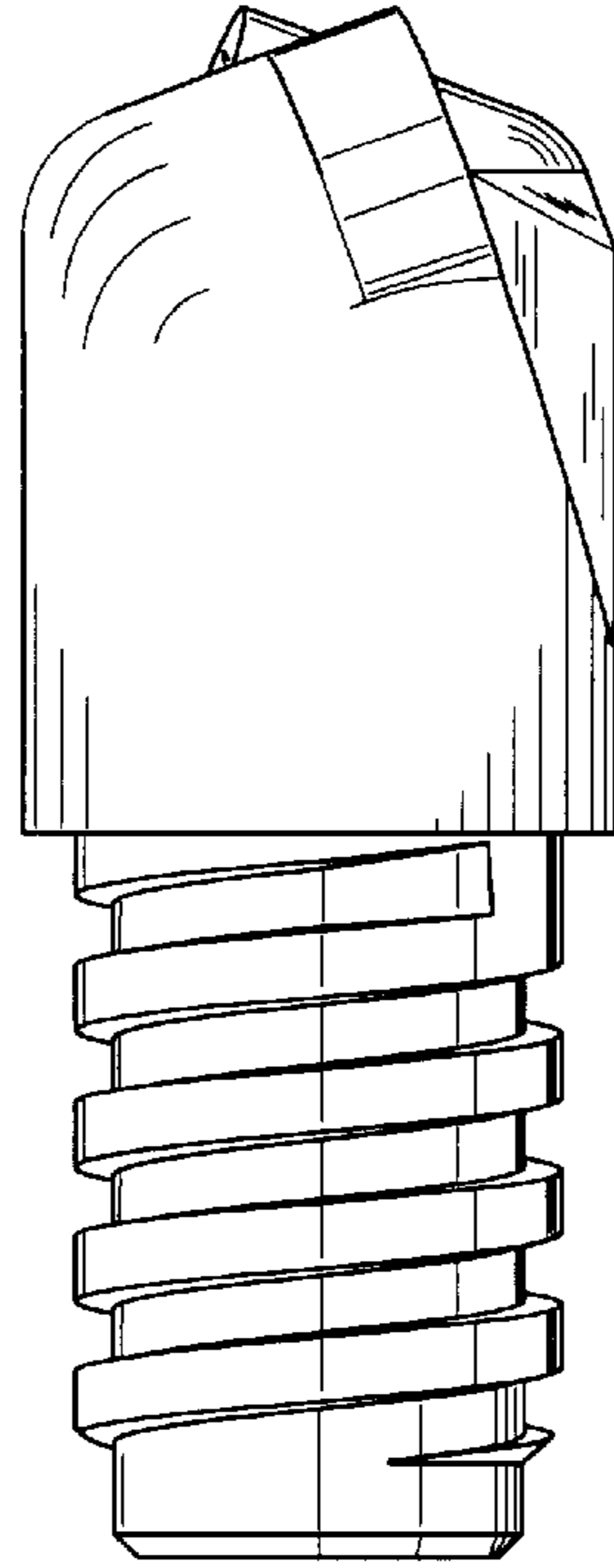


FIG. 5

