



US00D524331S

(12) **United States Design Patent**  
**Kim et al.**

(10) **Patent No.:** **US D524,331 S**

(45) **Date of Patent:** **\*\* Jul. 4, 2006**

(54) **REFRIGERATOR**

(75) Inventors: **Jeong Min Kim**, Seoul (KR); **Yun Ho Yang**, Seoul (KR)

(73) Assignee: **Samsung Electronics Co., Ltd.** (KR)

(\*\*) Term: **14 Years**

(21) Appl. No.: **29/234,145**

(22) Filed: **Jul. 14, 2005**

(30) **Foreign Application Priority Data**

May 11, 2005 (KR) ..... 30-2005-0015732

(51) **LOC (8) Cl.** ..... **15-07**

(52) **U.S. Cl.** ..... **D15/85**

(58) **Field of Classification Search** ..... D15/79,  
D15/81, 85, 86; 62/3.1, 3.6, 3.63, 3.64, 389-400,  
62/440, 441, 467, 531; 312/236, 352, 400-405  
See application file for complete search history.

(56) **References Cited**

**U.S. PATENT DOCUMENTS**

- D210,560 S \* 3/1968 Kennedy ..... D15/86
- 5,568,712 A \* 10/1996 Jenkins et al. .... 312/405
- 5,909,937 A \* 6/1999 Jenkins et al. .... 312/400
- D415,504 S \* 10/1999 Han ..... D15/85
- 6,055,823 A \* 5/2000 Baker et al. .... 62/441
- D449,625 S \* 10/2001 Yu ..... D15/81

- D467,597 S \* 12/2002 Min et al. .... D15/85
- D477,340 S \* 7/2003 Kim et al. .... D15/85
- D495,719 S \* 9/2004 Kirchner et al. .... D15/86
- D507,284 S \* 7/2005 Seo ..... D15/85
- D508,249 S \* 8/2005 Seok et al. .... D15/86
- D508,925 S \* 8/2005 Seok et al. .... D15/86
- D508,926 S \* 8/2005 Seok et al. .... D15/86

\* cited by examiner

*Primary Examiner*—Mitchell Siegel

*Assistant Examiner*—Shanda C. Hill

(74) *Attorney, Agent, or Firm*—Irving Keschner

(57) **CLAIM**

The ornamental design for refrigerator, as shown and described.

**DESCRIPTION**

FIG. 1 is a perspective view of a refrigerator showing our new design;  
FIG. 2 is a front elevational view thereof;  
FIG. 3 is a rear elevational view thereof;  
FIG. 4 is a left side elevational view thereof;  
FIG. 5 is a right side elevational view thereof;  
FIG. 6 is a top plan view thereof;  
FIG. 7 is a bottom plan view thereof; and,  
FIG. 8 is a perspective view of FIG. 1 shown in an open position.

**1 Claim, 5 Drawing Sheets**

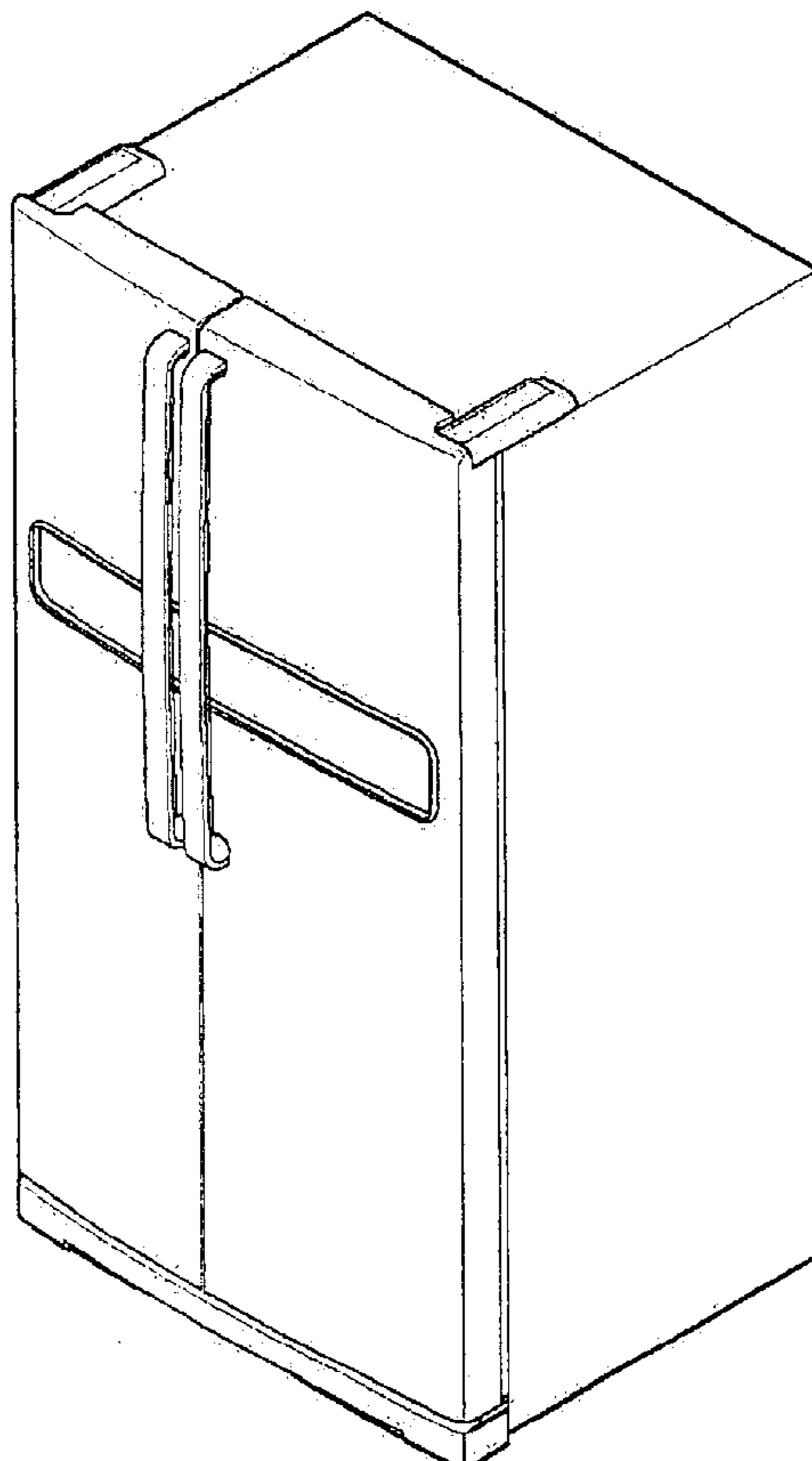


Fig. 1

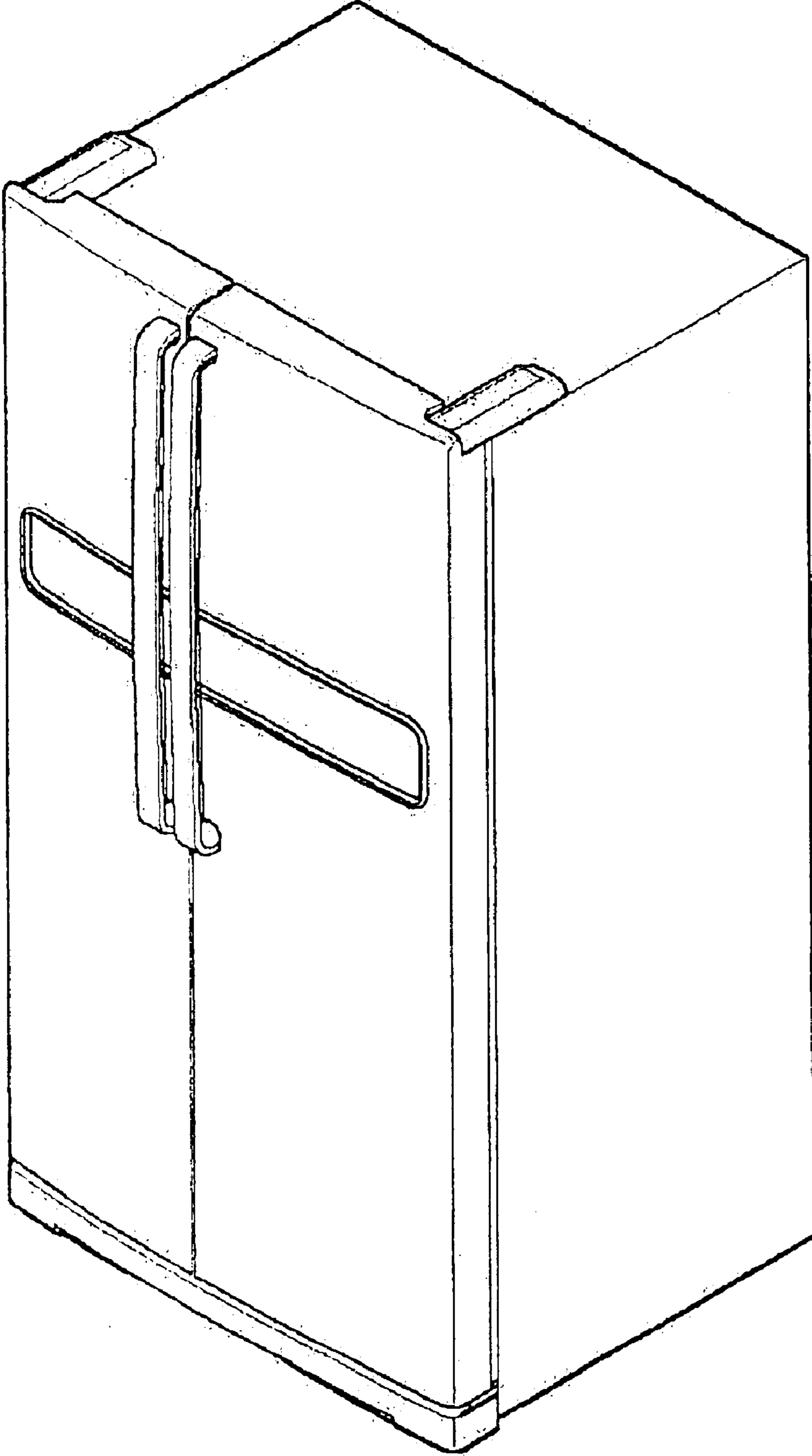


Fig. 2

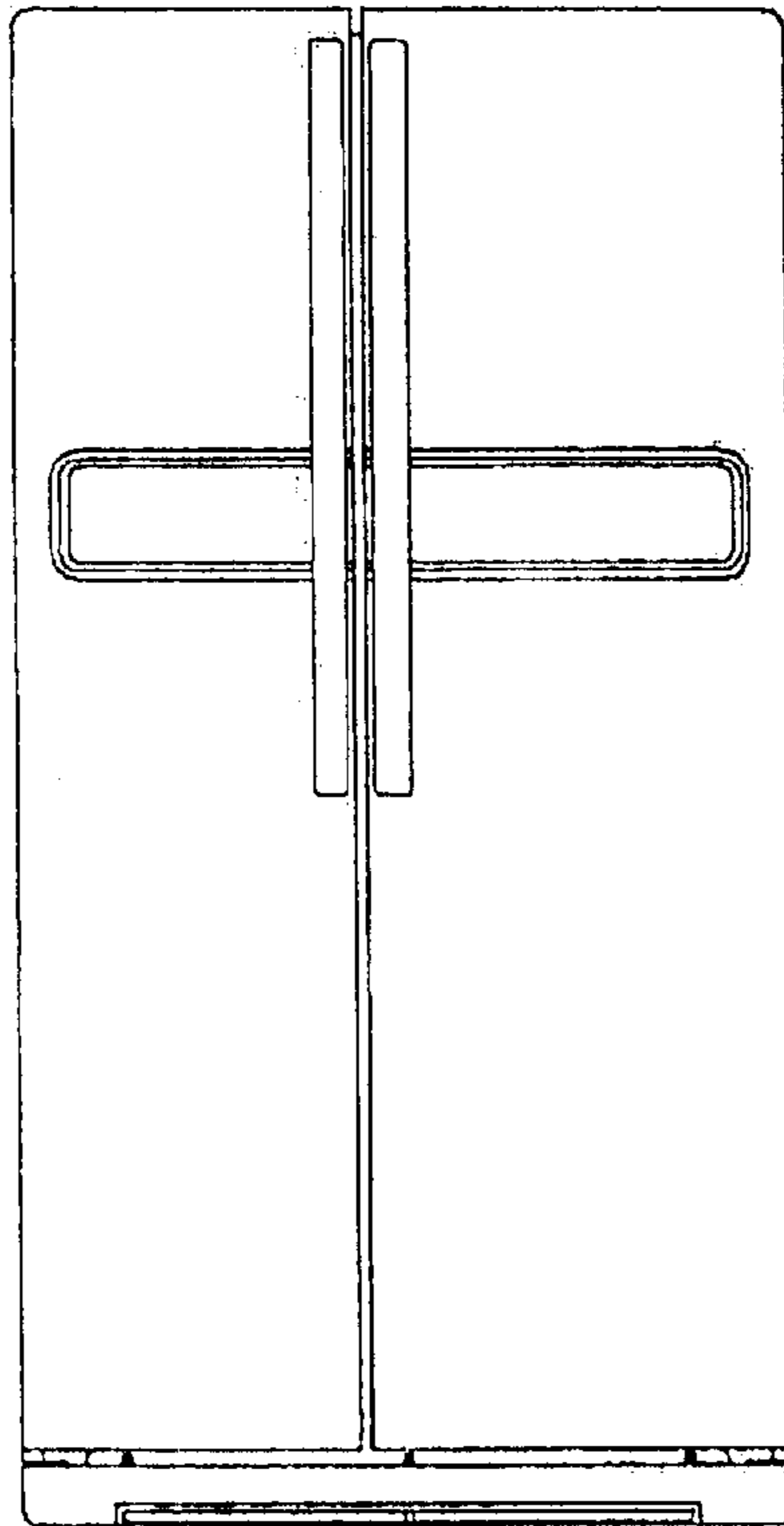


Fig. 3

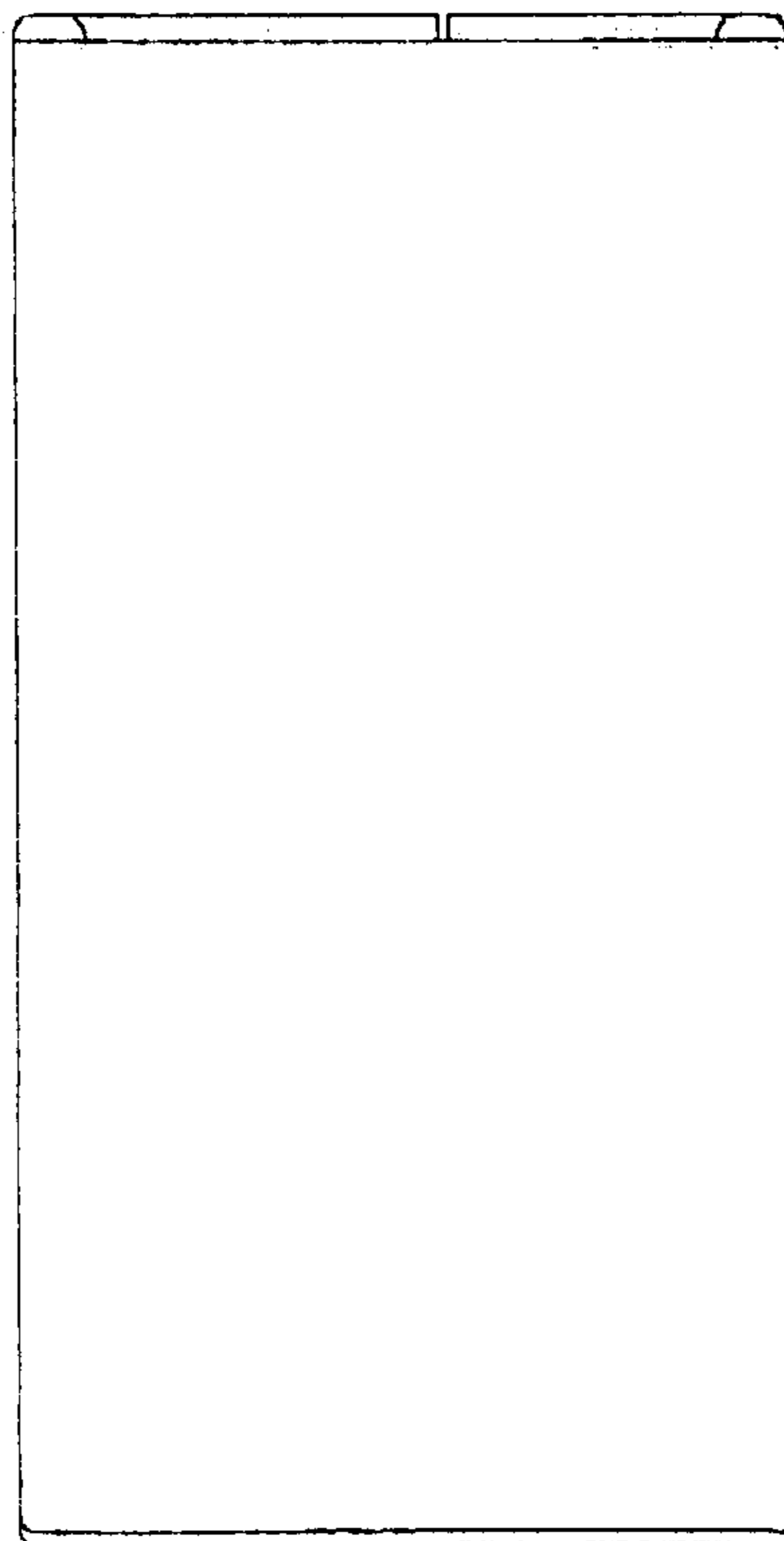


Fig. 4

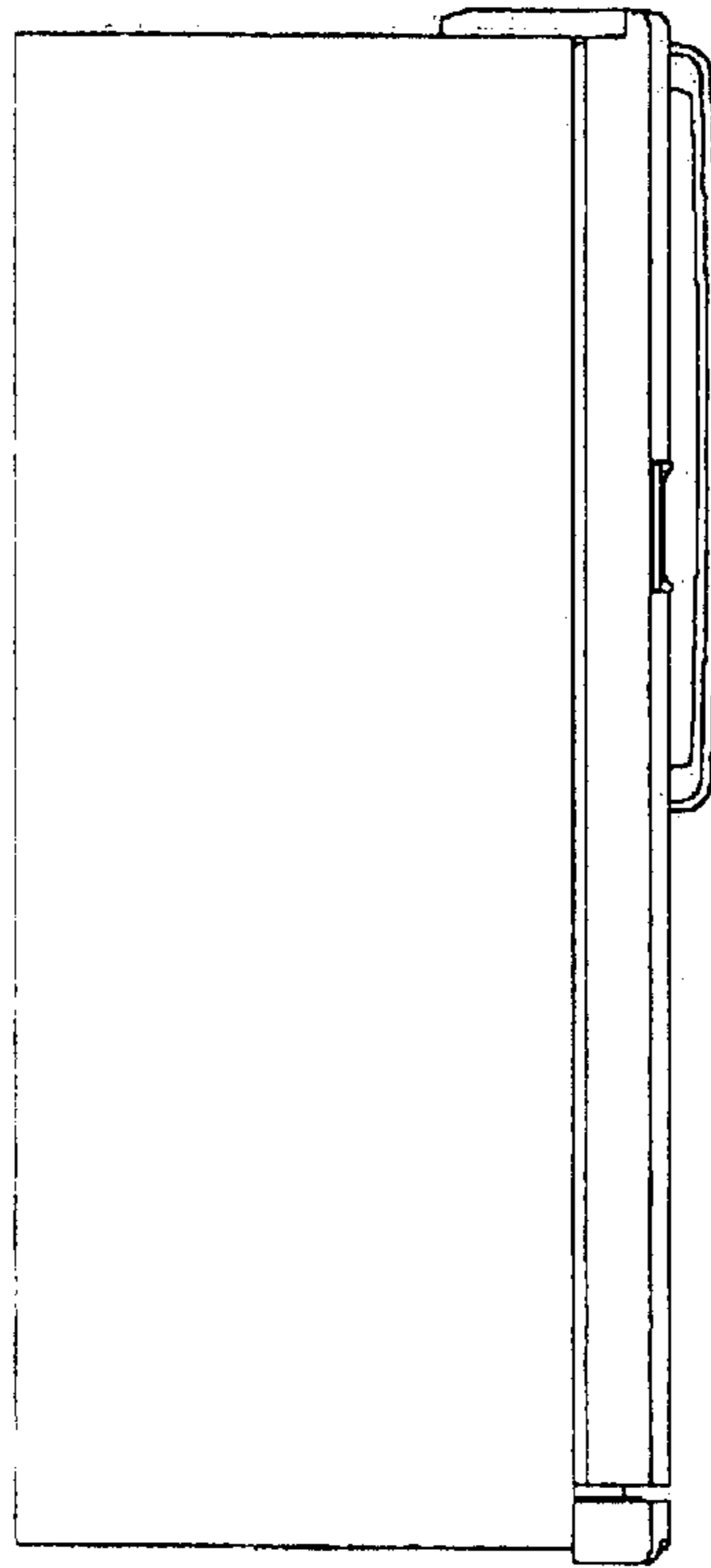


Fig. 5

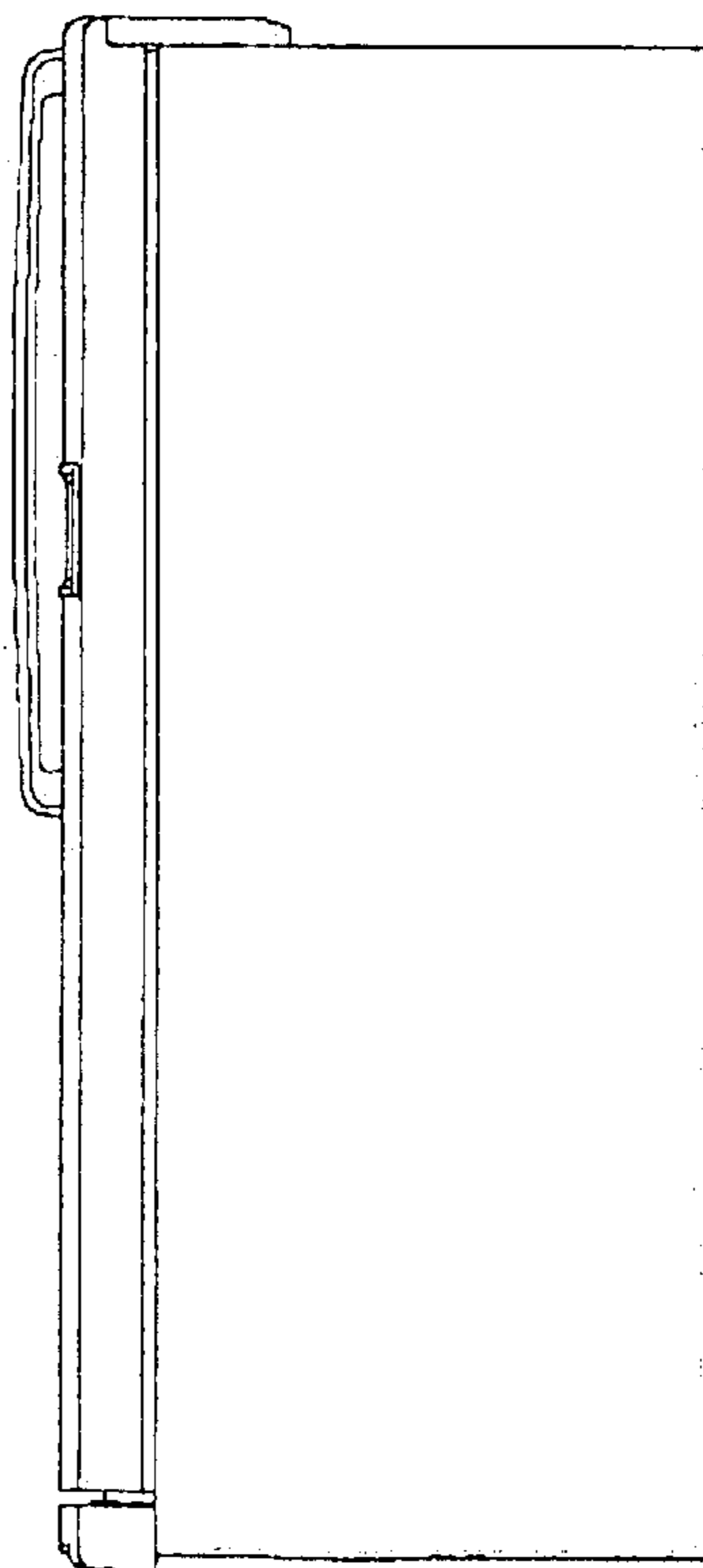


Fig. 6

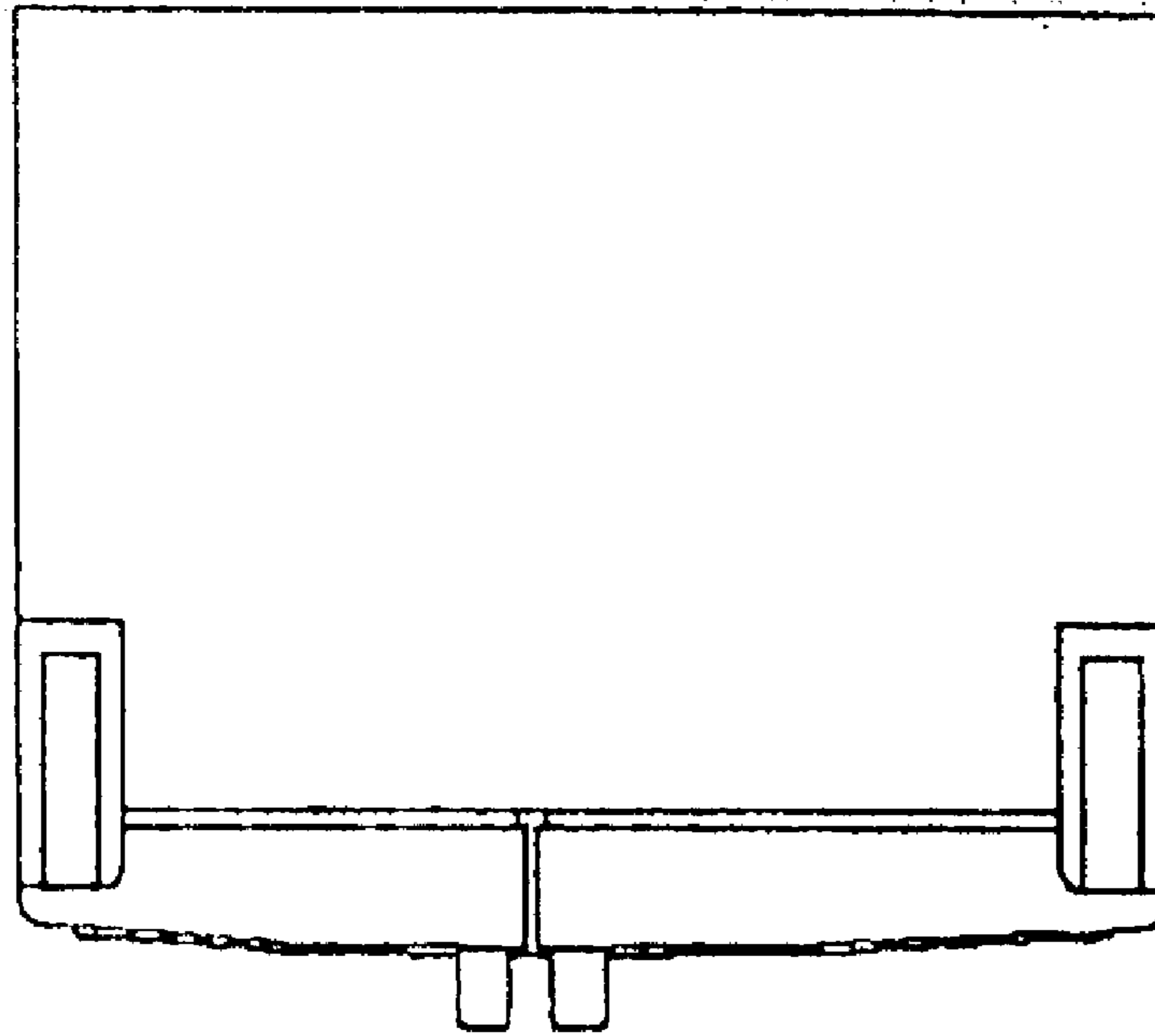


Fig. 7

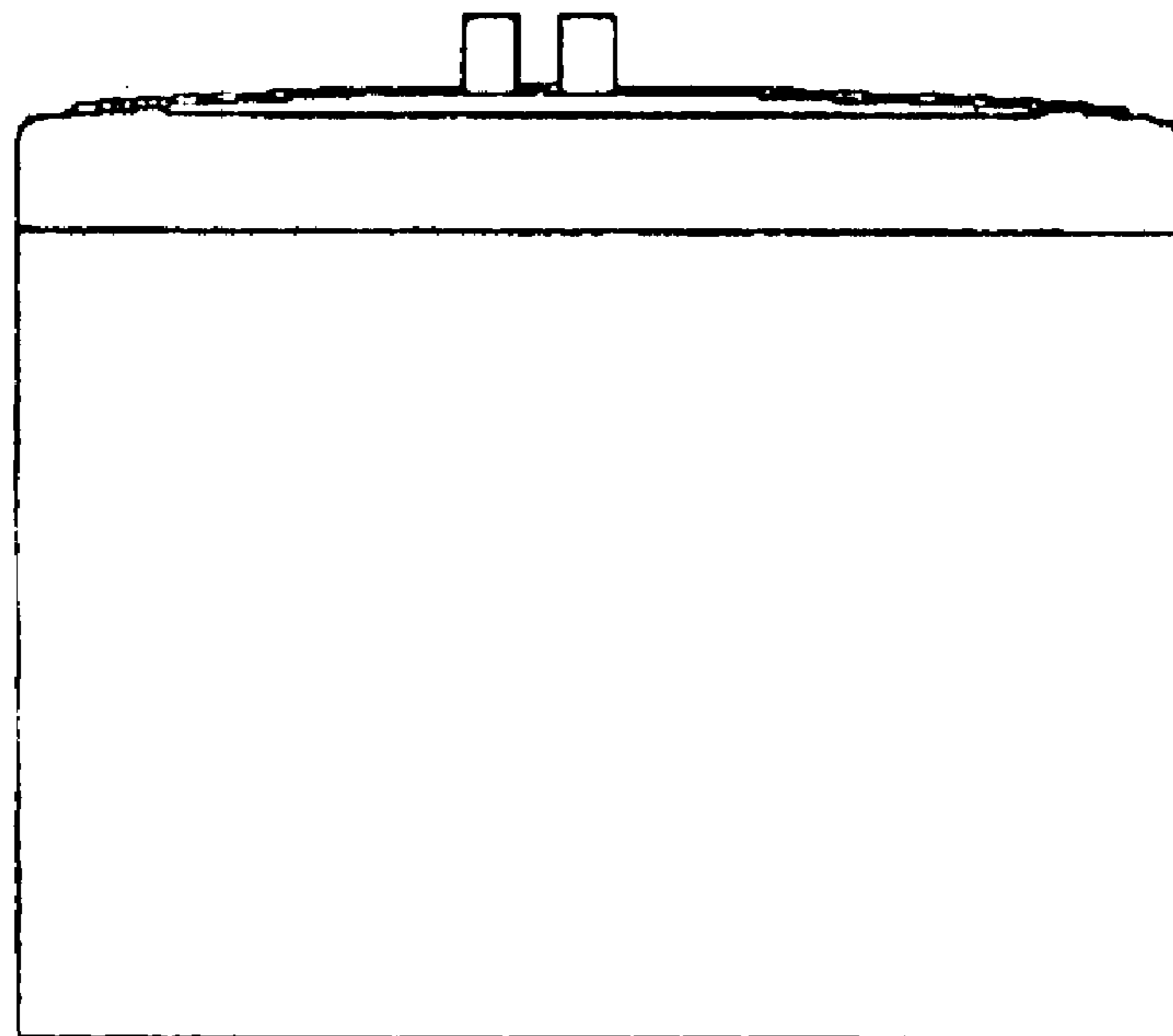


Fig. 8

