



US00D524327S

(12) **United States Design Patent**
Weiss et al.

(10) **Patent No.:** **US D524,327 S**
(45) **Date of Patent:** **** Jul. 4, 2006**

(54) **PUMP**

(75) Inventors: **Paul J. Weiss**, Elkhart Lake, WI (US);
David A. Bramstedt, Sheboygan Falls,
WI (US); **Ross P. Christiansen**,
Sheboygan Falls, WI (US)

(73) Assignee: **Thomas Industries, Inc.**, Sheboygan,
WI (US)

(**) Term: **14 Years**

(21) Appl. No.: **29/224,472**

(22) Filed: **Mar. 2, 2005**

(51) **LOC (8) Cl.** **15-02**

(52) **U.S. Cl.** **D15/7**

(58) **Field of Classification Search** D15/7-9;
D23/231, 232; 417/410.1, 359, 415-416,
417/234, 321, 265, 405

See application file for complete search history.

(56) **References Cited**

U.S. PATENT DOCUMENTS

D299,143 S	*	12/1988	Hazlehurst	D15/7
D308,209 S	*	5/1990	Laqua et al.	D15/7
D419,567 S	*	1/2000	Weiss	D15/7
D488,820 S	*	4/2004	Rozek	D15/7

OTHER PUBLICATIONS

Exhibit 1. Engineering Drawing of a Compressor
Assembly –Sheet 1 of 3: Model 125ADC56/12, Part No.
668055, Oct. 8, 2002.

Exhibit 2. Engineering Drawing of a Compressor
Assembly –Sheet 2 of 3: Model 125ADC56/12, Part No.
668055, Oct. 8, 2002.

* cited by examiner

Primary Examiner—Ralf Seifert

(74) *Attorney, Agent, or Firm*—Quarles & Brady, LLP

(57) **CLAIM**

The ornamental design for a pump, as shown and described.

DESCRIPTION

FIG. 1 is a top, left, front perspective view of a pump
showing my new design;

FIG. 2 is a top, left, rear perspective view thereof;

FIG. 3 is a front side elevational view thereof;

FIG. 4 is a left end elevational view thereof;

FIG. 5 is a right end elevational view thereof;

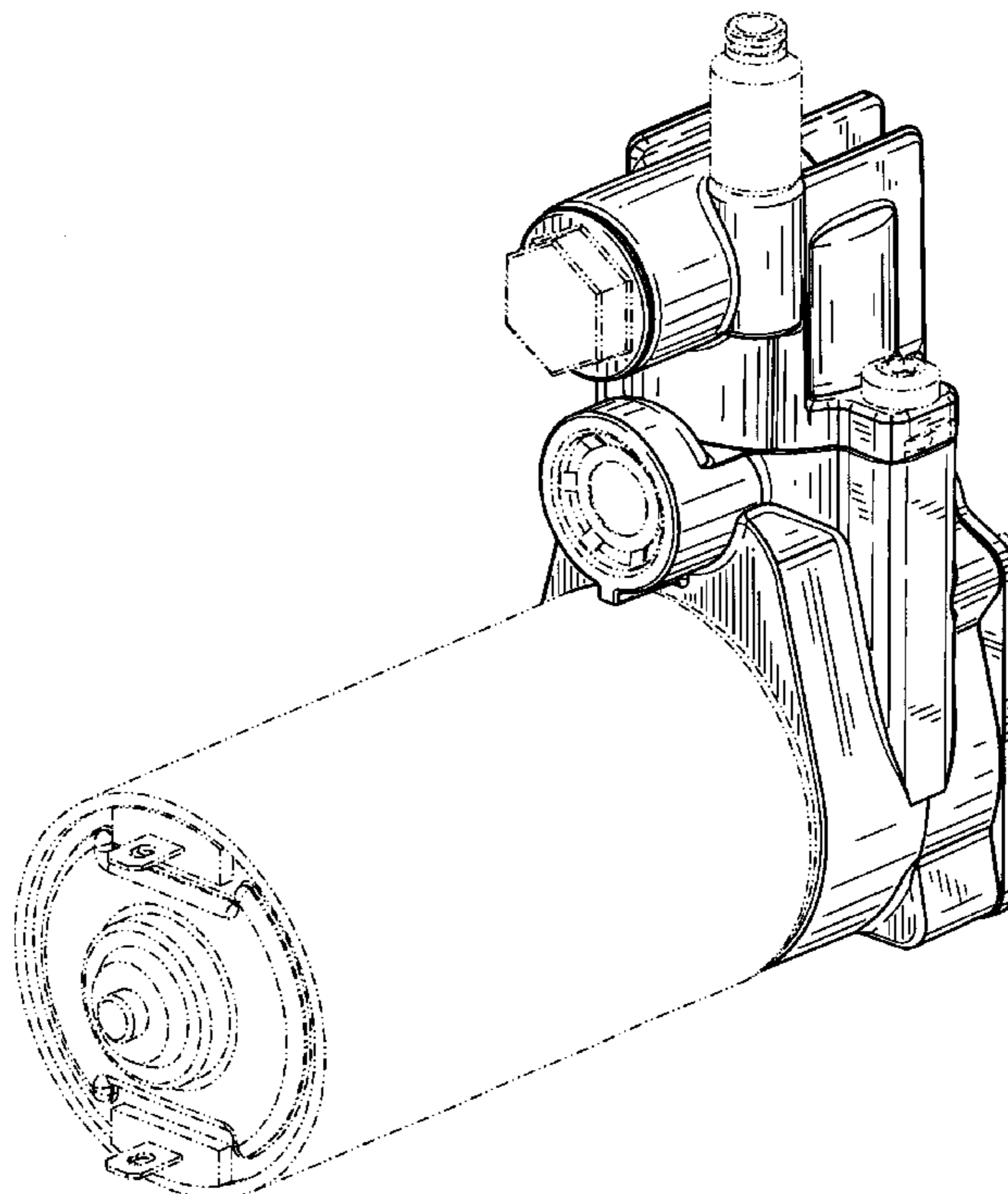
FIG. 6 is a rear side elevational view thereof;

FIG. 7 is a top plan view thereof; and,

FIG. 8 is a bottom plan view thereof.

The broken line representations in the figures are for the
purpose of illustration only and form no part of the claimed
design.

1 Claim, 6 Drawing Sheets



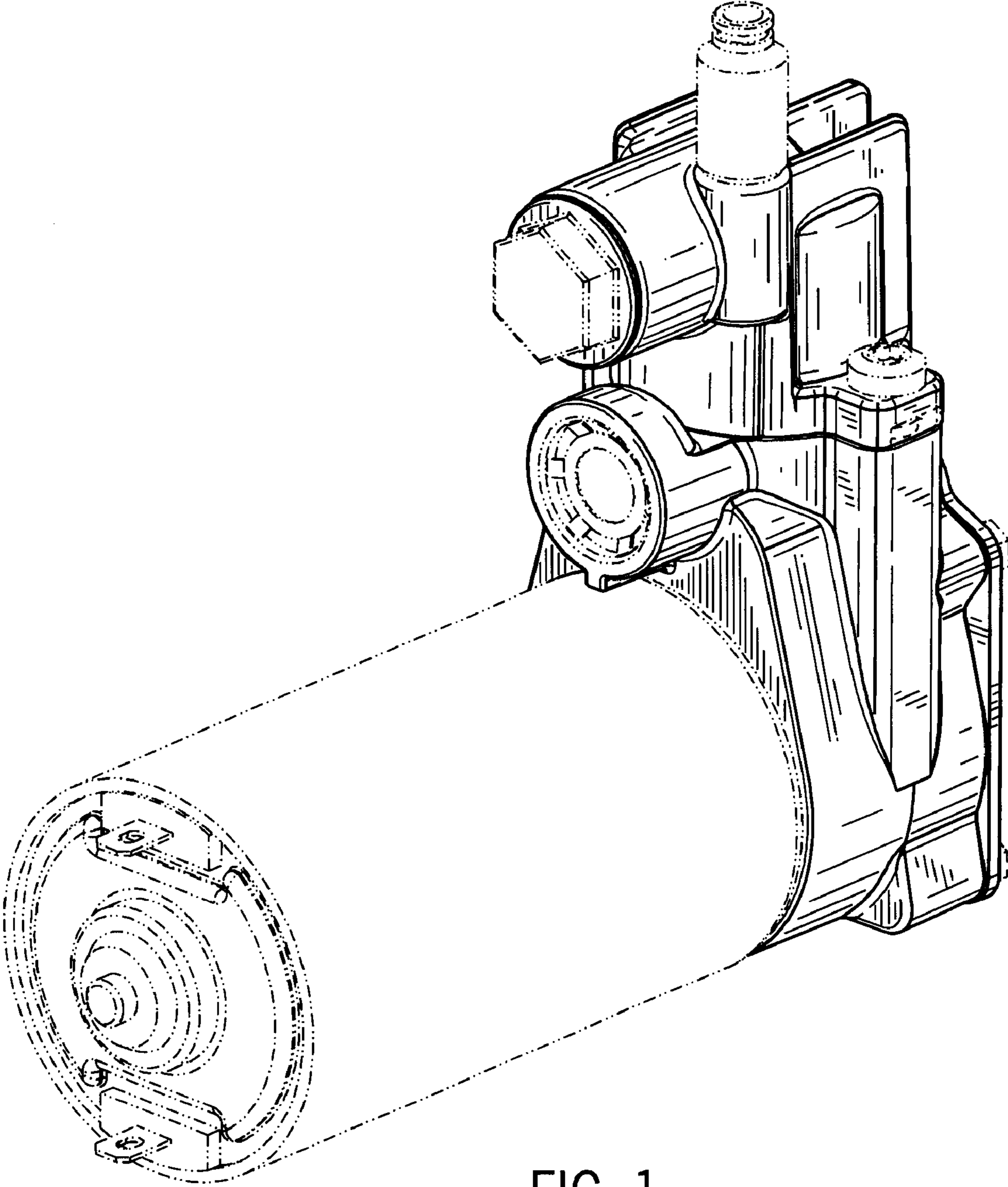


FIG. 1

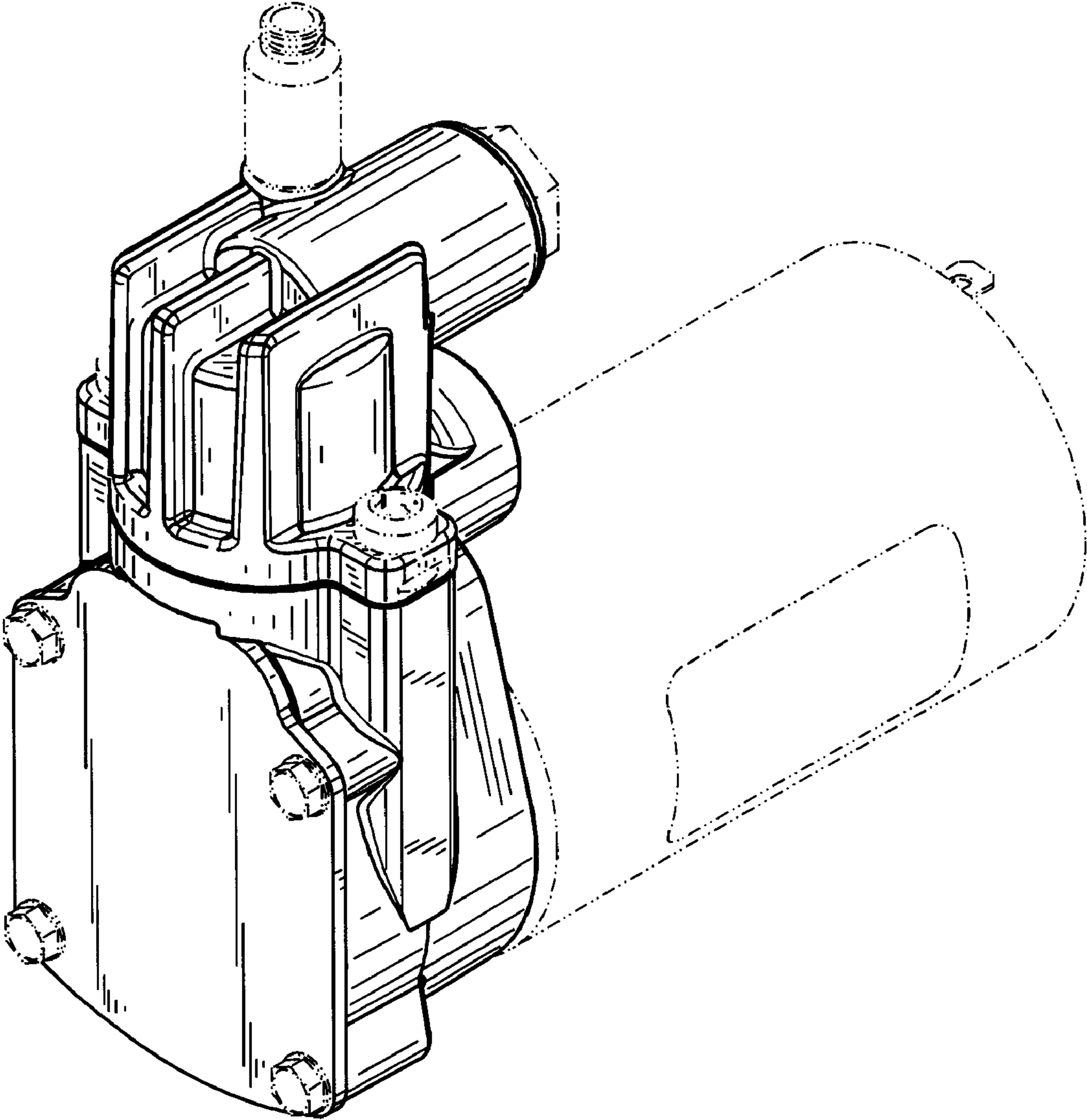


FIG. 2

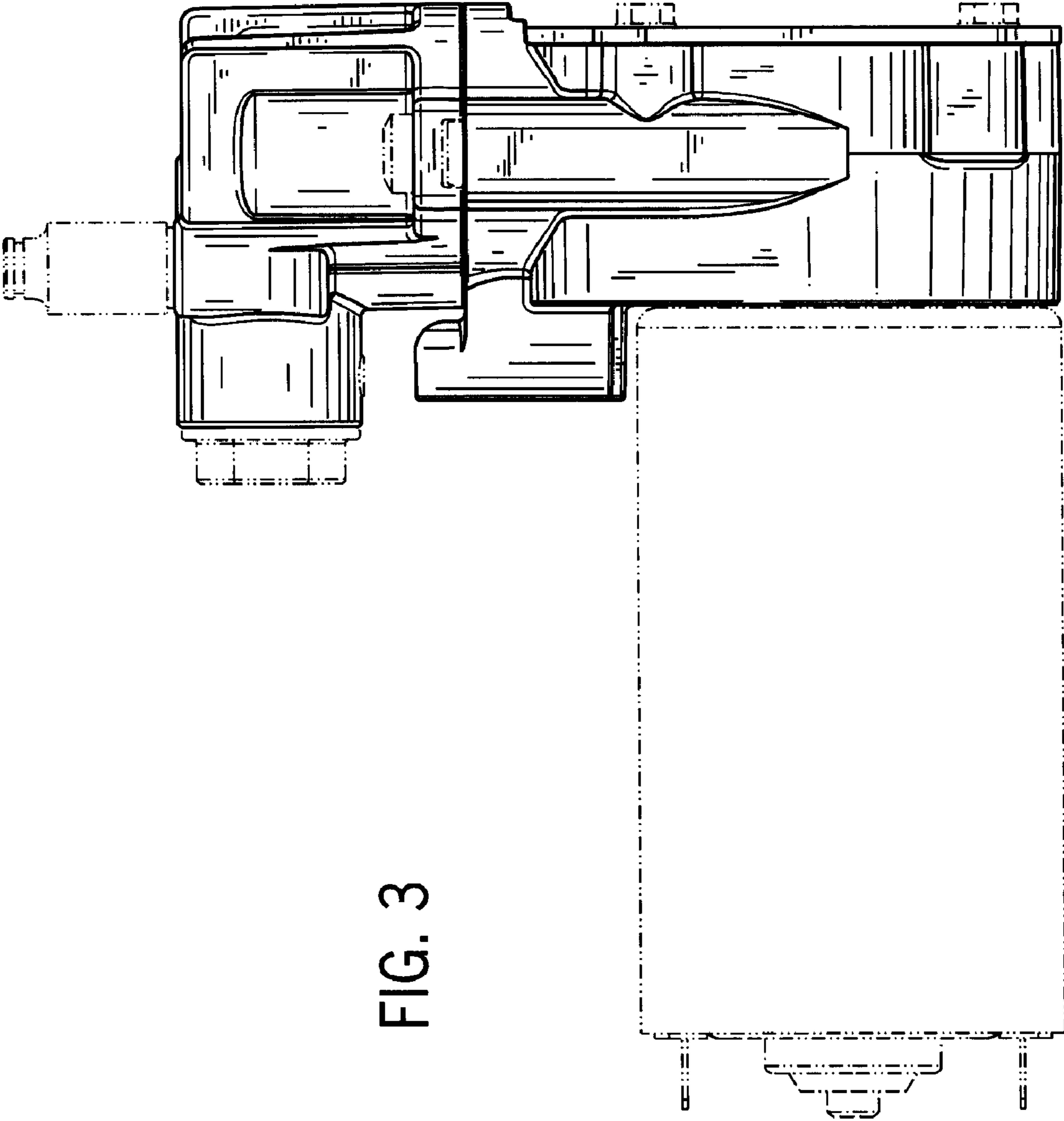


FIG. 3

FIG. 5

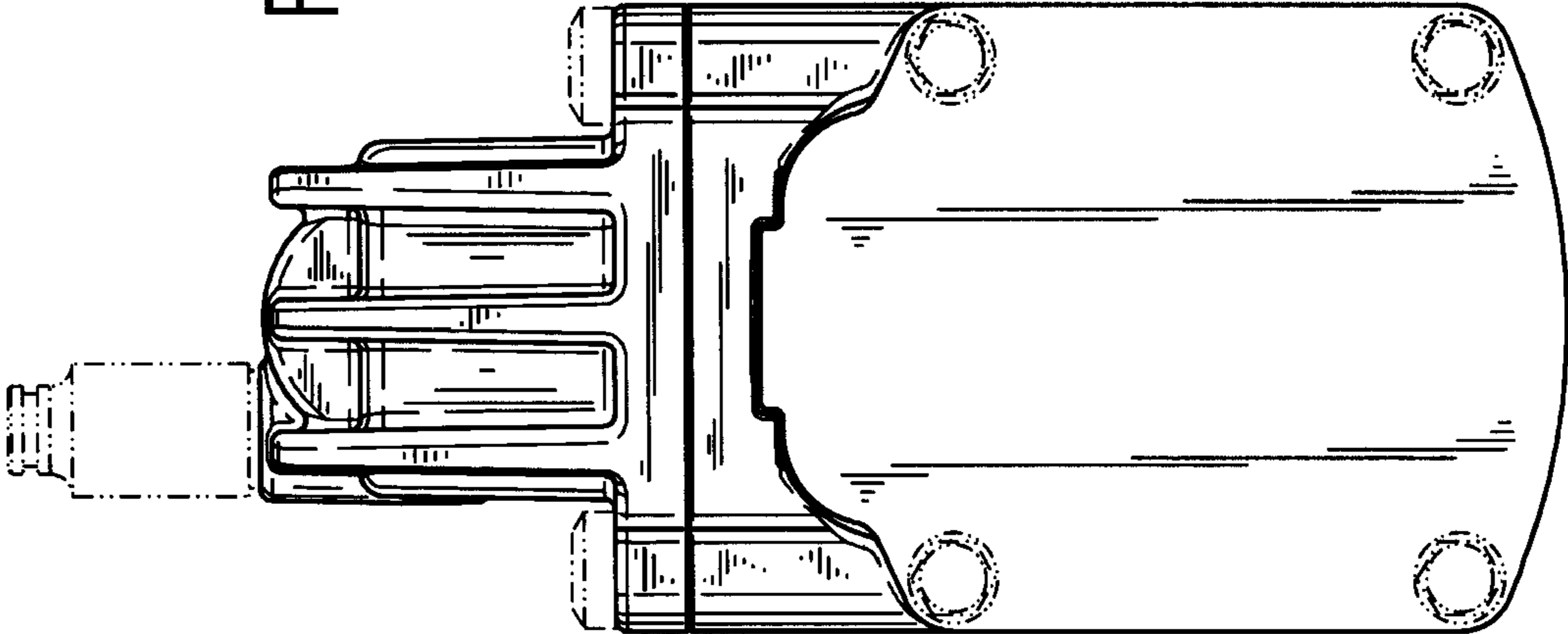


FIG. 4

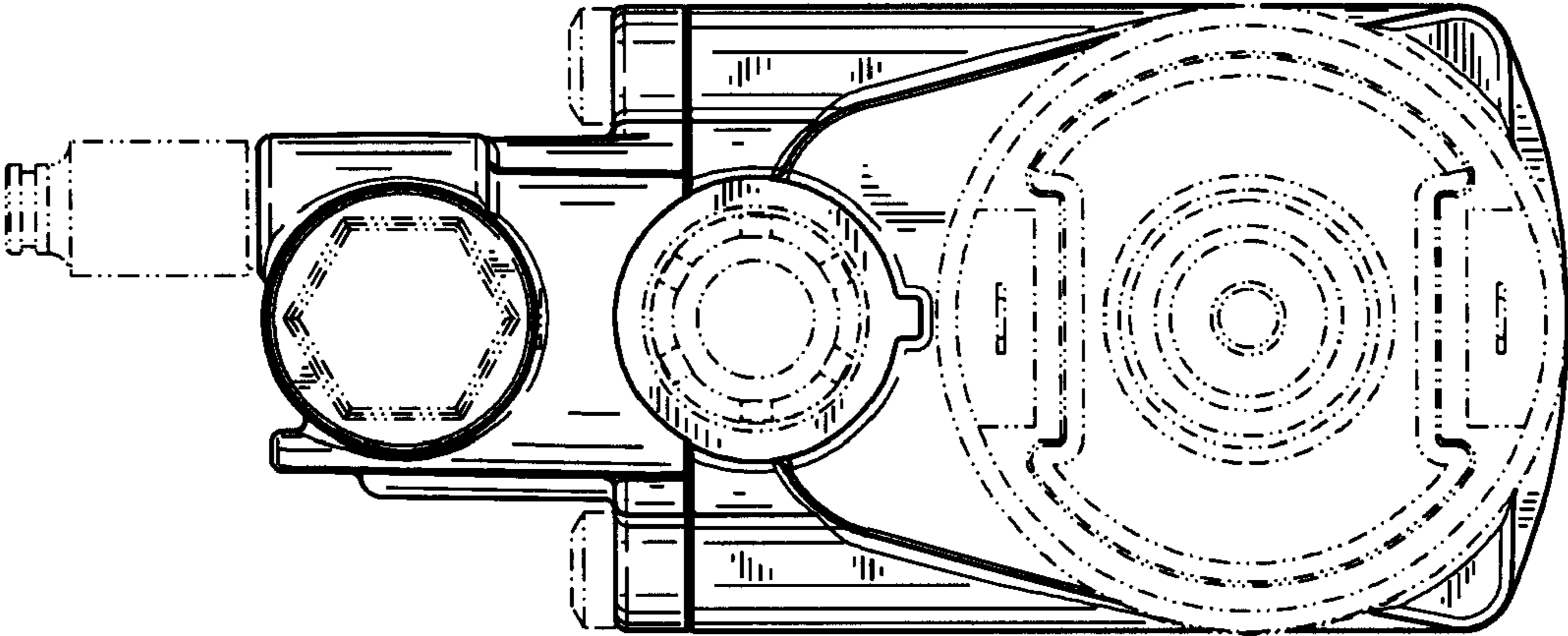
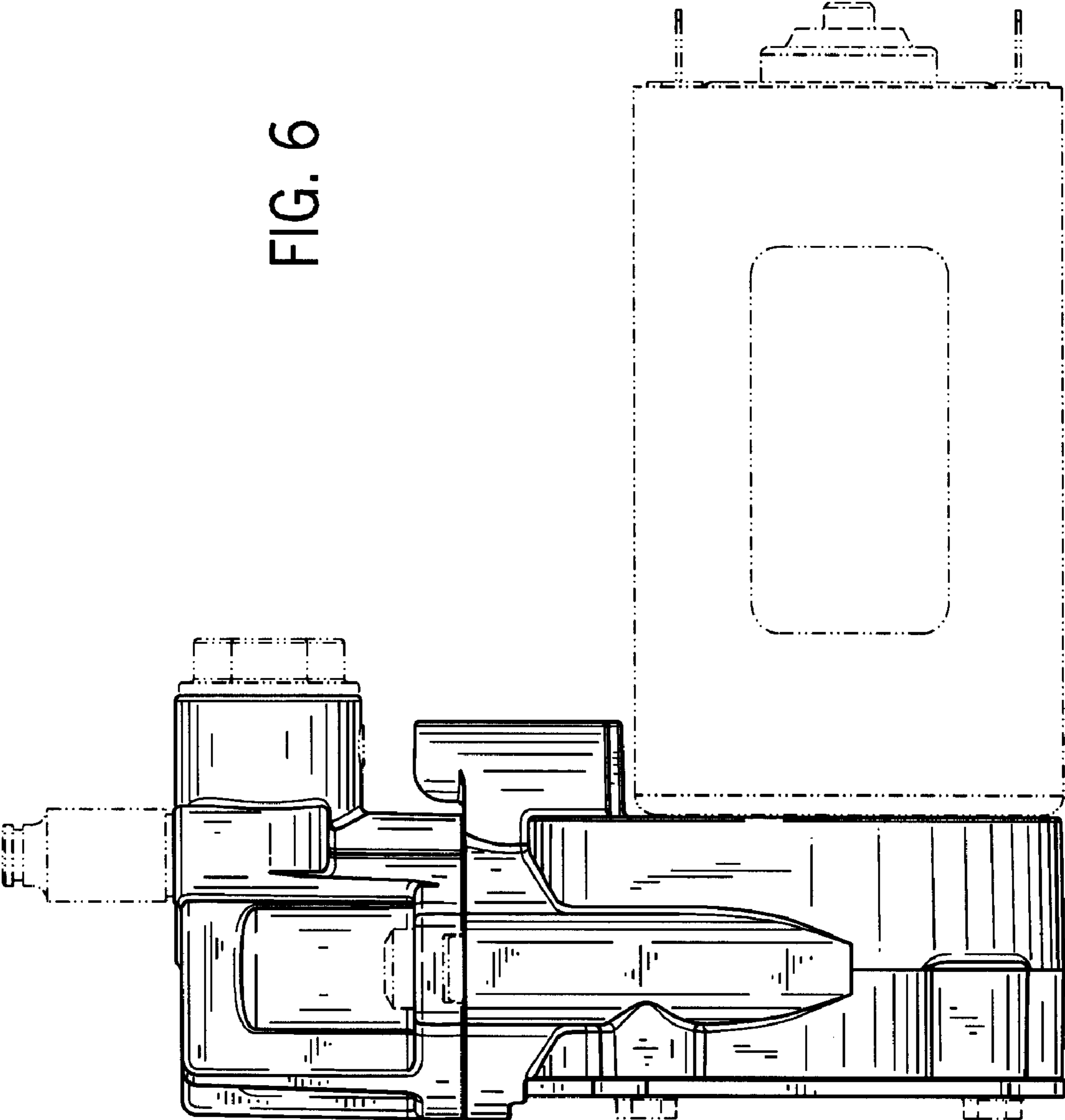


FIG. 6



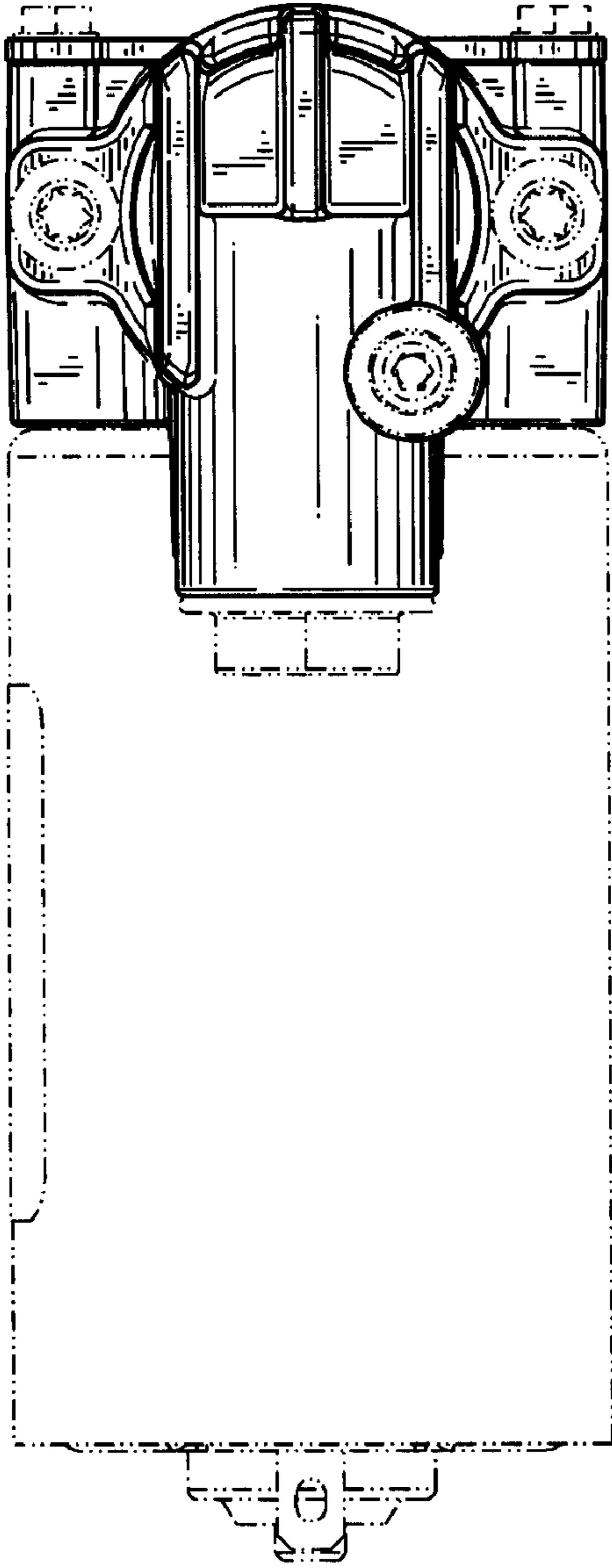


FIG. 7

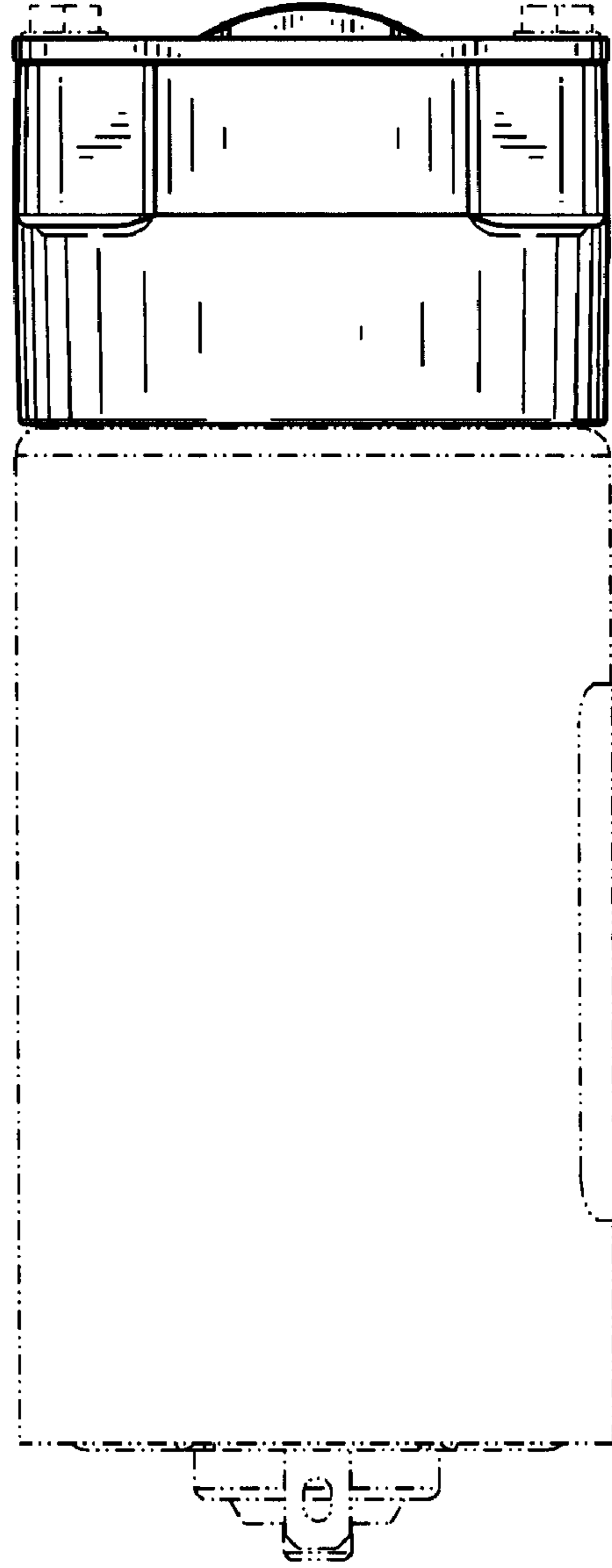


FIG. 8