



US00D524326S

(12) **United States Design Patent**
Meng et al.

(10) **Patent No.:** **US D524,326 S**

(45) **Date of Patent:** **** Jul. 4, 2006**

(54) **PORTABLE MEDIA PLAYER**

(75) Inventors: **Song Meng**, Shenzhen (CN); **Tzucheng Yu**, Santa Clara, CA (US); **Xuesong Fan**, Shenzhen (CN); **Jiake Huang**, Shenzhen (CN)

(73) Assignee: **Hon Hai Precision Ind. Co., Ltd.**, Taipei Hsien (TW)

(**) Term: **14 Years**

(21) Appl. No.: **29/233,973**

(22) Filed: **Jul. 11, 2005**

(51) **LOC (8) Cl.** **14-03**

(52) **U.S. Cl.** **D14/496**

(58) **Field of Classification Search** D14/496,
D14/435, 474, 483, 217, 188, 204, 156, 157,
D14/160, 167, 168; 273/148 B; 463/43-47;
455/344-351; 369/6-12, 2, 75.11; 370/342-344;
345/156-158

See application file for complete search history.

(56) **References Cited**

U.S. PATENT DOCUMENTS

6,122,526 A * 9/2000 Parulski et al. 455/556.1
6,595,860 B1 * 7/2003 Yamamoto et al. 463/43
6,639,577 B1 * 10/2003 Eberhard 345/102

6,671,567 B1 * 12/2003 Dwyer et al. 700/94
D494,188 S * 8/2004 Huang D14/496
6,769,603 B1 * 8/2004 Nagai et al. 235/375
6,791,907 B1 * 9/2004 Berhan 369/7
D507,003 S * 7/2005 Pai et al. D14/496
D507,277 S * 7/2005 Sitoh D14/496
D509,834 S * 9/2005 Kataoka D14/496
D511,347 S * 11/2005 Naruki D14/496
D511,528 S * 11/2005 Yang D14/496
D513,011 S * 12/2005 Johnson D14/496

* cited by examiner

Primary Examiner—Prabhakar Deshmukh

(74) *Attorney, Agent, or Firm*—Wei Te Chung

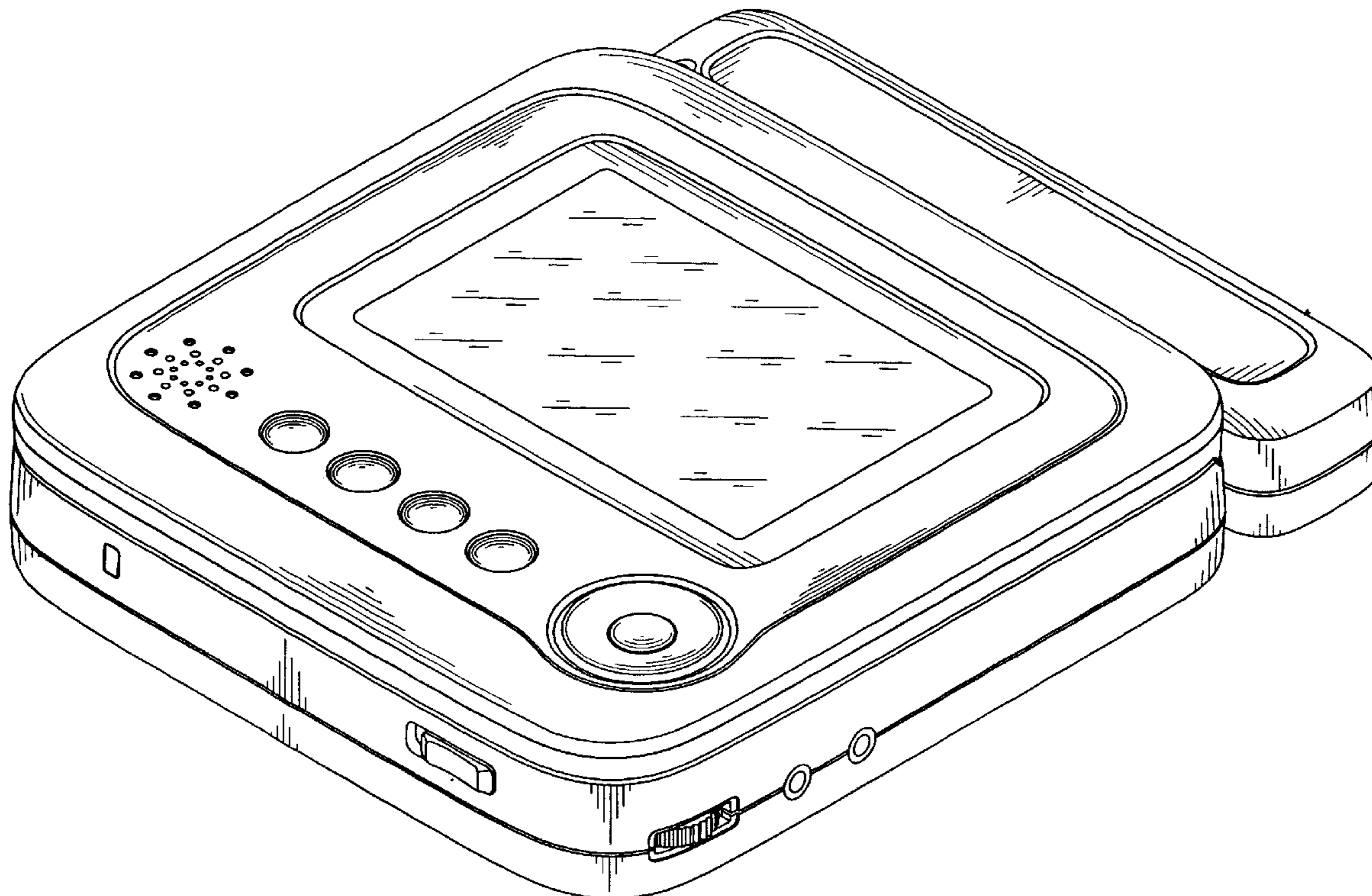
(57) **CLAIM**

The ornamental design for a portable media player, as shown and described.

DESCRIPTION

FIG. 1 is a perspective view of a portable media player showing our new design;
FIG. 2 is a front view thereof;
FIG. 3 is a rear view thereof;
FIG. 4 is a left side elevational view thereof;
FIG. 5 is a right side elevational view thereof;
FIG. 6 is a top plan view thereof; and,
FIG. 7 is a bottom plan view thereof.

1 Claim, 5 Drawing Sheets



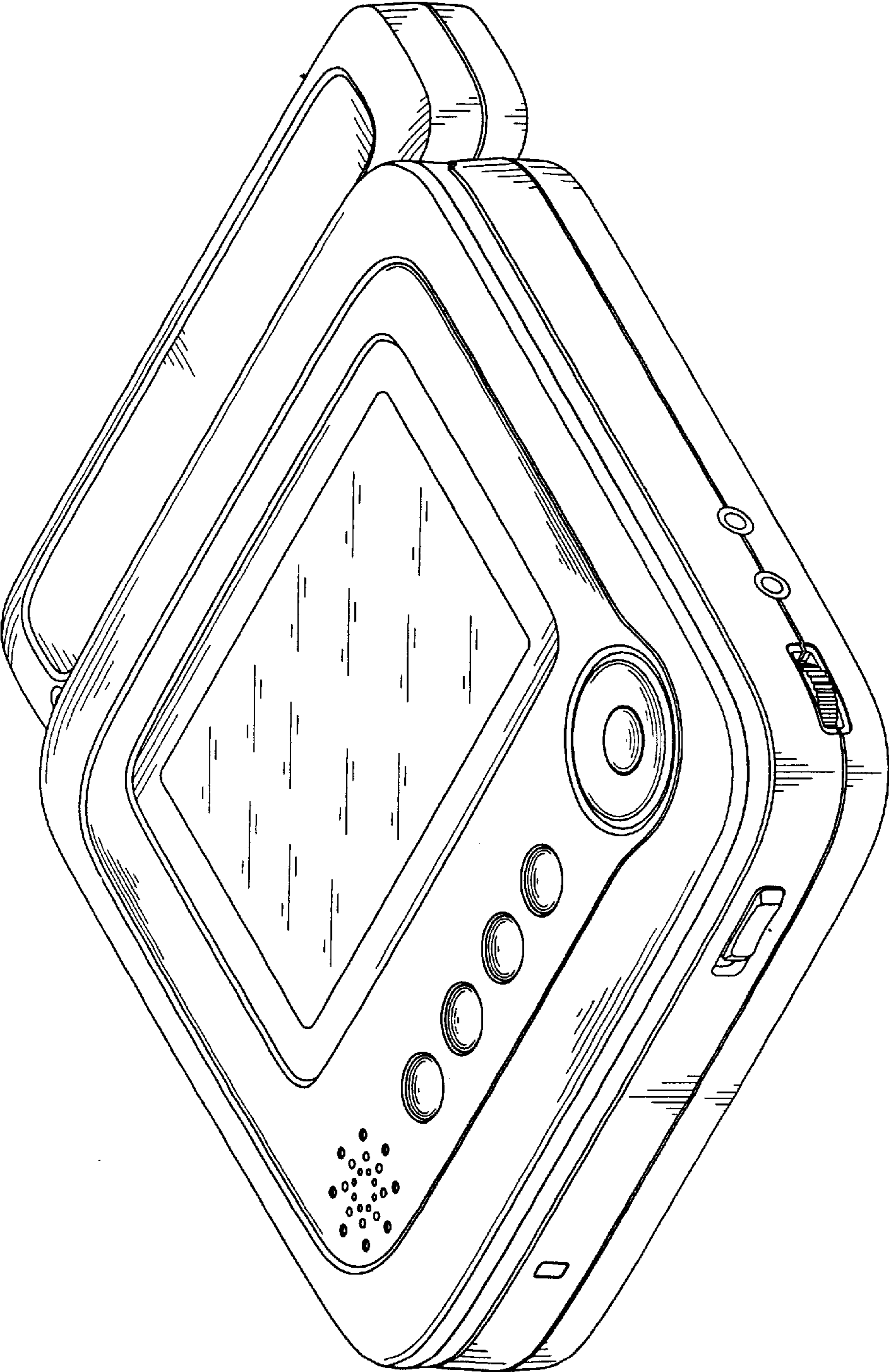


FIG. 1

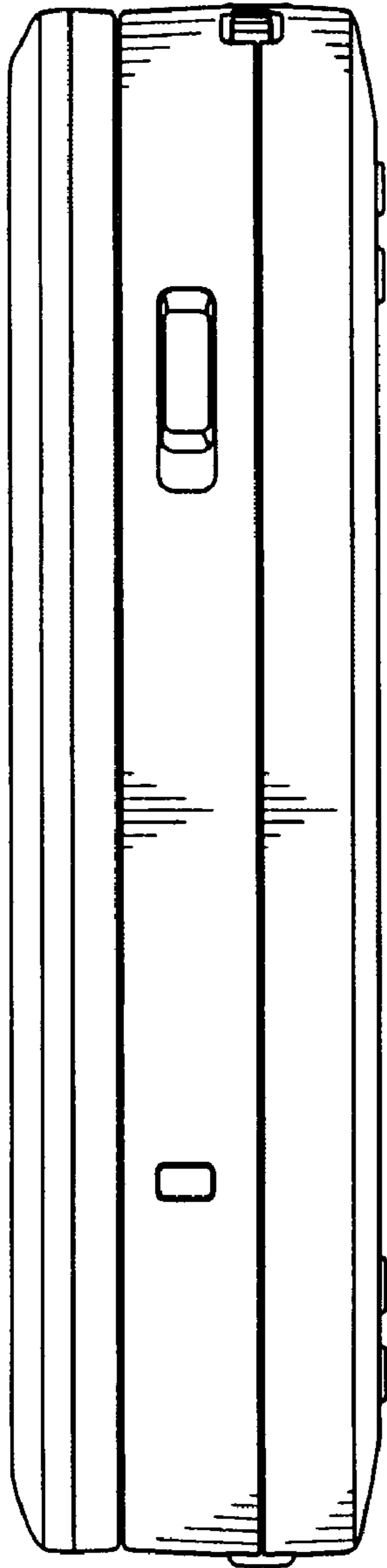


FIG. 2

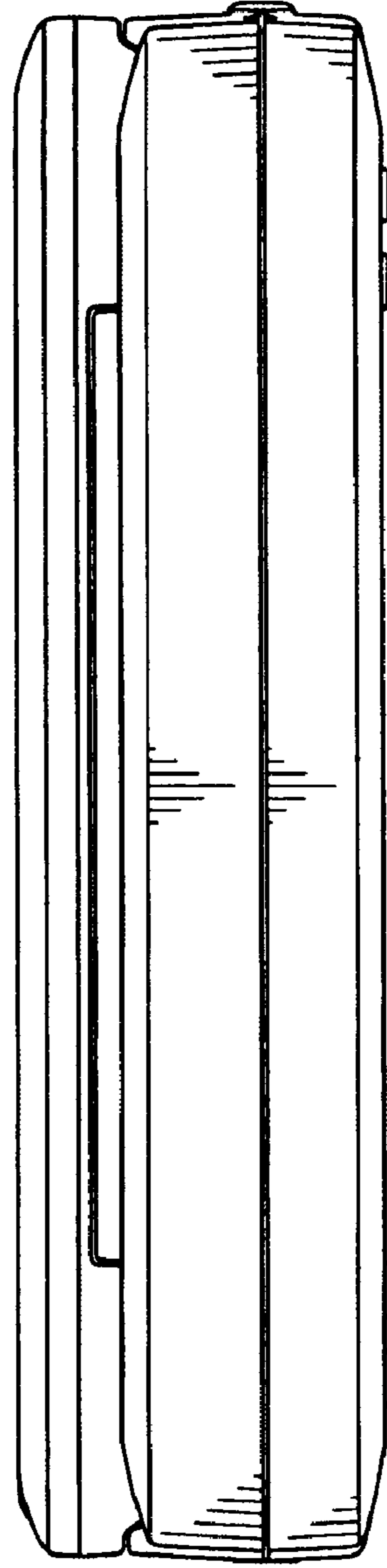


FIG. 3

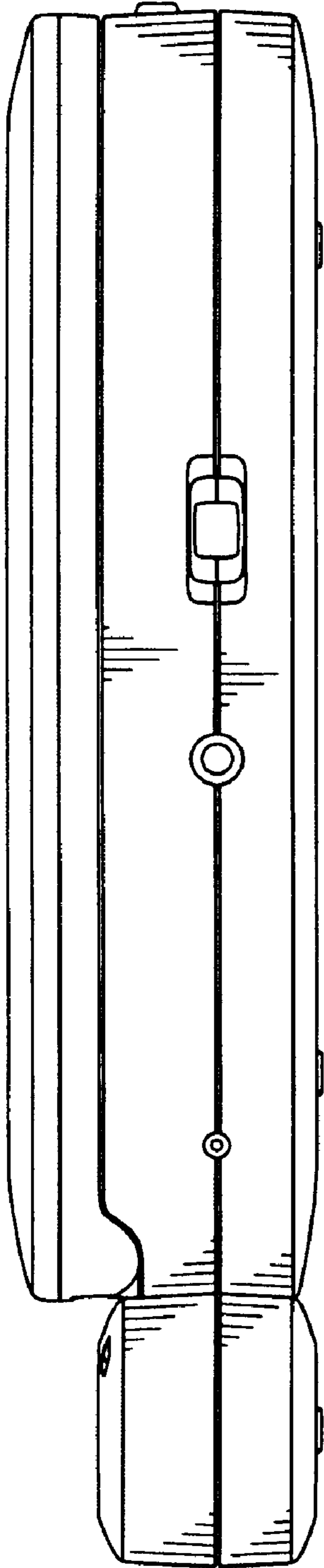


FIG. 4

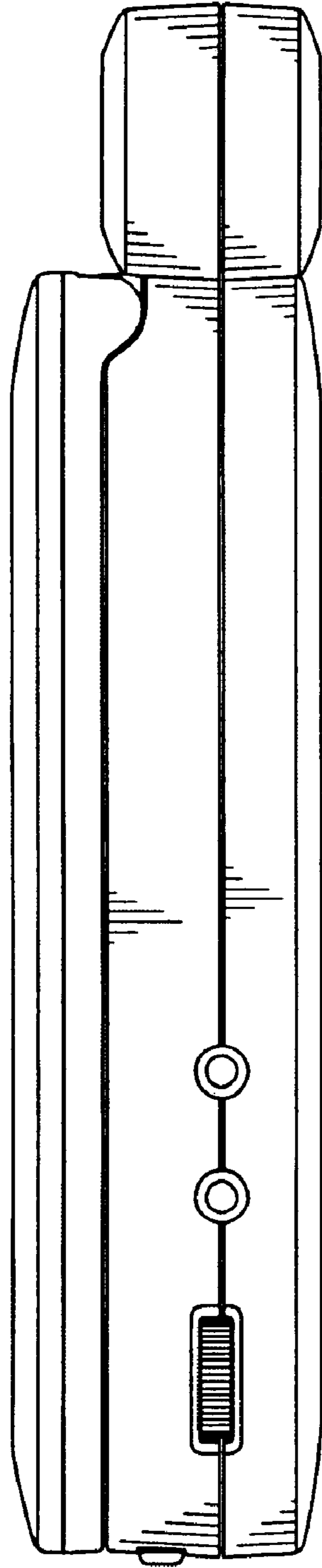


FIG. 5

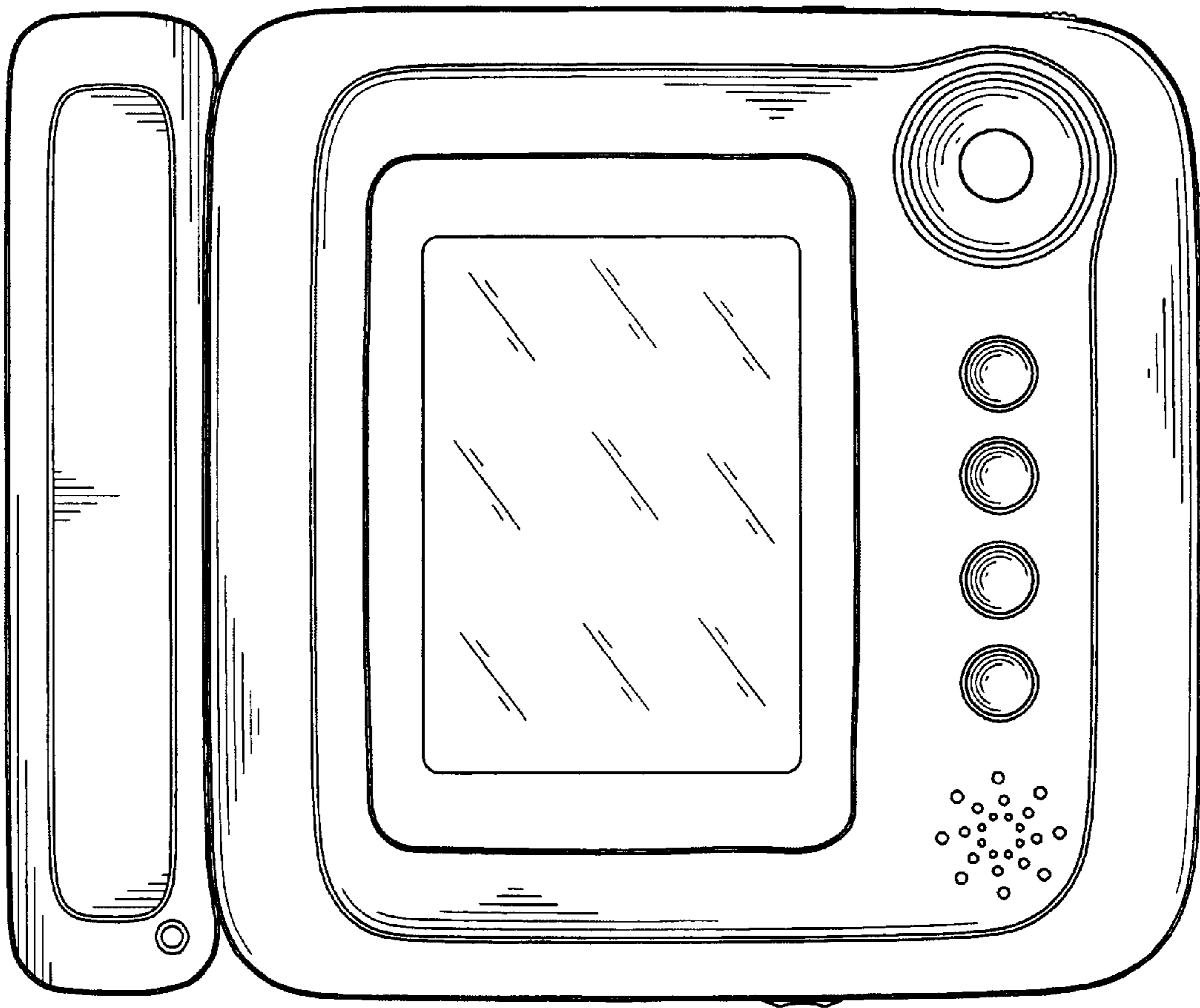


FIG. 6

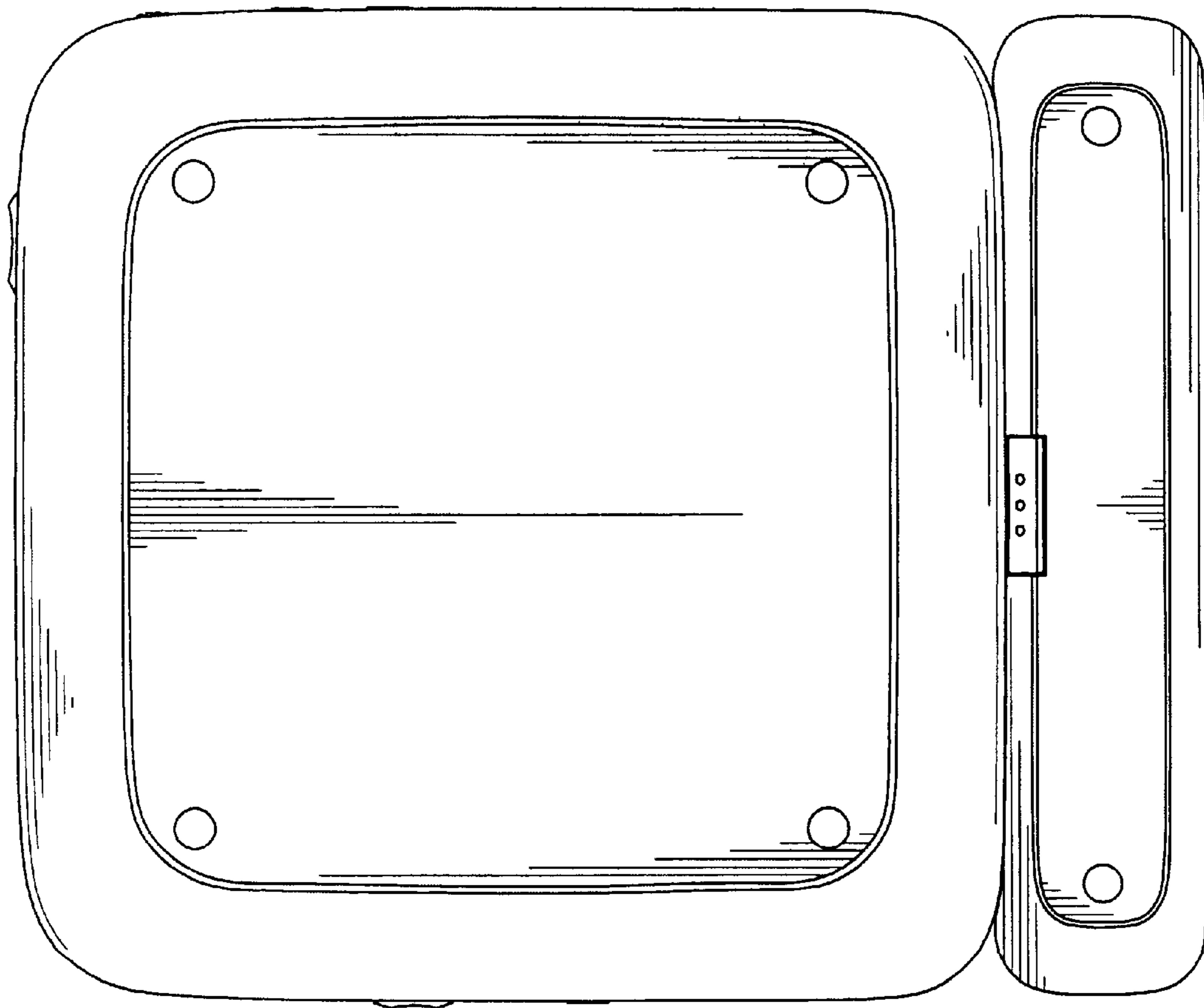


FIG. 7