

US00D524325S

(12) **United States Design Patent**
Lau et al.

(10) **Patent No.:** **US D524,325 S**

(45) **Date of Patent:** **** Jul. 4, 2006**

(54) **HOME KARAOKE SYSTEM**

(75) Inventors: **Kwok Piu Lau**, Metro (CN); **Kin San So**, Shine Sun (CN)

(73) Assignee: **The Singing Machine Company**, Coconut Creek, FL (US)

(**) Term: **14 Years**

(21) Appl. No.: **29/189,942**

(22) Filed: **Sep. 11, 2003**

(51) **LOC (8) Cl.** **14-03**

(52) **U.S. Cl.** **D14/496; D14/168**

(58) **Field of Classification Search** D14/496,
D14/129, 137, 155, 168, 181, 185, 188, 299;
434/307 A, 307 R, 309, 318; 352/1, 6-10;
84/609-614, 634-638, DIG. 17, DIG. 6;
455/344-351

See application file for complete search history.

(56) **References Cited**

U.S. PATENT DOCUMENTS

D319,060 S * 8/1991 Rashak D14/195
5,781,853 A * 7/1998 Johnson 455/351
5,961,333 A * 10/1999 Harrison et al. 434/322
6,328,570 B1 * 12/2001 Ng 434/307 A

D461,469 S * 8/2002 Wang et al. D14/299
D468,718 S * 1/2003 Cuvelier D14/168
D469,752 S * 2/2003 Cuvelier D14/168
6,535,269 B1 * 3/2003 Sherman et al. 352/6
6,563,038 B1 * 5/2003 Kikuchi 84/610
D476,638 S * 7/2003 Tsukahara D14/168
6,740,803 B1 * 5/2004 Brinkman et al. 84/609

* cited by examiner

Primary Examiner—Prabhakar Deshmukh

(74) *Attorney, Agent, or Firm*—Dinh & Associates

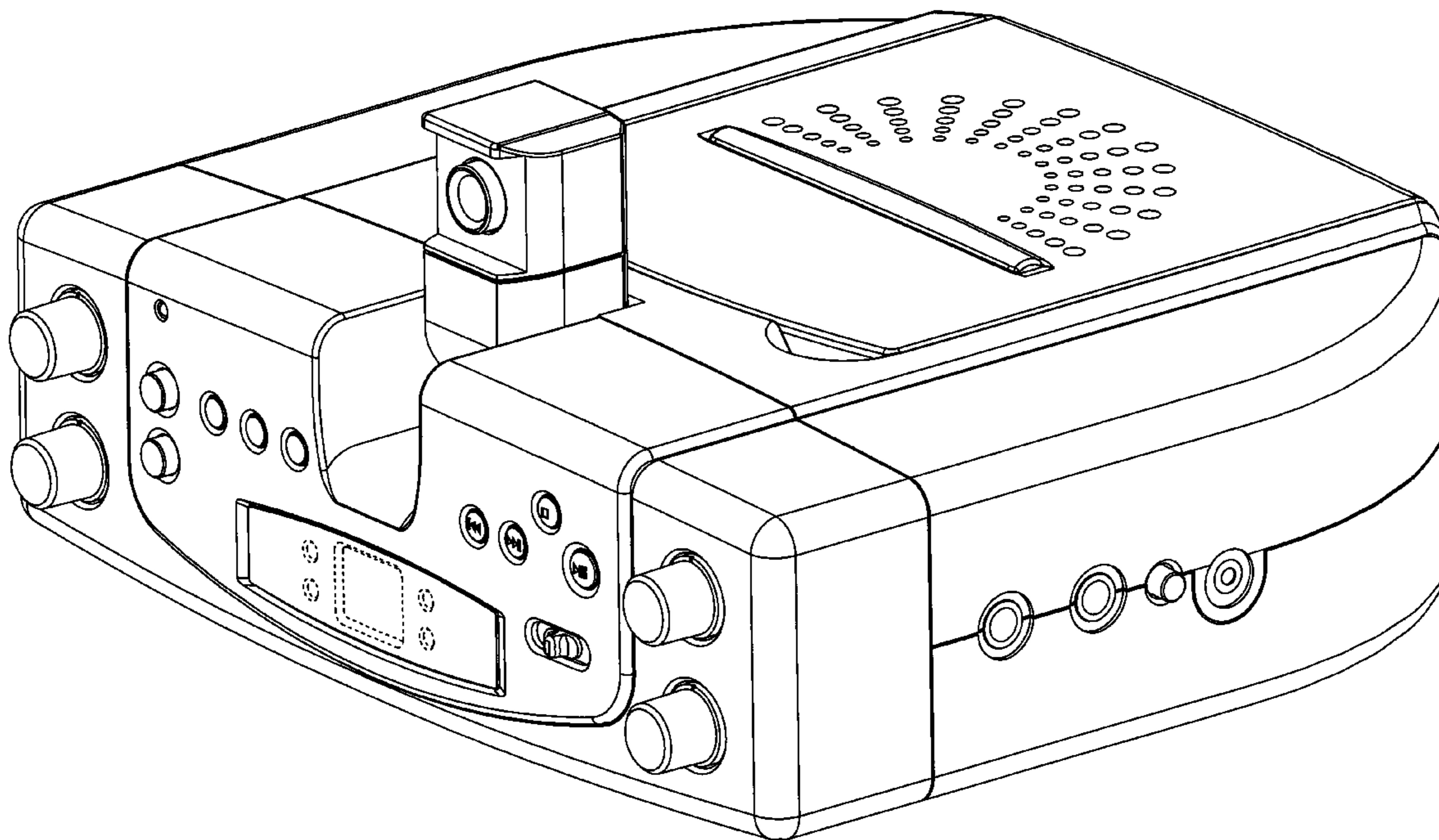
(57) **CLAIM**

The ornamental design for a home karaoke system, as shown.

DESCRIPTION

FIG. 1 is perspective view of the home karaoke system; FIG. 2 is a front view of the home karaoke system; FIG. 3 is a rear view of the home karaoke system; FIG. 4 is a right side view of the home karaoke system; FIG. 5 is a left side view of the home karaoke system; FIG. 6 is a top view of the home karaoke system; and, FIG. 7 is a bottom view of the home karaoke system. The broken lines are for illustrative purpose only and form no part of the claimed design.

1 Claim, 7 Drawing Sheets



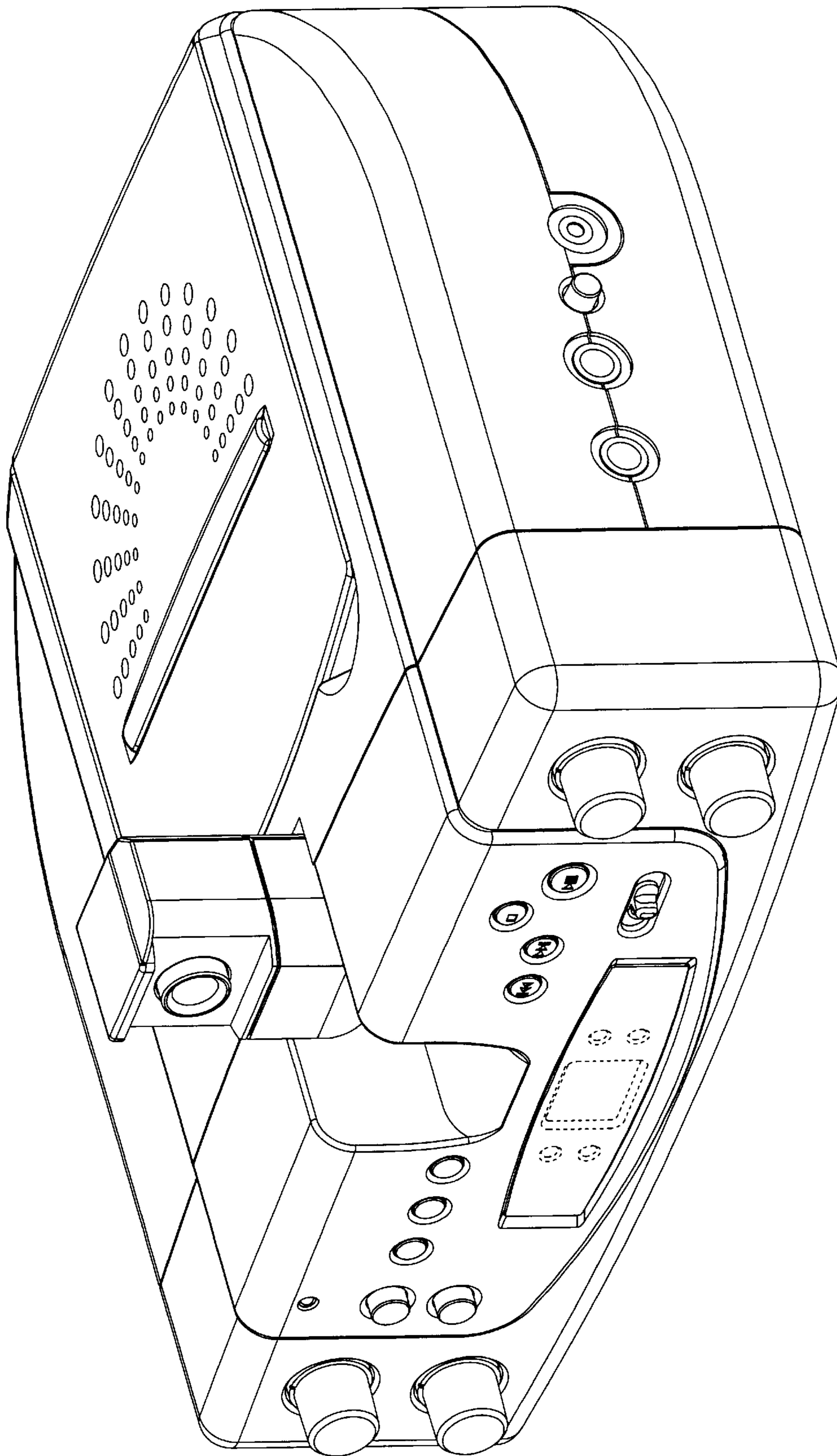


FIG. 1

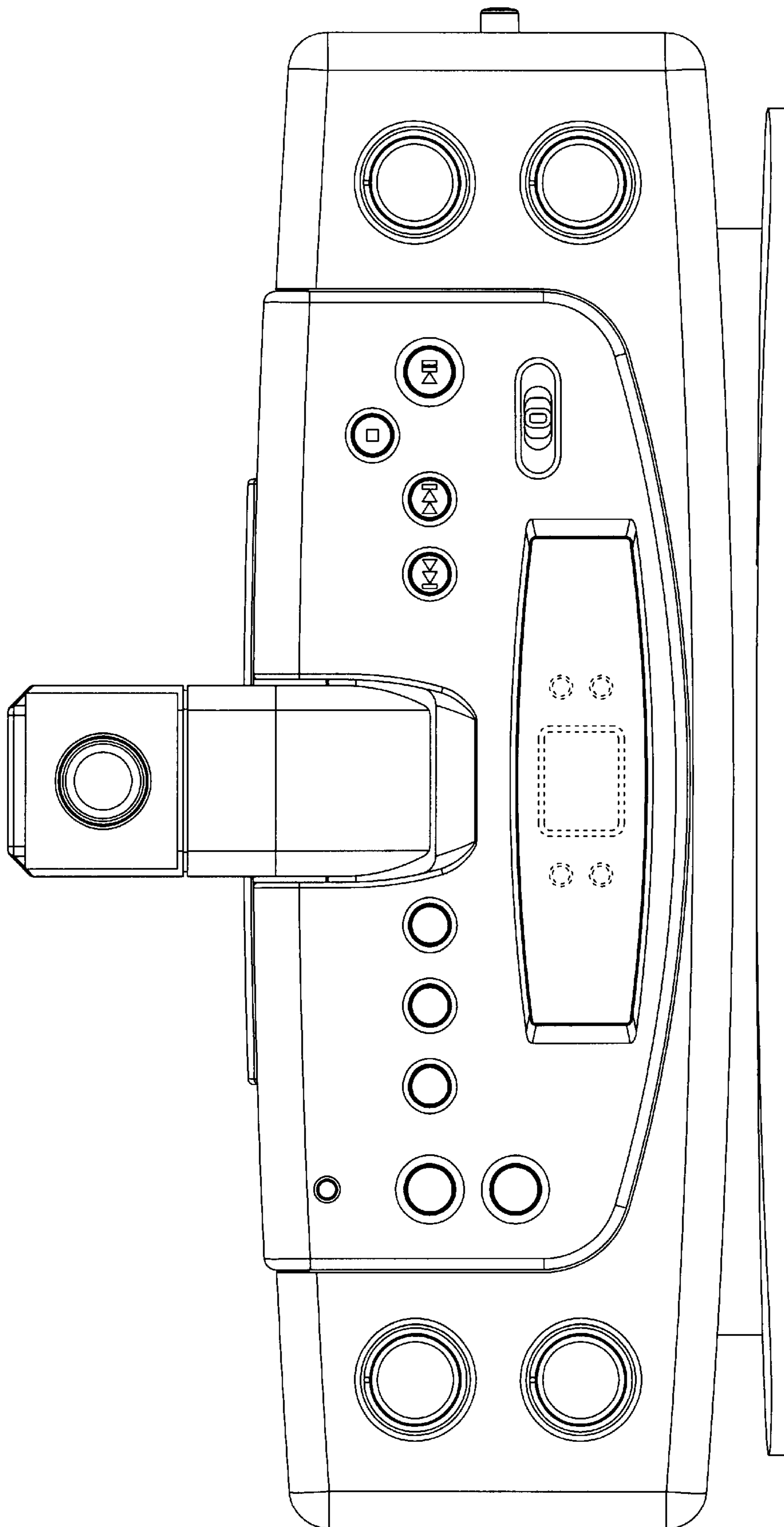


FIG. 2

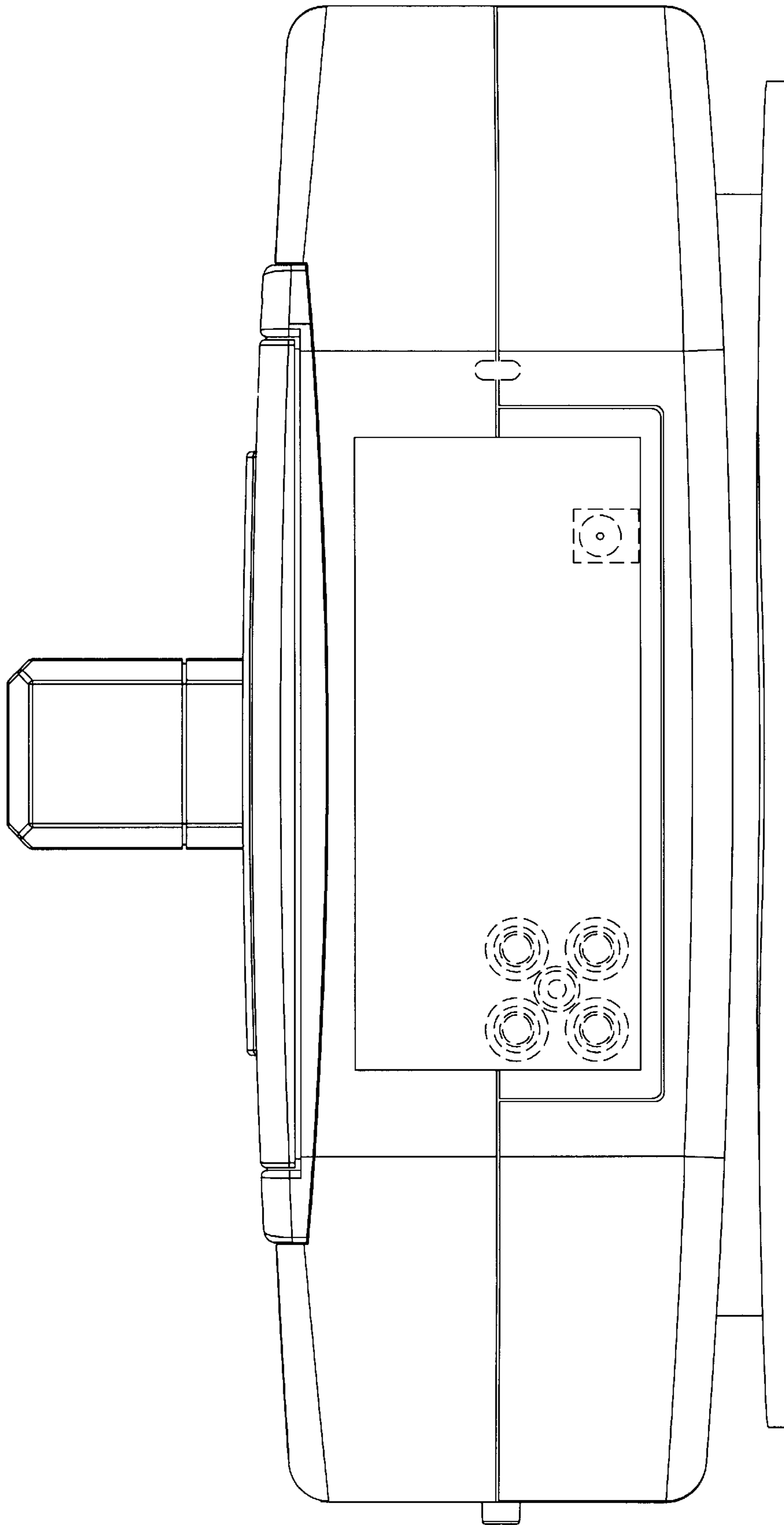


FIG. 3

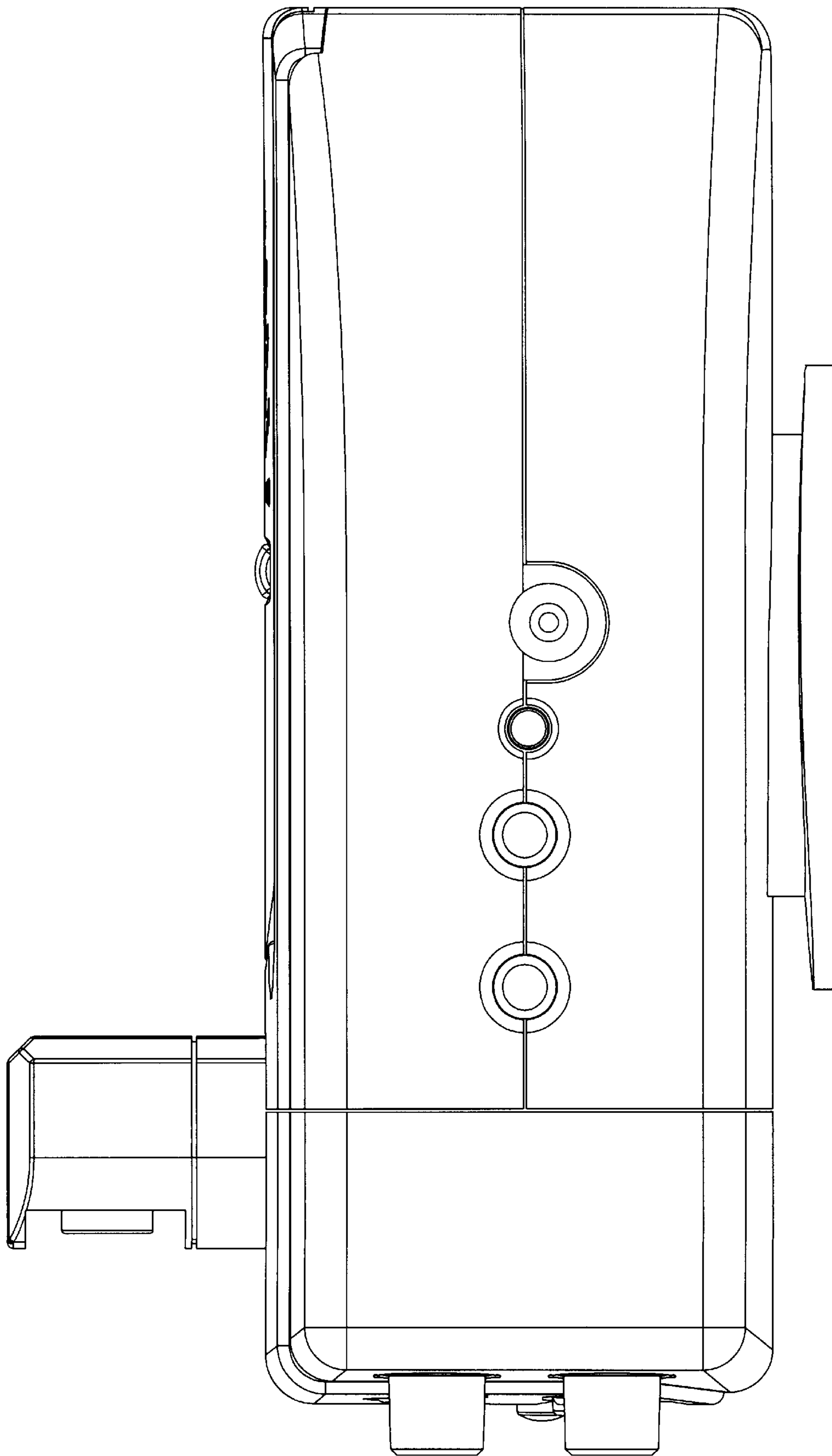


FIG. 4

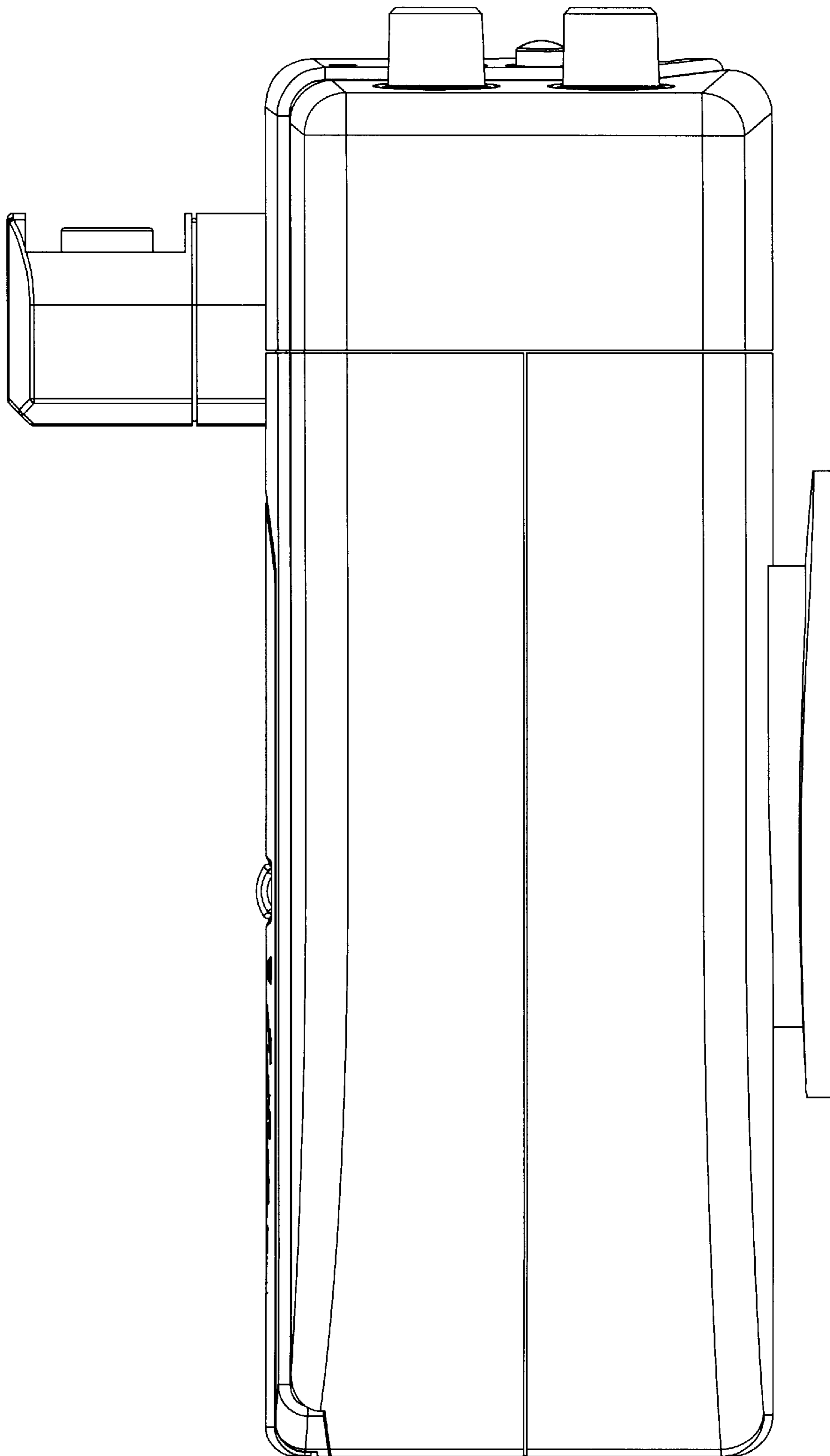


FIG. 5

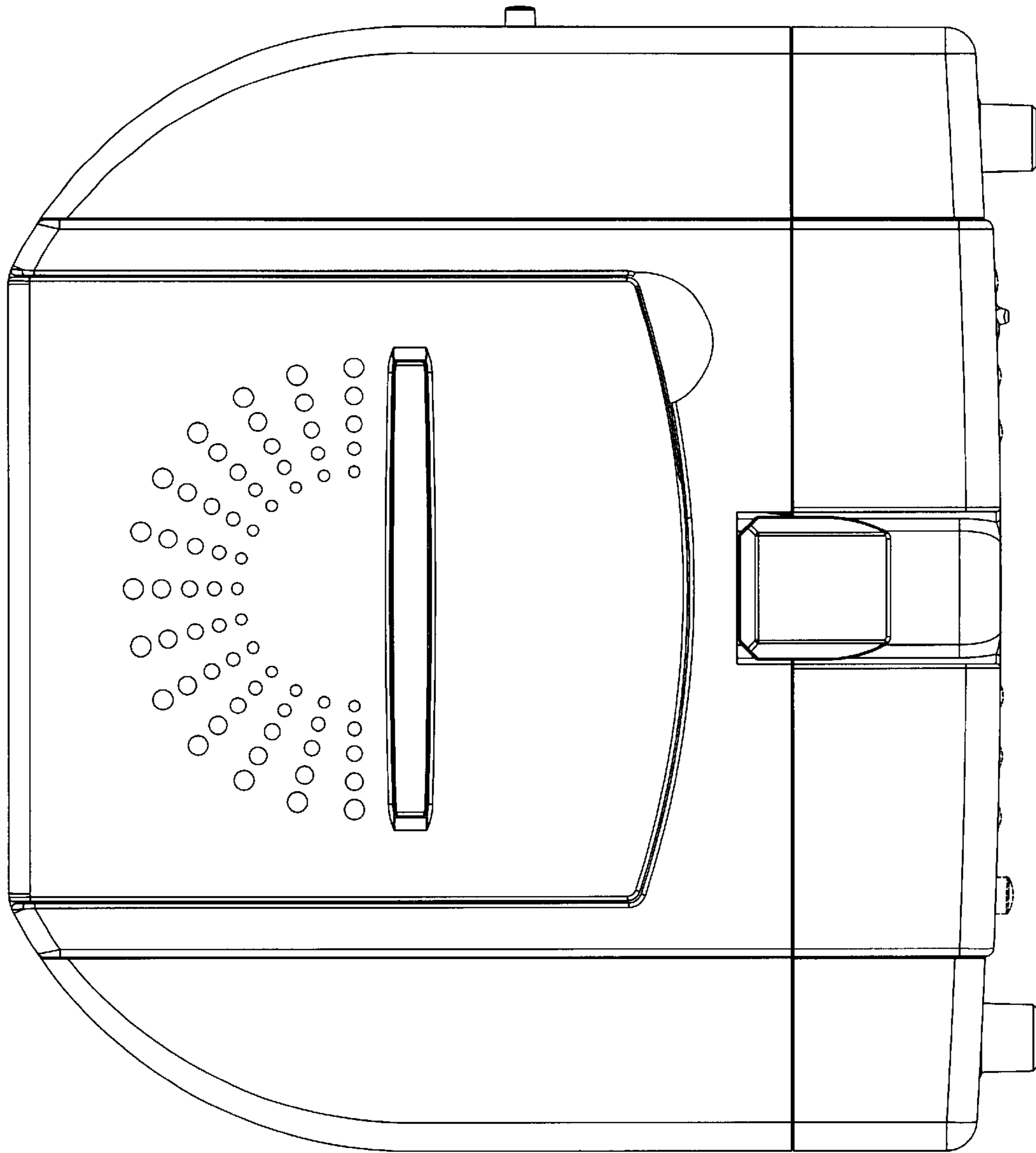


FIG. 6

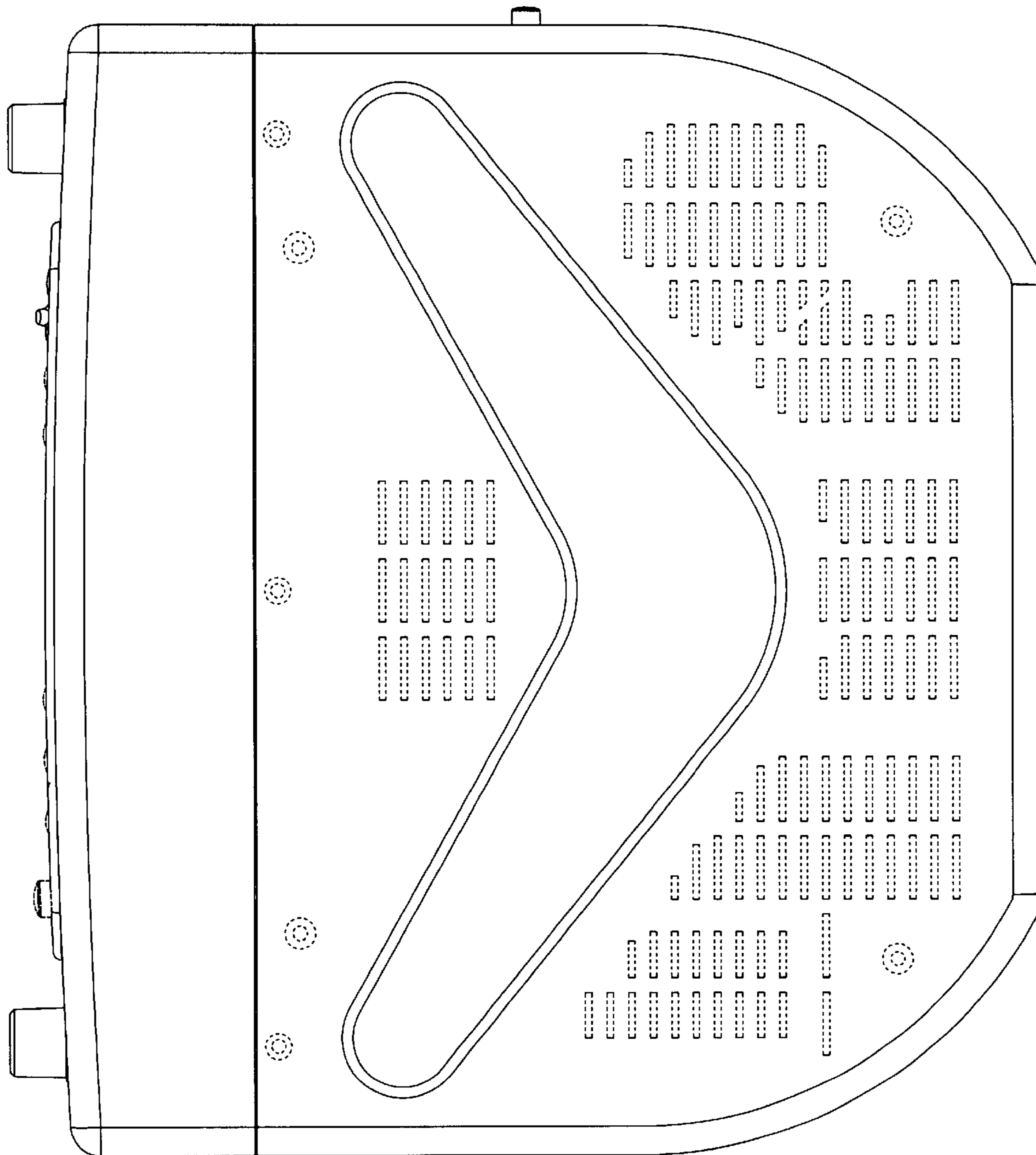


FIG. 7