

US00D524315S

(12) **United States Design Patent** (10) **Patent No.:** **US D524,315 S**  
**Reusing et al.** (45) **Date of Patent:** **\*\* Jul. 4, 2006**

(54) **MECHANICAL STAND FOR A USB OR FIREWIRE PORT DATA STORAGE DEVICE**

(75) Inventors: **Lawrence C. Reusing**, Newport Beach, CA (US); **Eric Ferry**, Montreal (CA); **Yvan Laporte**, Longueuil (CA)

(73) Assignee: **Memory Experts International, Inc.**, Santa Ana, CA (US)

(\*\*) Term: **14 Years**

(21) Appl. No.: **29/236,420**

(22) Filed: **Aug. 16, 2005**

**Related U.S. Application Data**

(62) Division of application No. 29/210,556, filed on Aug. 3, 2004.

(51) **LOC (8) Cl.** ..... **14-02**

(52) **U.S. Cl.** ..... **D14/434**

(58) **Field of Classification Search** ..... D14/434, D14/447, 432, 433, 385, 357, 149, 457, 253, D14/251, 356; D13/199, 107, 108, 118; 361/600, 361/679, 683, 686, 685, 752, 737; 200/6 R; 206/701; 320/113-115, 107; 379/426; 455/557, 455/556.1, 556.2, 561; 345/156, 901, 905; 439/374, 131, 529, 534, 929, 346, 31, 640, 439/135-6, 144, 139-141, 147, 638, 518; 235/472.01; 248/309.1, 221.11; 429/100; 360/97.01; 365/51, 63, 131; 710/52, 300  
See application file for complete search history.

(56) **References Cited**

**U.S. PATENT DOCUMENTS**

D215,303 S	*	9/1969	Carpenter	.....	D13/108
D237,893 S	*	12/1975	Wennerstrom	.....	D14/137
D320,991 S	*	10/1991	Nagai et al.	.....	D14/251
D335,861 S	*	5/1993	Tattari	.....	D13/108
D344,708 S	*	3/1994	Ho	.....	D13/108
D353,371 S	*	12/1994	Delhaes	.....	D14/149
D370,658 S	*	6/1996	Siddoway et al.	.....	D13/108
D373,124 S	*	8/1996	Behar et al.	.....	D14/148
D386,495 S	*	11/1997	Schmoll	.....	D14/149
D411,824 S	*	7/1999	Wilson et al.	.....	D13/108

D412,494 S	*	8/1999	Tamaki et al.	.....	D14/314
D419,160 S	*	1/2000	Davidson et al.	.....	D14/253
D419,955 S	*	2/2000	Silzer, Jr.	.....	D13/108
D442,141 S	*	5/2001	Ikenaga	.....	D13/107
D444,449 S	*	7/2001	Yamamoto	.....	D13/107
D453,155 S	*	1/2002	Michel	.....	D14/253
D454,131 S	*	3/2002	Lord	.....	D14/434
D455,397 S	*	4/2002	Weiner et al.	.....	D13/108
D460,962 S	*	7/2002	Peiker	.....	D14/253
D462,689 S		9/2002	Moran		
D463,426 S		9/2002	Cheng		
6,456,500 B1		9/2002	Chen		
D470,499 S		2/2003	Salazar et al.		
6,522,534 B1		2/2003	Wu		
D471,516 S		3/2003	Tsay et al.		
D471,548 S	*	3/2003	Zheng	.....	D14/253
D472,900 S	*	4/2003	Matsumoto	.....	D14/447
D474,737 S	*	5/2003	Yoshida	.....	D13/108
D475,996 S		6/2003	Skulley		
D480,393 S	*	10/2003	Toor et al.	.....	D14/253
D489,325 S	*	5/2004	Nakamura	.....	D13/110
D503,700 S	*	4/2005	Mamero	.....	D14/149
2002/0177362 A1		11/2002	Chang		
2003/0099090 A1		5/2003	Su		
2003/0103369 A1		6/2003	Wu		

\* cited by examiner

*Primary Examiner*—Alan P. Douglas

*Assistant Examiner*—Susan Moon Lee

(74) *Attorney, Agent, or Firm*—Stetina Brunda Garred & Brucker

(57) **CLAIM**

The ornamental design for a mechanical stand for a USB or firewire port data storage device, as shown and described.

**DESCRIPTION**

FIG. 1 is a top perspective view of the mechanical stand for a USB or firewire port data storage device with the phantom lines depicting the mechanical casing removed from the stand;

FIG. 2 is a top plan view thereof;

FIG. 3 is left side elevational view thereof;

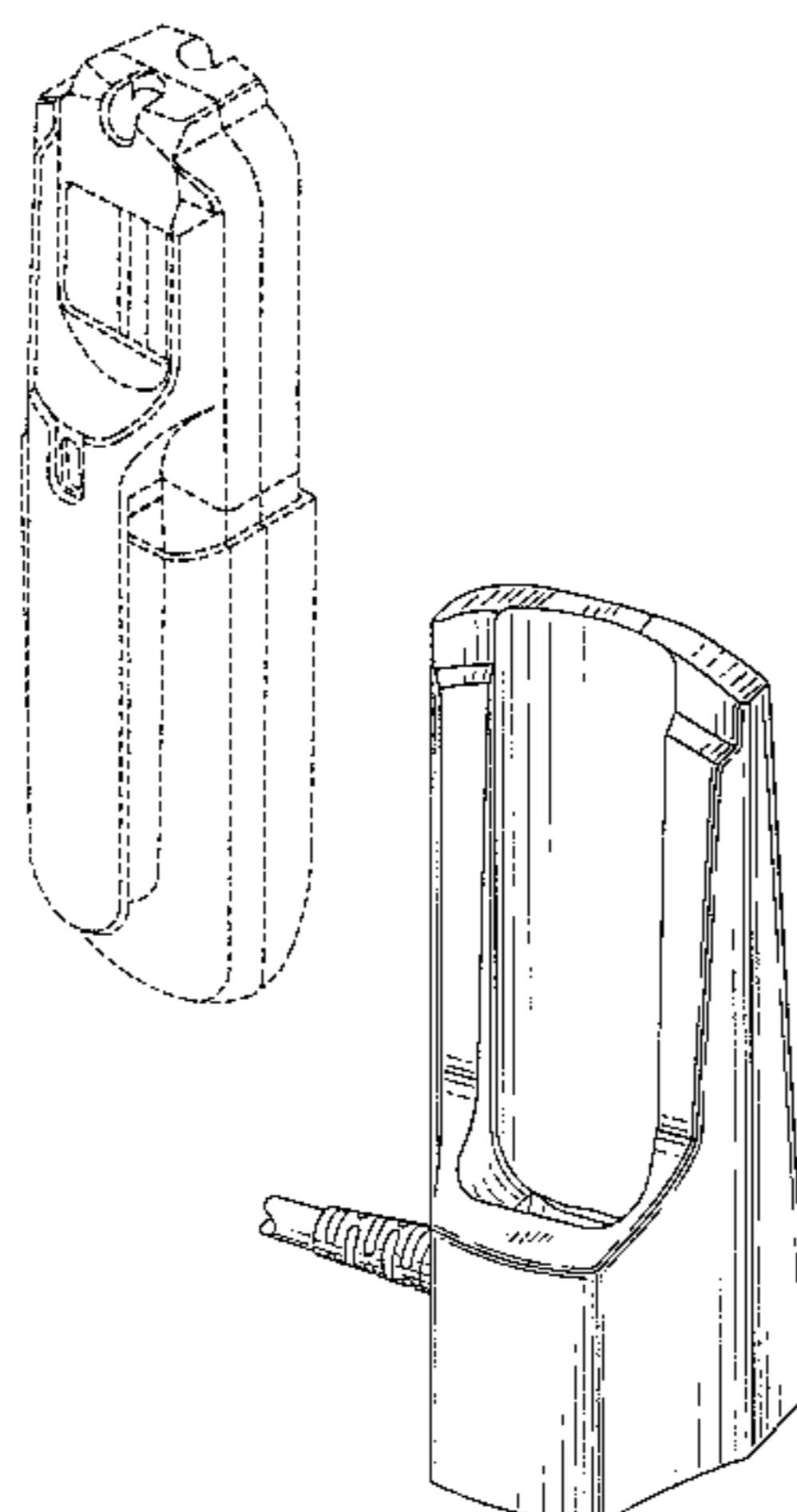
FIG. 4 is a front elevational view thereof;

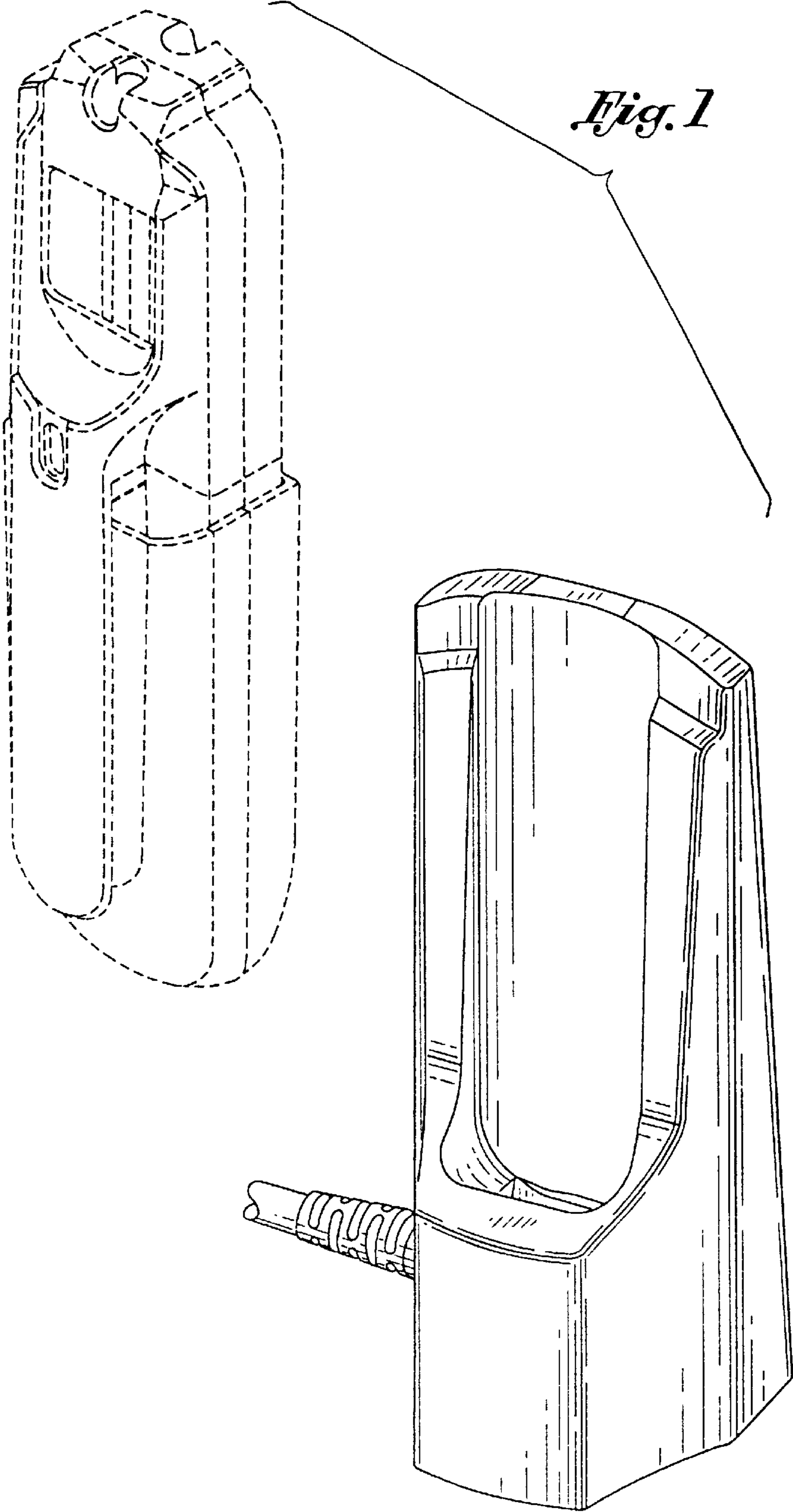
FIG. 5 is a right side elevational view thereof;

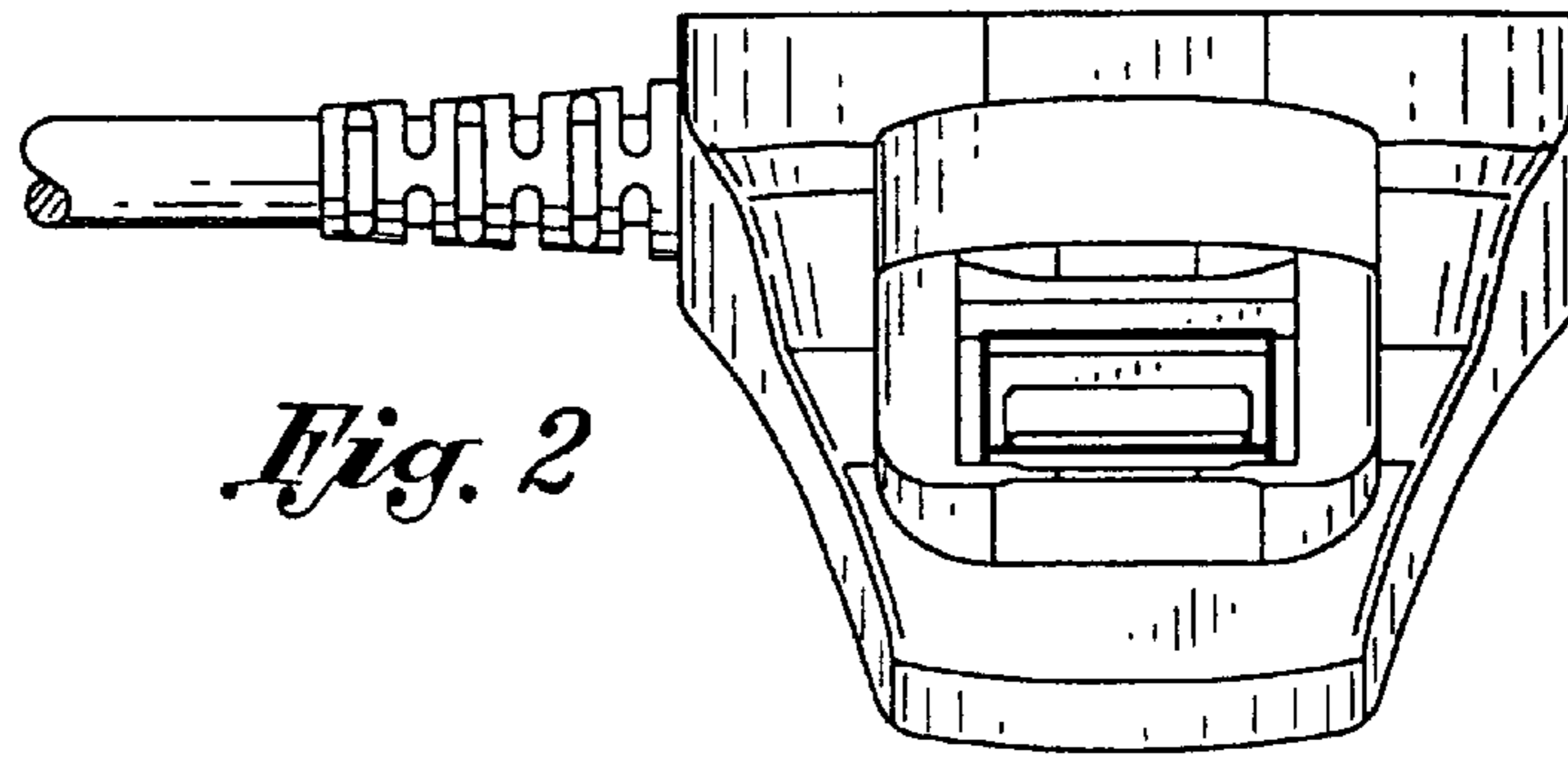
FIG. 6 is a rear elevational view thereof; and,

FIG. 7 is a bottom plan view thereof.

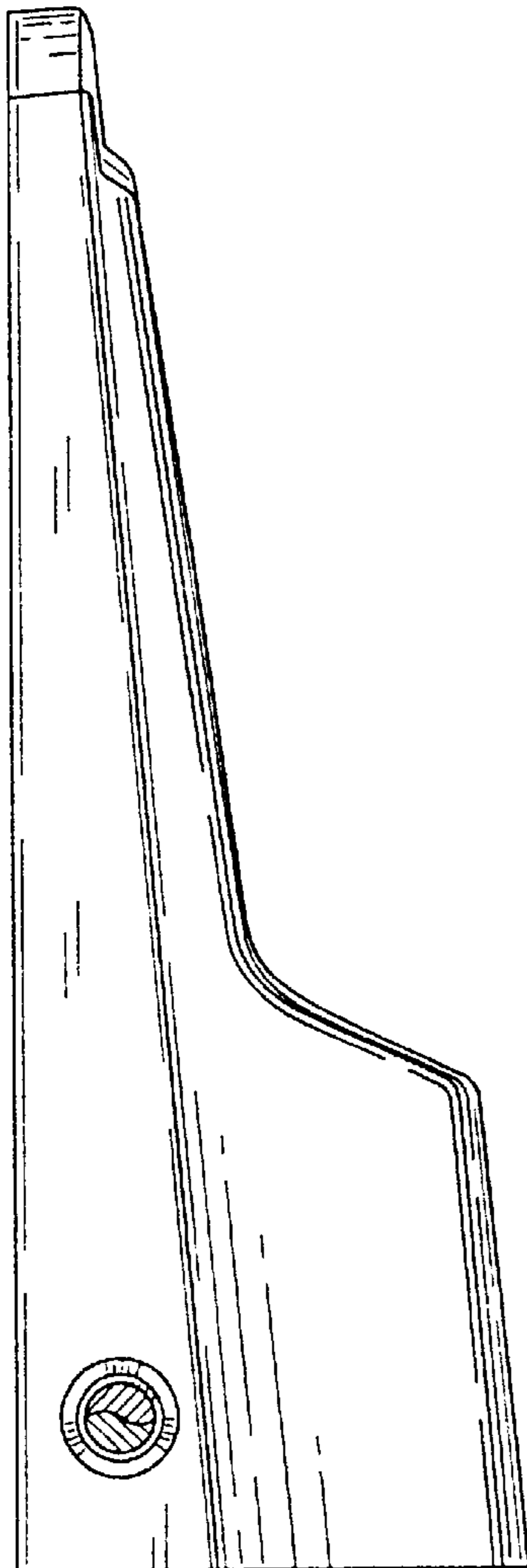
**1 Claim, 3 Drawing Sheets**



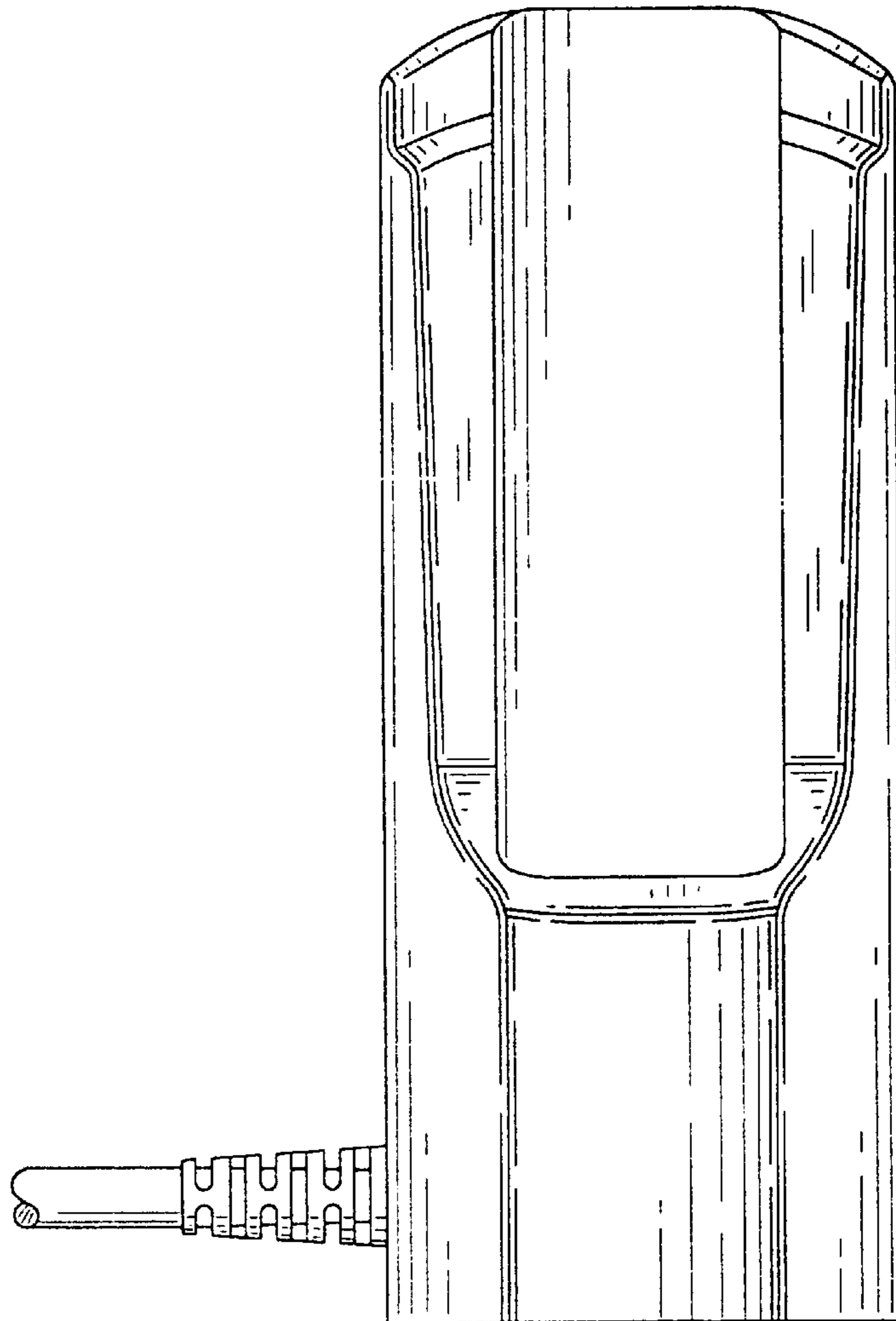




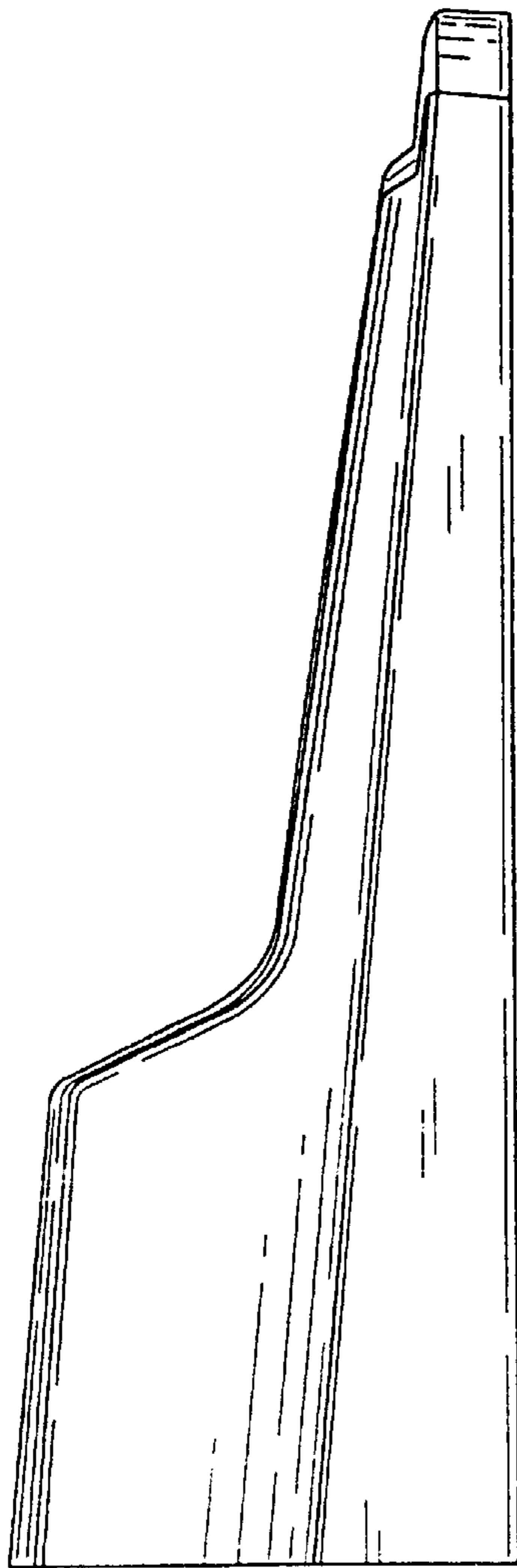
*Fig. 2*



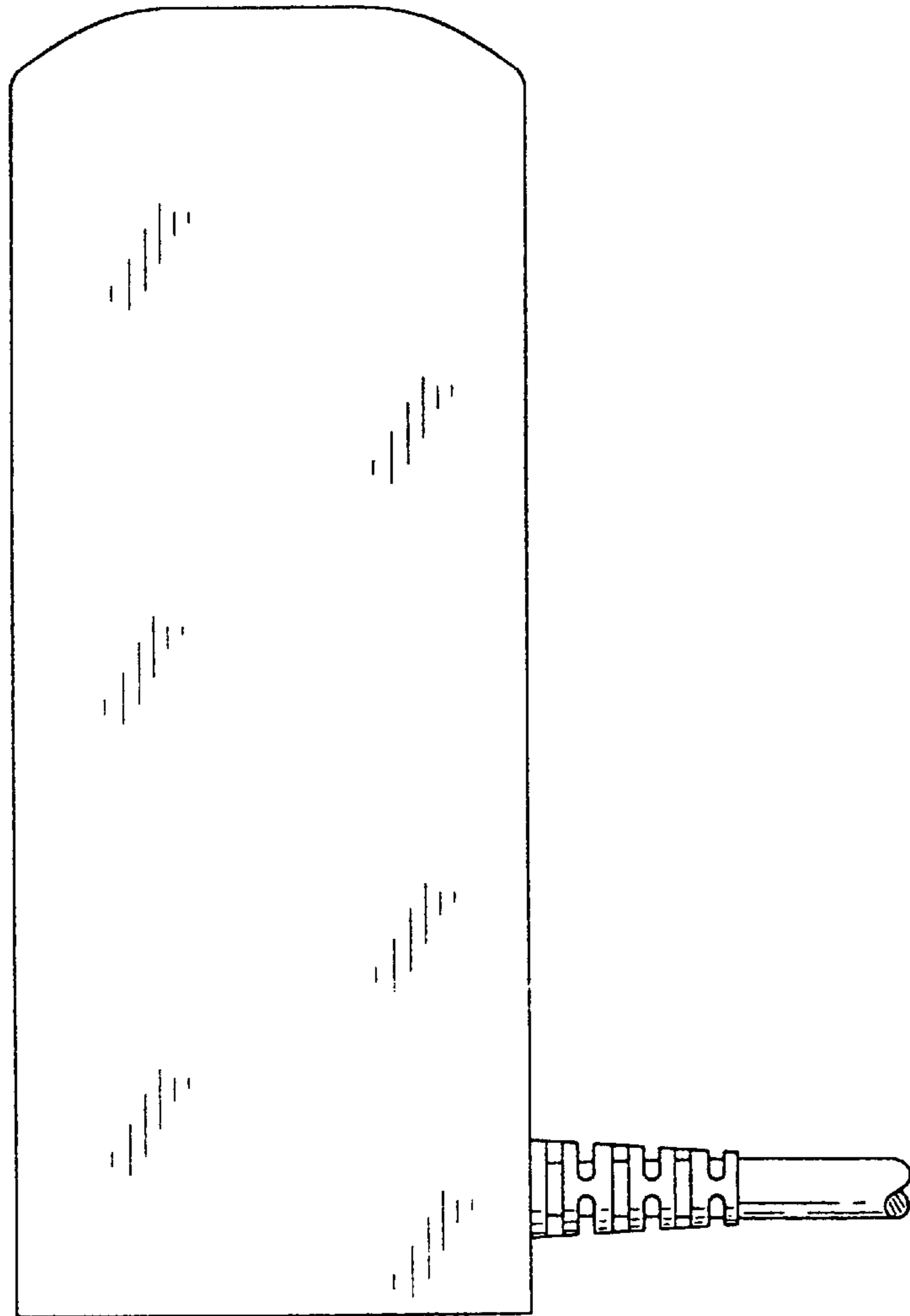
*Fig. 3*



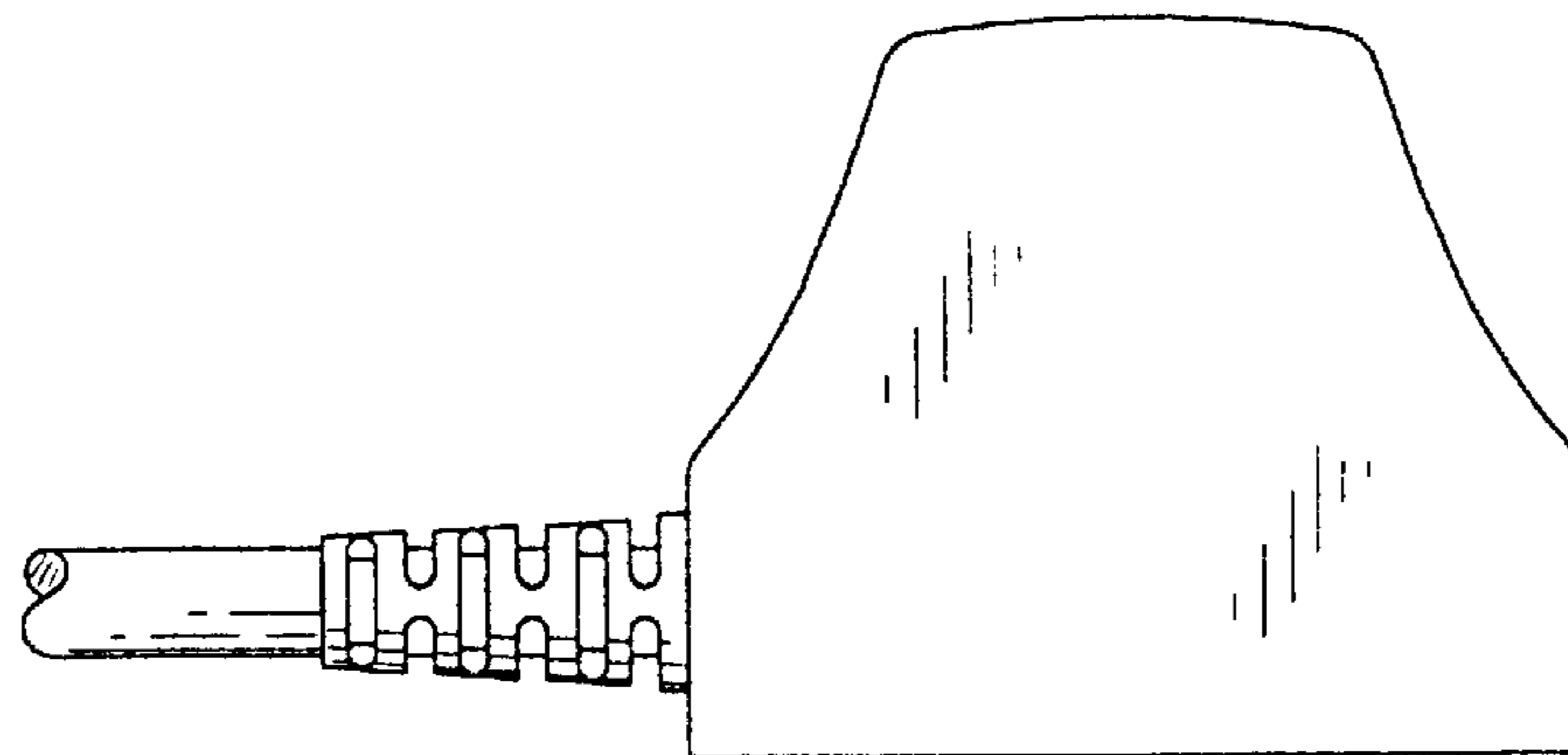
*Fig. 4*



*Fig. 5*



*Fig. 6*



*Fig. 7*