



US00D524314S

(12) **United States Design Patent**  
**Nakamura et al.**

(10) **Patent No.:** **US D524,314 S**  
(45) **Date of Patent:** **\*\* Jul. 4, 2006**

(54) **FRAME FOR USE WITH ELECTRICAL CONNECTOR AND ELECTRICAL CARD**

(75) Inventors: **Keisuke Nakamura**, Tokyo (JP);  
**Masayuki Katayanagi**, Tokyo (JP)

(73) Assignee: **Japan Aviation Electronics Industry, Limited**, Tokyo (JP)

(\*\*) Term: **14 Years**

(21) Appl. No.: **29/226,335**

(22) Filed: **Mar. 28, 2005**

(30) **Foreign Application Priority Data**

Sep. 30, 2004 (JP) ..... 2004-033215

(51) **LOC (8) Cl.** ..... **14-02**

(52) **U.S. Cl.** ..... **D14/433**

(58) **Field of Classification Search** ..... 439/630,  
439/267, 260, 159, 152, 946, 566, 607, 79,  
439/610, 188, 144; D14/432, 433, 435, 439,  
D14/440; D13/146-7, 133; 361/679, 818,  
361/800, 816, 752-3, 685; 235/480-3, 441;  
174/35 GC, 35 R

See application file for complete search history.

(56) **References Cited**

**U.S. PATENT DOCUMENTS**

6,152,779 A \* 11/2000 Madsen et al. .... 439/676  
6,174,180 B1 \* 1/2001 Chen ..... 439/159  
6,377,472 B1 \* 4/2002 Fan ..... 361/800

D482,692 S \* 11/2003 Nishio et al. .... D14/433  
6,674,653 B1 \* 1/2004 Valentine ..... 361/818  
6,977,822 B1 \* 12/2005 Otani et al. .... 361/800  
2003/0011978 A1 \* 1/2003 Moore ..... 361/685  
2003/0199199 A1 \* 10/2003 Machihara et al. .... 439/630  
2003/0231463 A1 \* 12/2003 Hood et al. .... 361/685  
2004/0029446 A1 \* 2/2004 Ooya et al. .... 439/630  
2004/0043664 A1 \* 3/2004 Sato et al. .... 439/630

\* cited by examiner

*Primary Examiner*—M. H. Tung

*Assistant Examiner*—Susan Moon Lee

(74) *Attorney, Agent, or Firm*—Collard & Roe, P.C.

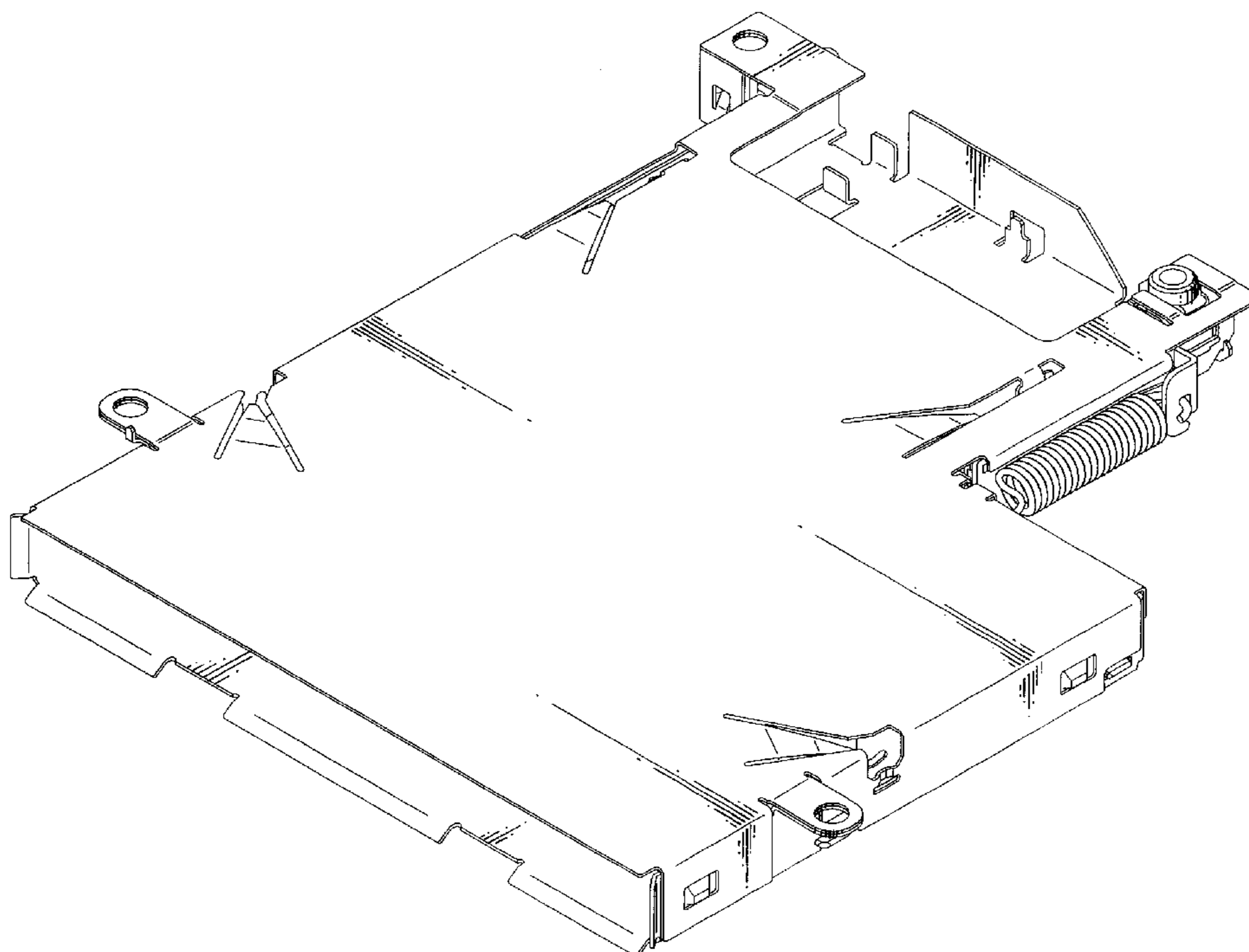
(57) **CLAIM**

The ornamental design for a frame for use with electrical connector and electrical card, as shown and described.

**DESCRIPTION**

FIG. 1 is a front elevational view of a frame for use with electrical connector and electrical card;  
FIG. 2 is a top plan view thereof;  
FIG. 3 is a rear elevational view thereof;  
FIG. 4 is a bottom plan view thereof;  
FIG. 5 is a left side elevational view thereof;  
FIG. 6 is a right side elevational view thereof;  
FIG. 7 is a front, top and right side perspective view thereof; and,  
FIG. 8 is a front, bottom, and left side perspective view thereof.

**1 Claim, 5 Drawing Sheets**



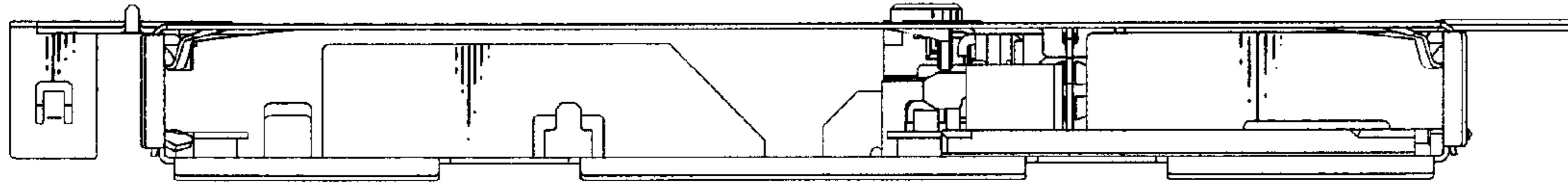


FIG. 1

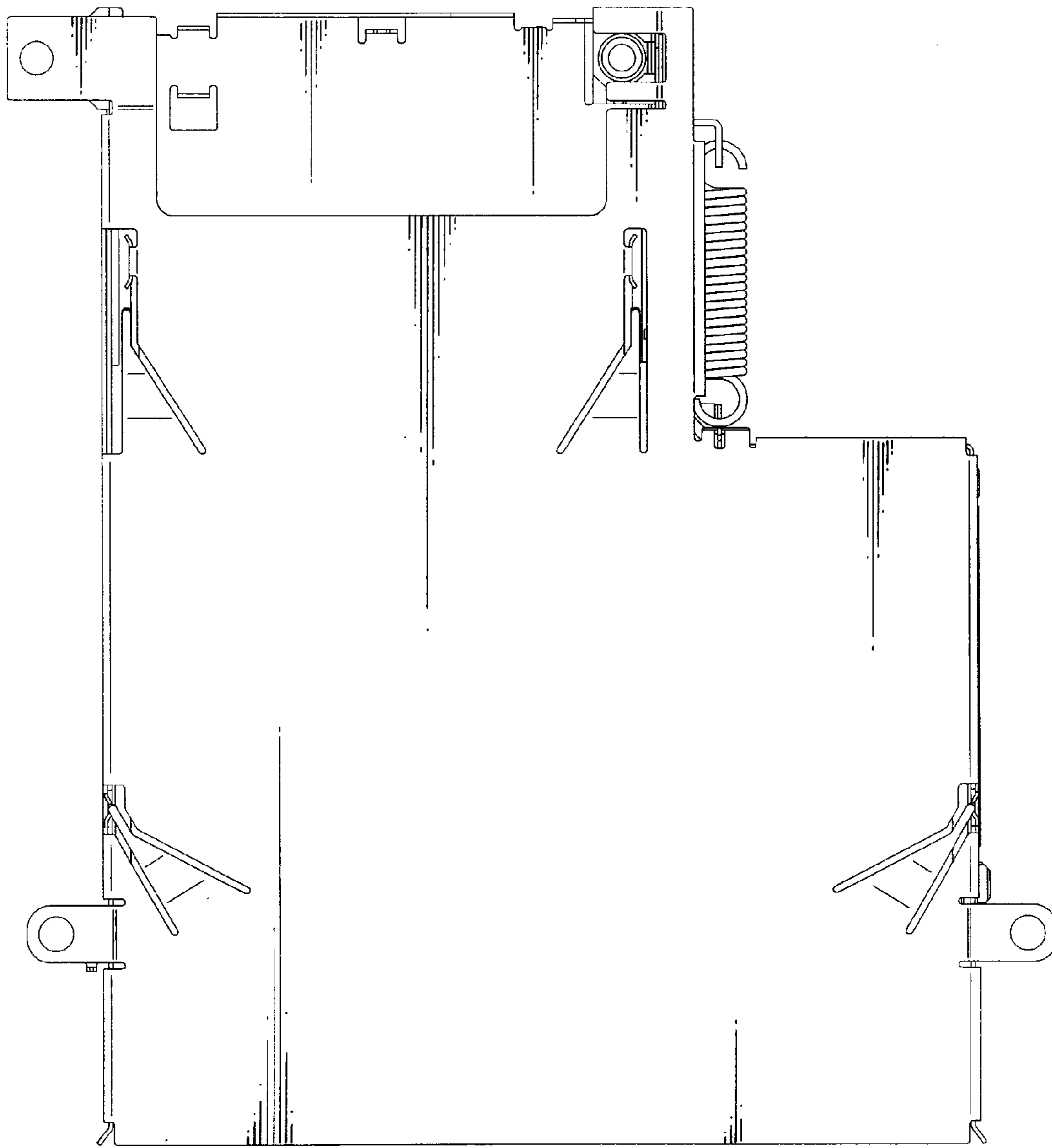


FIG. 2

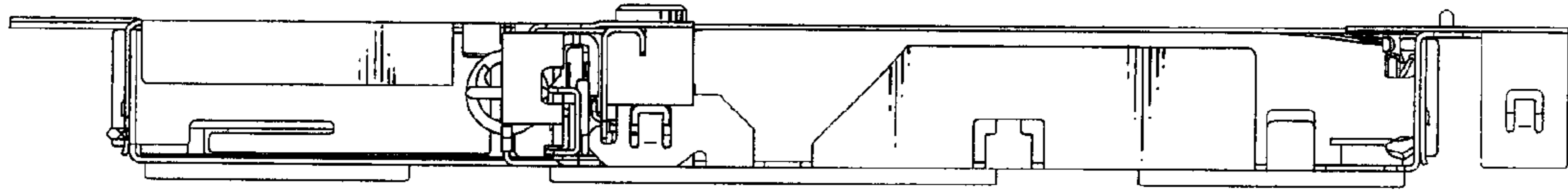


FIG. 3

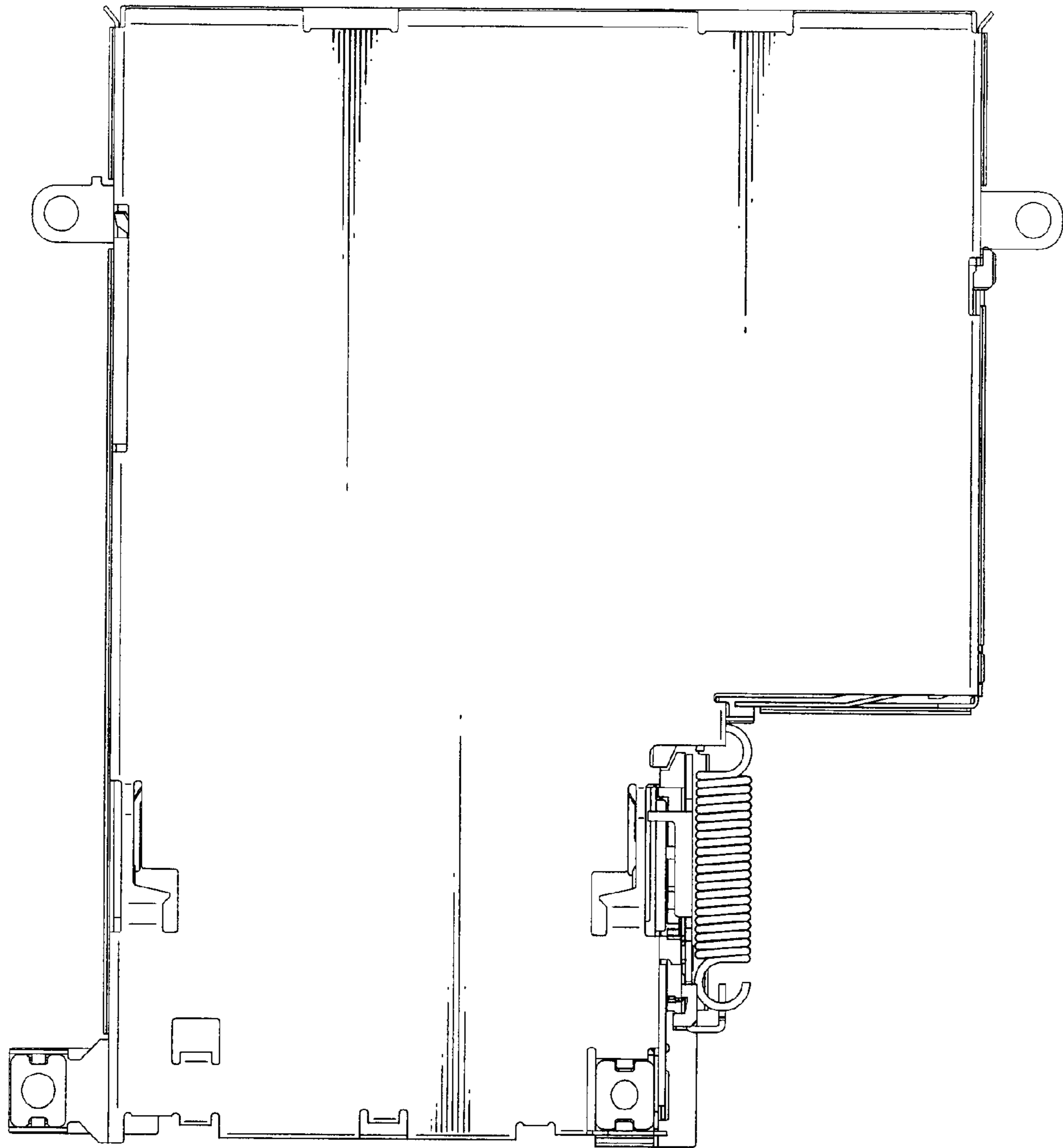


FIG. 4

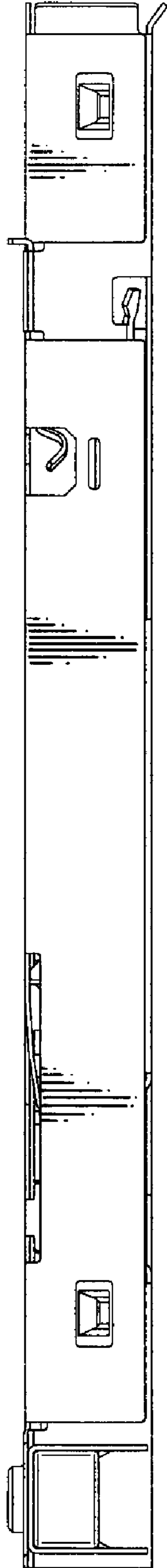


FIG. 5

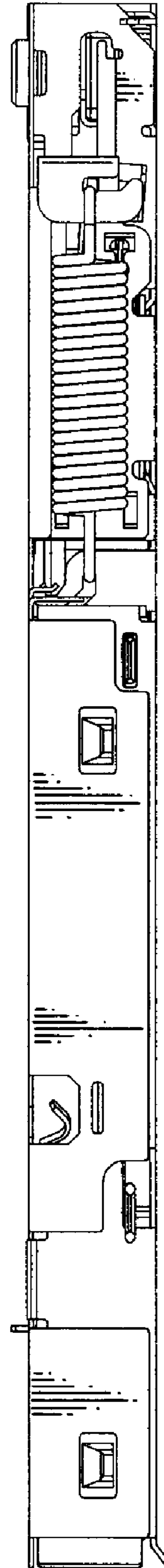


FIG. 6

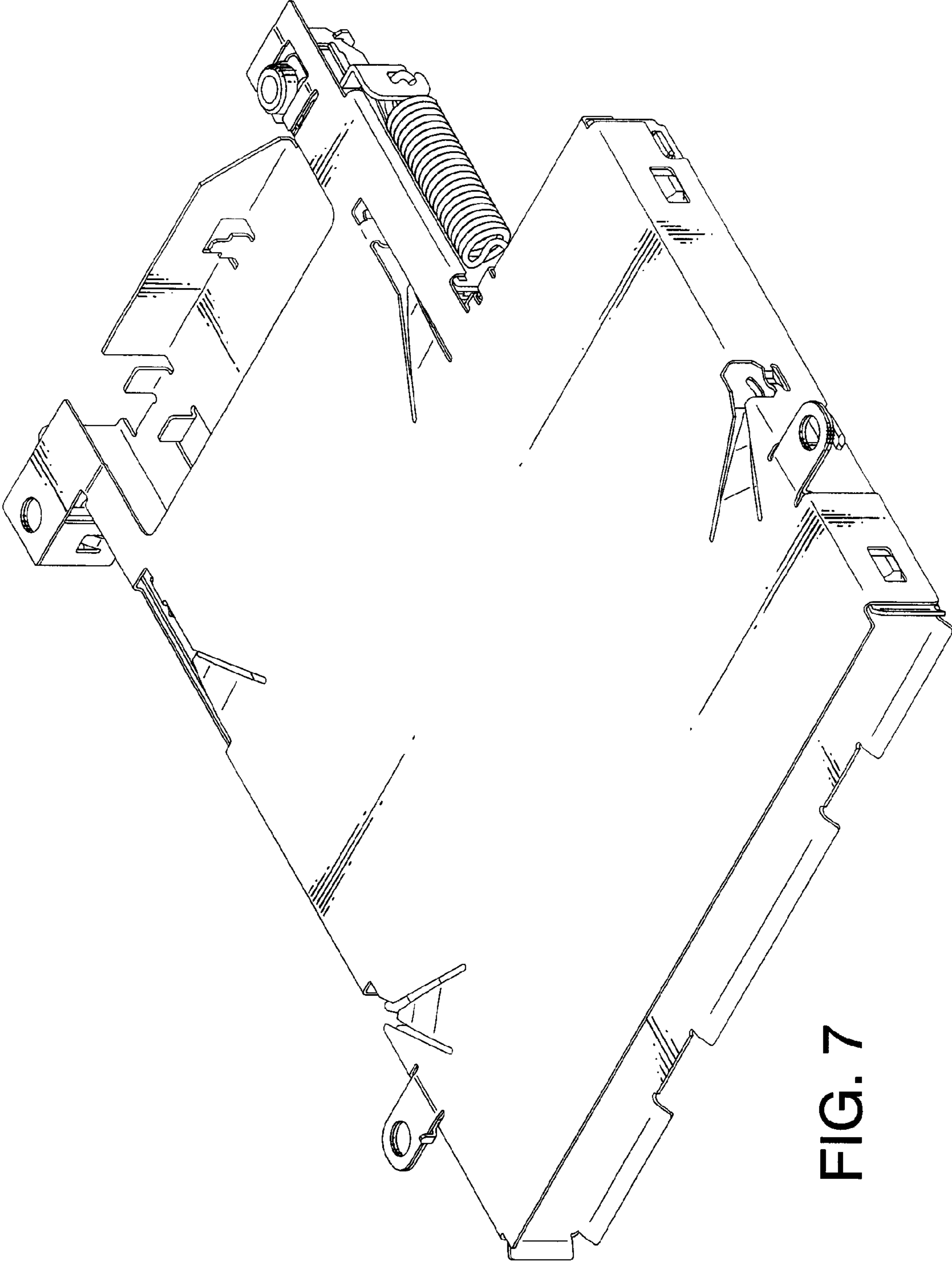


FIG. 7

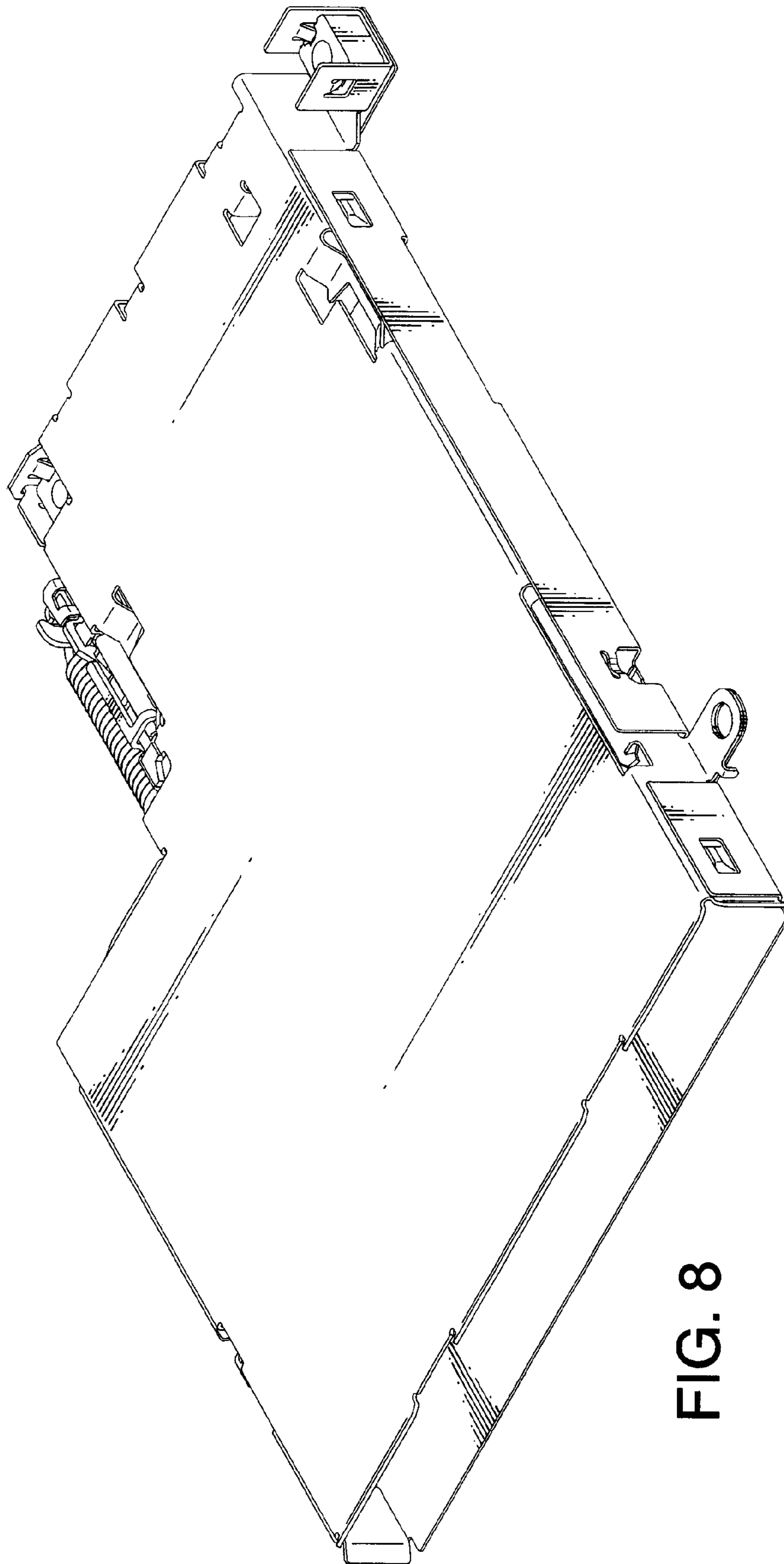


FIG. 8