



US00D524312S

(12) **United States Design Patent**
Young

(10) **Patent No.:** **US D524,312 S**

(45) **Date of Patent:** **** Jul. 4, 2006**

(54) **LIQUID CRYSTAL DISPLAY**

(75) Inventor: **Kai Li Young**, Taipei (TW)

(73) Assignee: **Associated Industries China, Inc.**,
Taipei (TW)

(**) Term: **14 Years**

(21) Appl. No.: **29/230,453**

(22) Filed: **May 23, 2005**

(51) **LOC (8) Cl.** **14-02**

(52) **U.S. Cl.** **D14/375**

(58) **Field of Classification Search** D14/371-375,
D14/125-129, 211; 345/104, 156, 168, 173,
345/901-905; 348/180, 184, 325, 739; 248/918-924,
248/146; 349/1, 2, 11, 62; 341/12; 361/680-686
See application file for complete search history.

(56) **References Cited**

U.S. PATENT DOCUMENTS

D290,702 S	*	7/1987	Stern et al.	D14/375
D355,170 S	*	2/1995	Mizusugi et al.	D14/336
D364,857 S	*	12/1995	Chou	D14/375
D387,040 S	*	12/1997	Iino	D14/375
D403,670 S	*	1/1999	Liao	D14/375

D430,121 S	*	8/2000	Revoldini	D14/374
D467,897 S	*	12/2002	Lin	D14/211
D481,727 S	*	11/2003	Olson et al.	D14/375
D489,067 S	*	4/2004	Olson et al.	D14/375
6,788,527 B1	*	9/2004	Doczy et al.	361/680
D498,234 S	*	11/2004	Yang	D14/375

* cited by examiner

Primary Examiner—Freda S. Nunn

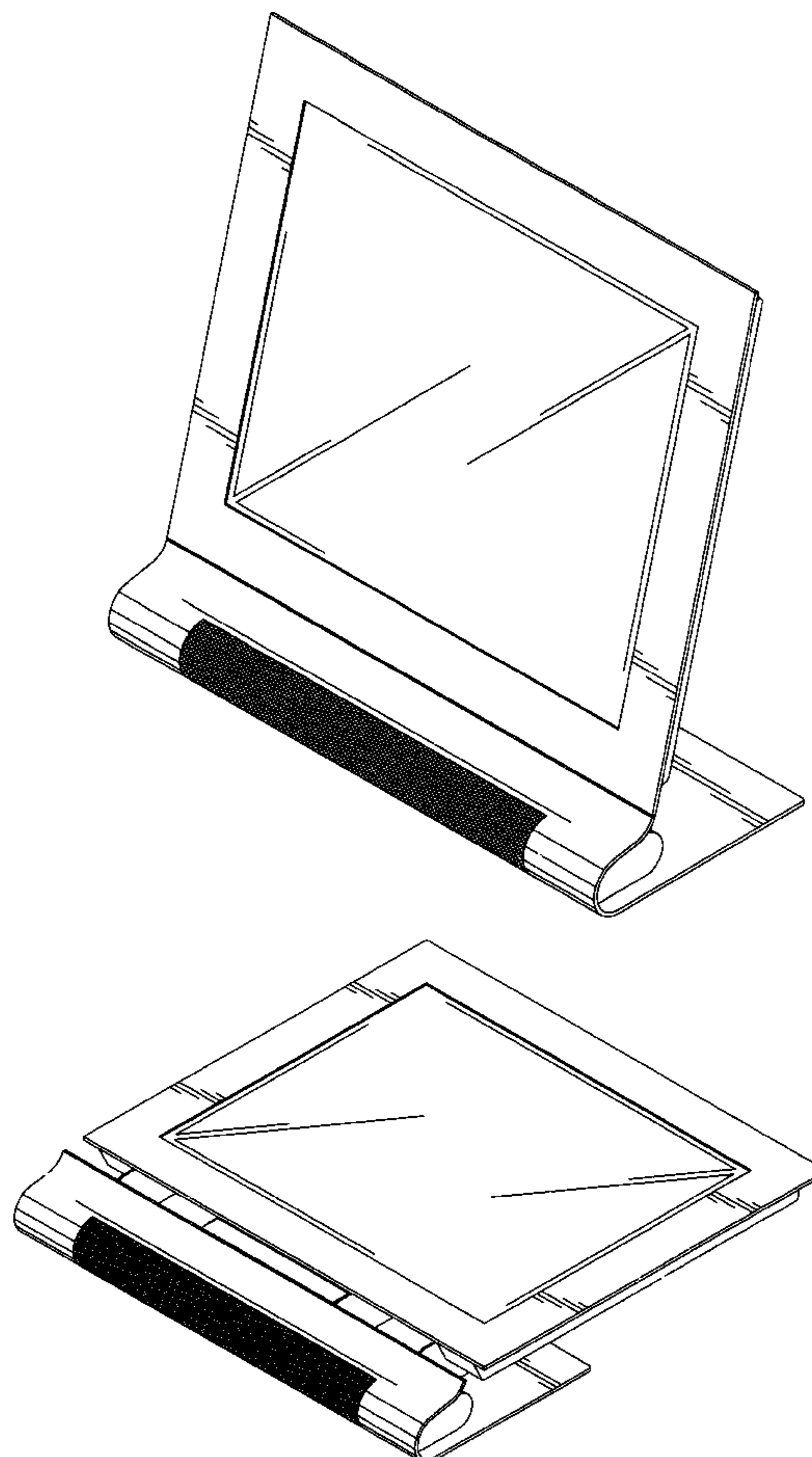
(57) **CLAIM**

The ornamental design for a liquid crystal display, as shown and described.

DESCRIPTION

FIG. 1 is a perspective view of a liquid crystal display showing my new design;
 FIG. 2 is a front elevational view thereof.
 FIG. 3 is a rear elevational view thereof.
 FIG. 4 is a right side view thereof.
 FIG. 5 is a left side view thereof.
 FIG. 6 is a top plan view thereof.
 FIG. 7 is a bottom plan view thereof.
 FIG. 8 is an alternate perspective view thereof; and,
 FIG. 9 is another perspective view thereof.

1 Claim, 9 Drawing Sheets



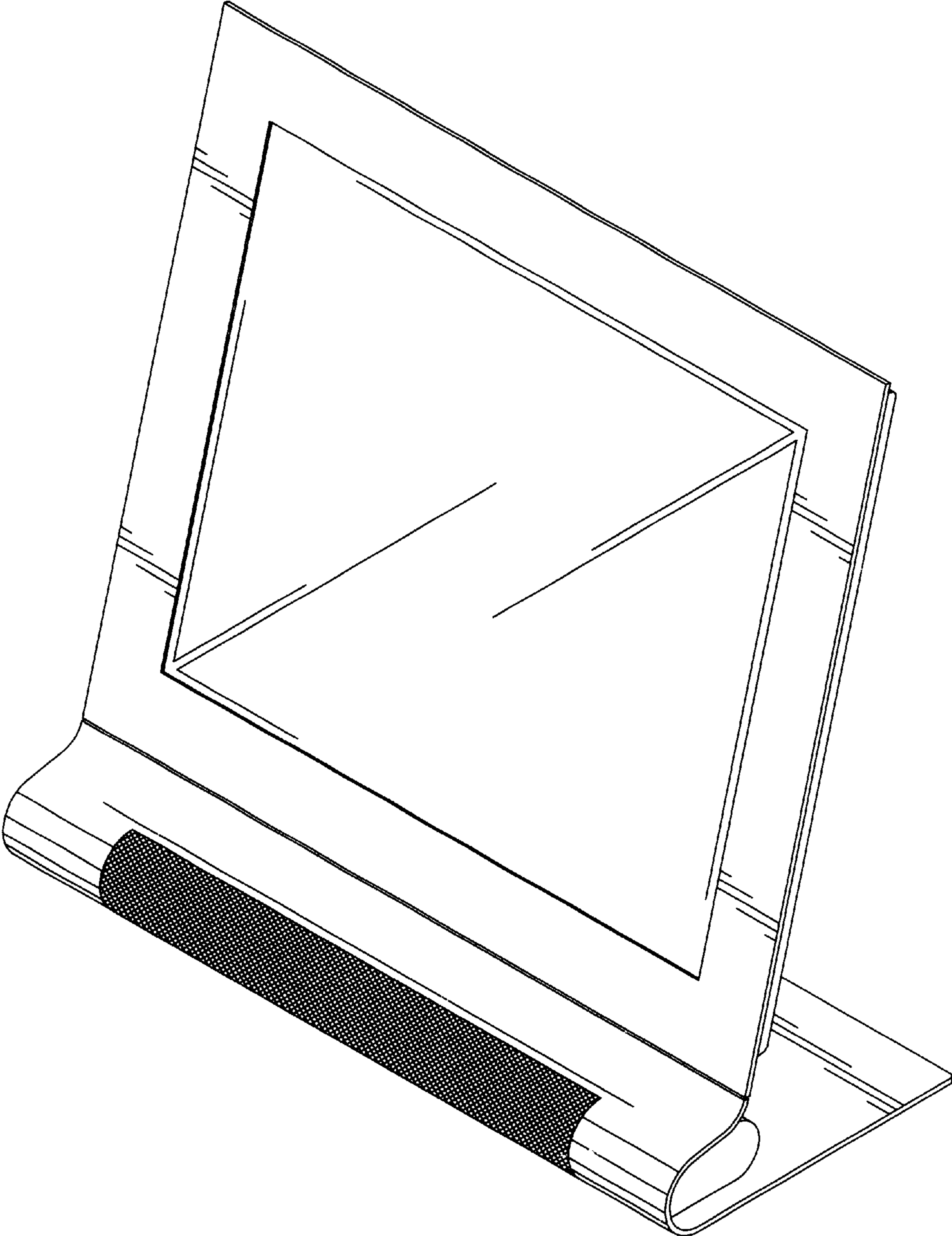


Fig. 1

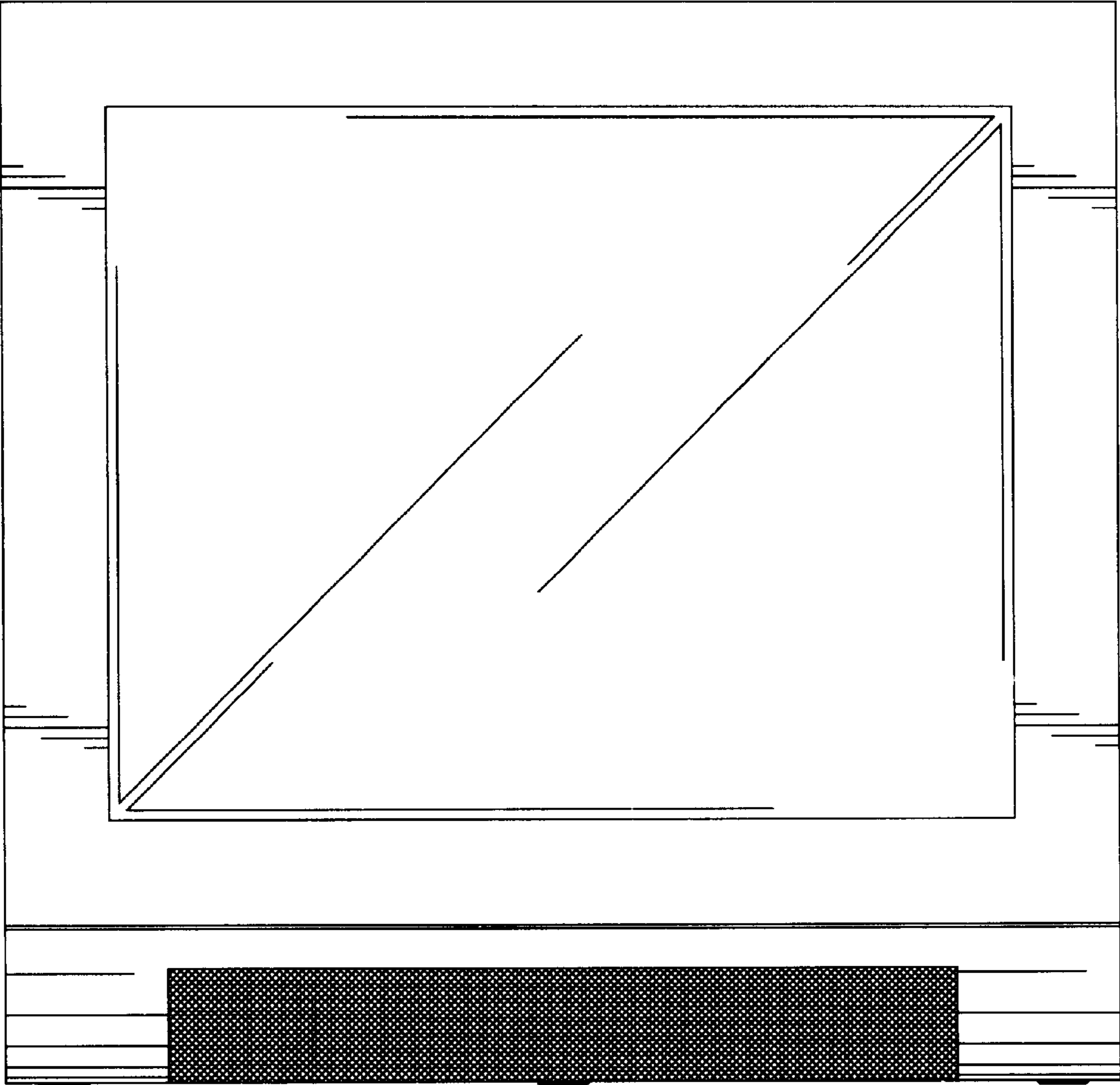


Fig. 2

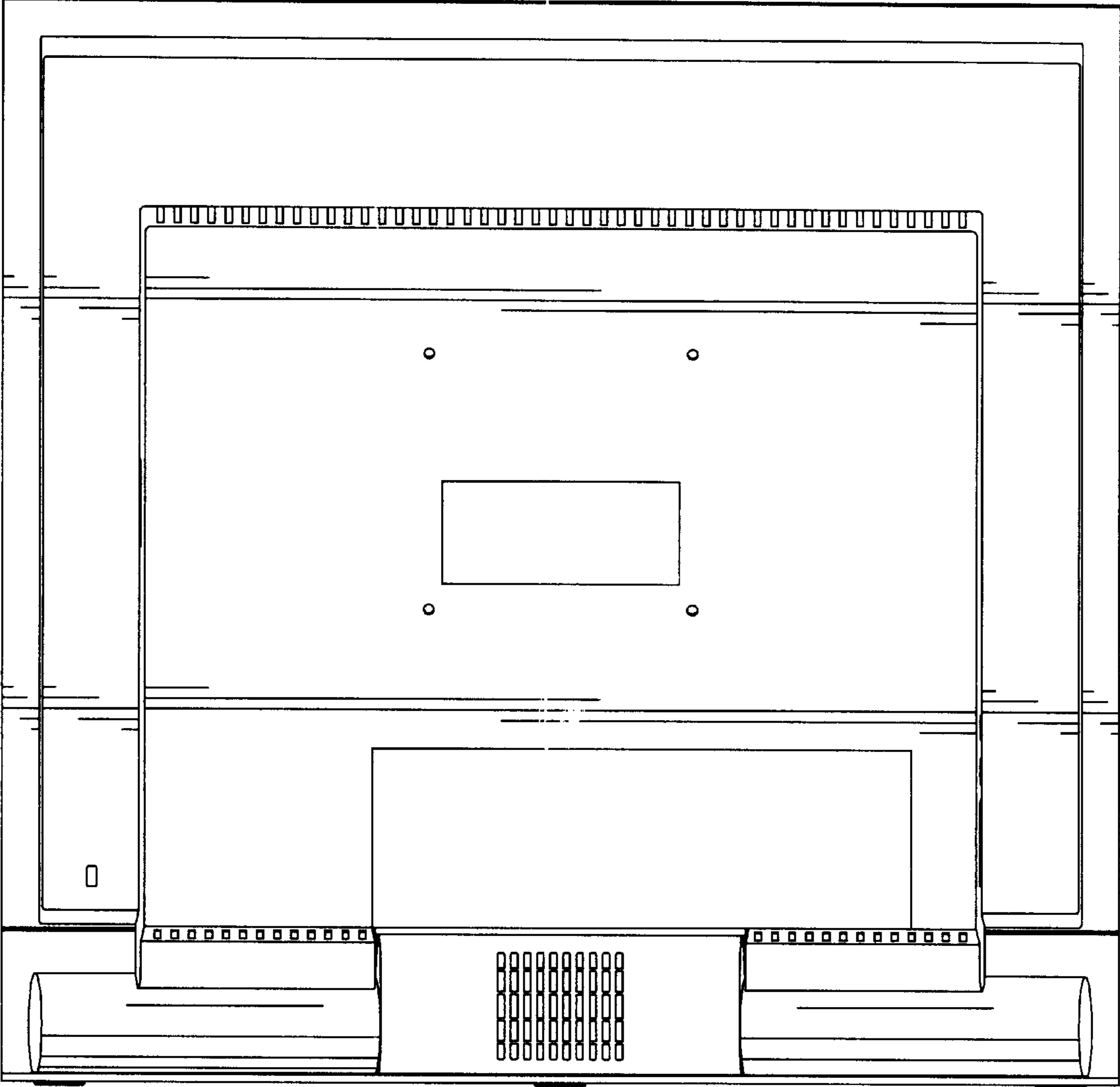


Fig. 3

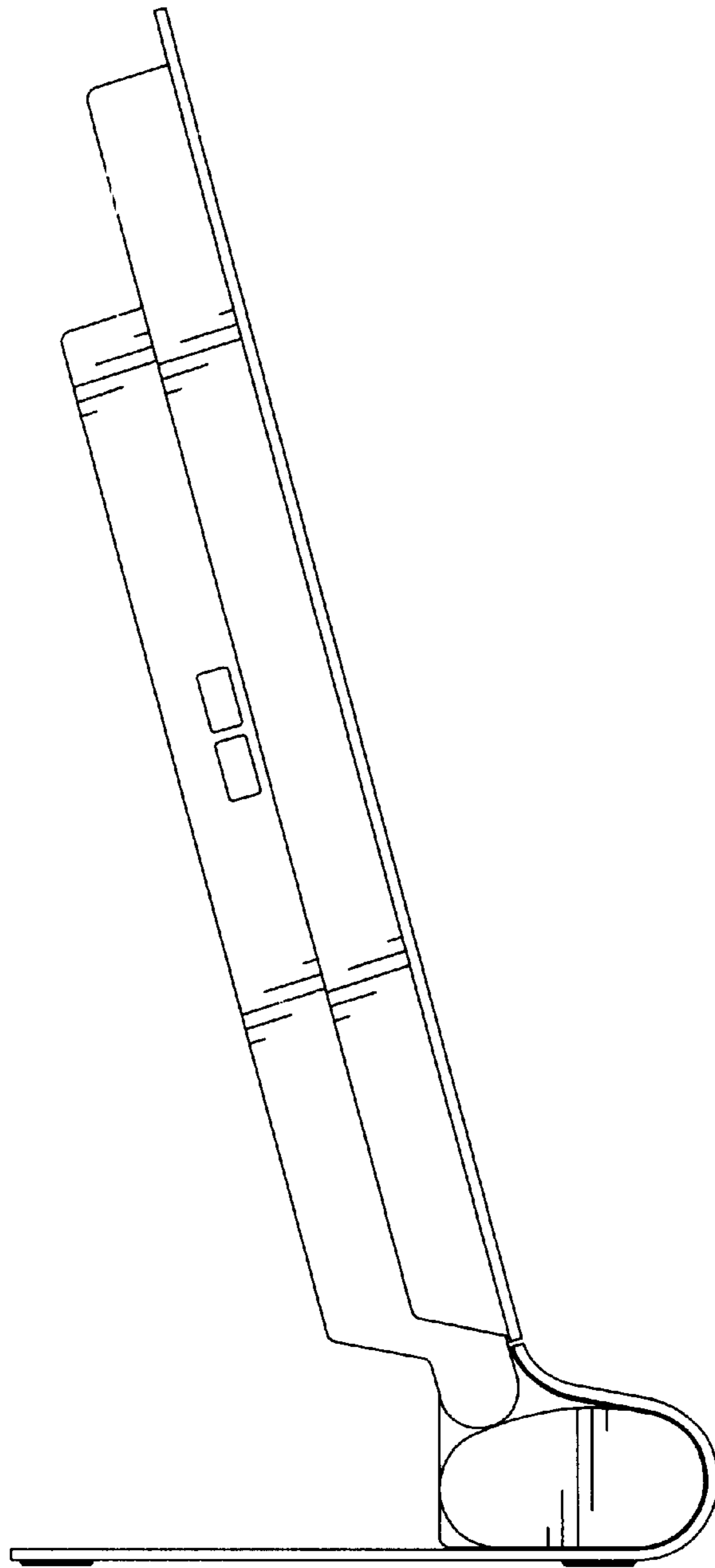


Fig. 4

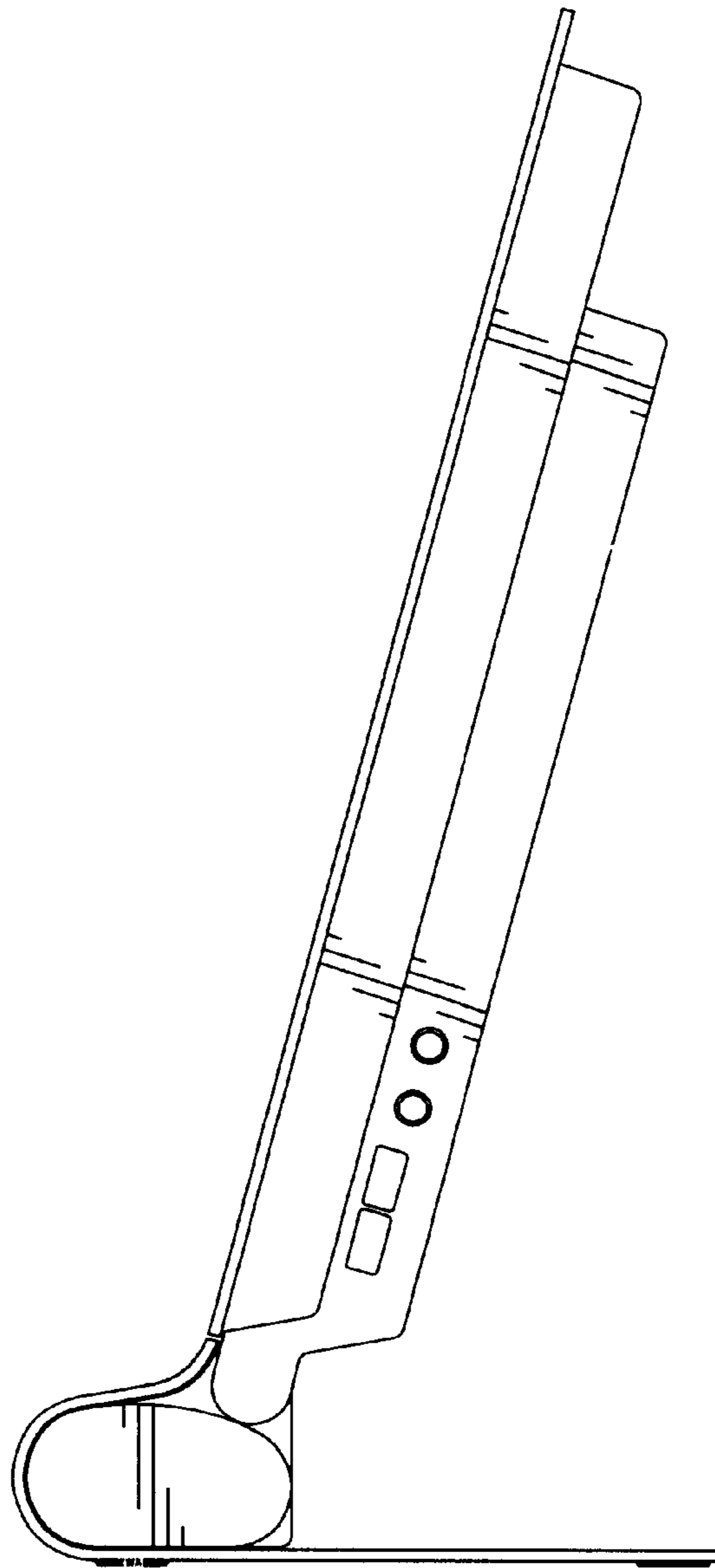


Fig. 5

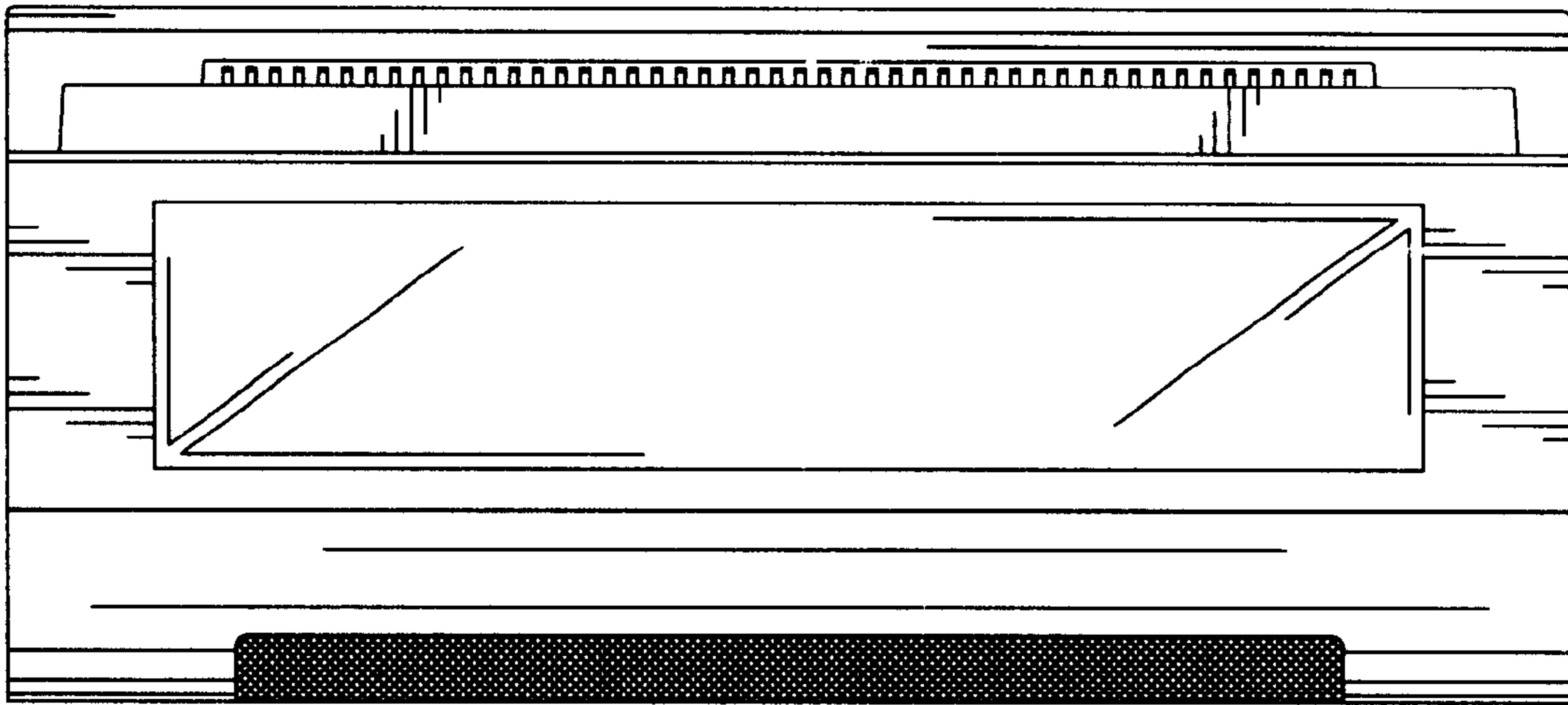


Fig. 6

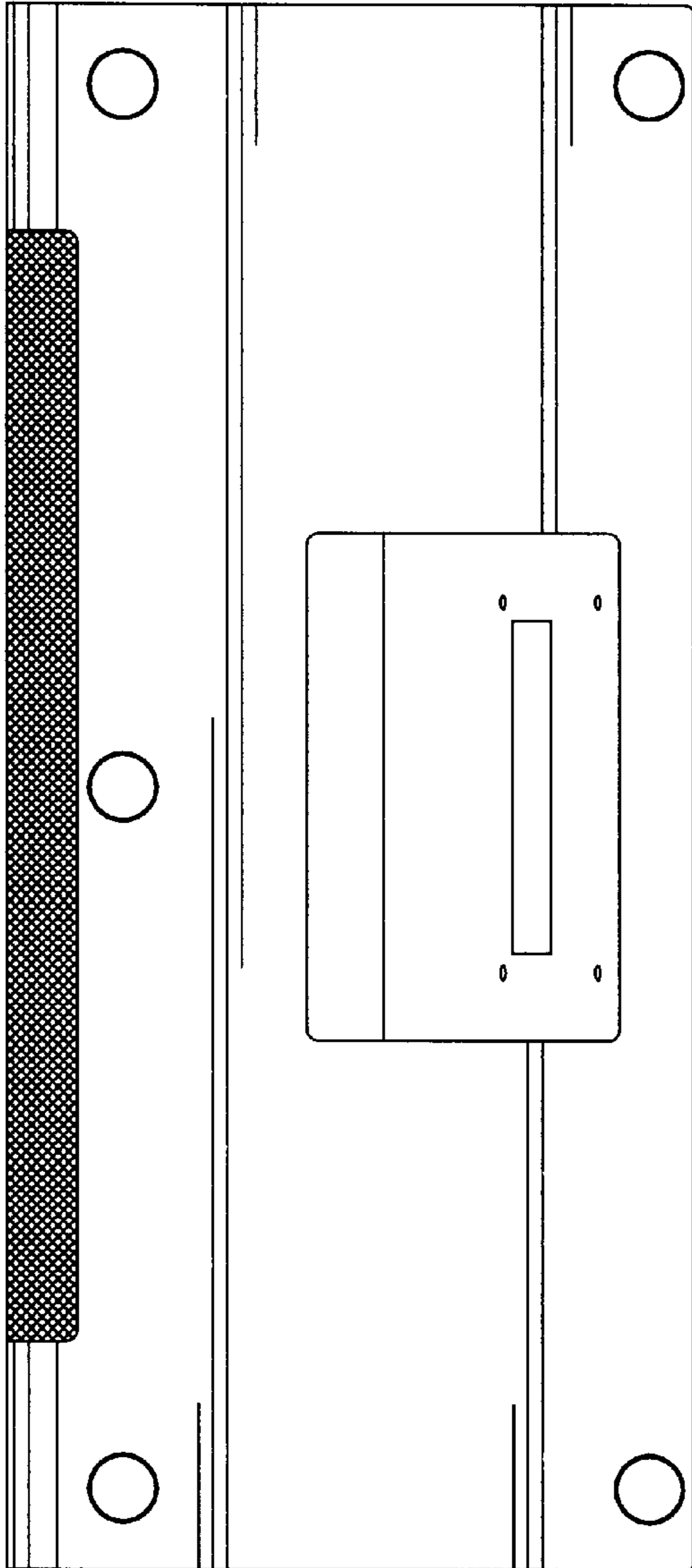


Fig. 7

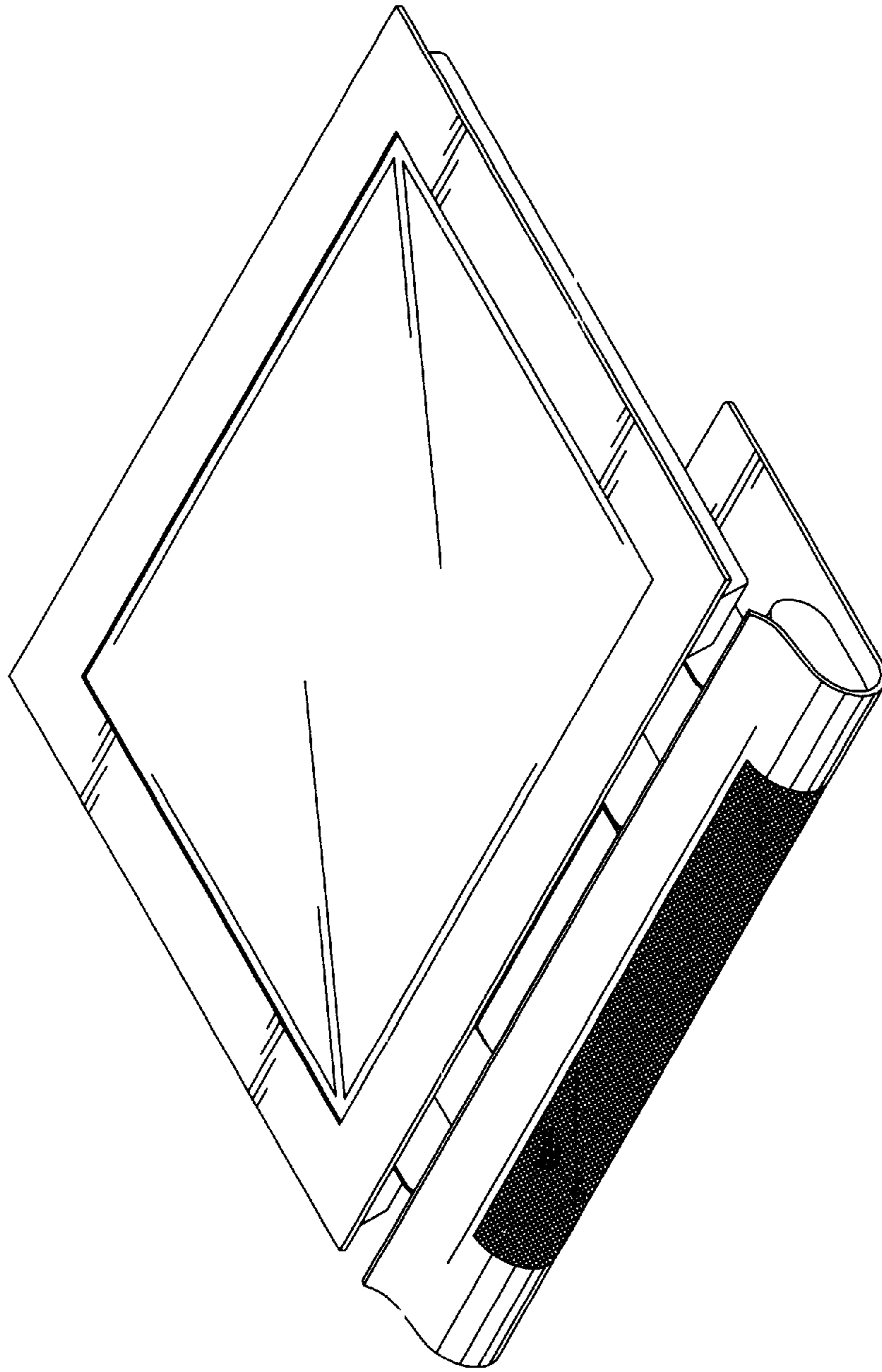


Fig. 8

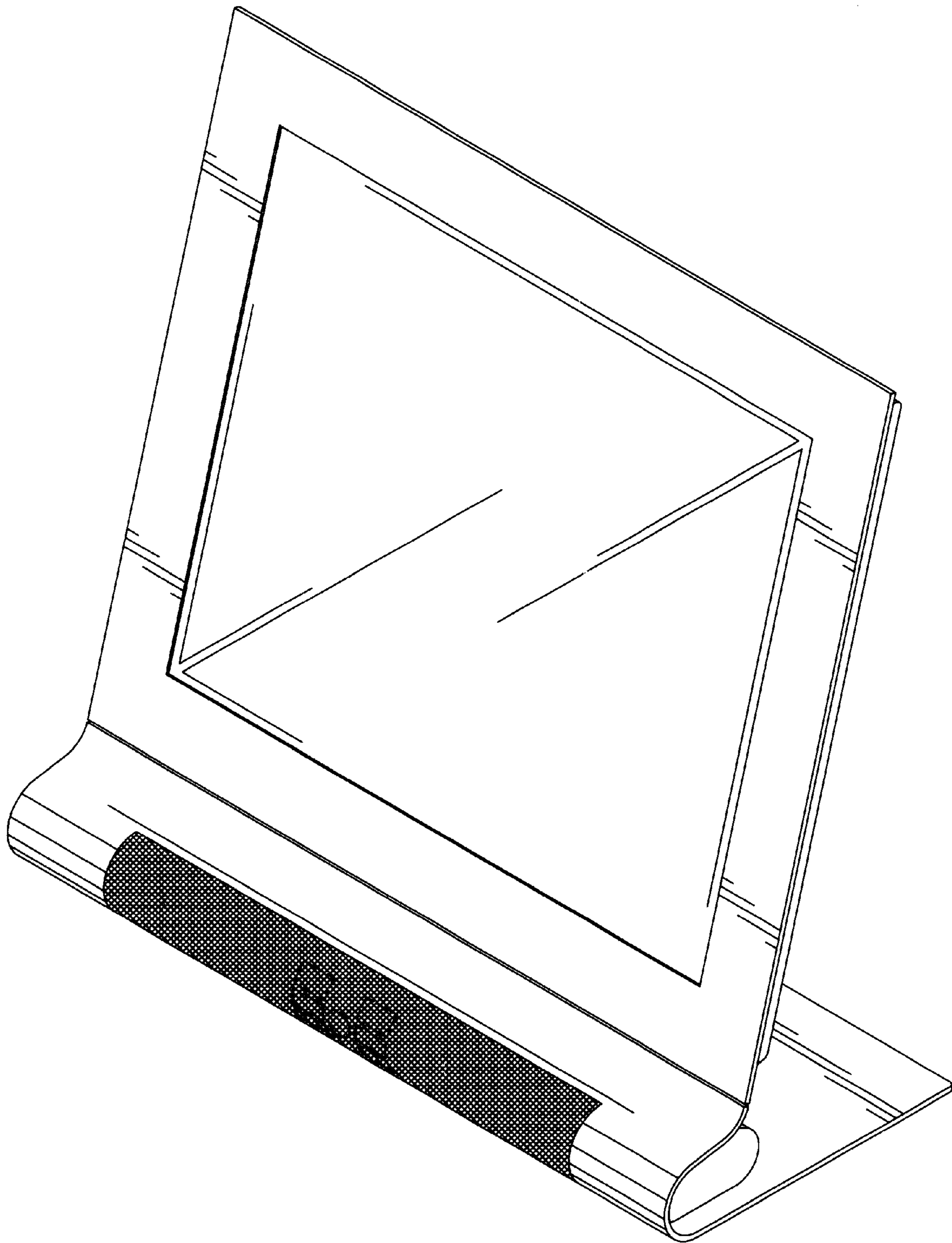


Fig. 9