

US00D524310S

(12) **United States Design Patent** (10) **Patent No.:** **US D524,310 S**
Kent et al. (45) **Date of Patent:** **** Jul. 4, 2006**

(54) **COMPUTER PERIPHERAL DEVICE**

(75) Inventors: **Michael Kent**, Cumberland, RI (US);
William D. Hester, Meriden, CT (US)

(73) Assignee: **Staples the Office Superstore, LLC**,
Framingham, MA (US)

(**) Term: **14 Years**

(21) Appl. No.: **29/228,308**

(22) Filed: **Apr. 21, 2005**

(51) **LOC (8) Cl.** **14-02**

(52) **U.S. Cl.** **D14/356; D13/147**

(58) **Field of Classification Search** D14/356-8,
D14/408, 435-6; D13/147, 164; 439/131,
439/501-2; 710/62, 305

See application file for complete search history.

(56) **References Cited**

U.S. PATENT DOCUMENTS

- D406,575 S * 3/1999 Michael et al. D14/366
- 6,053,773 A 4/2000 Wu
- 6,165,016 A 12/2000 Lai
- D436,596 S * 1/2001 Ito et al. D14/434
- D439,588 S * 3/2001 Bergstrom et al. D16/203
- 6,231,361 B1 5/2001 Ko et al.
- 6,301,103 B1 * 10/2001 Abboud 361/683
- 6,305,986 B1 10/2001 Hwang
- D450,656 S * 11/2001 Stekelenburg D13/139.4
- 6,347,948 B1 2/2002 Hwang
- 6,361,363 B1 3/2002 Hwang
- 6,364,699 B1 4/2002 Hwang et al.
- D458,830 S * 6/2002 Morris et al. D8/358
- 6,456,500 B1 9/2002 Chen
- 6,486,397 B1 11/2002 Lee
- 6,554,648 B1 4/2003 Shi et al.
- 6,560,099 B1 5/2003 Chang
- 6,582,240 B1 6/2003 Suto
- 6,589,076 B1 7/2003 Davis et al.
- 6,676,419 B1 1/2004 Lin et al.
- D486,137 S * 2/2004 Chen D14/168
- 6,685,508 B1 2/2004 Zhu et al.
- D493,169 S * 7/2004 Cheng D14/357
- D493,172 S * 7/2004 Chen D14/402
- D505,414 S * 5/2005 Ko et al. D14/223

- D505,679 S * 5/2005 Klarke et al. D14/409
- 2001/0053630 A1 12/2001 Shi et al.
- 2002/0025697 A1 2/2002 Suto
- 2002/0076962 A1 6/2002 Williams
- 2002/0106933 A1 8/2002 Lee
- 2002/0171999 A1 * 11/2002 Huang 361/600
- 2003/0043111 A1 3/2003 Huang
- 2003/0124909 A1 7/2003 Zhu et al.
- 2003/0211784 A1 11/2003 Wu et al.
- 2003/0223286 A1 12/2003 Lee
- 2003/0225954 A1 * 12/2003 Wu 710/305
- 2004/0212966 A1 10/2004 Fisher et al.
- 2005/0018447 A1 1/2005 Ma et al.
- 2005/0070138 A1 3/2005 Chiou et al.
- 2005/0079738 A1 4/2005 Ahn

FOREIGN PATENT DOCUMENTS

- EP 1383037 A2 1/2004
- JP 2003 140771 A 5/2003
- JP 2004 221048 A 8/2004
- JP 2004 280639 A 10/2004

* cited by examiner

Primary Examiner—Robin Webster

Assistant Examiner—Karen E. Patterson

(74) *Attorney, Agent, or Firm*—Wolf, Greenfield & Sacks, P.C.

(57) **CLAIM**

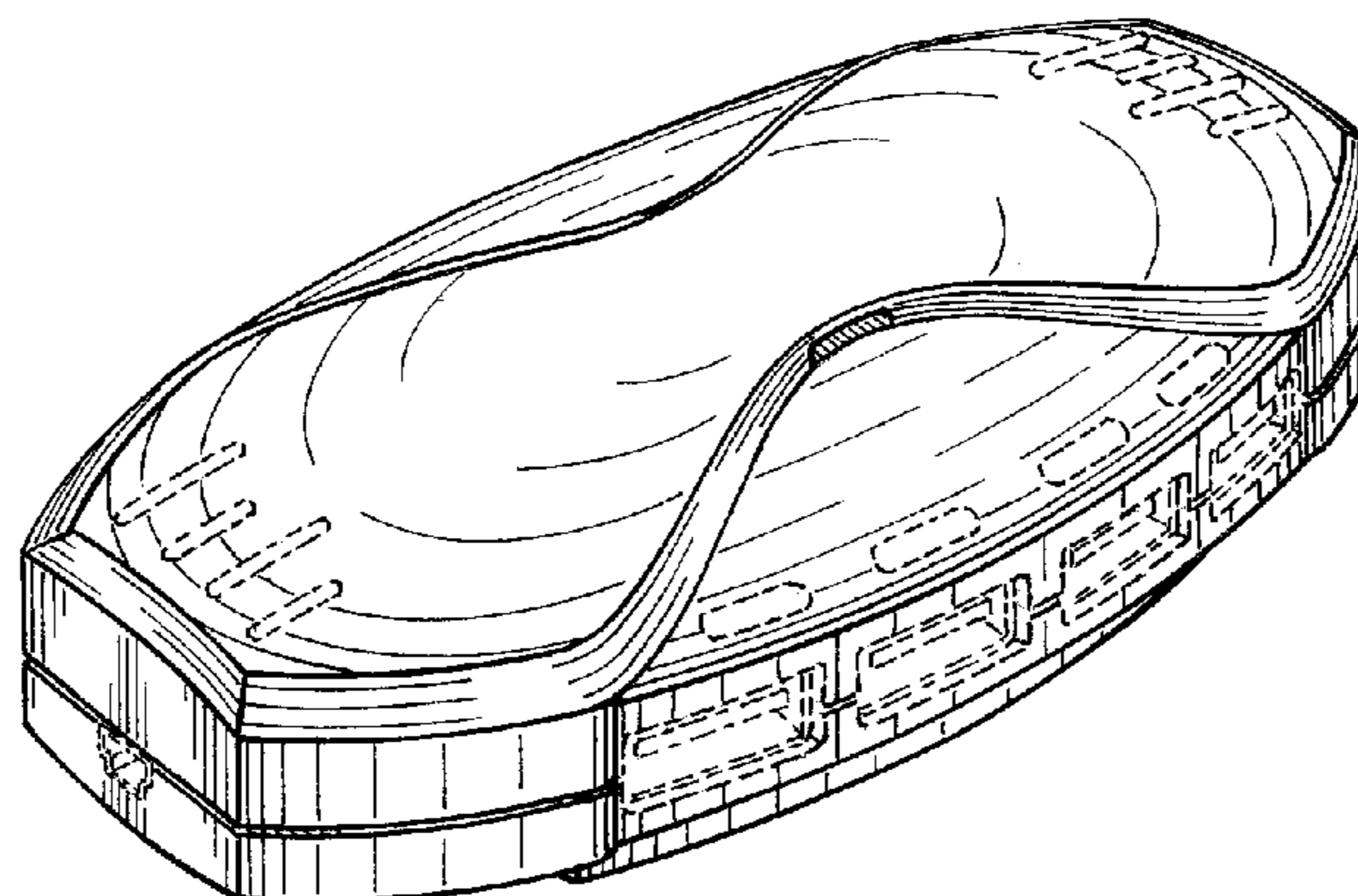
The ornamental design for a computer peripheral device, as shown and described.

DESCRIPTION

FIG. 1 is a side, top, perspective view of the computer peripheral device with surface ridges and connector ports thereof shown in phantom; FIG. 2 is a top view thereof; FIG. 3 is a front view thereof; FIG. 4 is a rear view thereof; FIG. 5 is a left side view thereof; FIG. 6 is a right side view thereof; and, FIG. 7 is a bottom view thereof.

The broken lines showing of surface ridges and connector ports are for illustrative purposes only and forms no part of the claimed design.

1 Claim, 2 Drawing Sheets



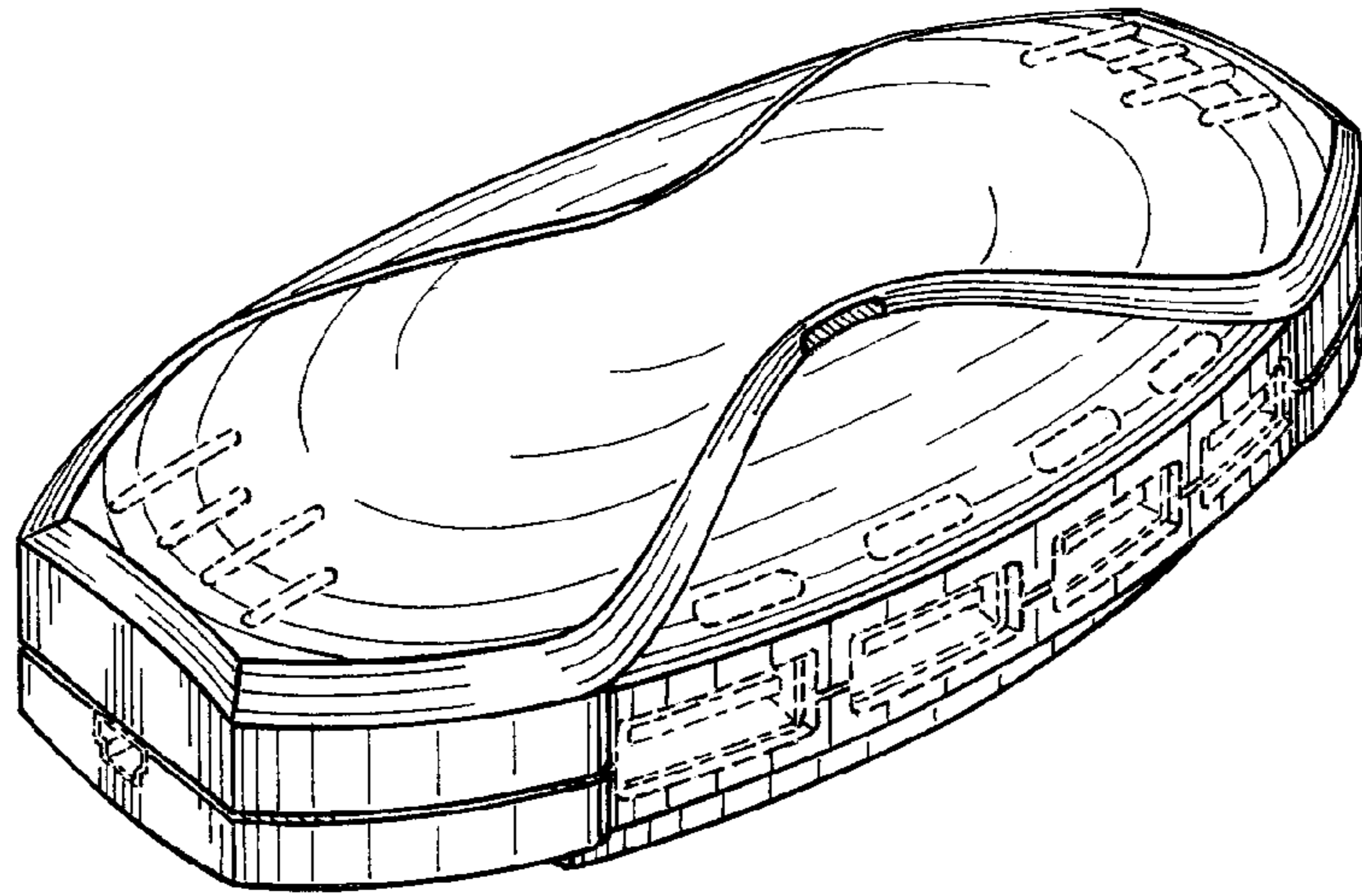


Fig. 1

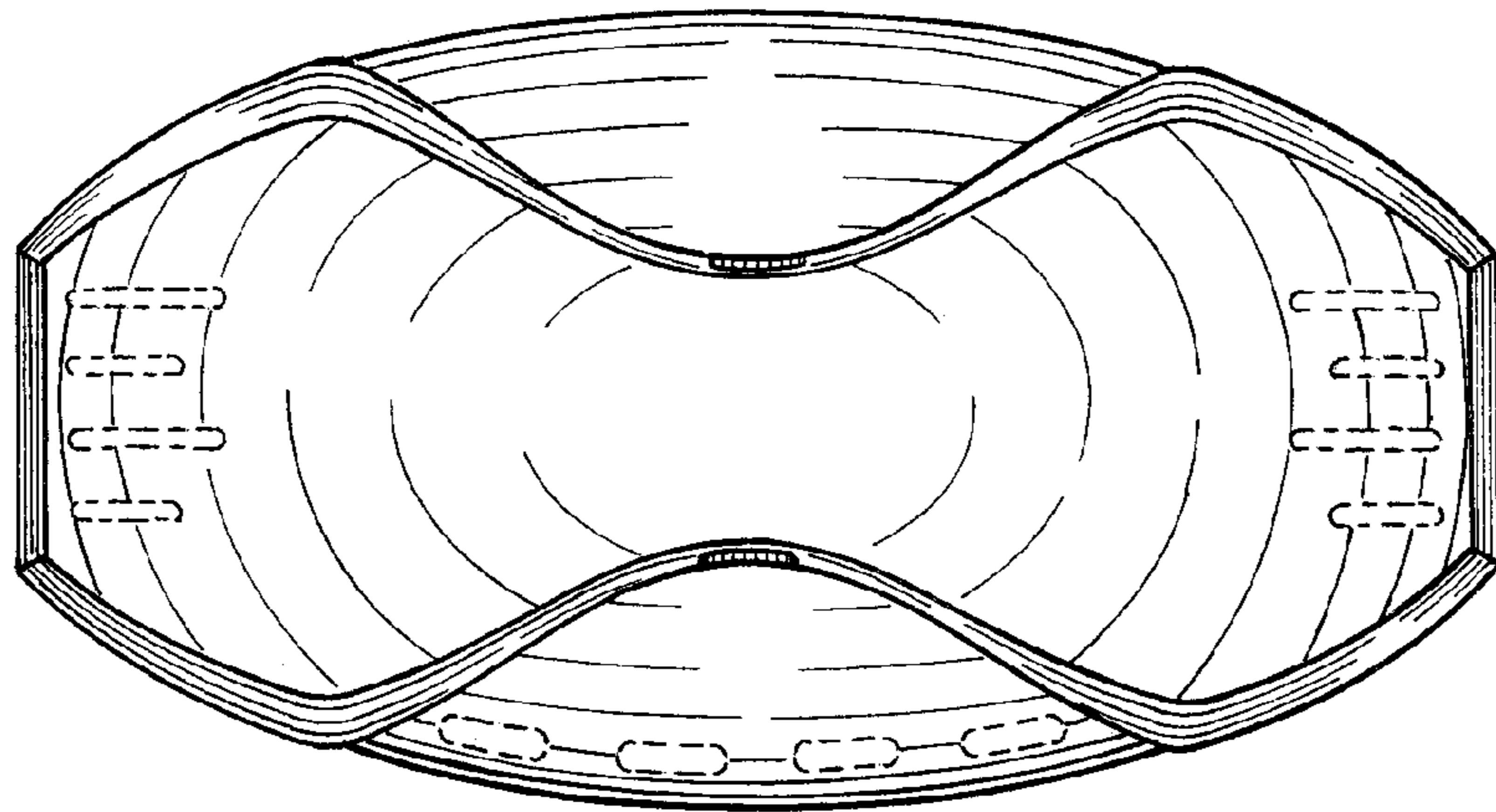


Fig. 2

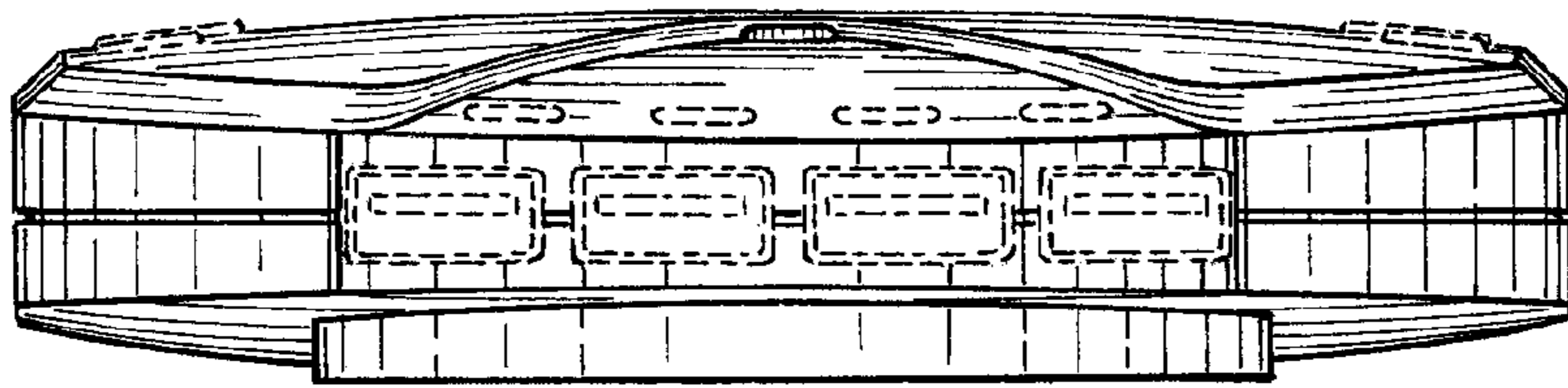


Fig. 3

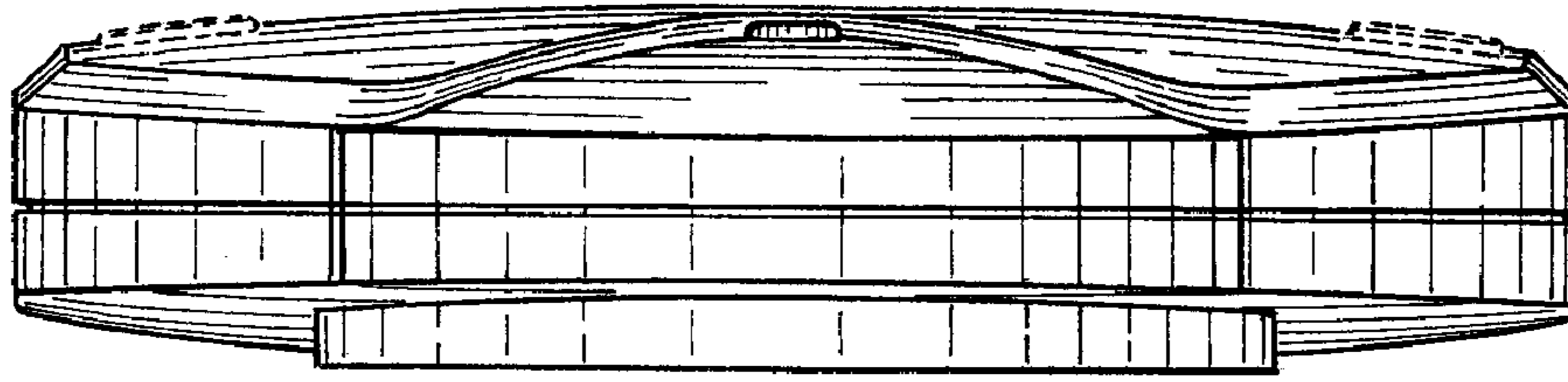


Fig. 4

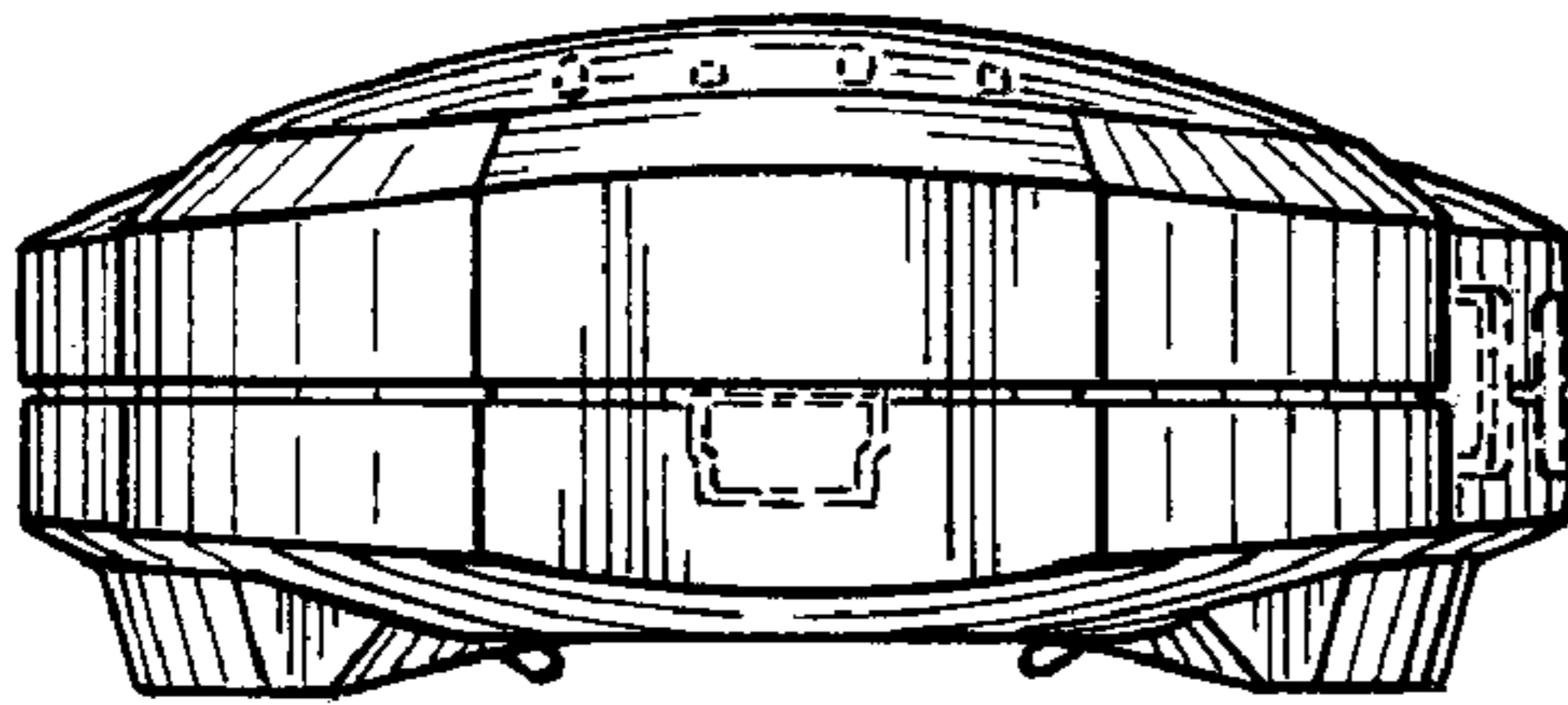


Fig. 5

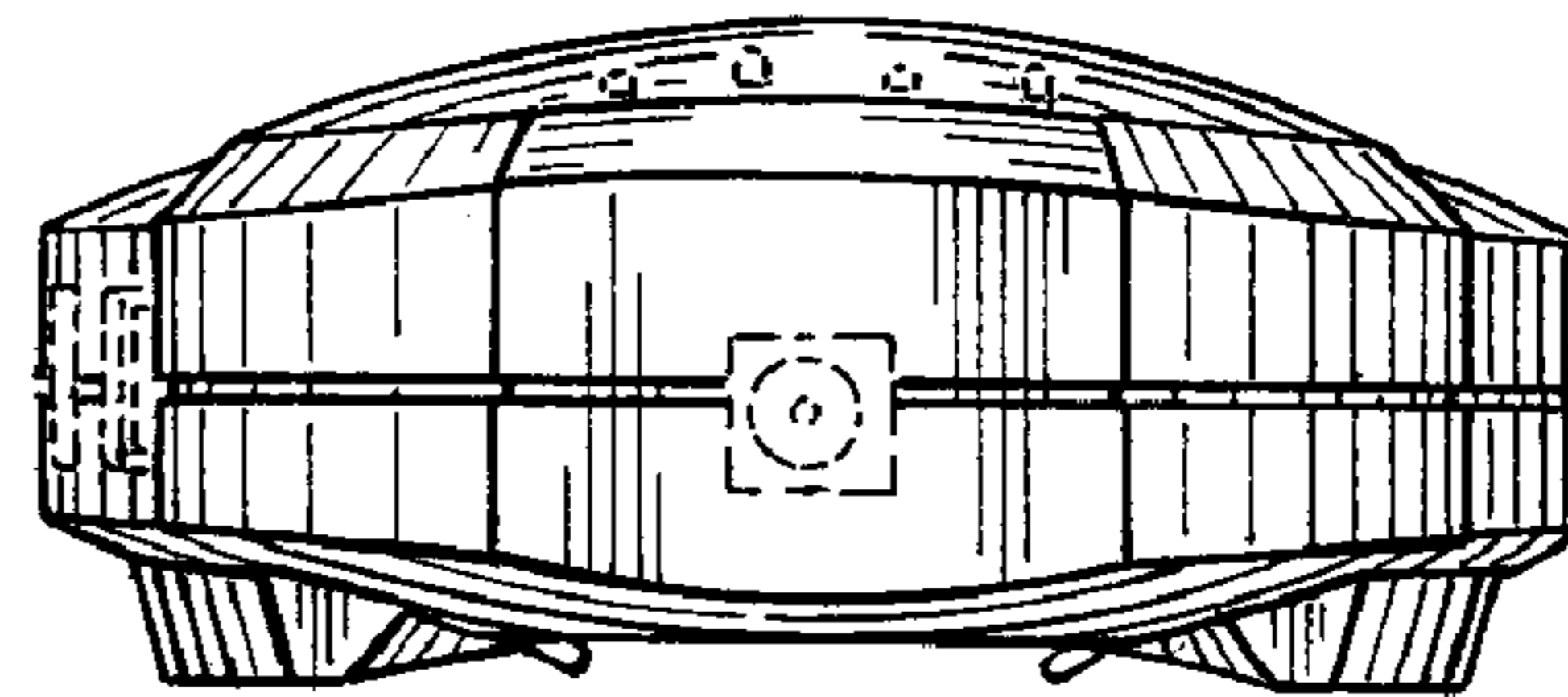


Fig. 6

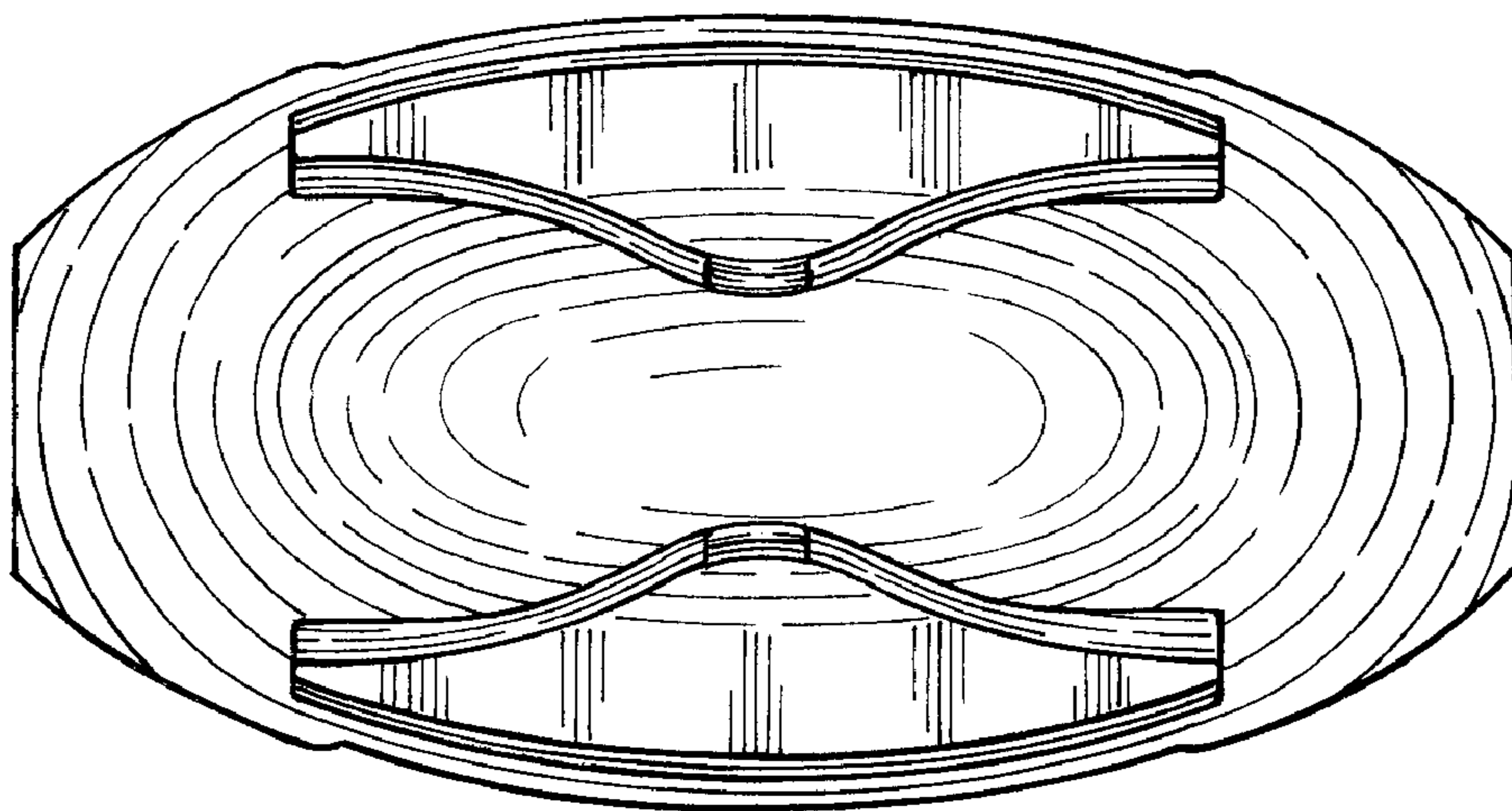


Fig. 7