

US00D524308S

(12) **United States Design Patent**  
**Lai**

(10) **Patent No.:** **US D524,308 S**

(45) **Date of Patent:** **\*\* Jul. 4, 2006**

(54) **DIGITAL NOTEPAD**

(75) Inventor: **Yi-Jun Lai**, Taipei (TW)

(73) Assignee: **KYE Systems Corp.** (TW)

(\*\*) Term: **14 Years**

(21) Appl. No.: **29/230,682**

(22) Filed: **May 25, 2005**

(51) **LOC (8) Cl.** ..... **14-02**

(52) **U.S. Cl.** ..... **D14/346; D14/341**

(58) **Field of Classification Search** ..... D14/331,  
D14/336, 341-346, 371-374; D18/1, 2, 7,  
D18/11; D19/59, 60; 341/22, 23; 345/156,  
345/168, 169, 172, 901-905; 349/12; 361/680-686;  
178/18.03; 434/307 R, 308, 309, 317  
See application file for complete search history.

(56) **References Cited**

**U.S. PATENT DOCUMENTS**

- D387,737 S \* 12/1997 Mizusugi et al. .... D14/346
- D395,039 S \* 6/1998 Murphy et al. .... D14/342
- D406,114 S \* 2/1999 Ham et al. .... D14/341

- D408,794 S \* 4/1999 Ogasawara ..... D14/341
- D433,018 S \* 10/2000 Tanimura et al. .... D14/346
- D458,252 S \* 6/2002 Palm et al. .... D14/343
- D458,602 S \* 6/2002 Hasegawa et al. .... D14/374
- 6,757,156 B1 \* 6/2004 Adams et al. .... 361/681
- D496,034 S \* 9/2004 Guerrero et al. .... D14/336

\* cited by examiner

*Primary Examiner*—Freda S. Nunn

(74) *Attorney, Agent, or Firm*—Raymond Sun

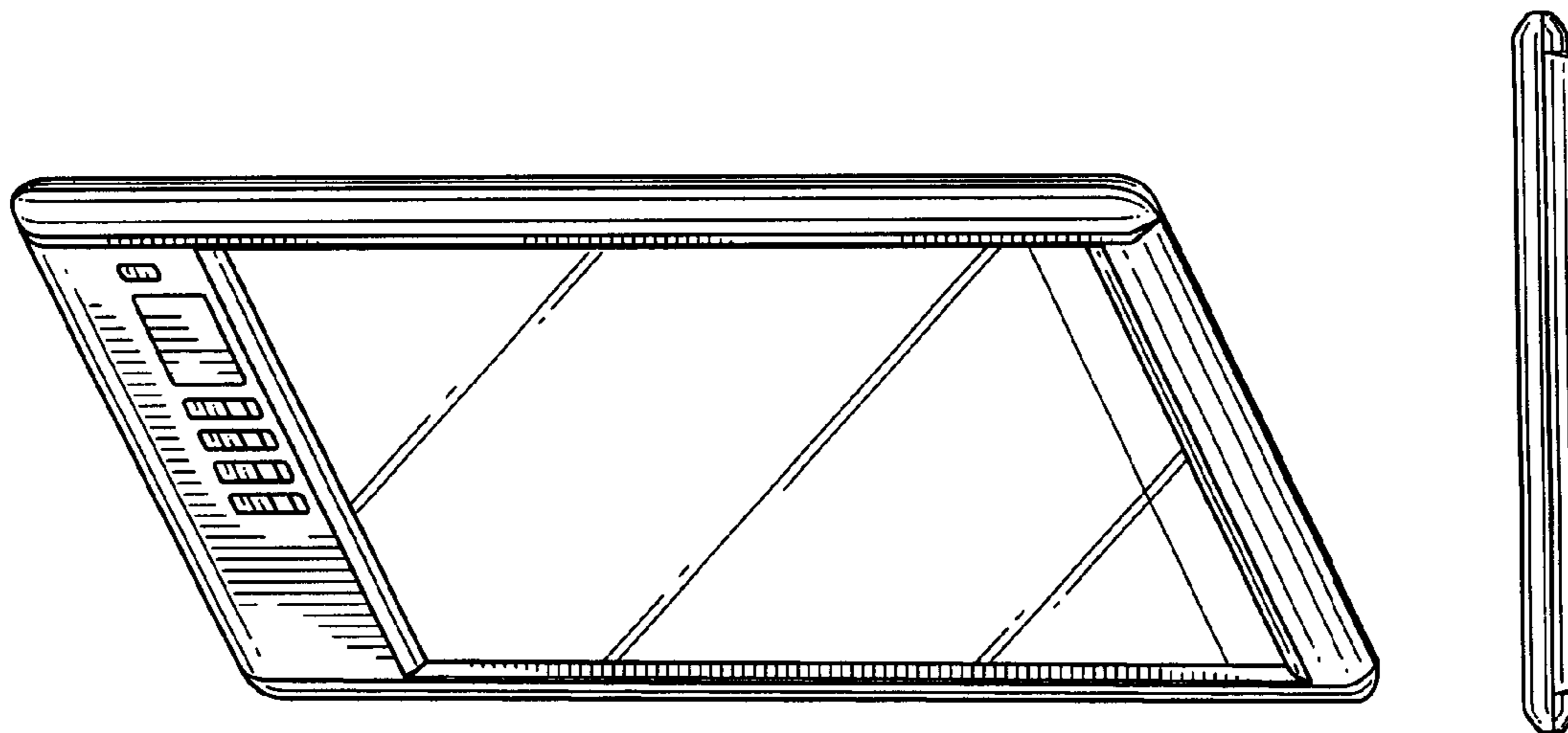
(57) **CLAIM**

The ornamental design for a digital notepad, as shown and described.

**DESCRIPTION**

FIG. 1 is a perspective view of a digital notepad.  
 FIG. 2 is a front view of the digital notepad of FIG. 1.  
 FIG. 3 is a rear view of the digital notepad of FIG. 1.  
 FIG. 4 is a left side view of the digital notepad of FIG. 1.  
 FIG. 5 is a right side view of the digital notepad of FIG. 1.  
 FIG. 6 is a bottom plan view of the digital notepad of FIG. 1;  
 and,  
 FIG. 7 is a top plan view of the digital notepad of FIG. 1.

**1 Claim, 3 Drawing Sheets**



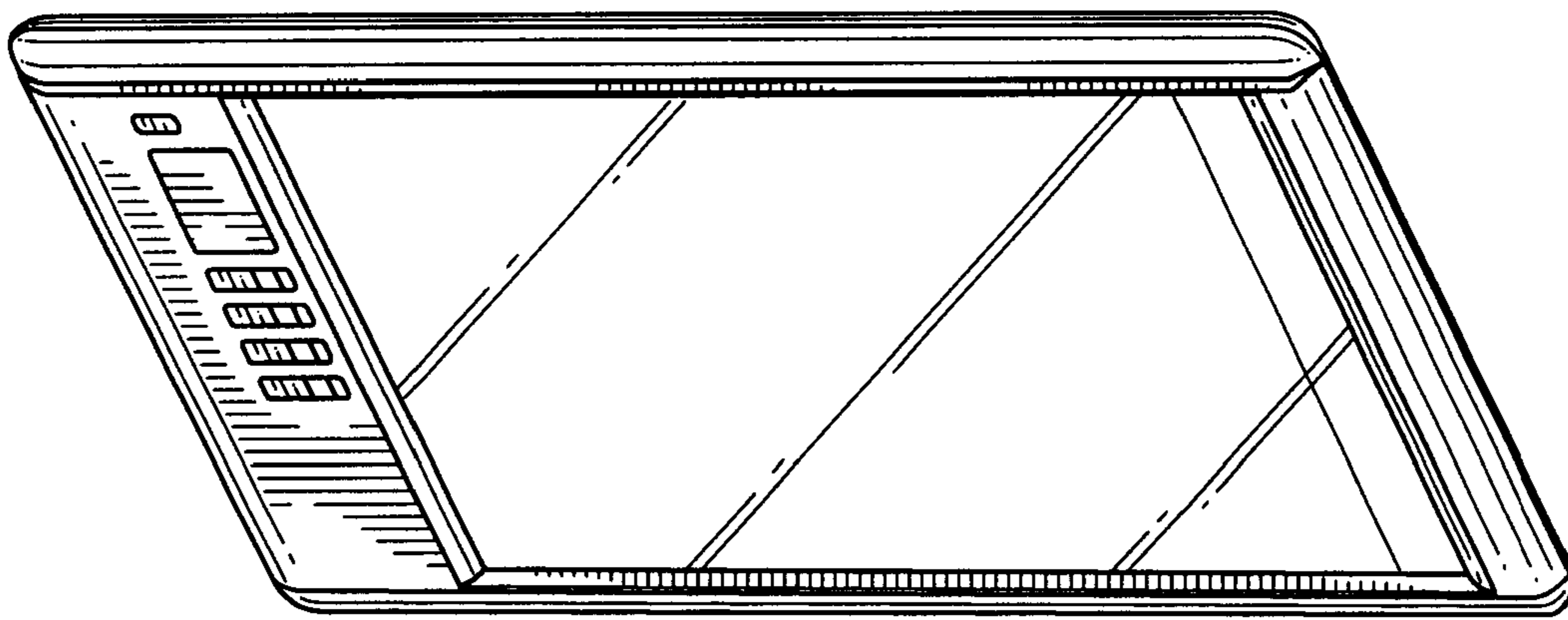


FIG. 1

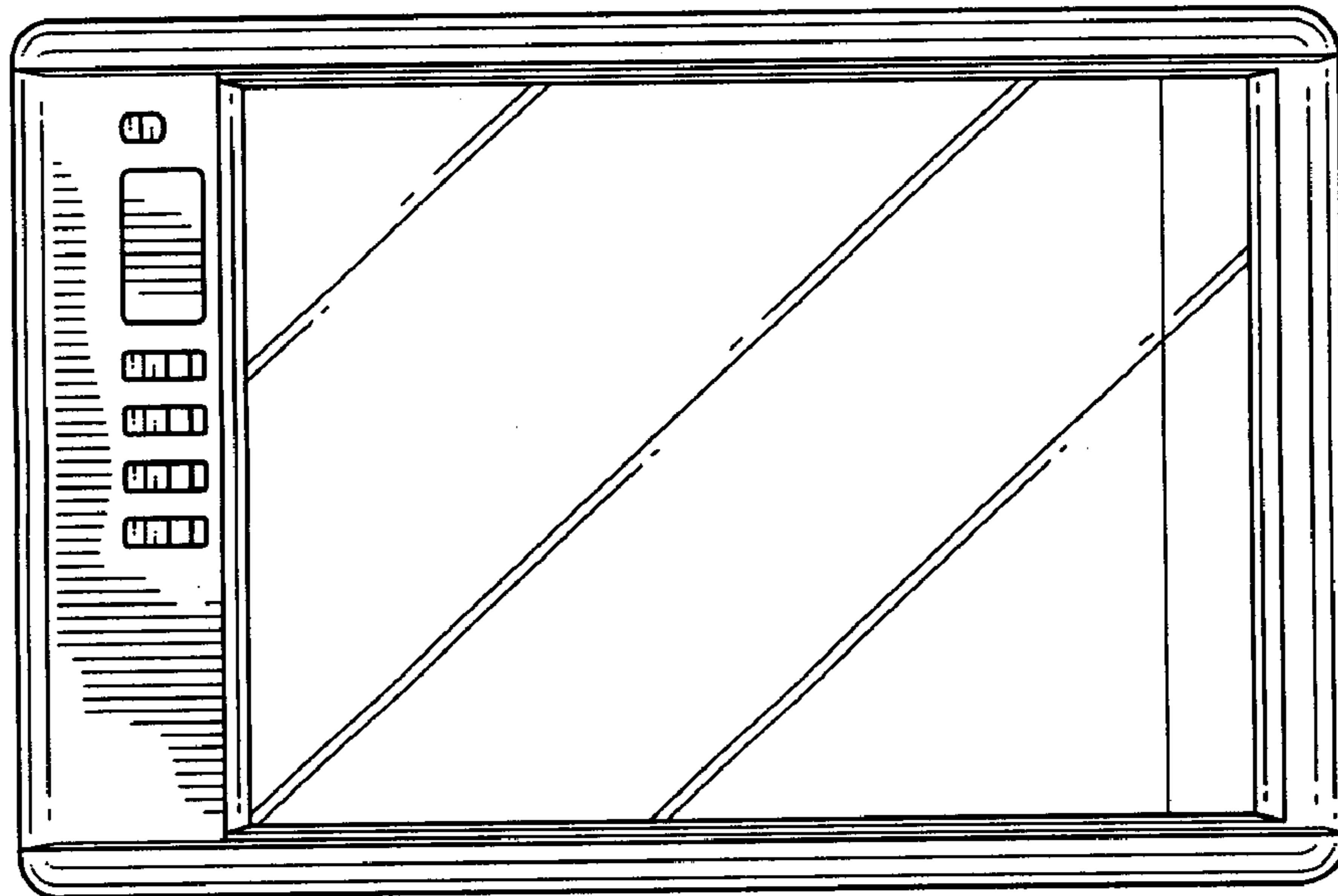


FIG. 2

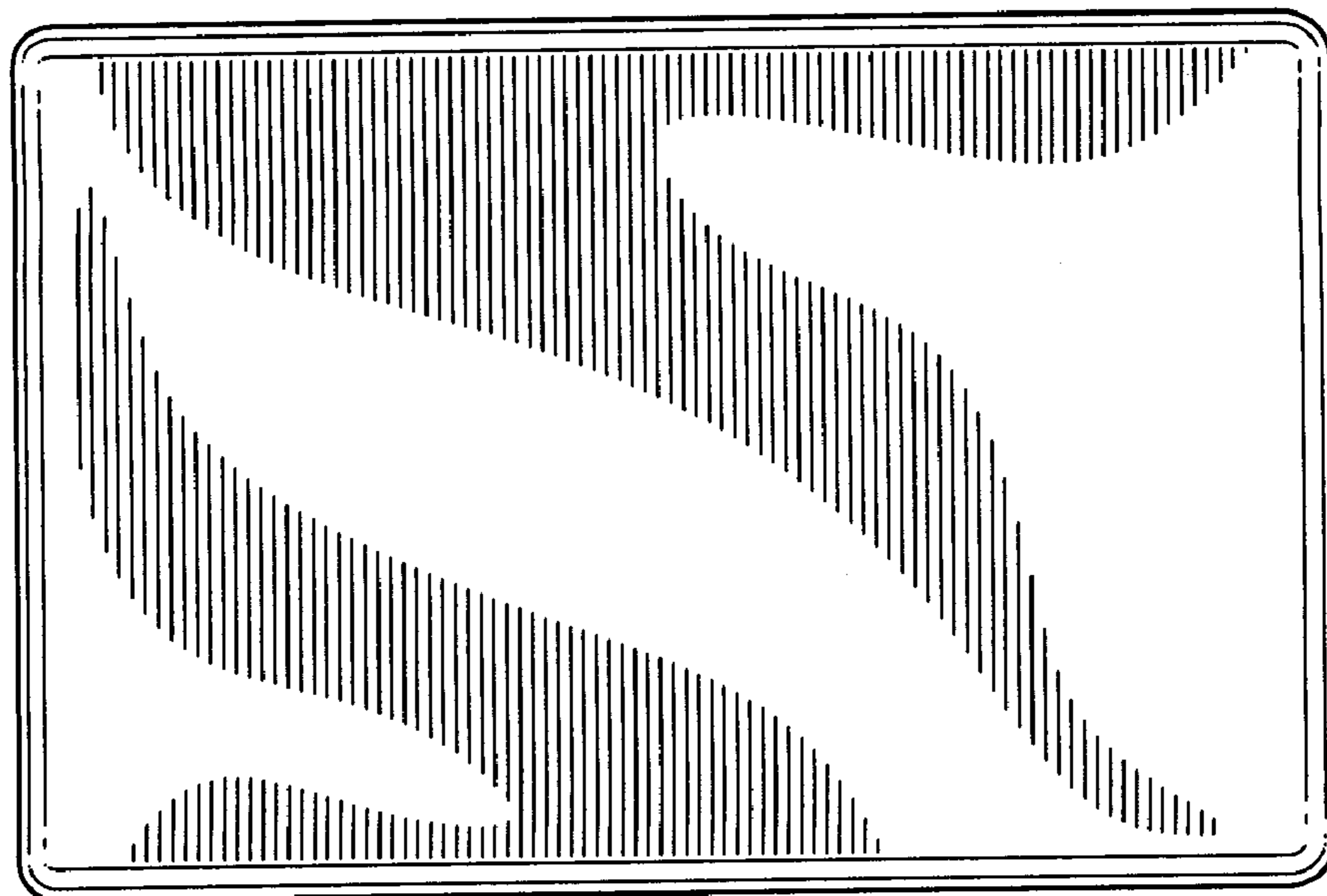


FIG. 3



FIG. 4



FIG. 5

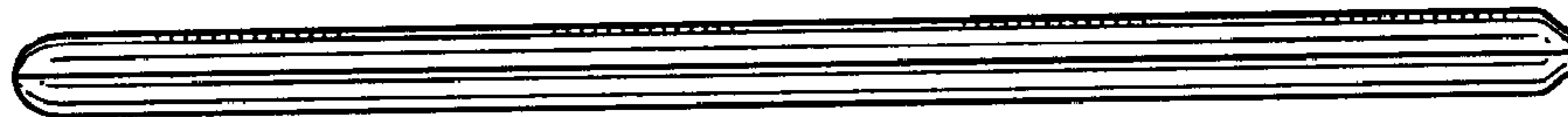


FIG. 6

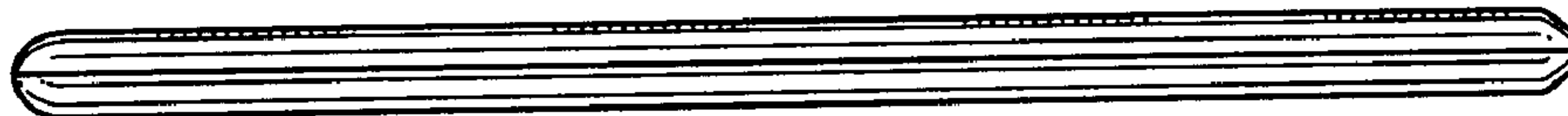


FIG. 7