



US00D524305S

(12) **United States Design Patent**  
**Shinohara**

(10) **Patent No.:** **US D524,305 S**  
(45) **Date of Patent:** **\*\* Jul. 4, 2006**

(54) **PICKUP FOR DISC PLAYER**

(75) Inventor: **Yoshikazu Shinohara**, Tokyo (JP)

(73) Assignee: **Sony Corporation**, Tokyo (JP)

(\*\*) Term: **14 Years**

(21) Appl. No.: **29/198,929**

(22) Filed: **Feb. 9, 2004**

(51) **LOC (8) Cl.** ..... **14-03**

(52) **U.S. Cl.** ..... **D14/260.1**

(58) **Field of Classification Search** ..... D14/366,  
D14/299, 260, 239, 217, 156; 74/89.17; 720/700,  
720/697, 684, 671, 665, 664, 609, 608, 607;  
369/71, 264, 44.14, 219.1

See application file for complete search history.

(56) **References Cited**

**U.S. PATENT DOCUMENTS**

5,177,731	A *	1/1993	Tanaka et al.	720/700
5,633,850	A *	5/1997	Park	720/608
5,696,753	A *	12/1997	Okushita	720/665
5,886,977	A *	3/1999	Ota et al.	720/665
5,995,467	A *	11/1999	Ohyama et al.	369/71
D433,676	S	11/2000	Yamada et al.	
D436,947	S	1/2001	Yamada et al.	
6,219,327	B1 *	4/2001	Kim et al.	720/671
6,266,311	B1 *	7/2001	Song et al.	720/609
6,430,143	B1 *	8/2002	Kajiyama et al.	720/671
6,445,674	B1 *	9/2002	Morita	720/671
6,449,224	B1 *	9/2002	Lee et al.	369/44.14
6,452,887	B1 *	9/2002	Nakayama et al.	720/664
6,496,472	B1 *	12/2002	Liao et al.	369/264

D475,365	S	6/2003	Yamamoto	
6,744,723	B1 *	6/2004	Kirinoe	720/684
6,751,182	B1 *	6/2004	Shiomi et al.	369/219.1
D500,760	S *	1/2005	Kirii et al.	D14/260
2002/0154593	A1 *	10/2002	Weisser et al.	369/263
2002/0154594	A1 *	10/2002	Lee	369/264

**OTHER PUBLICATIONS**

Catalog "KSM-2101BDM/ADM", 1 sheet, Sony (Dec. 2003).

Catalog "KSM-213BCM", 1 sheet, Sony (Dec. 2003).

\* cited by examiner

*Primary Examiner*—Cathron C. Brooks

*Assistant Examiner*—Austin Murphy

(74) *Attorney, Agent, or Firm*—Rader, Fishman & Grauer PLLC

(57) **CLAIM**

The ornamental design for a pickup for disc player, as shown and described.

**DESCRIPTION**

FIG. 1 is a perspective view of a pickup for disc player showing my new design;

FIG. 2 is a front elevational view thereof;

FIG. 3 is a rear elevational view thereof;

FIG. 4 is a left side elevational view thereof;

FIG. 5 is a right side elevational view thereof;

FIG. 6 is a top plan view thereof; and,

FIG. 7 is a bottom plan view thereof.

The broken lines depicted in FIGS. 3, 6 and 7 form no part of the claimed design.

**1 Claim, 4 Drawing Sheets**

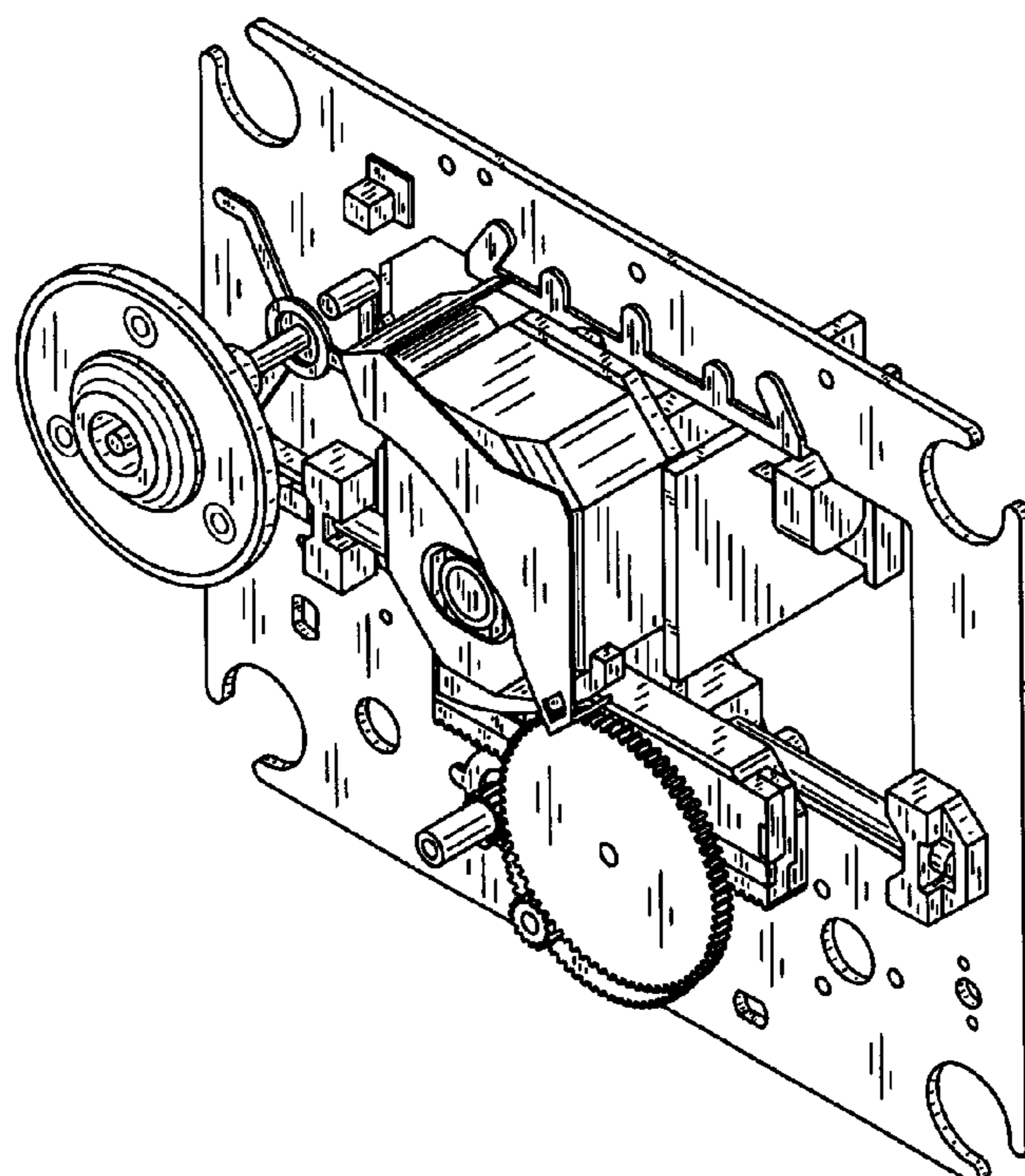


FIG. 1

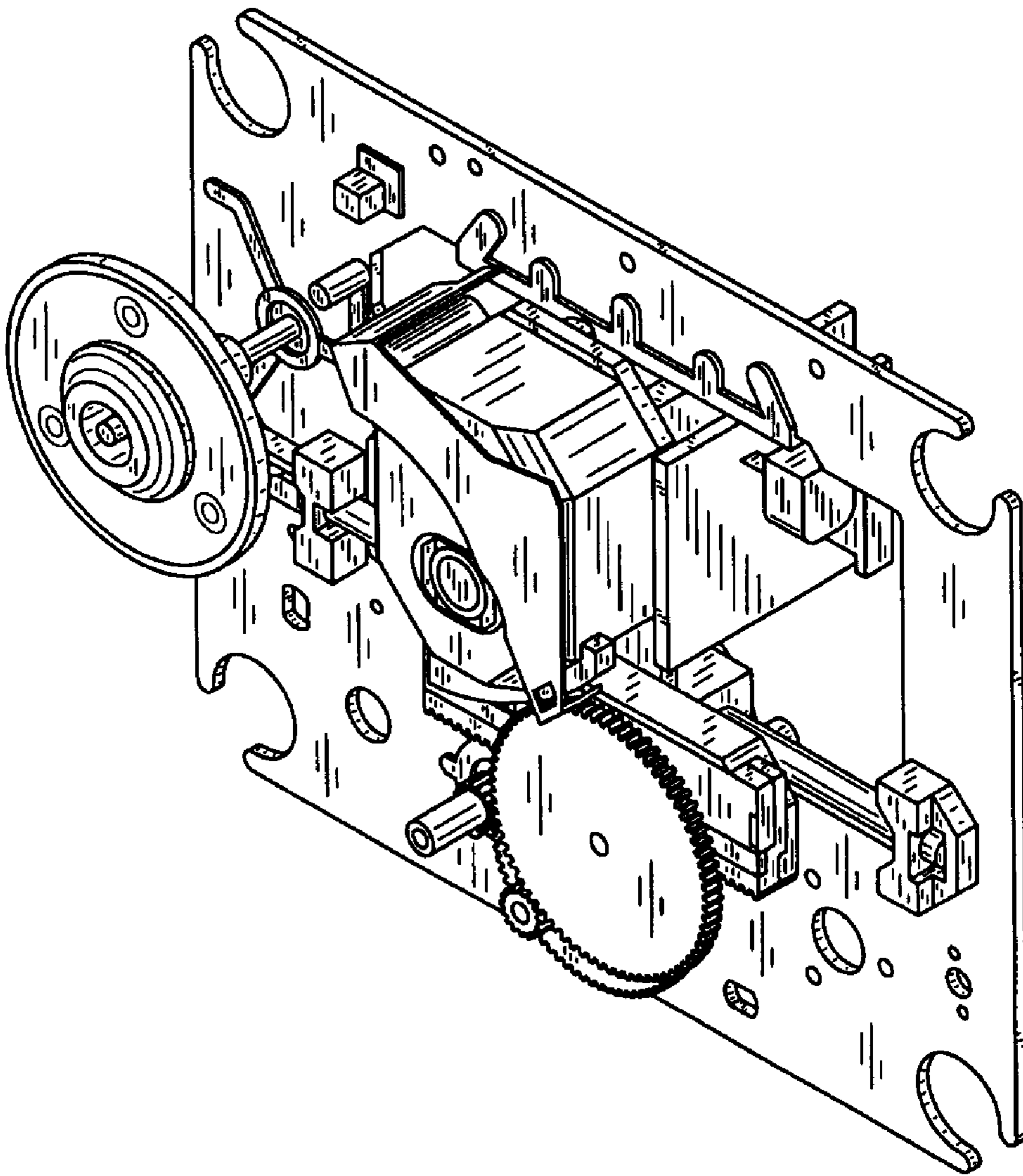


FIG.2

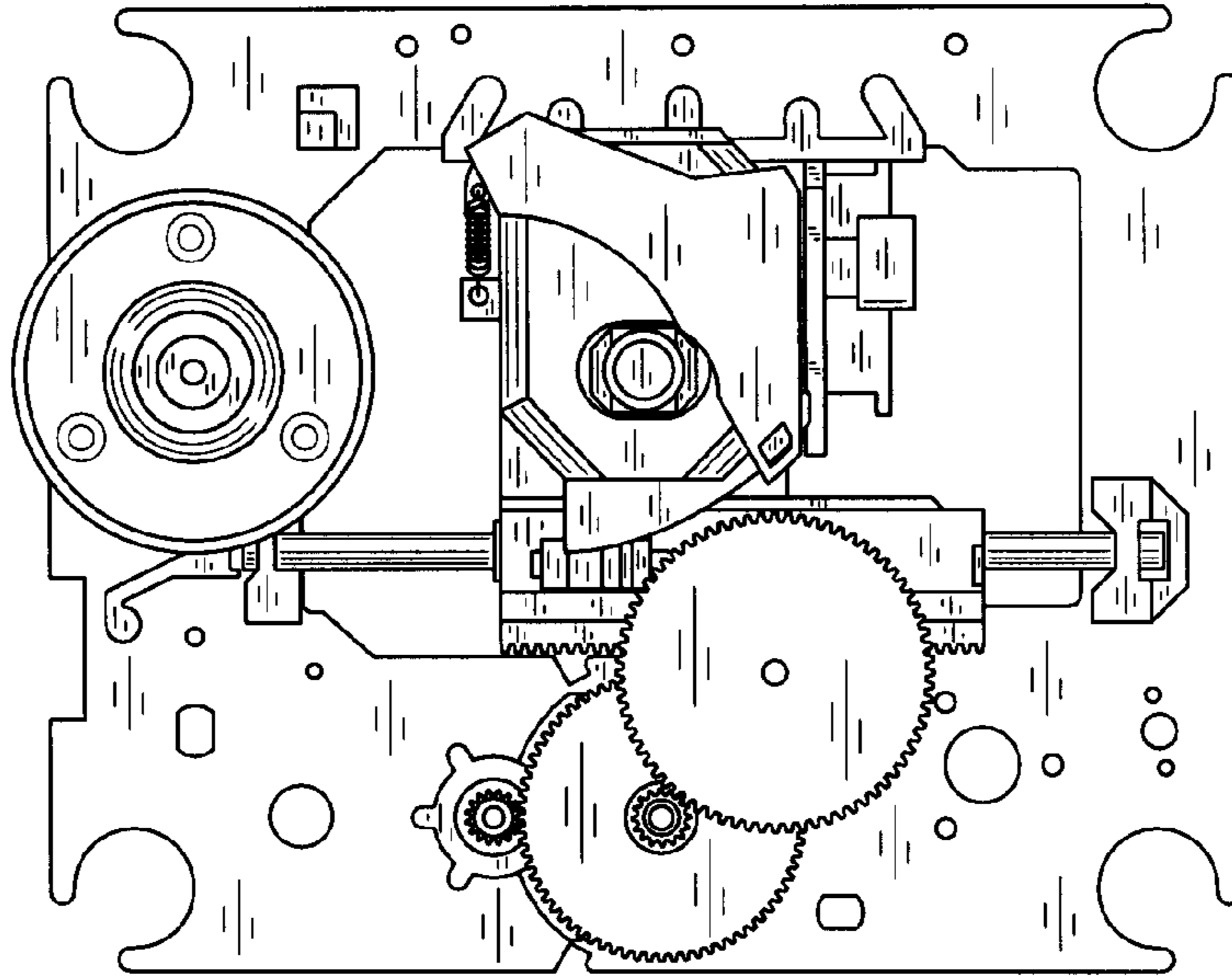


FIG.3

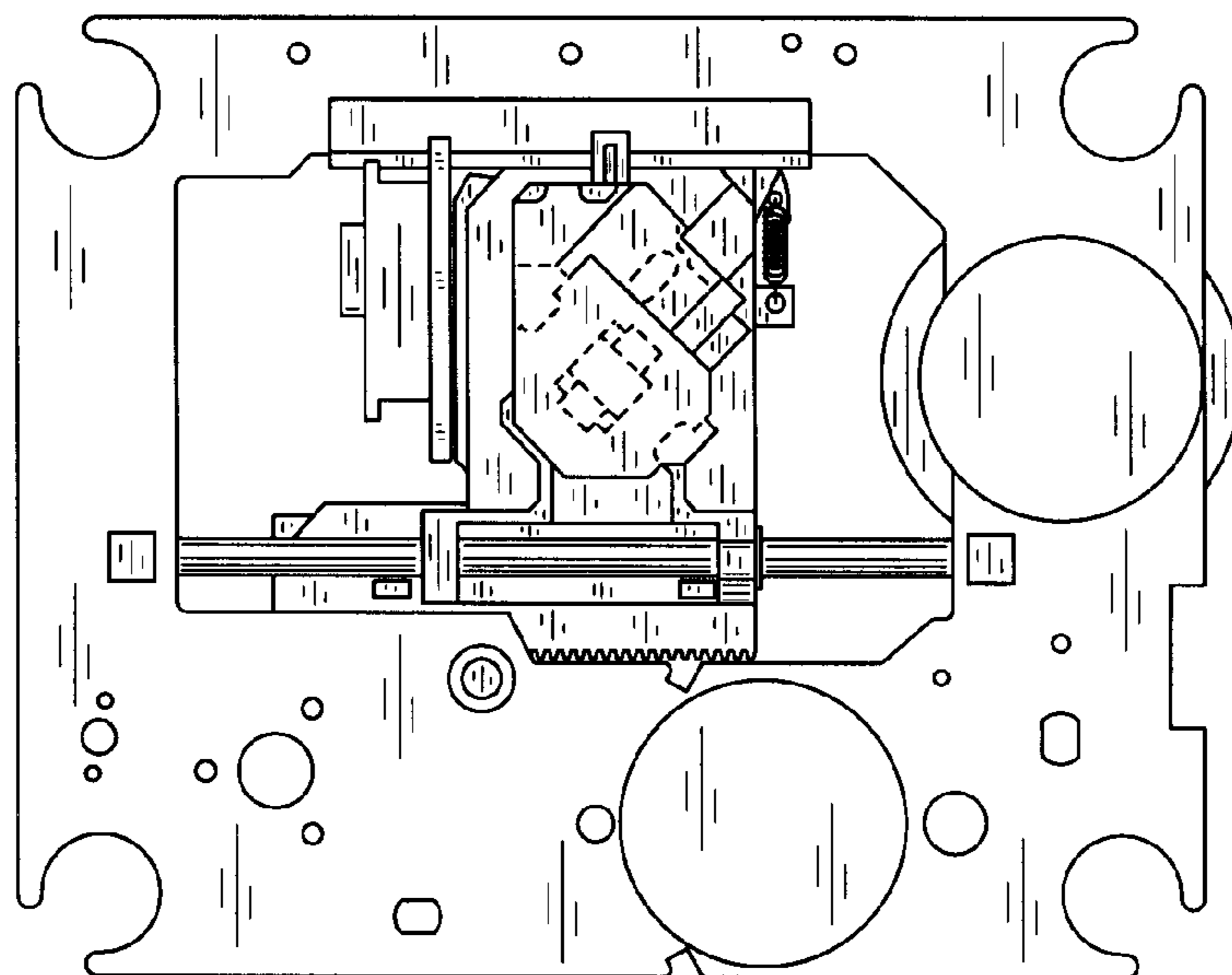


FIG.4

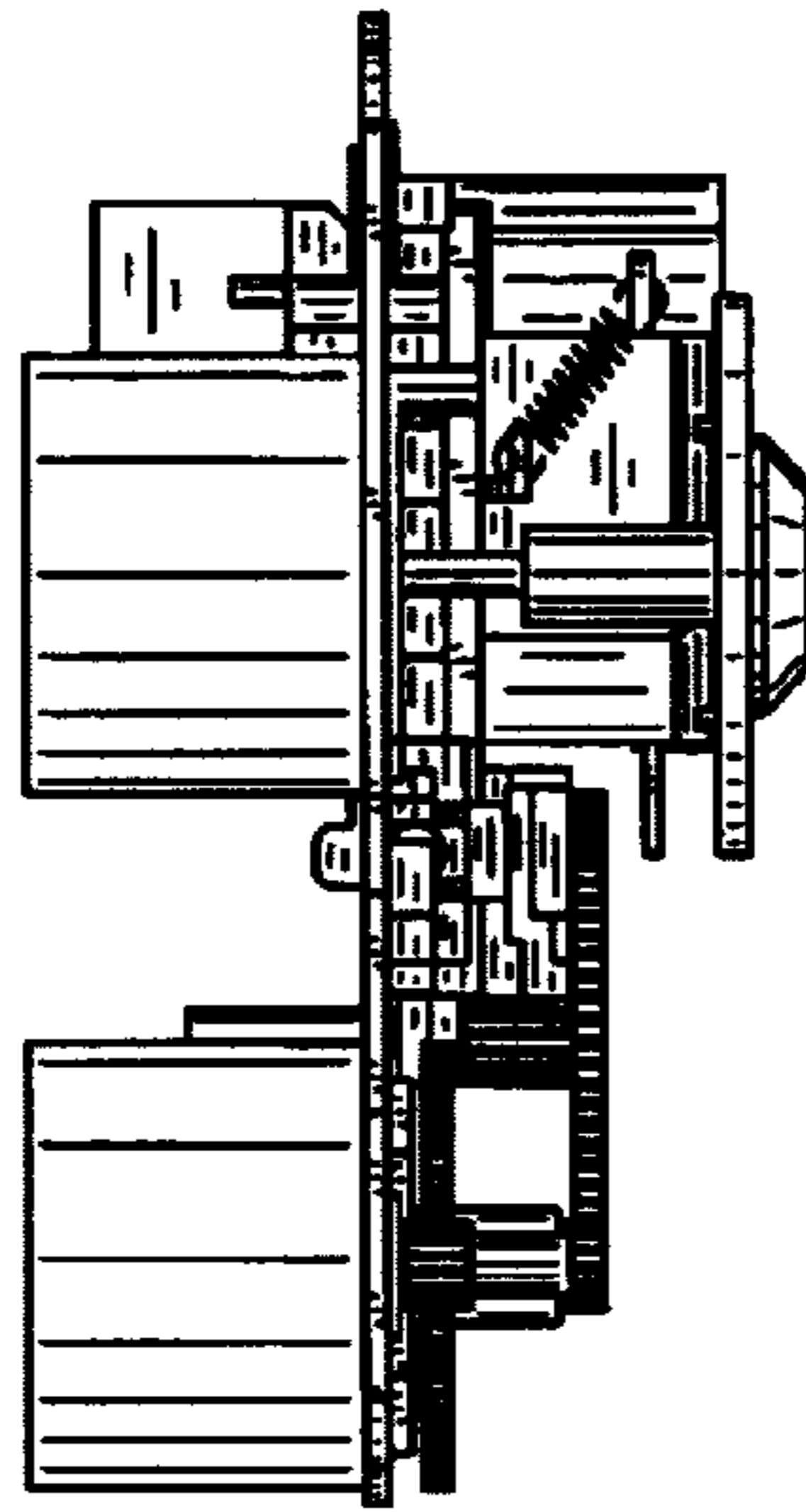


FIG.5

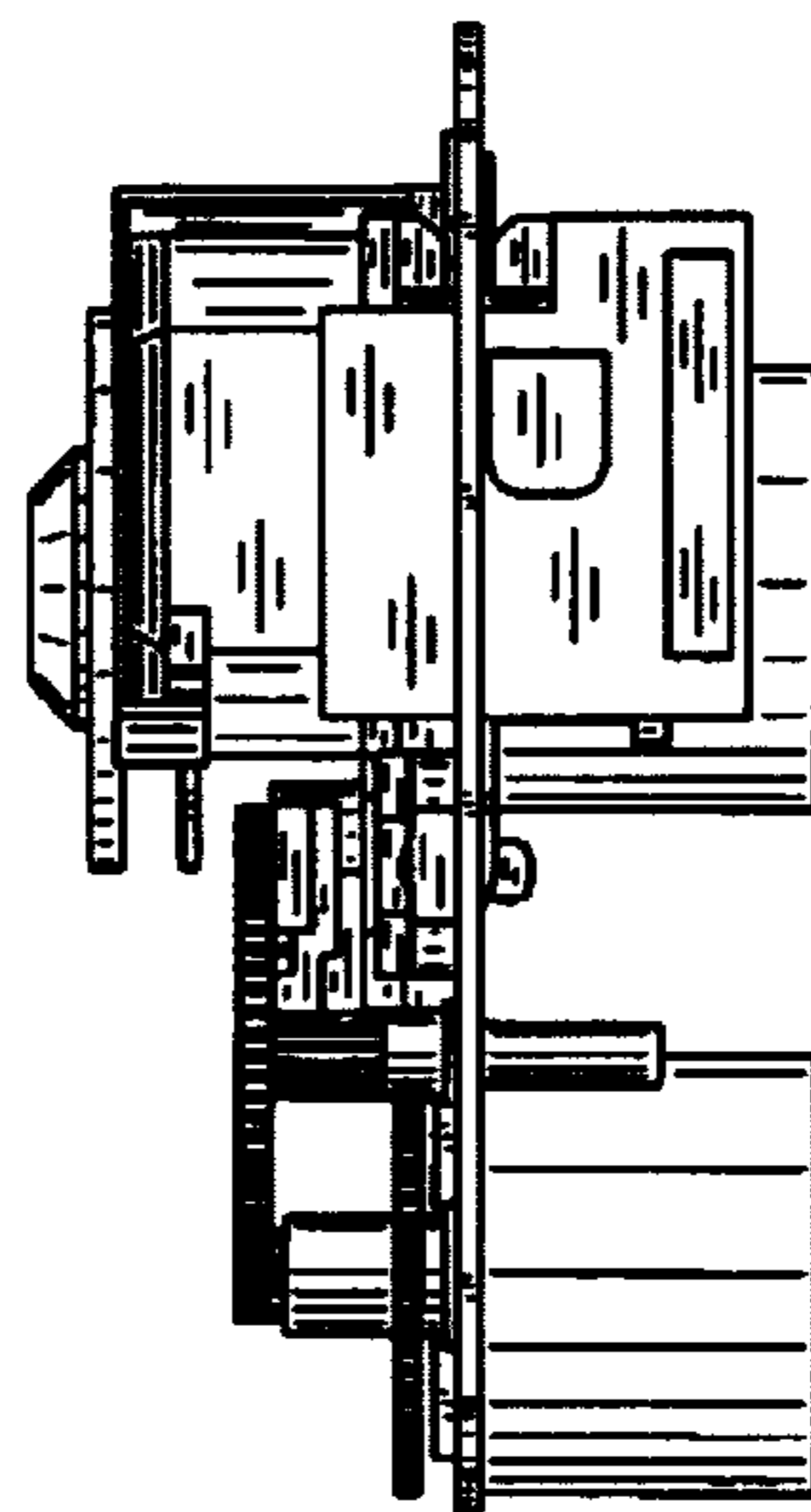


FIG.6

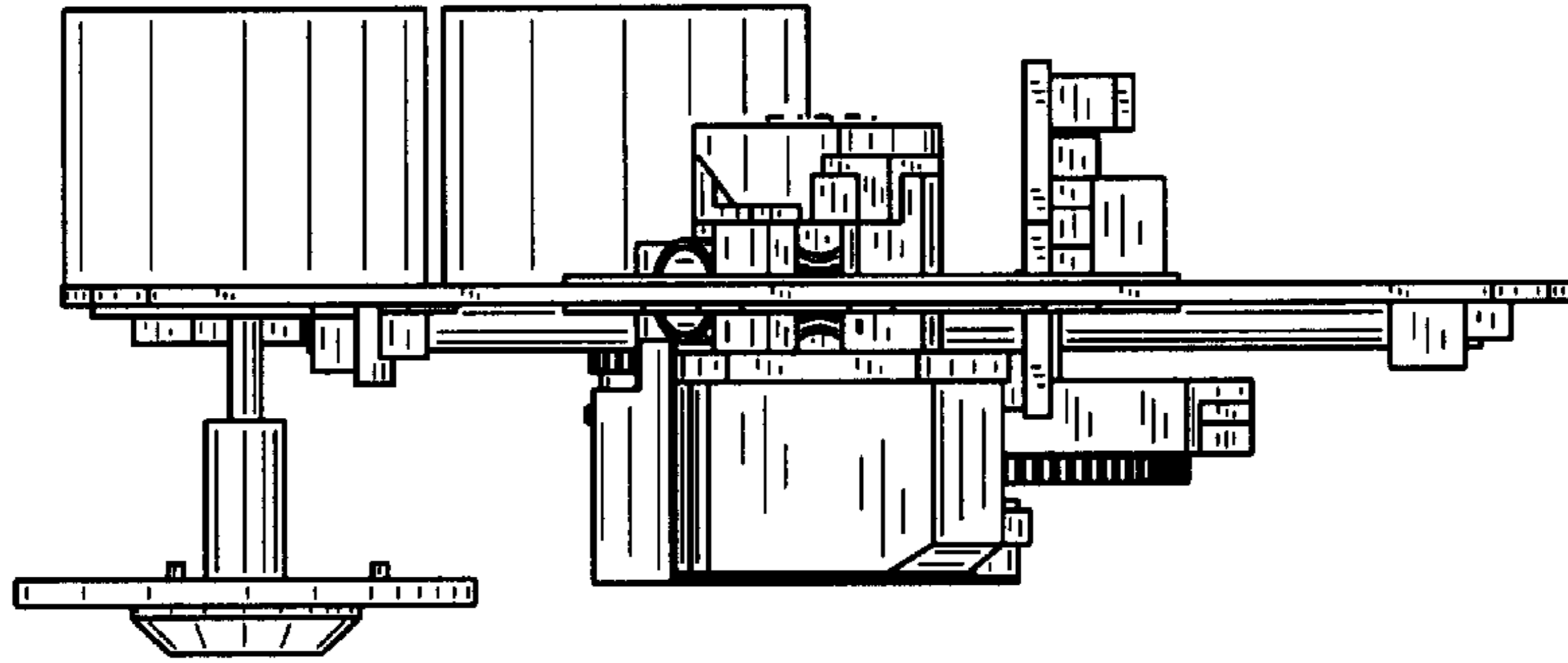


FIG.7

