



US00D524304S

(12) **United States Design Patent**  
**Kimura et al.**

(10) **Patent No.:** **US D524,304 S**  
(45) **Date of Patent:** **\*\* Jul. 4, 2006**

(54) **RADIO TUNER WITH DIGITAL AUDIO DISK  
PLAYER FOR AUTOMOBILE**

(75) Inventors: **Kenzi Kimura**, Tsuchiura (JP); **Hiroshi  
Yamamoto**, Yokohama (JP)

(73) Assignee: **Victor Company of Japan, Limited**,  
Yokohama (JP)

(\*\*) Term: **14 Years**

(21) Appl. No.: **29/207,505**

(22) Filed: **Jun. 16, 2004**

(30) **Foreign Application Priority Data**

Dec. 17, 2003 (JP) ..... D2003-037229

(51) **LOC (8) Cl.** ..... **14-01**

(52) **U.S. Cl.** ..... **D14/258; D14/157**

(58) **Field of Classification Search** ..... D14/135-136,  
D14/156-157, 160-165, 167-168, 192-198,  
D14/188, 217, 257, 258, 445; 360/99.02,  
360/99.07; 369/75.11, 75.21, 77.21, 77.11;  
720/612, 619, 647, 655; 455/344, 347-351  
See application file for complete search history.

(56) **References Cited**

**U.S. PATENT DOCUMENTS**

5,848,042 A \* 12/1998 Takahashi et al. .... 720/647  
5,852,594 A \* 12/1998 Kaise et al. .... 720/647

D436,089 S \* 1/2001 Nishiwaki et al. .... D14/135  
D448,741 S \* 10/2001 Makino et al. .... D14/136  
D470,115 S \* 2/2003 Zeitman ..... D14/136  
D475,691 S \* 6/2003 Nishii et al. .... D14/157  
D482,014 S \* 11/2003 Hakoda et al. .... D14/157

\* cited by examiner

*Primary Examiner*—Nanda Bondade

(74) *Attorney, Agent, or Firm*—Nath & Associates PLLC;  
Gregory B. Kang; Derek Richmond

(57) **CLAIM**

The ornamental design for a radio tuner with digital audio  
disk player for automobile, as shown and described.

**DESCRIPTION**

FIG. 1 is a perspective view of a radio tuner with digital  
audio disk player for automobile;  
FIG. 2 is a front view thereof;  
FIG. 3 is a right side view thereof;  
FIG. 4 is a left side view thereof;  
FIG. 5 is a top plan view thereof;  
FIG. 6 is a bottom plan view thereof; and,  
FIG. 7 is a perspective view thereof showing the article with  
its front panel opened.

The broken line showing on the drawing disclosure is for  
illustrative purposes only and forms no part of the claimed  
design.

**1 Claim, 5 Drawing Sheets**

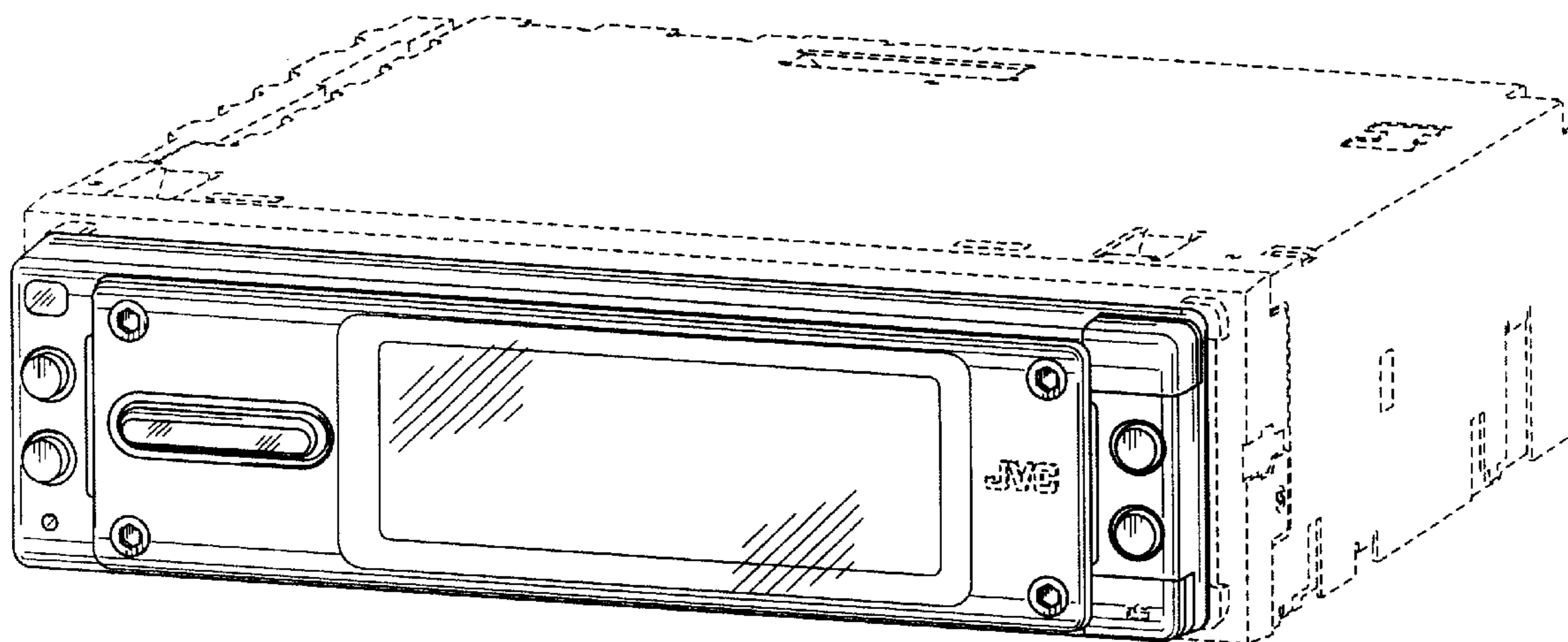


FIG.1

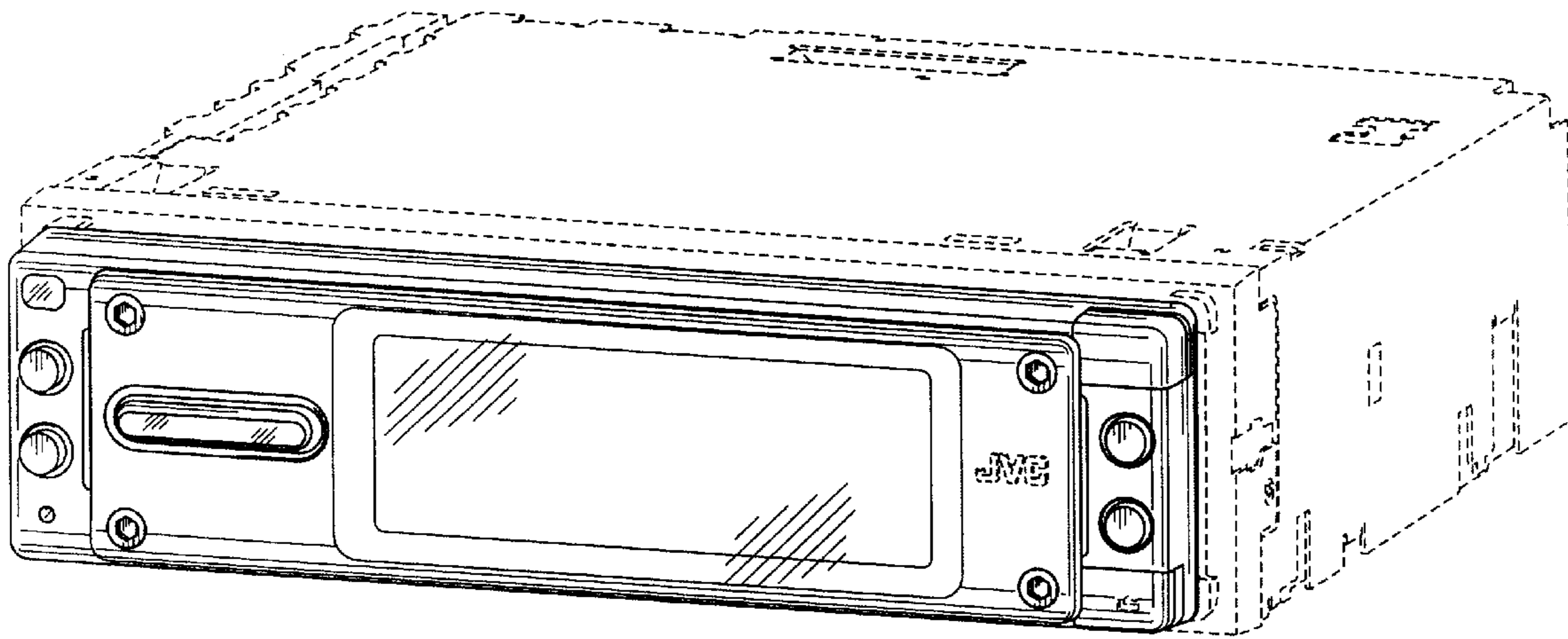


FIG.2

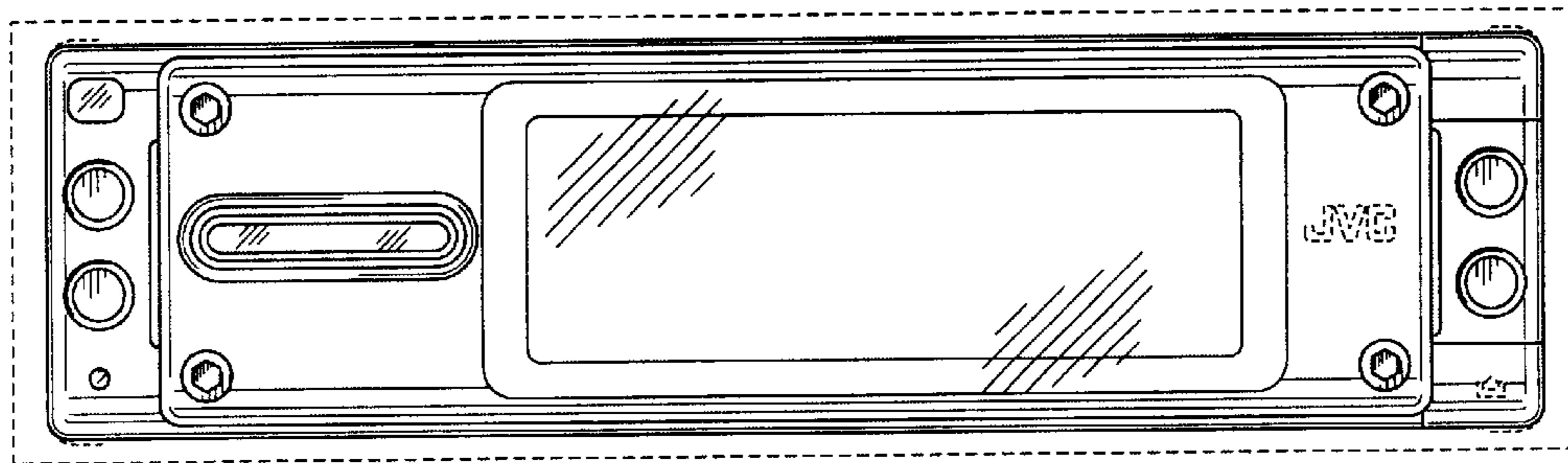


FIG.3

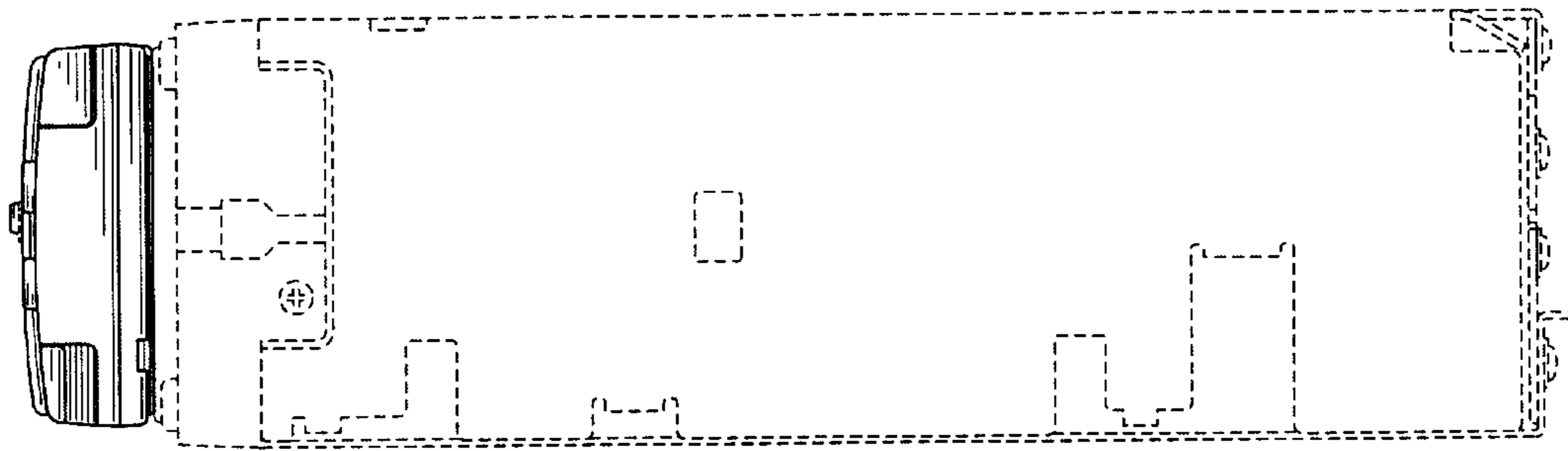


FIG.4

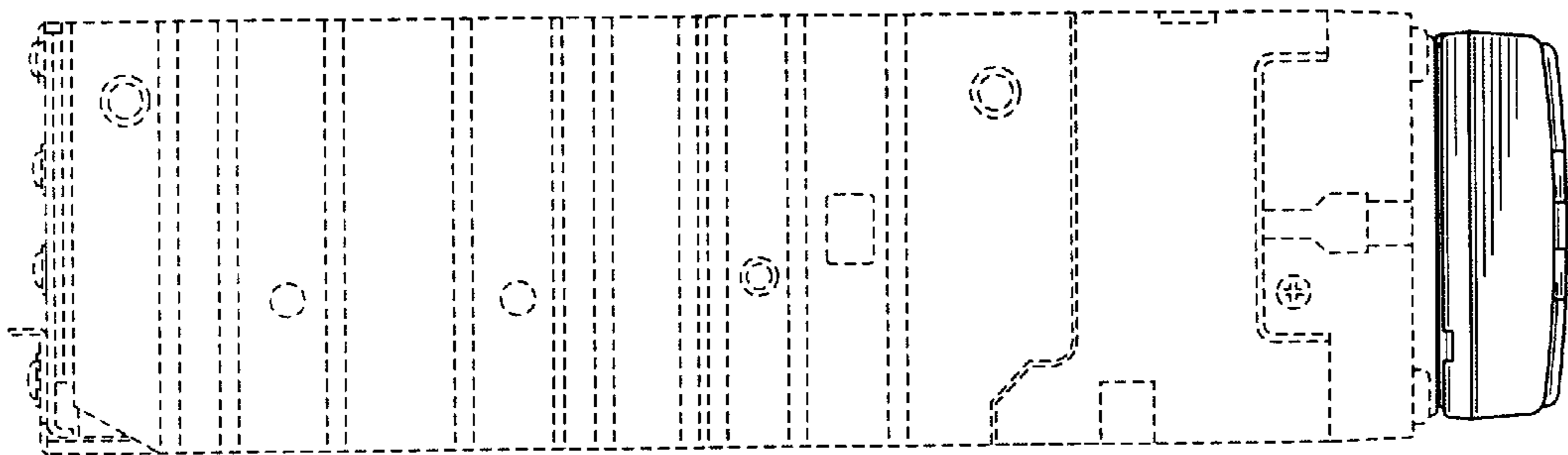


FIG. 5

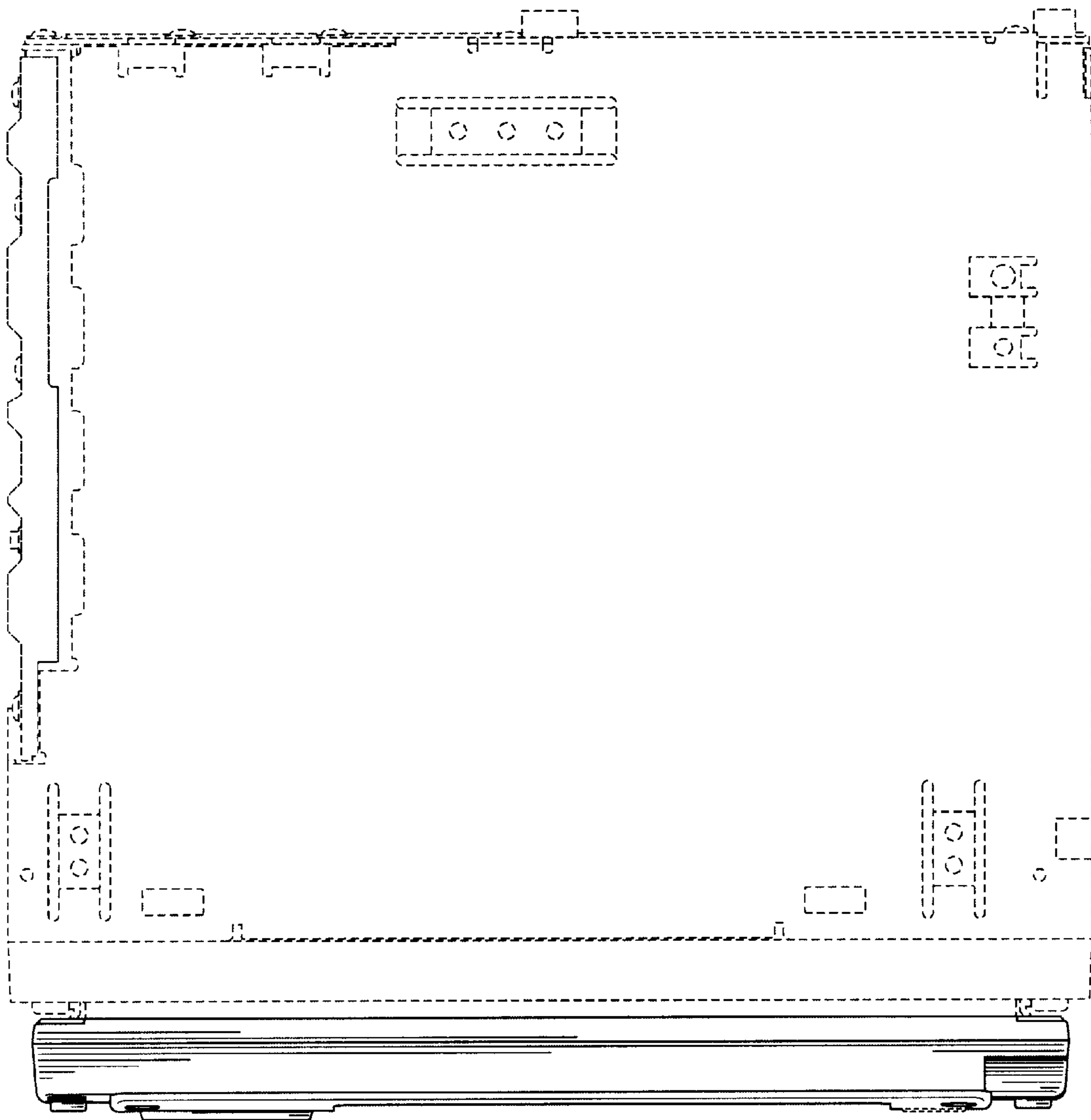


FIG.6

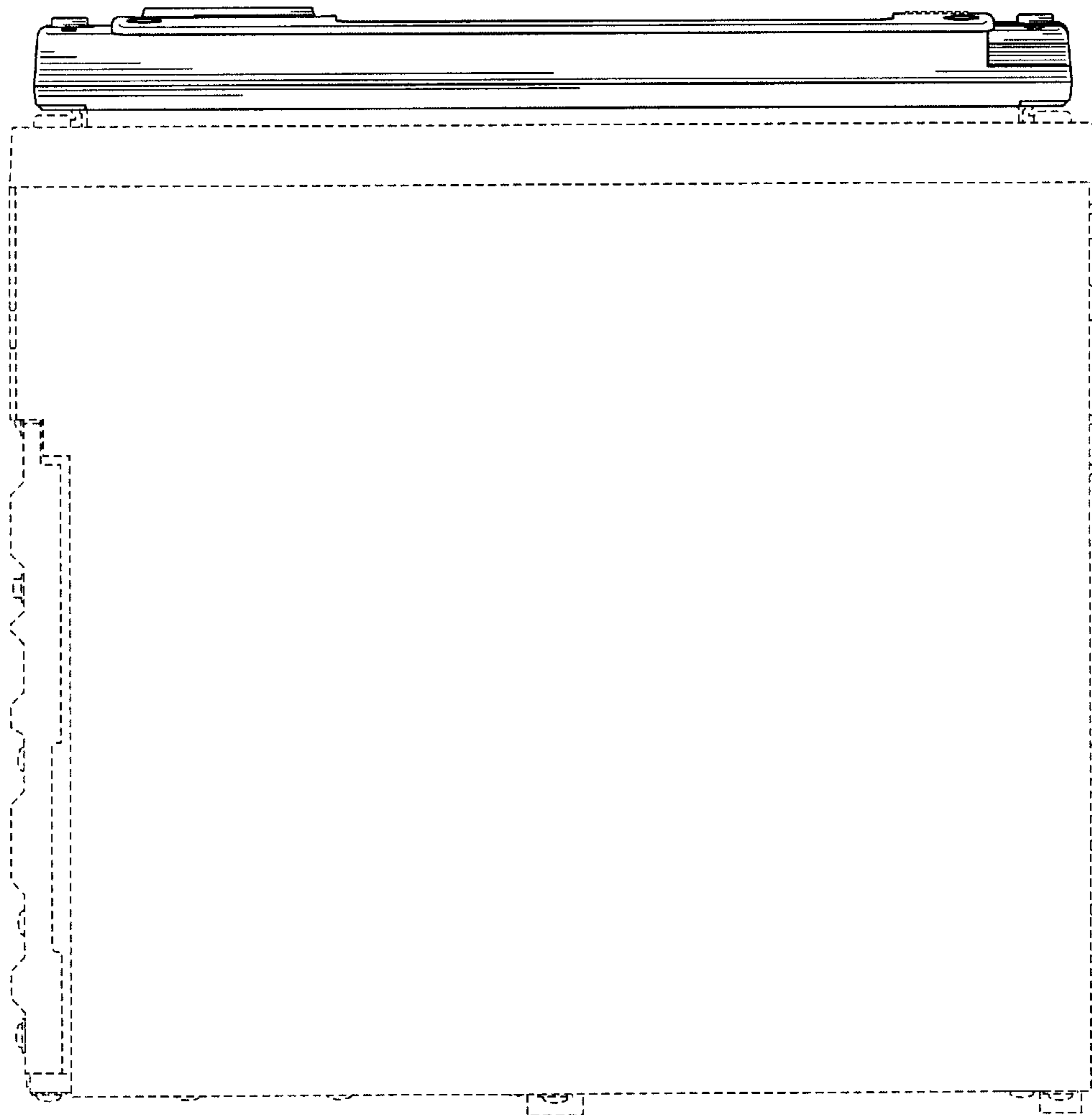


FIG.7

