



US00D524300S

(12) **United States Design Patent**  
**Amada et al.**

(10) **Patent No.:** **US D524,300 S**  
(45) **Date of Patent:** **\*\* Jul. 4, 2006**

(54) **SPEAKER FOR AN AUTOMOBILE**

(75) Inventors: **Hiroyuki Amada**, Matsusaka (JP);  
**Shinsaku Sawa**, Matsusaka (JP)

(73) Assignee: **Matsushita Electric Industrial, Co., Ltd.**, Osaka (JP)

(\*\*) Term: **14 Years**

(21) Appl. No.: **29/225,451**

(22) Filed: **Mar. 16, 2005**

(30) **Foreign Application Priority Data**

Sep. 24, 2004 (JP) ..... 2004-028892

(51) **LOC (8) Cl.** ..... **14-01**

(52) **U.S. Cl.** ..... **D14/221**

(58) **Field of Classification Search** ..... D14/204,  
D14/207, 209-216, 221-222, 157, 356, 496;  
181/143-144, 147-148, 150, 157, 198-199,  
181/153; 381/300-302, 306, 333, 345, 361-364,  
381/332, 336, 380, 186, 87

See application file for complete search history.

(56) **References Cited**

**U.S. PATENT DOCUMENTS**

D302,695 S \* 8/1989 Weissberg et al. .... D14/222

D349,499 S \* 8/1994 Collins ..... D14/216  
D432,118 S \* 10/2000 Honnert ..... D14/221  
D480,709 S \* 10/2003 Proni ..... D14/216  
6,675,930 B1 \* 1/2004 Sugiyama et al. .... 181/148

\* cited by examiner

*Primary Examiner*—Nanda Bondade

(74) *Attorney, Agent, or Firm*—Brinks Hofer Gilson & Lione

(57) **CLAIM**

We claim the ornamental design for a speaker for an automobile, as shown and described.

**DESCRIPTION**

FIG. 1 is a top perspective view of a speaker for an automobile of the present invention;  
FIG. 2 is a top view thereof;  
FIG. 3 is a first side view thereof;  
FIG. 4 is a second side view thereof;  
FIG. 5 is a third side view thereof;  
FIG. 6 is a fourth side view thereof;  
FIG. 7 is a bottom view thereof; and,  
FIG. 8 is a bottom perspective view thereof.

**1 Claim, 5 Drawing Sheets**

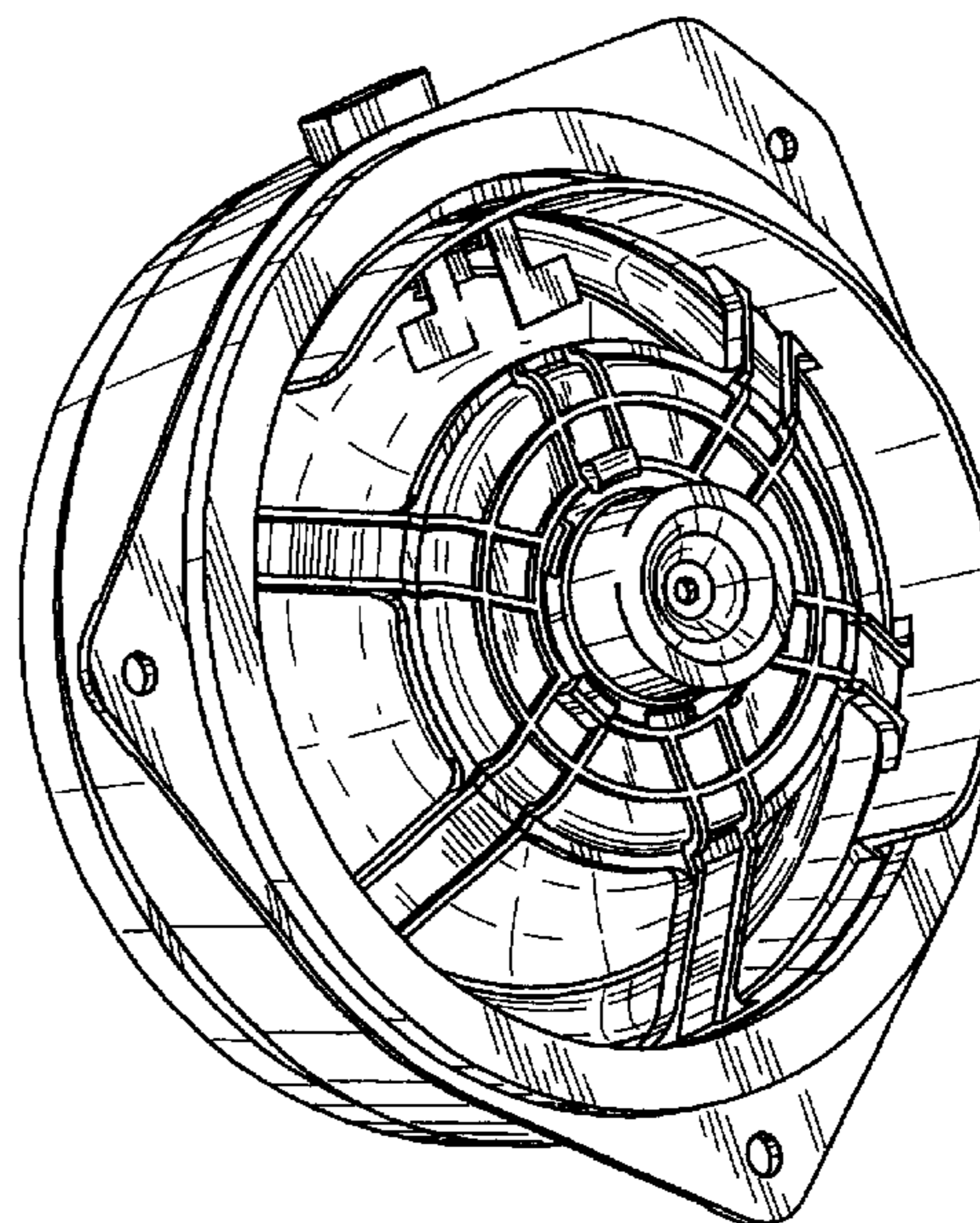
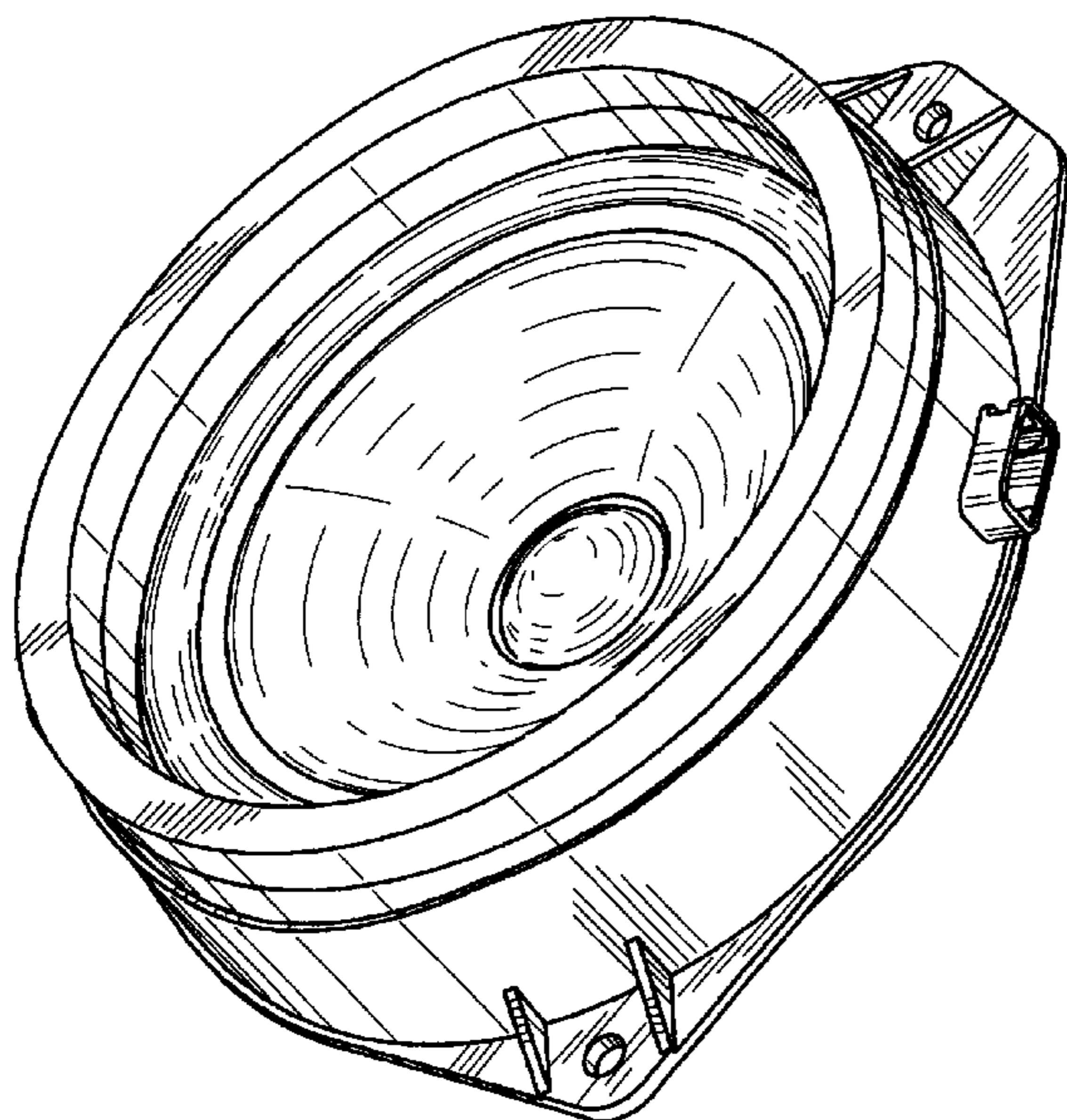


FIG.1

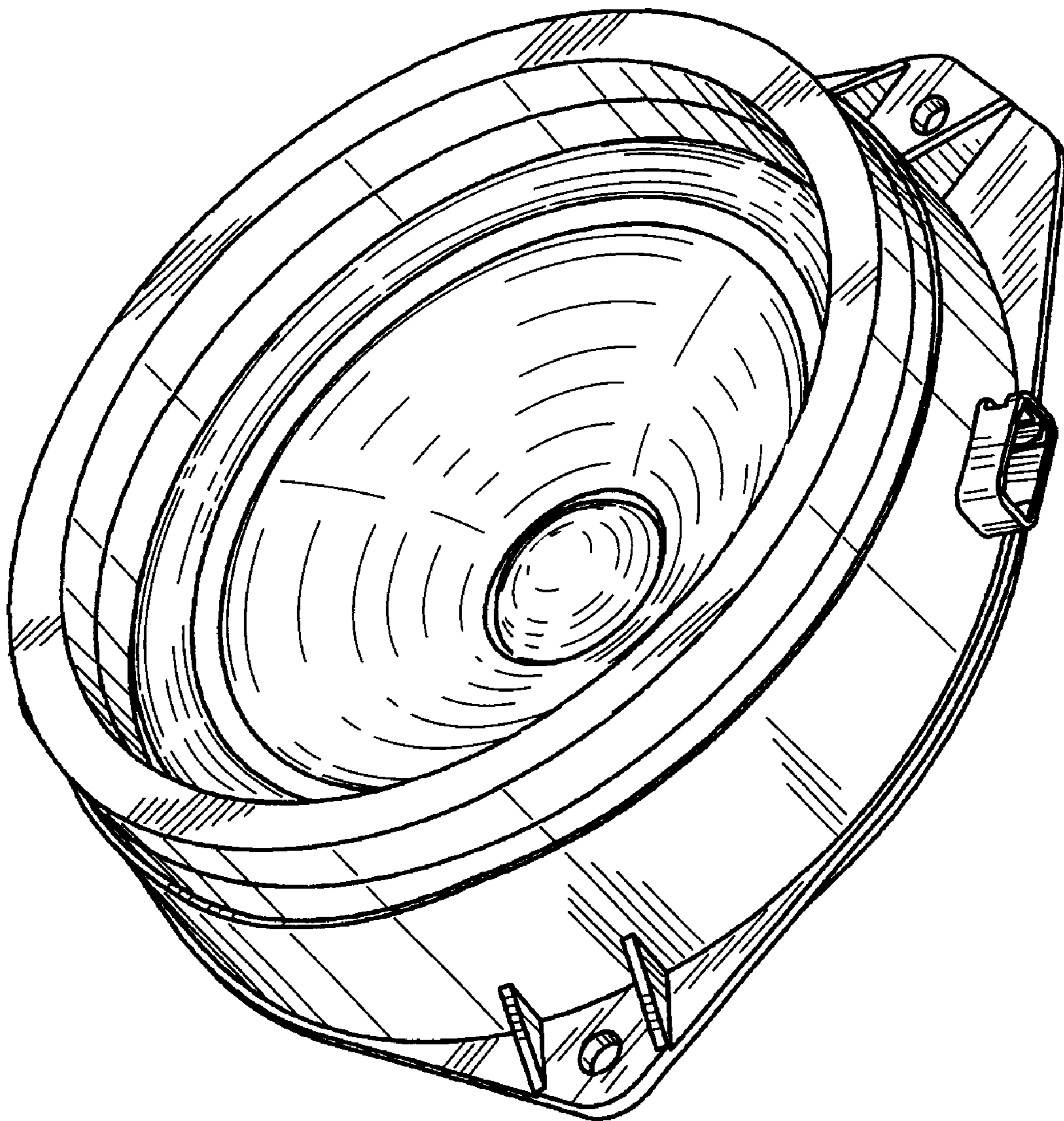


FIG.2

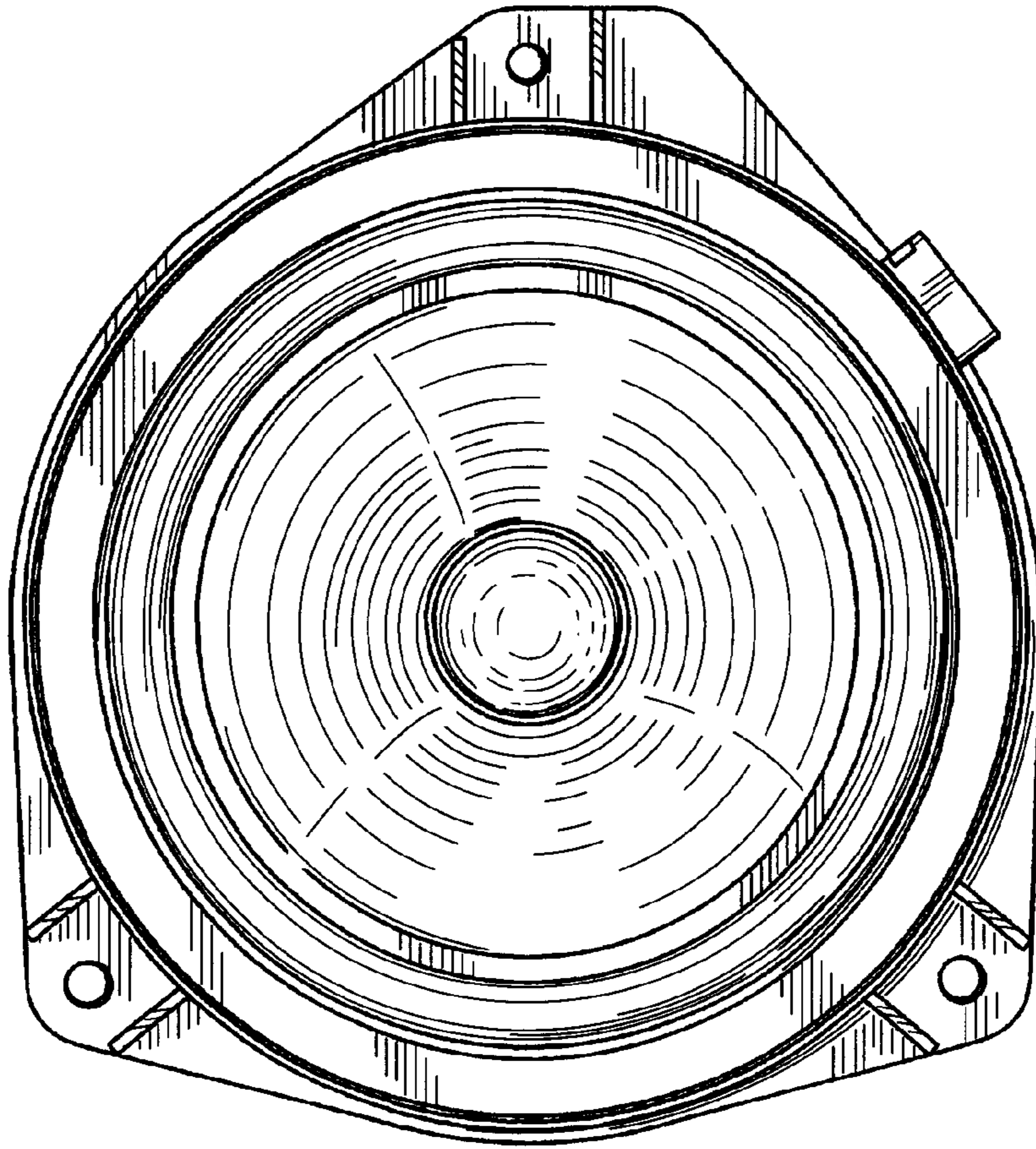


FIG.3

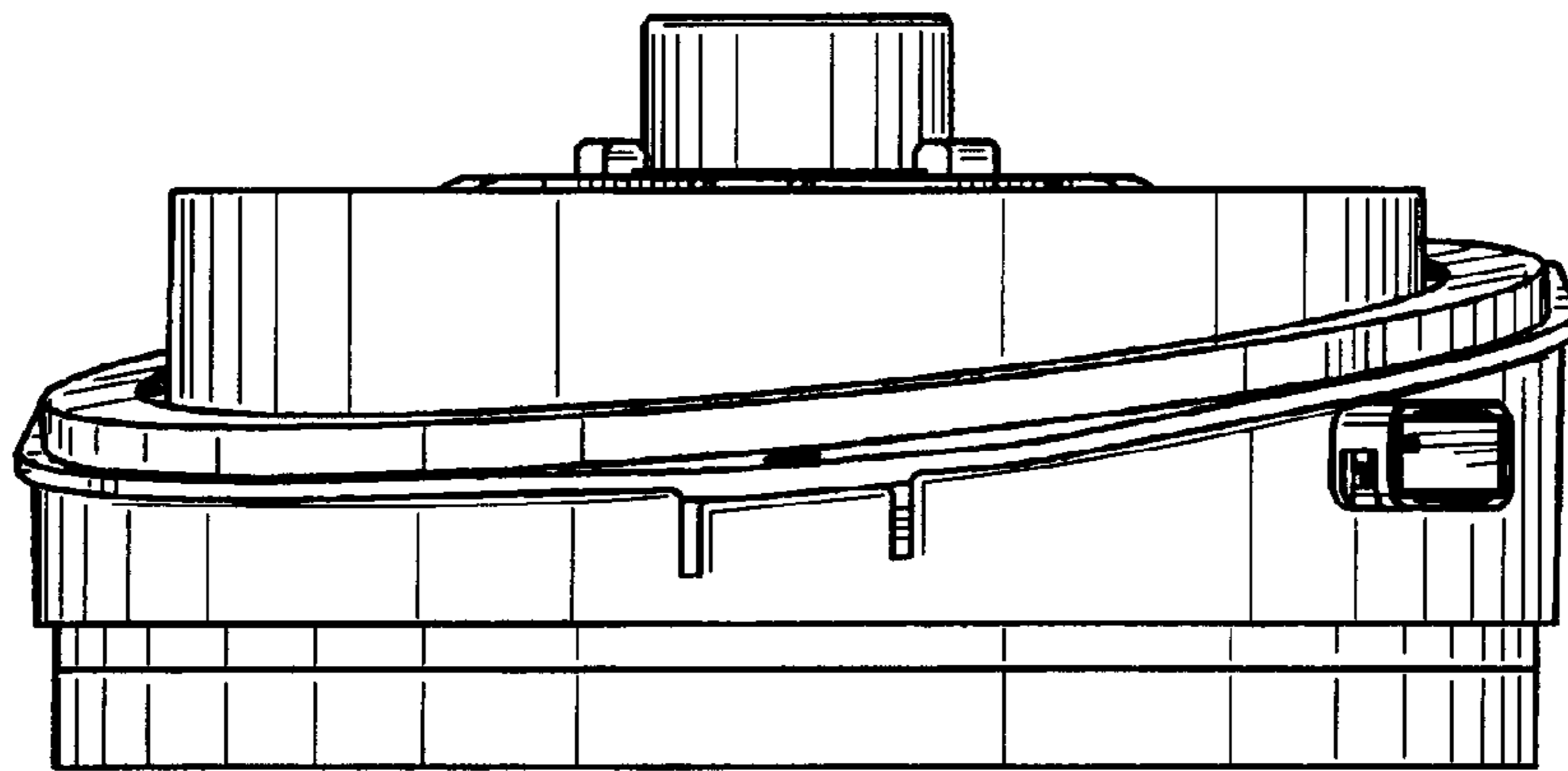


FIG.4

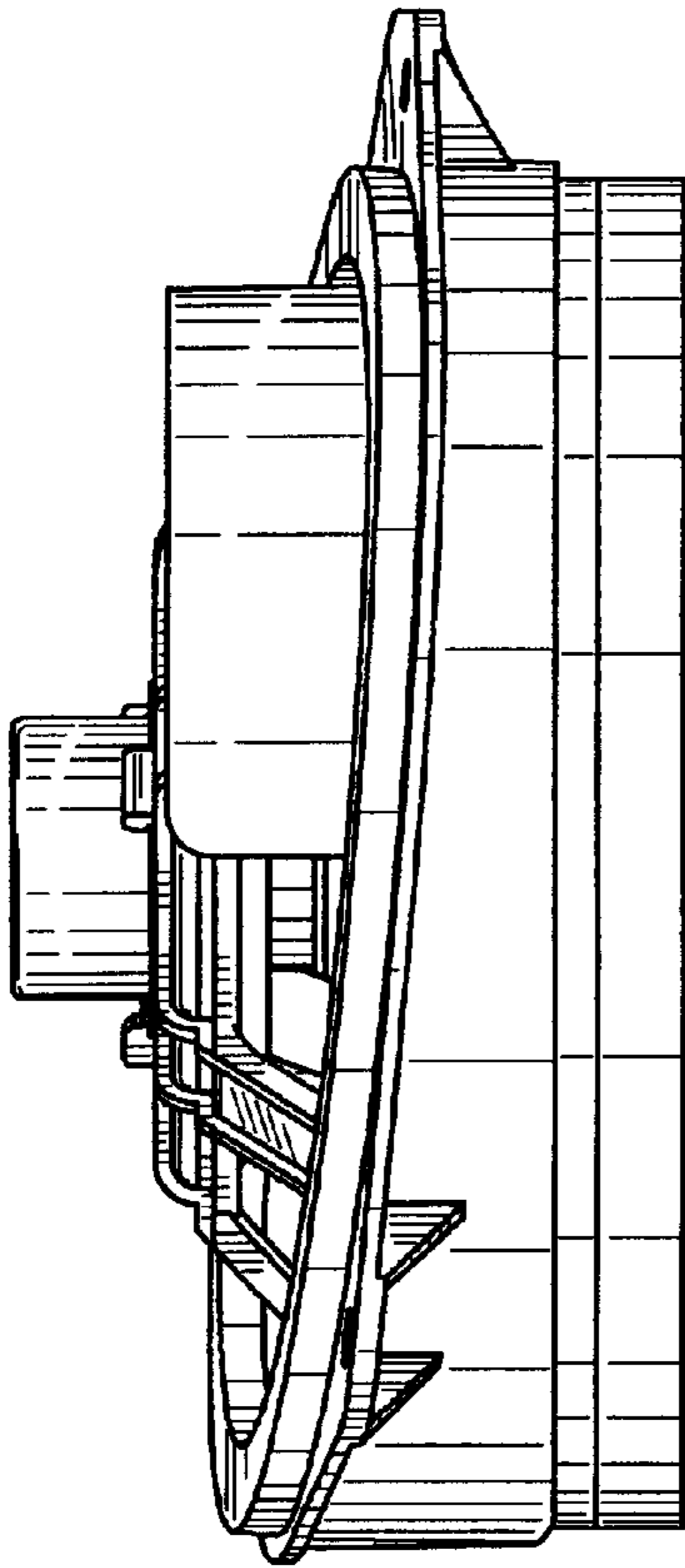


FIG.5

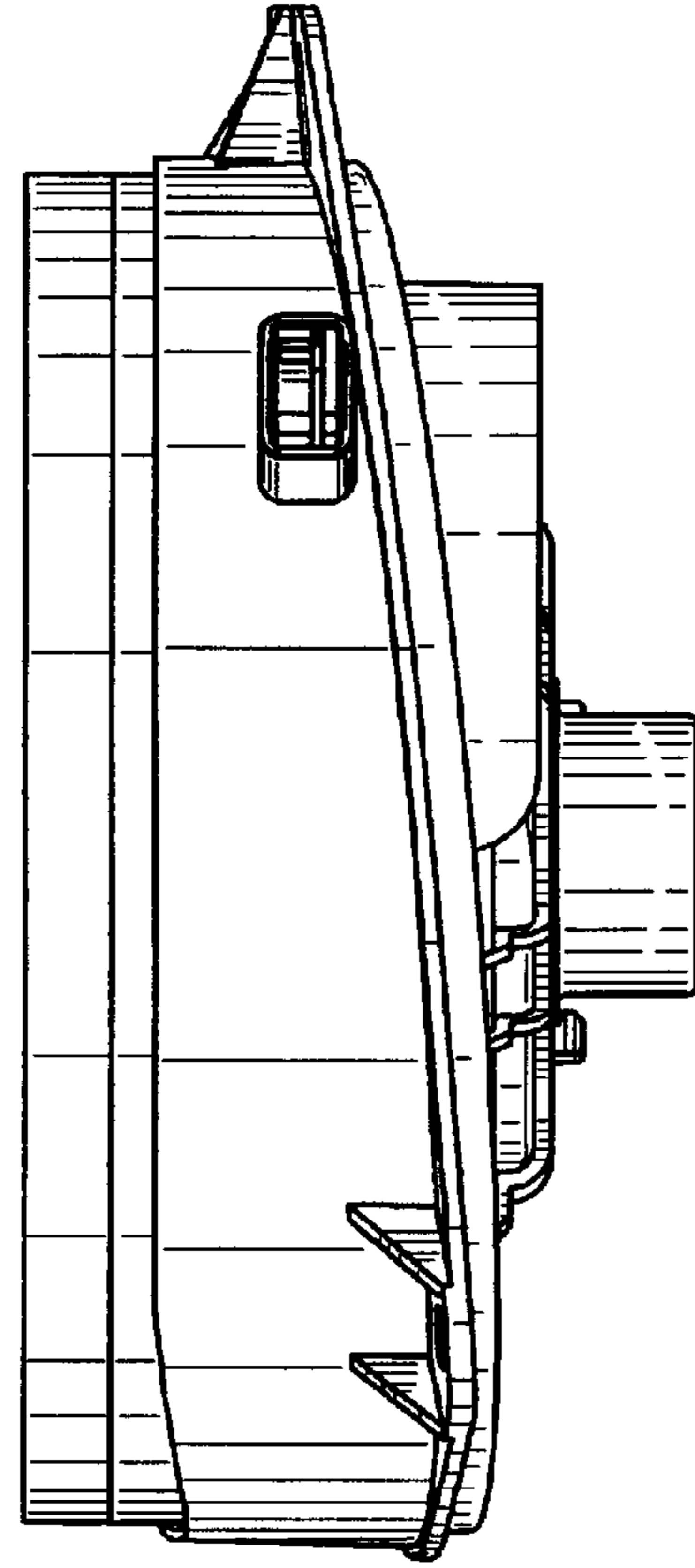


FIG.6

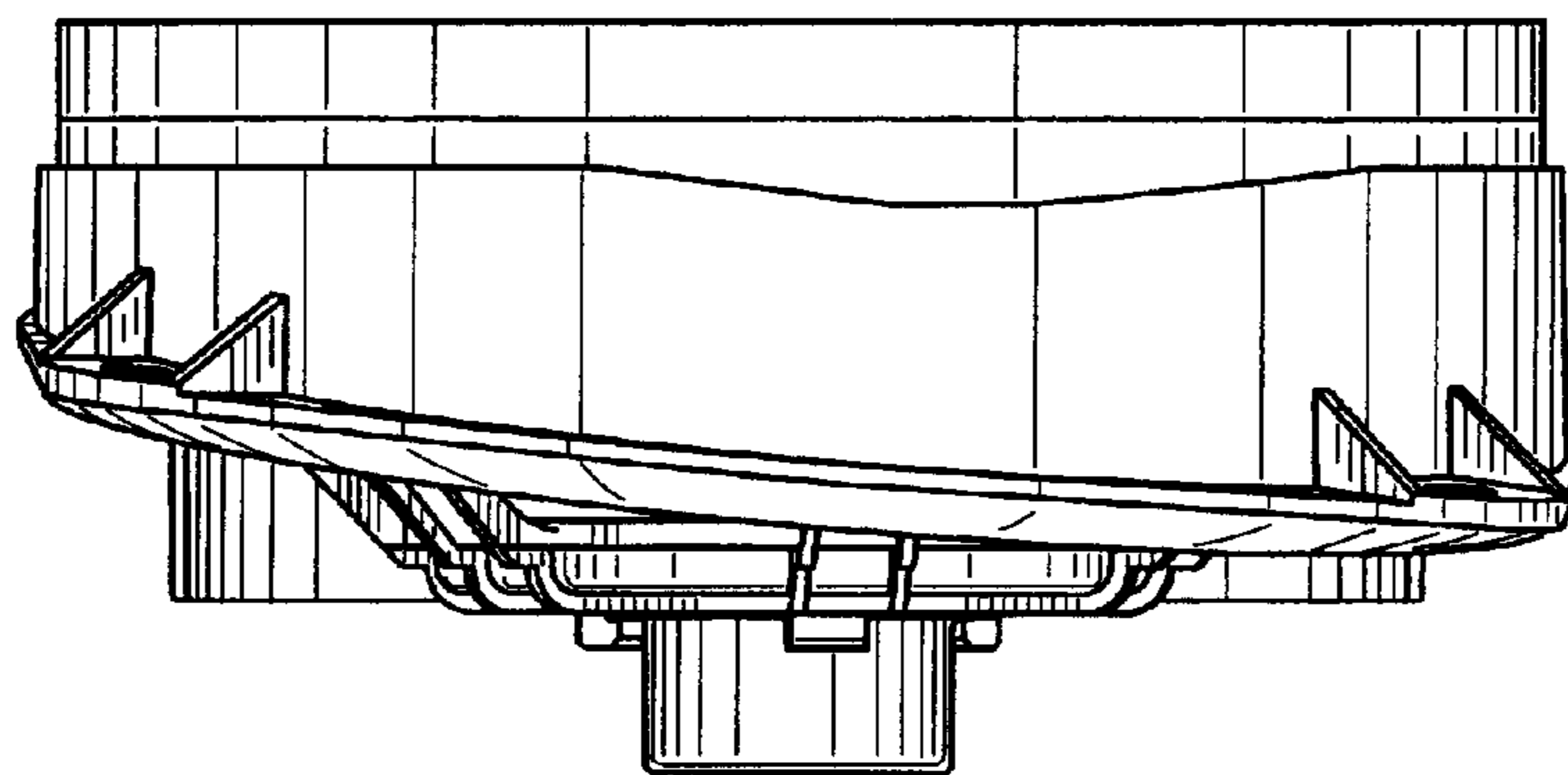


FIG.7

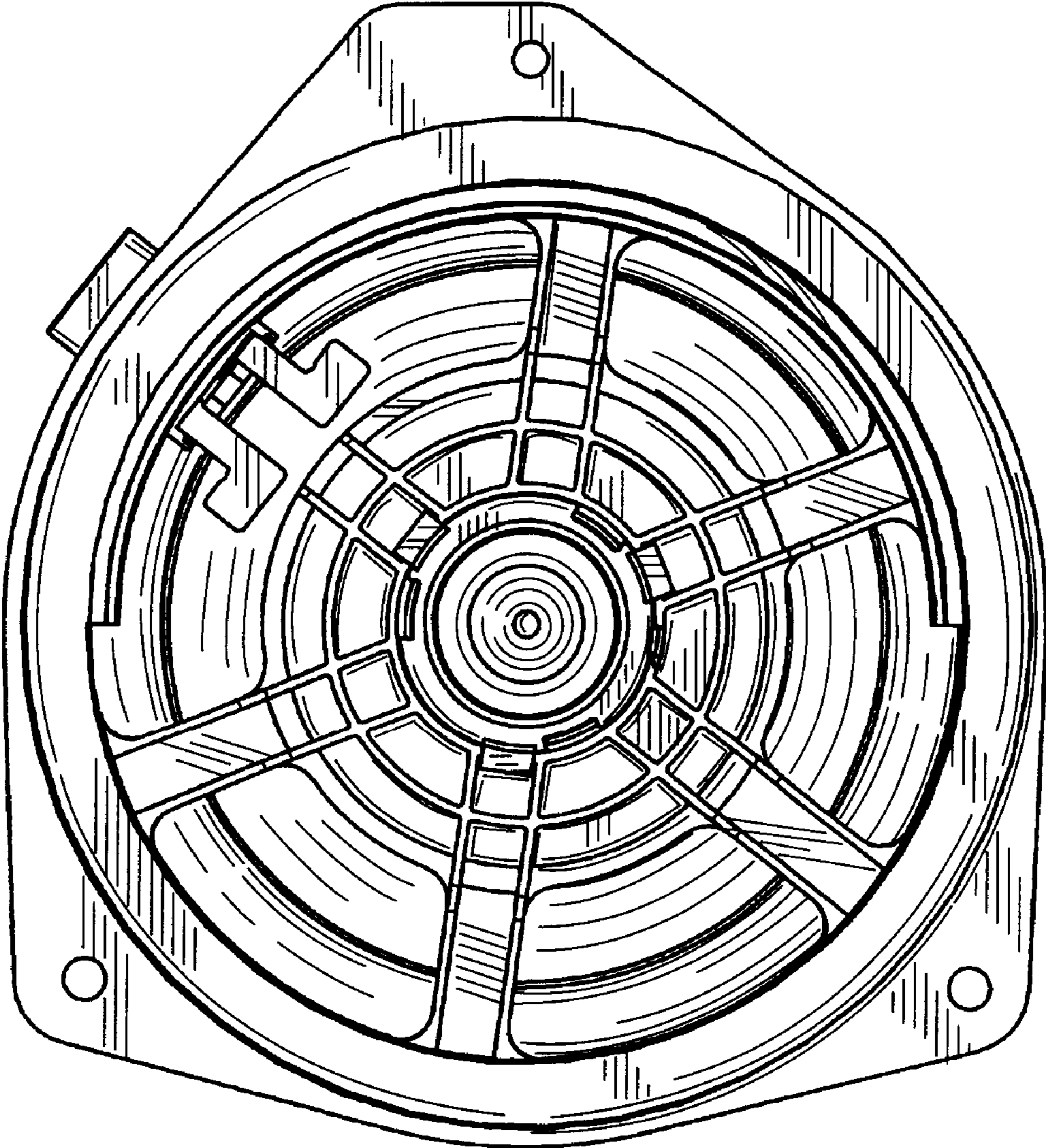


FIG.8

