



US00D524298S

(12) **United States Design Patent**  
**Hedderich et al.**

(10) **Patent No.:** **US D524,298 S**

(45) **Date of Patent:** **\*\* Jul. 4, 2006**

(54) **HAND-HELD REMOTE CONTROL**

(56) **References Cited**

(75) Inventors: **Richard C. Hedderich**, Sandy, UT (US); **Roger T. Johnsen**, Salt Lake City, UT (US); **Paul B. Vincent**, Centerville, UT (US); **Paul E. Nagel**, Sandy, UT (US); **James R. Gist**, Draper, UT (US); **William B. West**, Sandy, UT (US); **Wallace Eric Smith**, Lindon, UT (US); **Mark J. Morgan**, Draper, UT (US)

U.S. PATENT DOCUMENTS

D331,760 S \* 12/1992 Renk, Jr. .... D14/218  
D427,584 S \* 7/2000 Dent ..... D14/218  
D486,145 S \* 2/2004 Kaminski et al. .... D14/218  
D504,677 S \* 5/2005 Kaminski et al. .... D14/218

\* cited by examiner

*Primary Examiner*—Louis S. Zarfaz

*Assistant Examiner*—John Windmuller

(74) *Attorney, Agent, or Firm*—Thorpe North & Western LLP

(73) Assignee: **Control4 Corporation**, Draper, UT (US)

(57) **CLAIM**

(\*\*) Term: **14 Years**

The ornamental design for a hand-held remote control, as shown and described.

(21) Appl. No.: **29/212,787**

**DESCRIPTION**

(22) Filed: **Sep. 7, 2004**

(51) **LOC (8) Cl.** ..... **14-03**

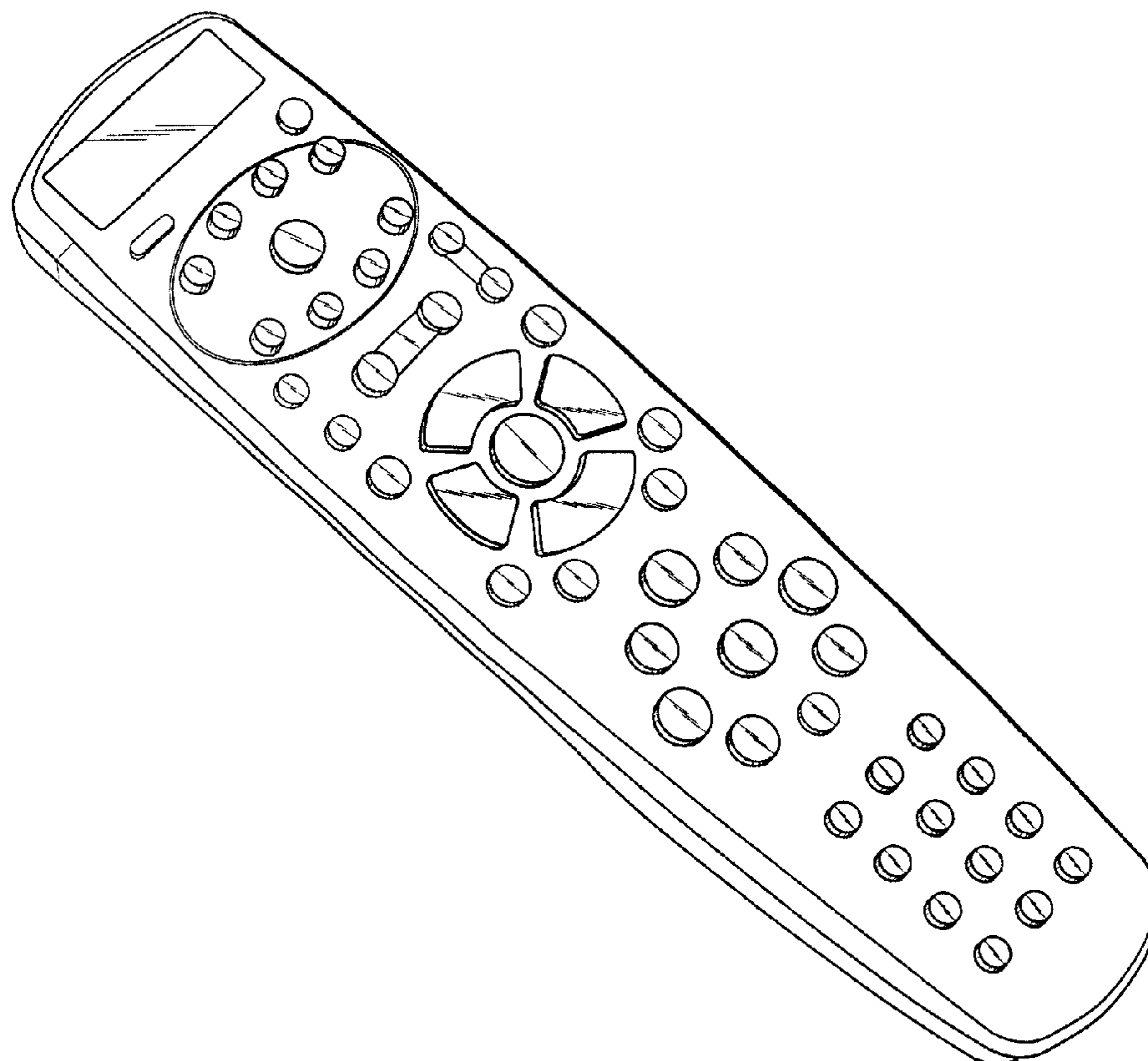
(52) **U.S. Cl.** ..... **D14/218**

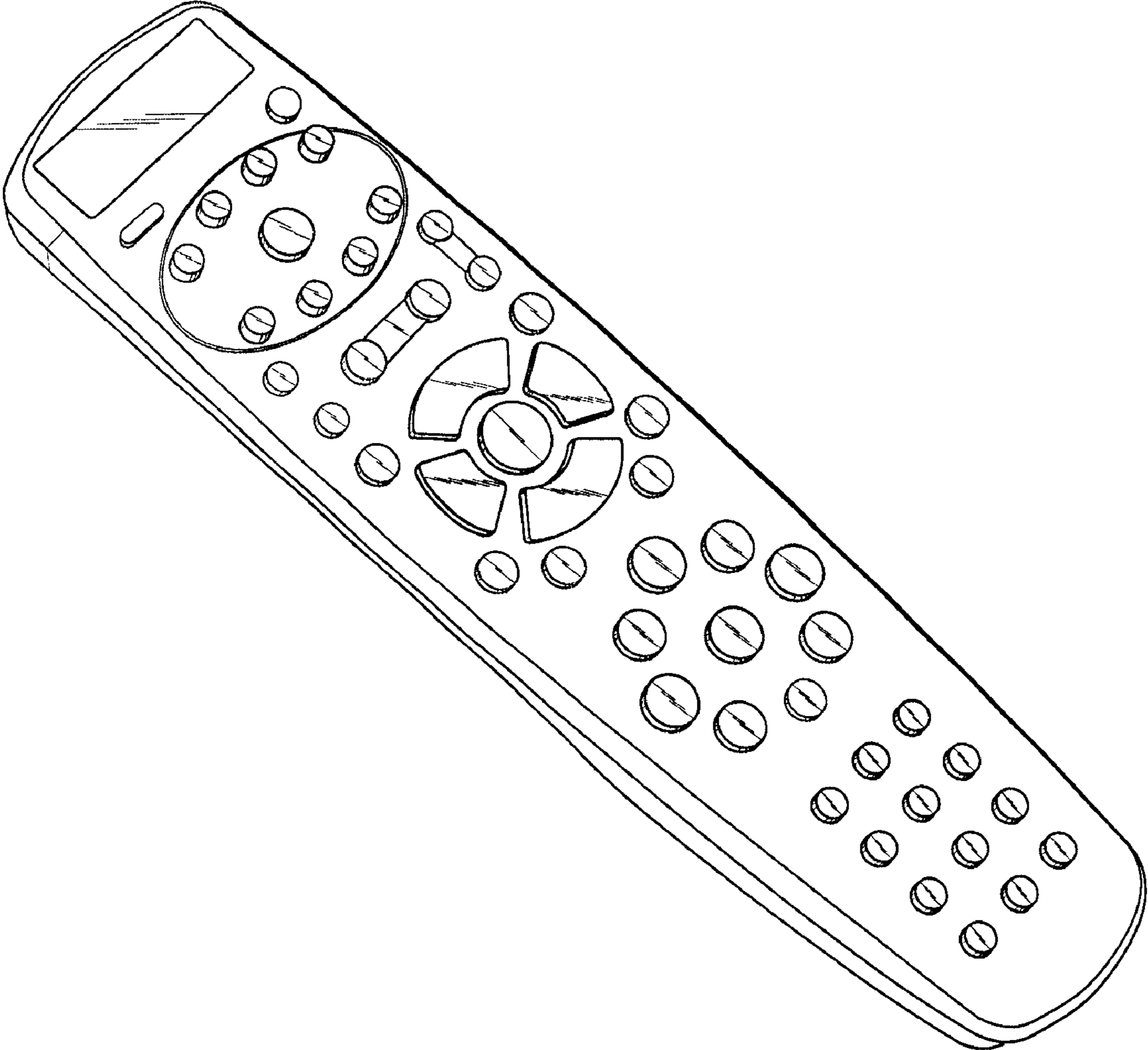
(58) **Field of Classification Search** ..... D14/174,  
D14/217, 218, 137–139, 151, 191–193, 299,  
D14/167, 168; D13/168, 162–164; D21/512–517,  
D21/566; D10/104, 106; 455/352–355, 151.1–151.4,  
455/128, 347, 90.3; 348/114, 734

FIG. 1 is a front perspective view of a hand-held remote control showing our new design;  
FIG. 2 is a front elevational view thereof;  
FIG. 3 is a right side elevational view thereof;  
FIG. 4 is a top plan view thereof at an enlarged scale;  
FIG. 5 is a bottom plan view thereof at an enlarged scale;  
and,  
FIG. 6 is a rear elevational view thereof.

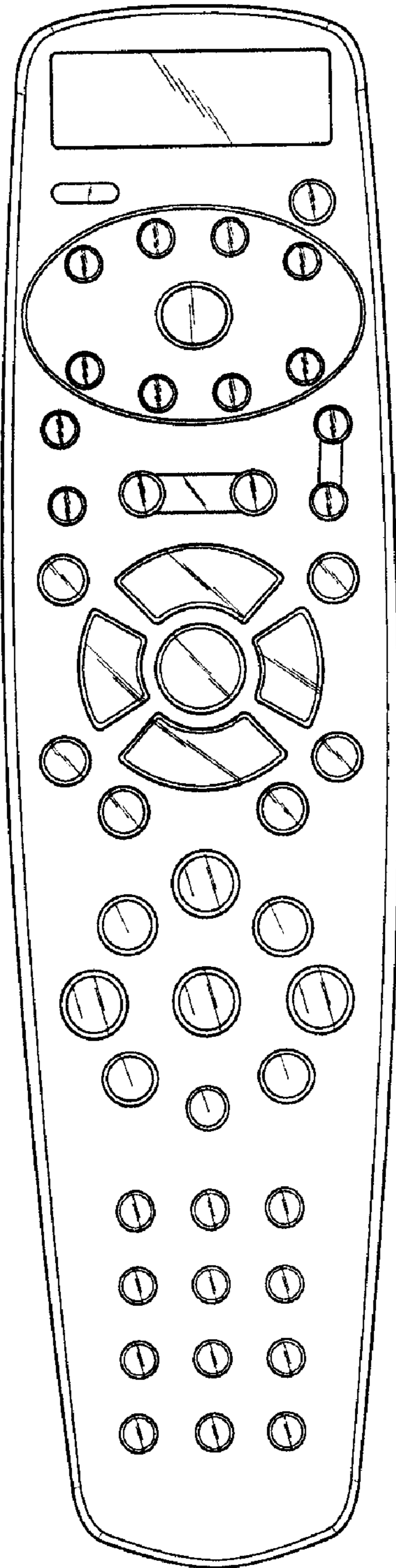
See application file for complete search history.

**1 Claim, 6 Drawing Sheets**

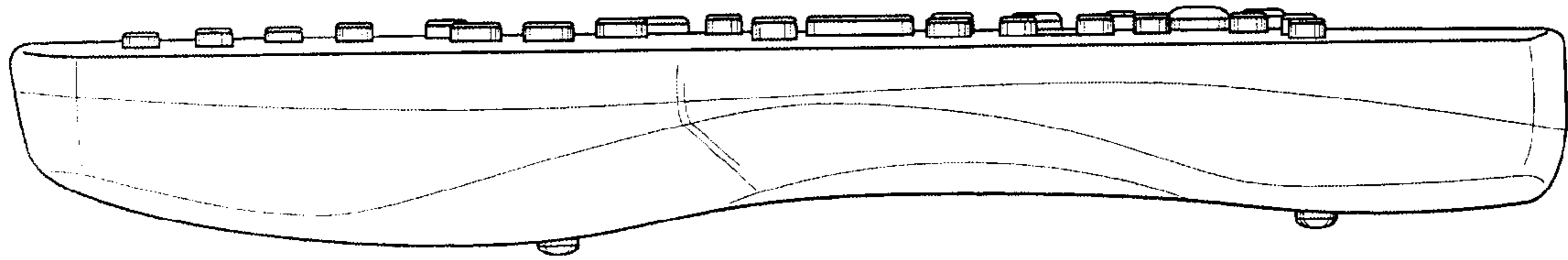




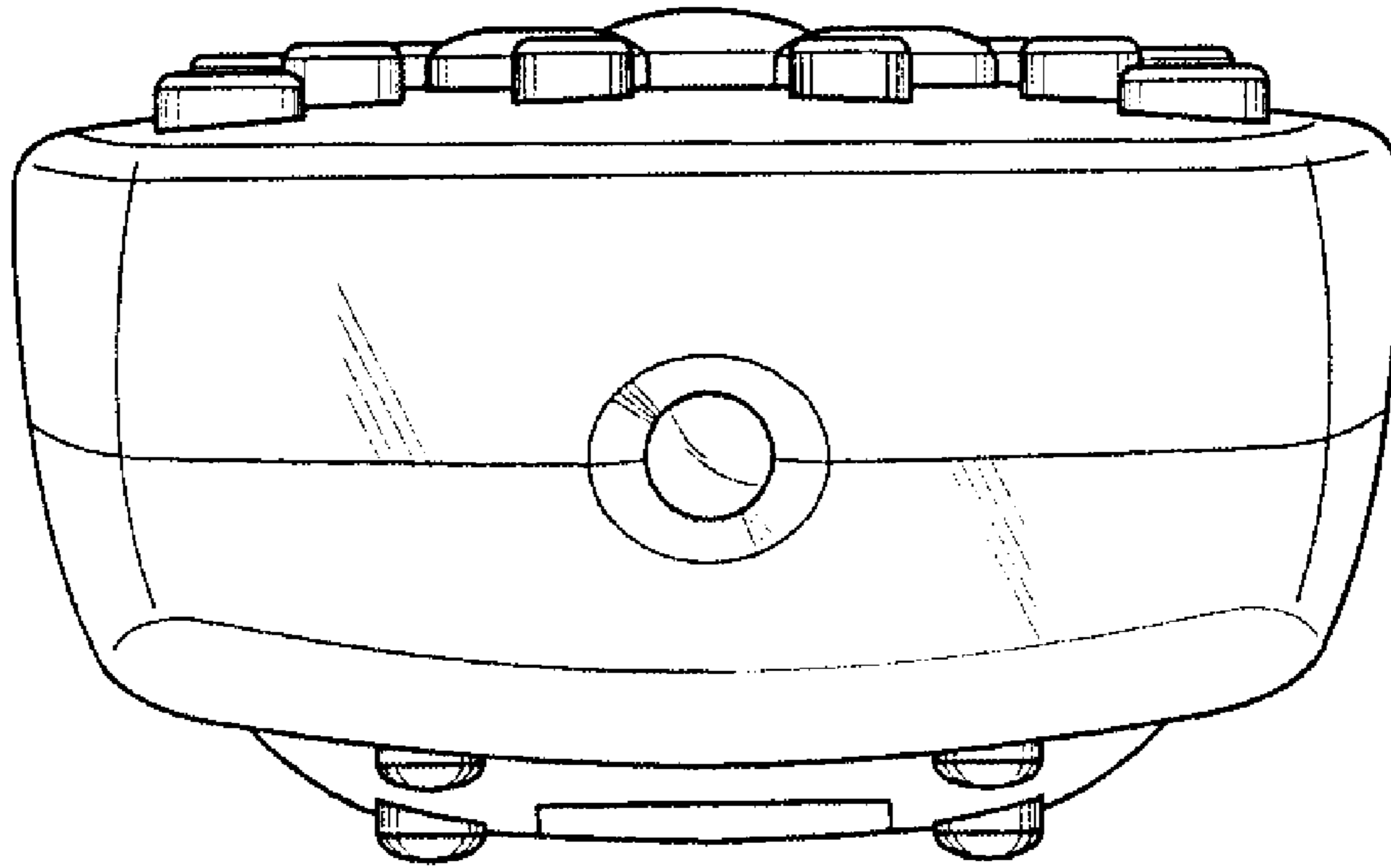
**Fig. 1**



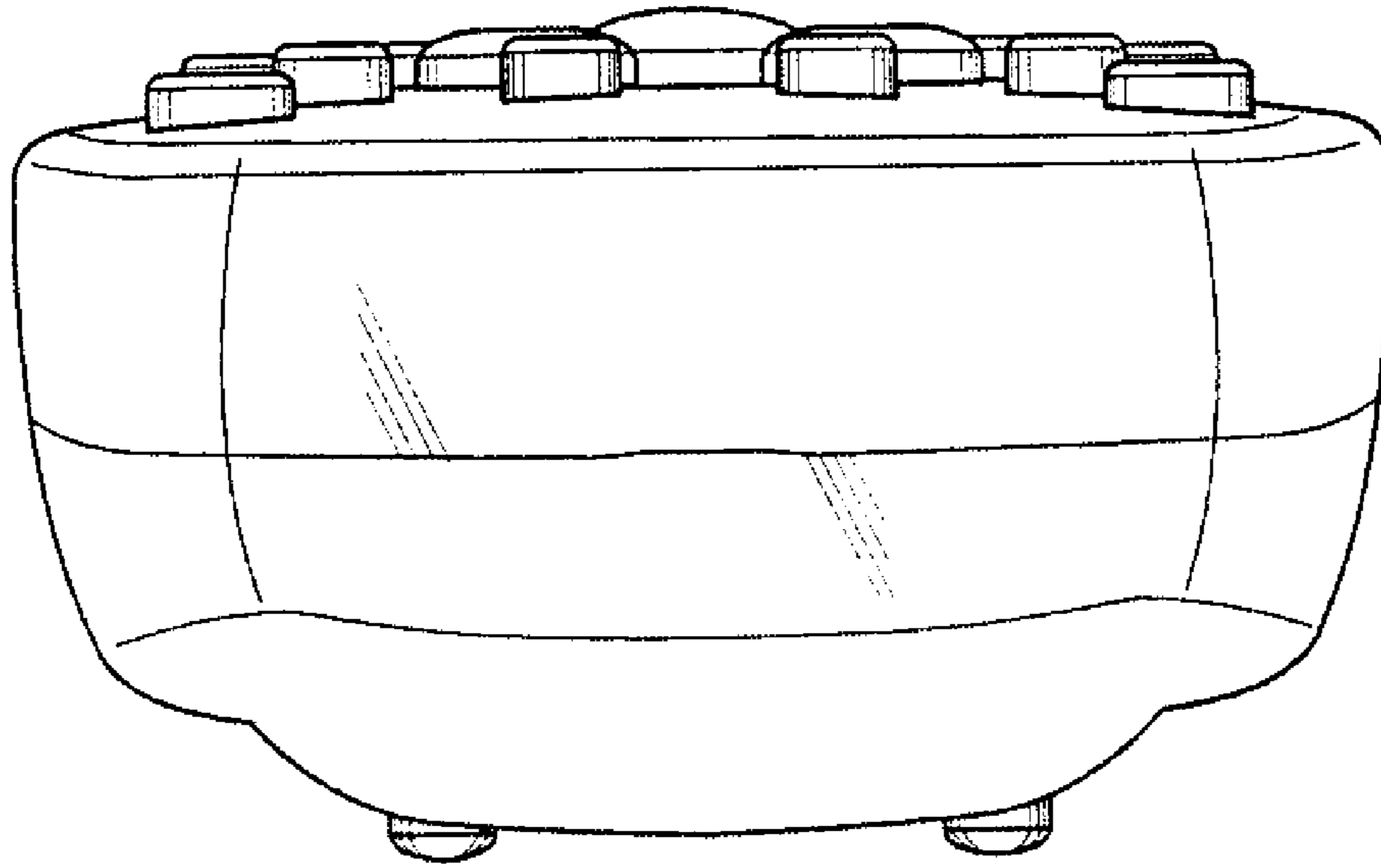
**Fig. 2**



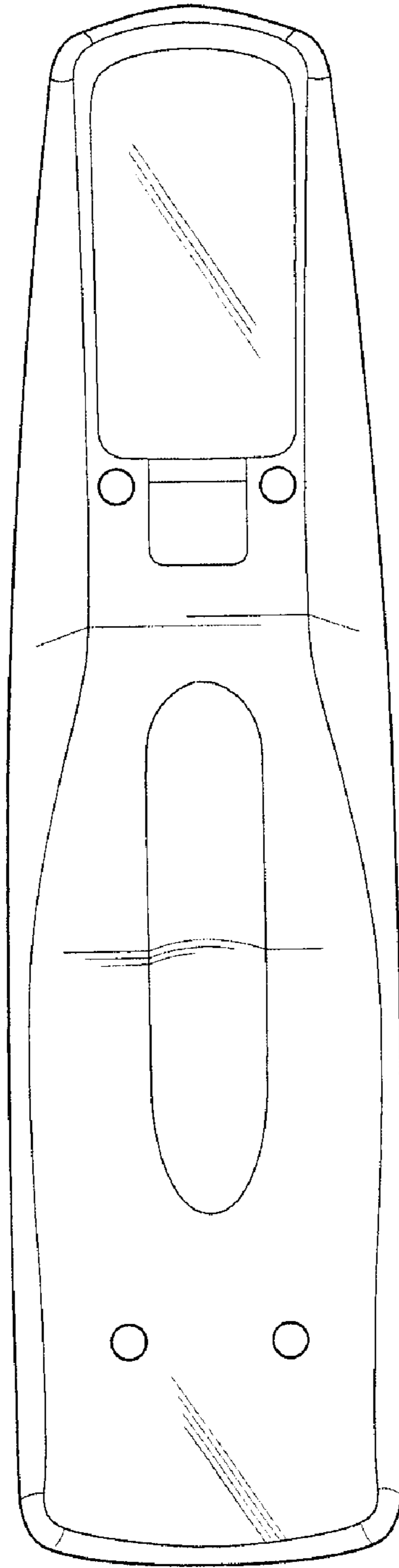
***Fig. 3***



***Fig. 4***



***Fig. 5***



**Fig. 6**