



US00D524295S

(12) **United States Design Patent**
Jacobson et al.

(10) **Patent No.:** **US D524,295 S**

(45) **Date of Patent:** **** Jul. 4, 2006**

(54) **IN-LINE VOLUME CONTROL**

(75) Inventors: **Robert Jacobson**, Camas, WA (US);
Raymond Weikel, Camas, WA (US);
Dominic Amae, Vancouver, WA (US);
Omer Kotzer, Portland, OR (US);
Jamian Cobbett, Portland, OR (US);
Pierre Harper, Portland, OR (US)

(73) Assignee: **Logitech Europe S.A.**,
Romanel-sur-Morgas (CH)

(**) Term: **14 Years**

(21) Appl. No.: **29/205,941**

(22) Filed: **May 21, 2004**

(51) **LOC (8) Cl.** **14-03**

(52) **U.S. Cl.** **D14/218**

(58) **Field of Classification Search** D14/174,
D14/217, 218, 137-139, 151, 191-193, 299,
D14/167, 168; D13/168, 162-164; D21/512-517,
D21/566; D10/104, 106; 455/352-355, 151.1-151.4,
455/128, 347, 90.3; 348/114, 734
See application file for complete search history.

(56) **References Cited**

U.S. PATENT DOCUMENTS

D371,793 S * 7/1996 Patton D14/218

D407,985 S * 4/1999 Pimentel D10/104
D458,919 S * 6/2002 Arjomand et al. D14/218
D465,476 S * 11/2002 Golding et al. D14/217
D512,417 S * 12/2005 Hirakawa et al. D14/223

* cited by examiner

Primary Examiner—Louis S. Zarfes
Assistant Examiner—John Windmuller
(74) *Attorney, Agent, or Firm*—Ipsolon LLP

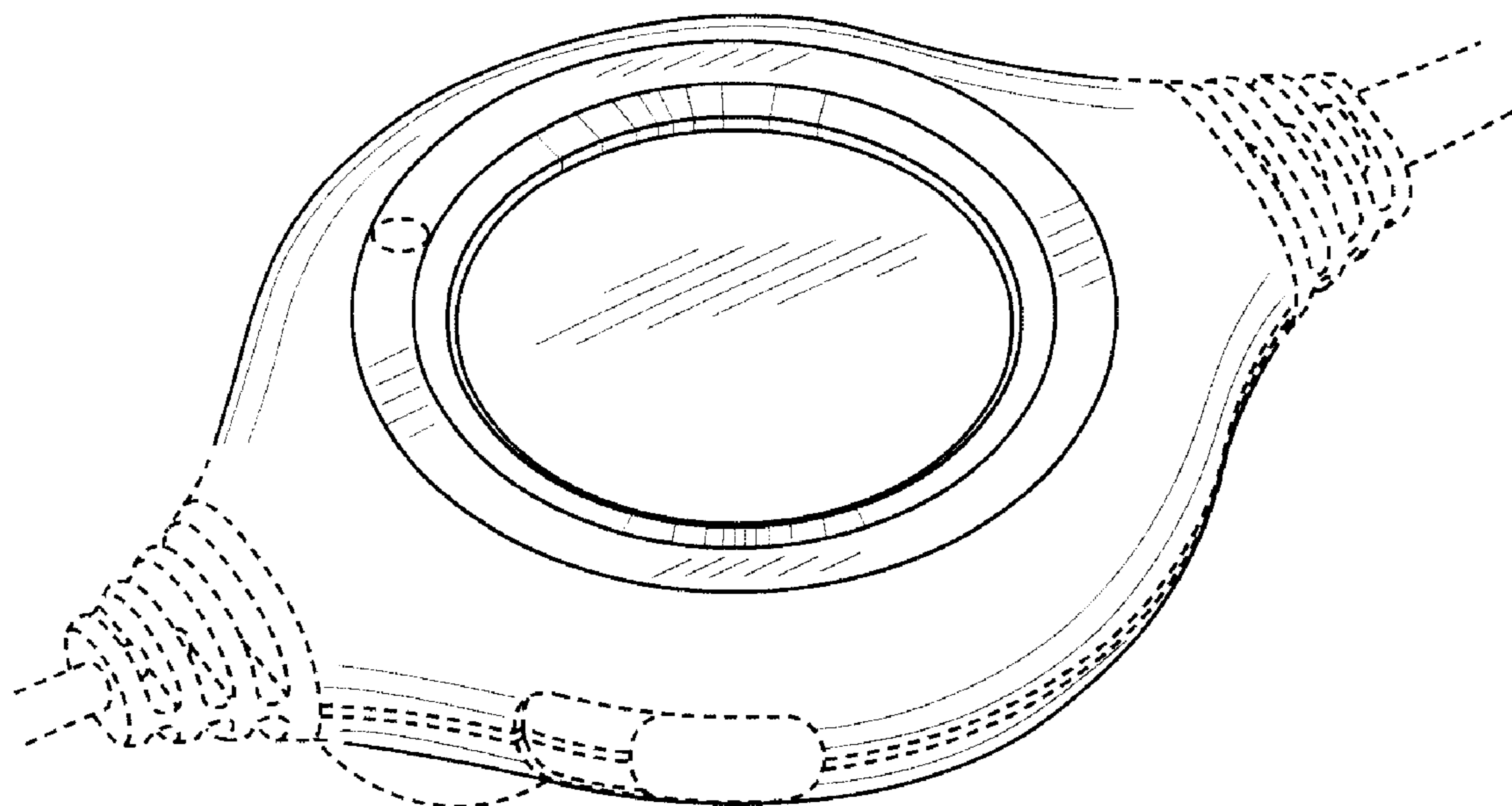
(57) **CLAIM**

We claim the ornamental design for an in-line volume control, as shown and described.

DESCRIPTION

FIG. 1 is a top right perspective view of an in-line volume control showing our new design;
FIG. 2 is a front elevational view thereof;
FIG. 3 is a bottom plan view thereof;
FIG. 4 is a right side elevational view thereof, the left side elevational view being a mirror image thereof;
FIG. 5 is a top plan view thereof; and,
FIG. 6 is a rear elevational view thereof.
The broken lines showing a mounting clip, cables, control switch, seams, and connectors are for illustrative purpose only and form no part of the claimed design.

1 Claim, 1 Drawing Sheet



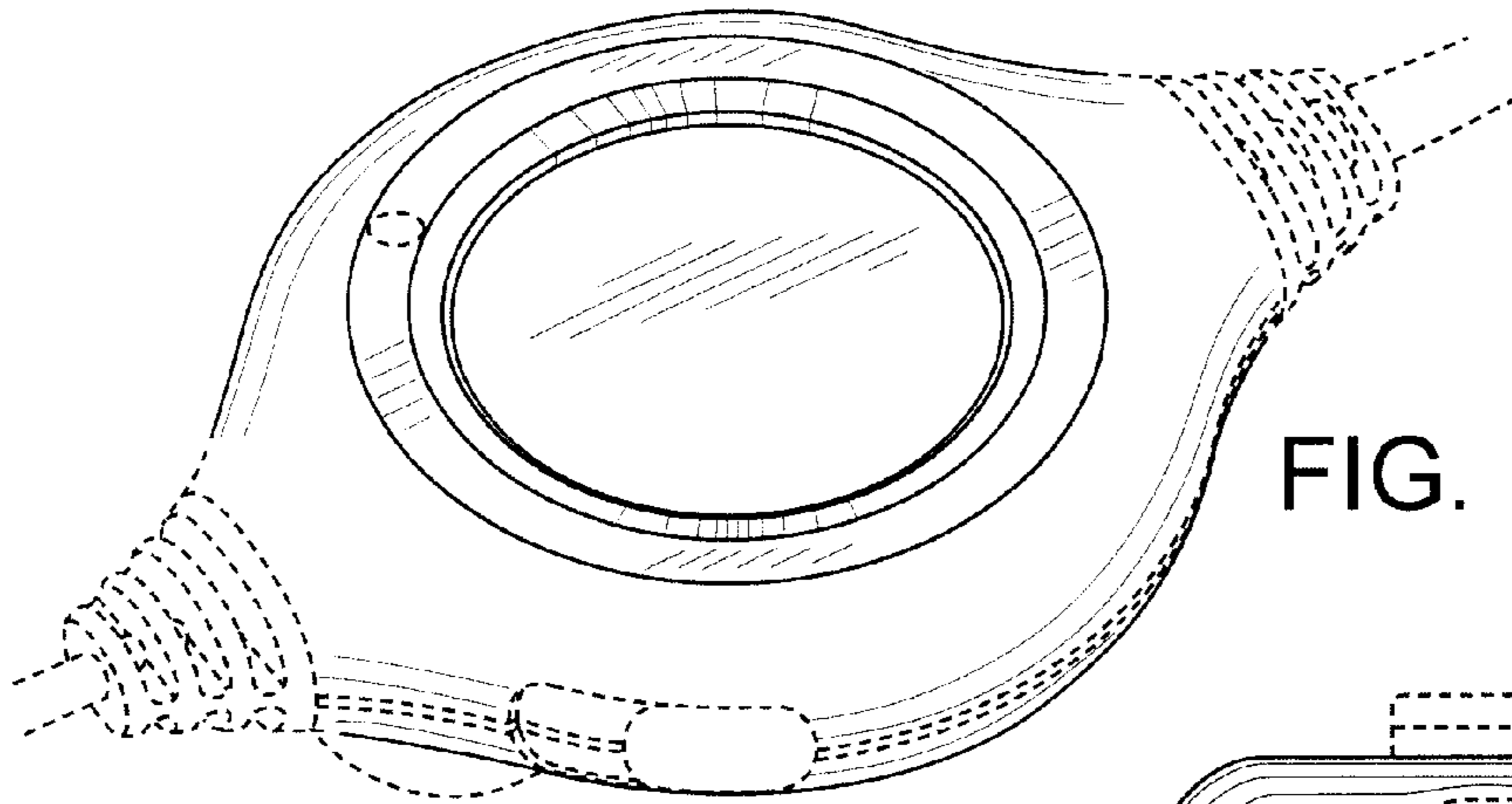


FIG. 1

FIG. 2

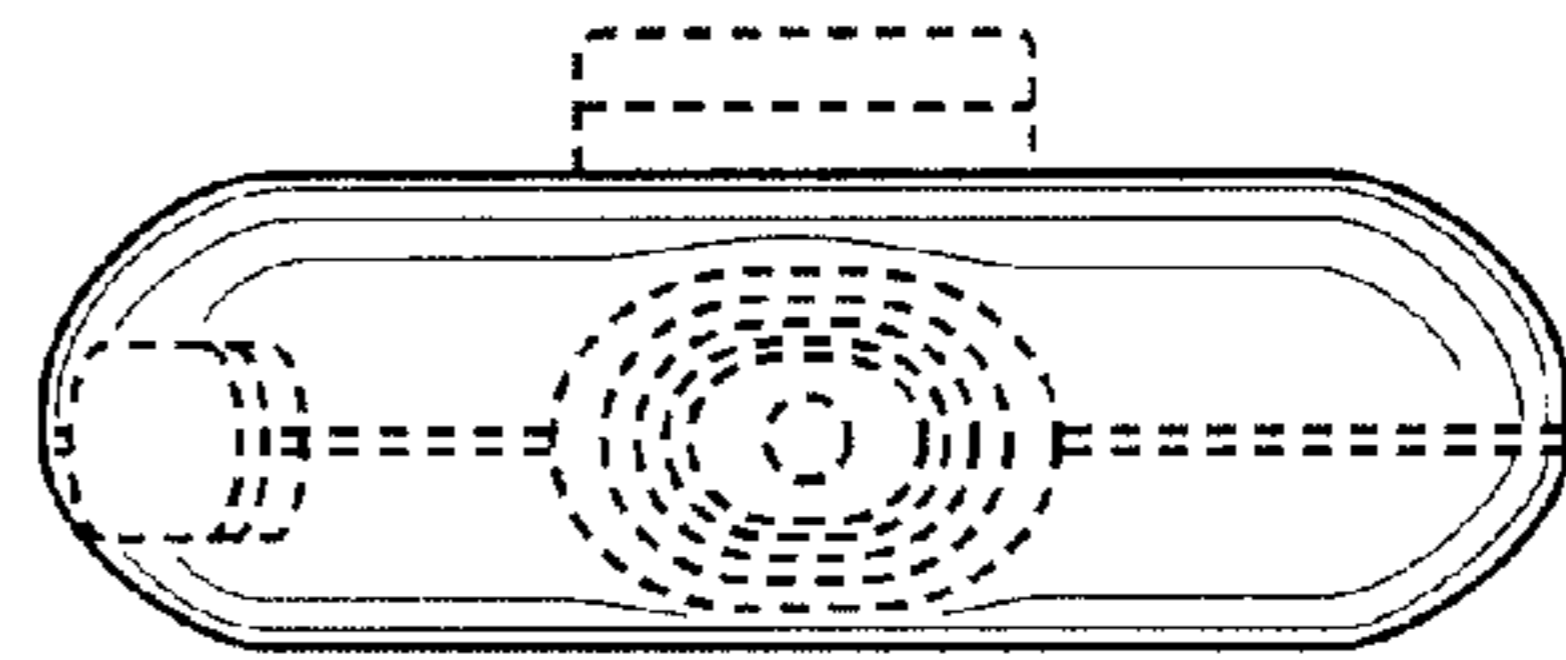


FIG. 3

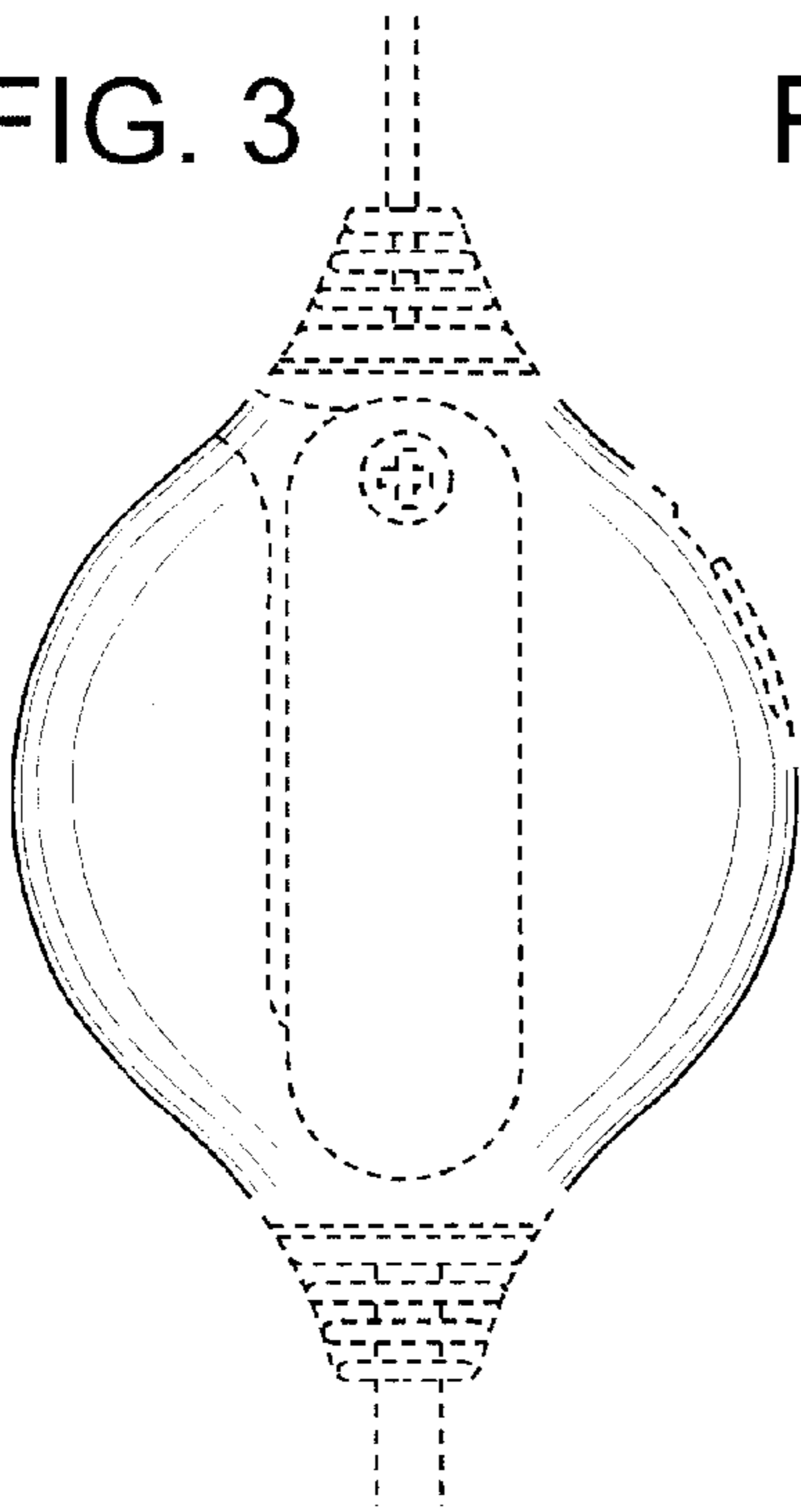


FIG. 4

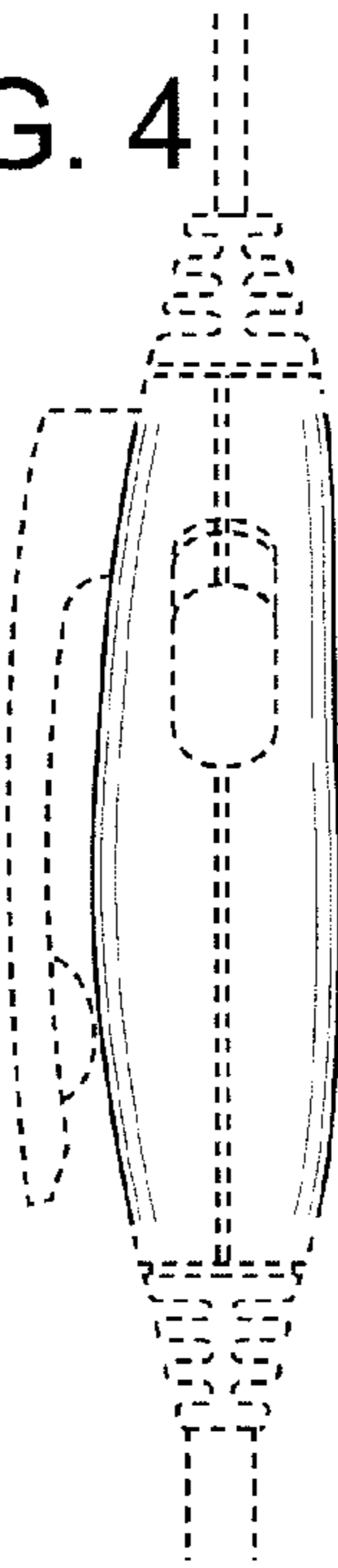


FIG. 5

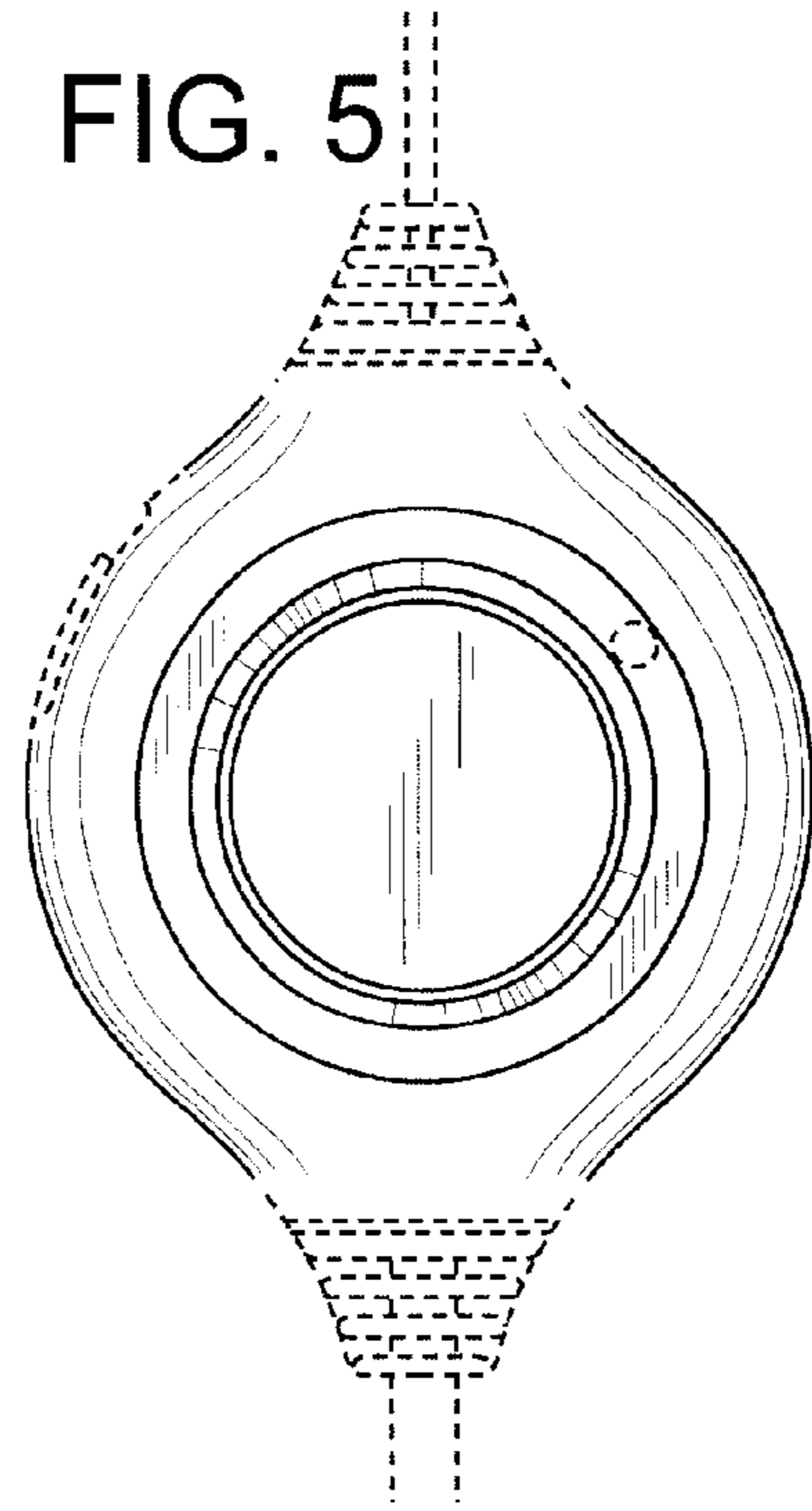


FIG. 6

