

US00D524293S

(12) **United States Design Patent**  
**Takagi**

(10) **Patent No.:** **US D524,293 S**

(45) **Date of Patent:** **\*\* Jul. 4, 2006**

(54) **DISC PLAYER**

(75) Inventor: **Noriaki Takagi**, Tokyo (JP)

(73) Assignee: **Sony Corporation**, Tokyo (JP)

(\*\*) Term: **14 Years**

(21) Appl. No.: **29/205,195**

(22) Filed: **May 12, 2004**

(51) **LOC (8) Cl.** ..... **14-01**

(52) **U.S. Cl.** ..... **D14/217**; D14/156

(58) **Field of Classification Search** ..... D14/135-136,  
D14/156-157, 160-165, 167-168, 192-198,  
D14/217, 496; D4/104, 129, 138; 360/99.02,  
360/99.07; 369/75.11, 75.21, 77.21, 77.11;  
720/612, 619, 647, 655; 455/344, 347-351

See application file for complete search history.

(56) **References Cited**

**U.S. PATENT DOCUMENTS**

3,798,698	A	*	3/1974	Conklin, Jr.	.....	15/167.1
D359,520	S	*	6/1995	Hsu	.....	D21/516
D428,257	S	*	7/2000	Harada	.....	D4/104
D441,736	S	*	5/2001	Yoneda	.....	D14/156
D460,748	S	*	7/2002	Eguchi	.....	D14/192
D462,942	S		9/2002	Murakami		
D467,083	S	*	12/2002	Chen	.....	D4/129
D480,700	S		10/2003	Hirano		
D484,481	S		12/2003	Murakami		
D484,866	S		1/2004	Tanaka		

**OTHER PUBLICATIONS**

Web page "S2 Sports tm CD Walkman, D-SJ301" www.sonystyle.com, 1 sheet, Sony (Mar. 2004).

Web page "XP-ZR810" http://www.yodobashi.com/enjoy/more/i/19203171.html 2 sheets, Yodobashi Camera (Mar. 2004).

Web page "SL-SV550-S" http://www.yodobashi.com/enjoy/more/i/9431562.html 2 sheets, Yodobashi Camera (Mar. 2004).

\* cited by examiner

*Primary Examiner*—Nanda Bondade

(74) *Attorney, Agent, or Firm*—Rader, Fishman & Grauer PLLC

(57) **CLAIM**

The ornamental design for a disc player, as shown and described.

**DESCRIPTION**

FIG. 1 is a perspective view of a first embodiment of a disc player showing my new design;

FIG. 2 is a front elevational view thereof;

FIG. 3 is a left side elevational view thereof;

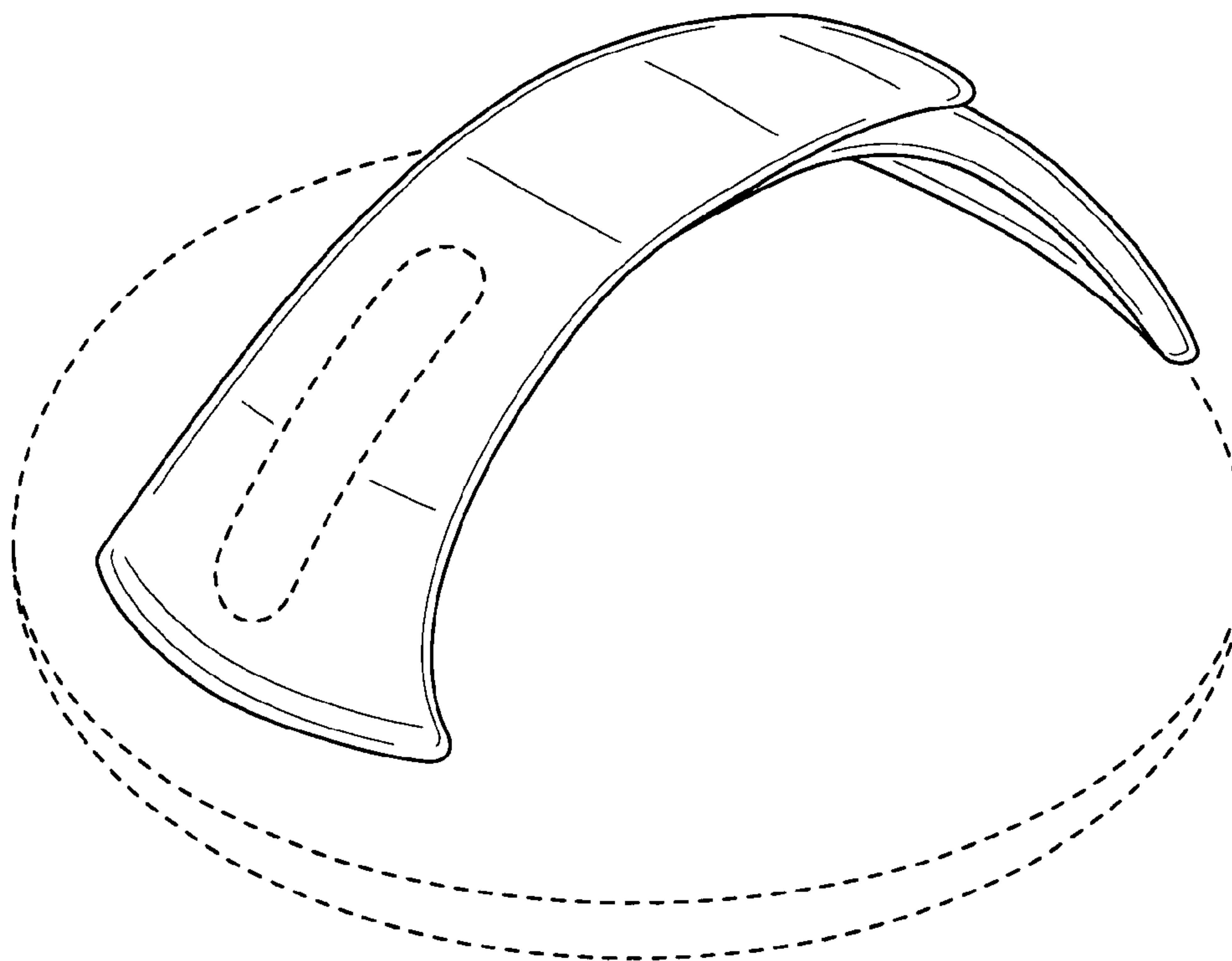
FIG. 4 is a right side elevational view thereof;

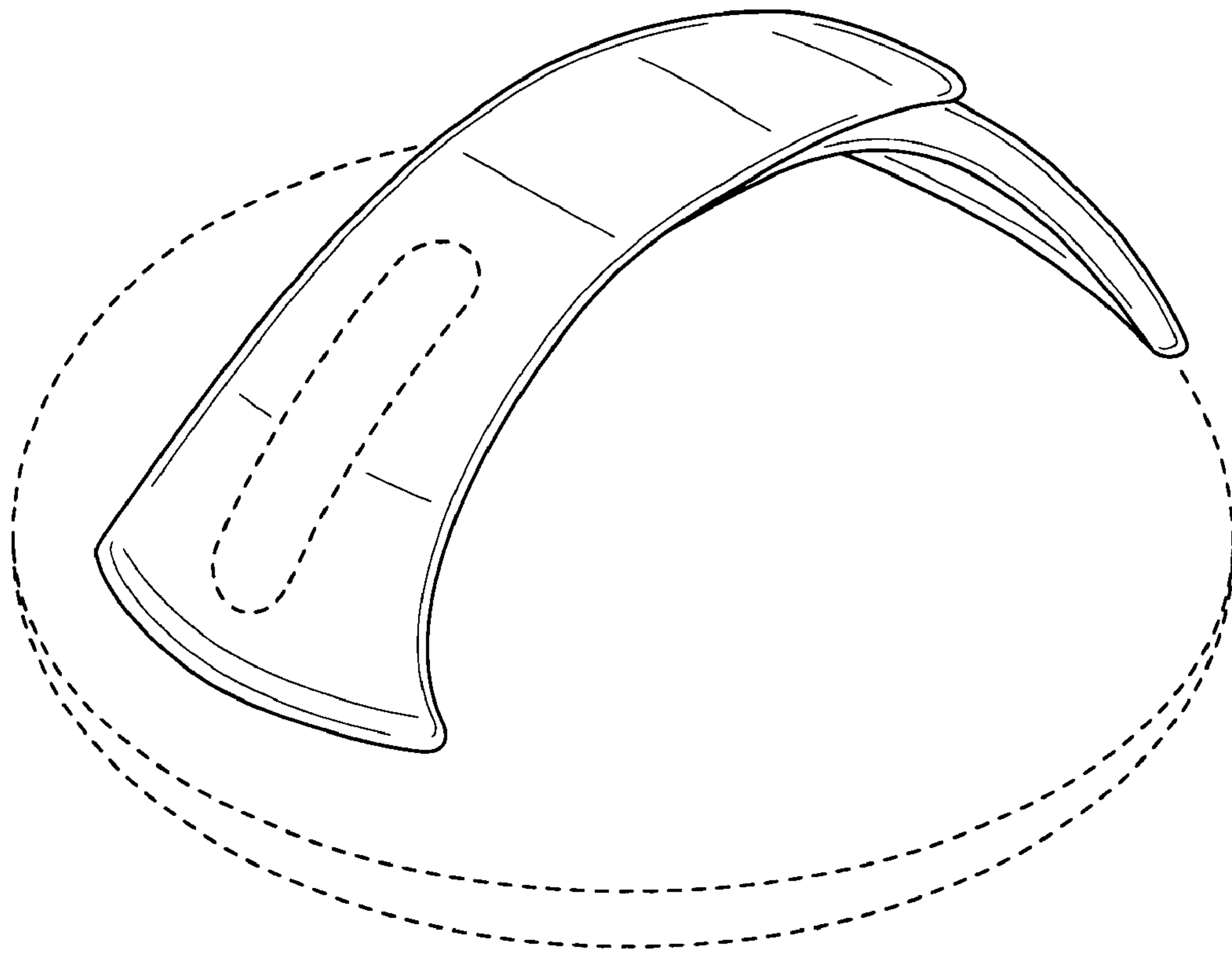
FIG. 5 is a top plan view thereof; and,

FIG. 6 is a bottom plan view thereof.

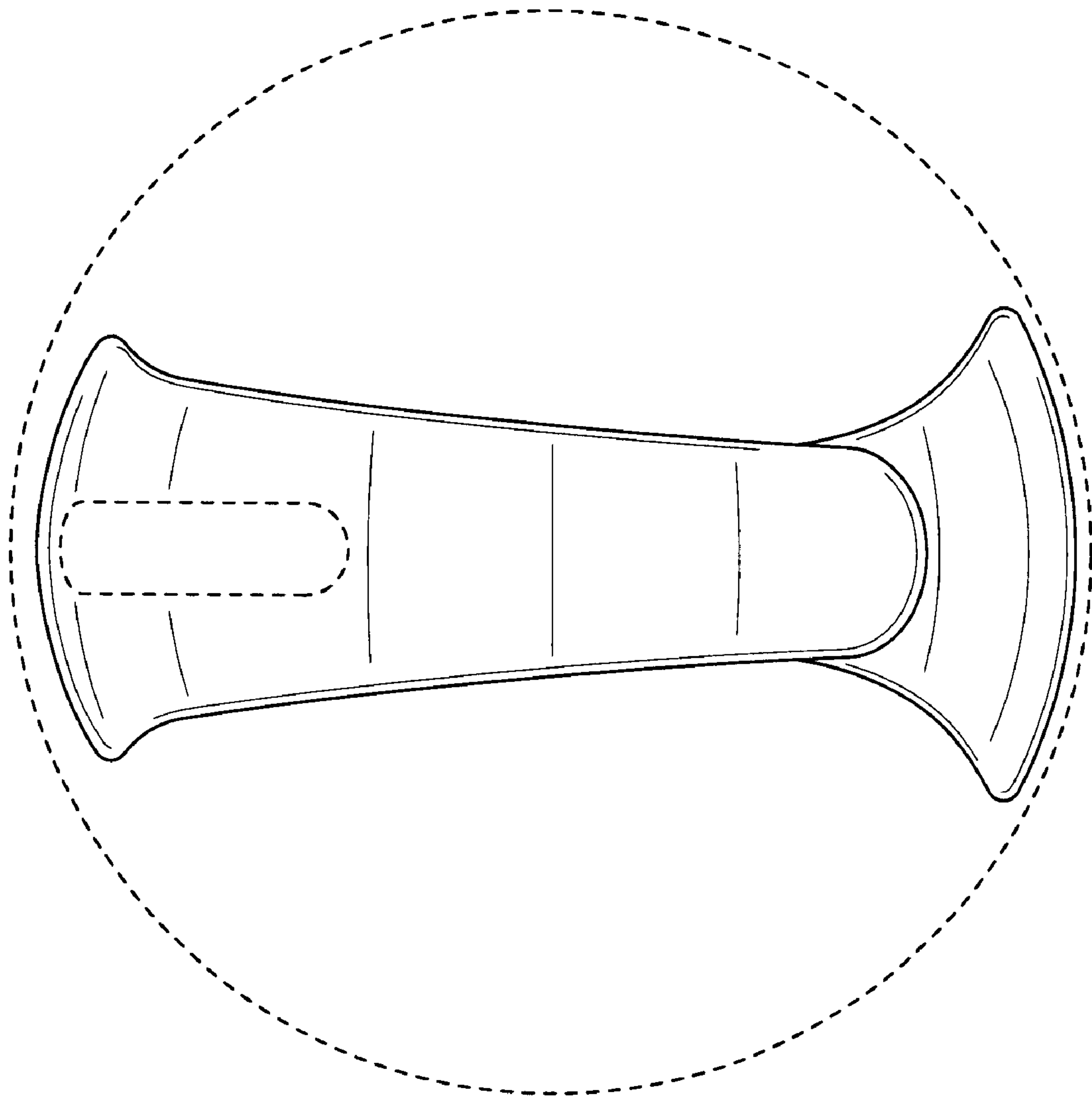
The portions of FIGS. 1-6 that are shown as broken lines are for illustrative purpose only and form no part of claimed design.

**1 Claim, 4 Drawing Sheets**





*FIG. 1*



**FIG. 2**

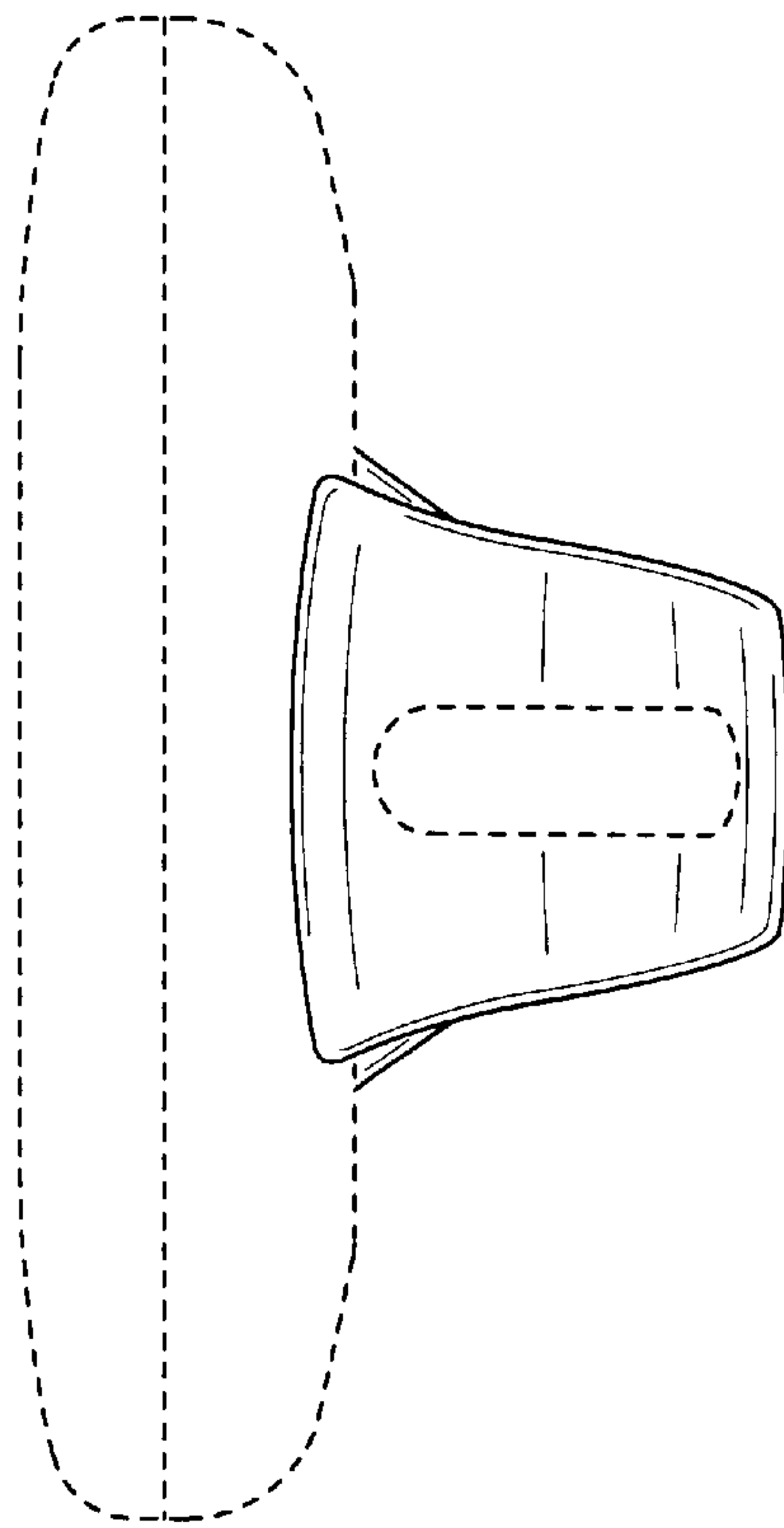


FIG. 3

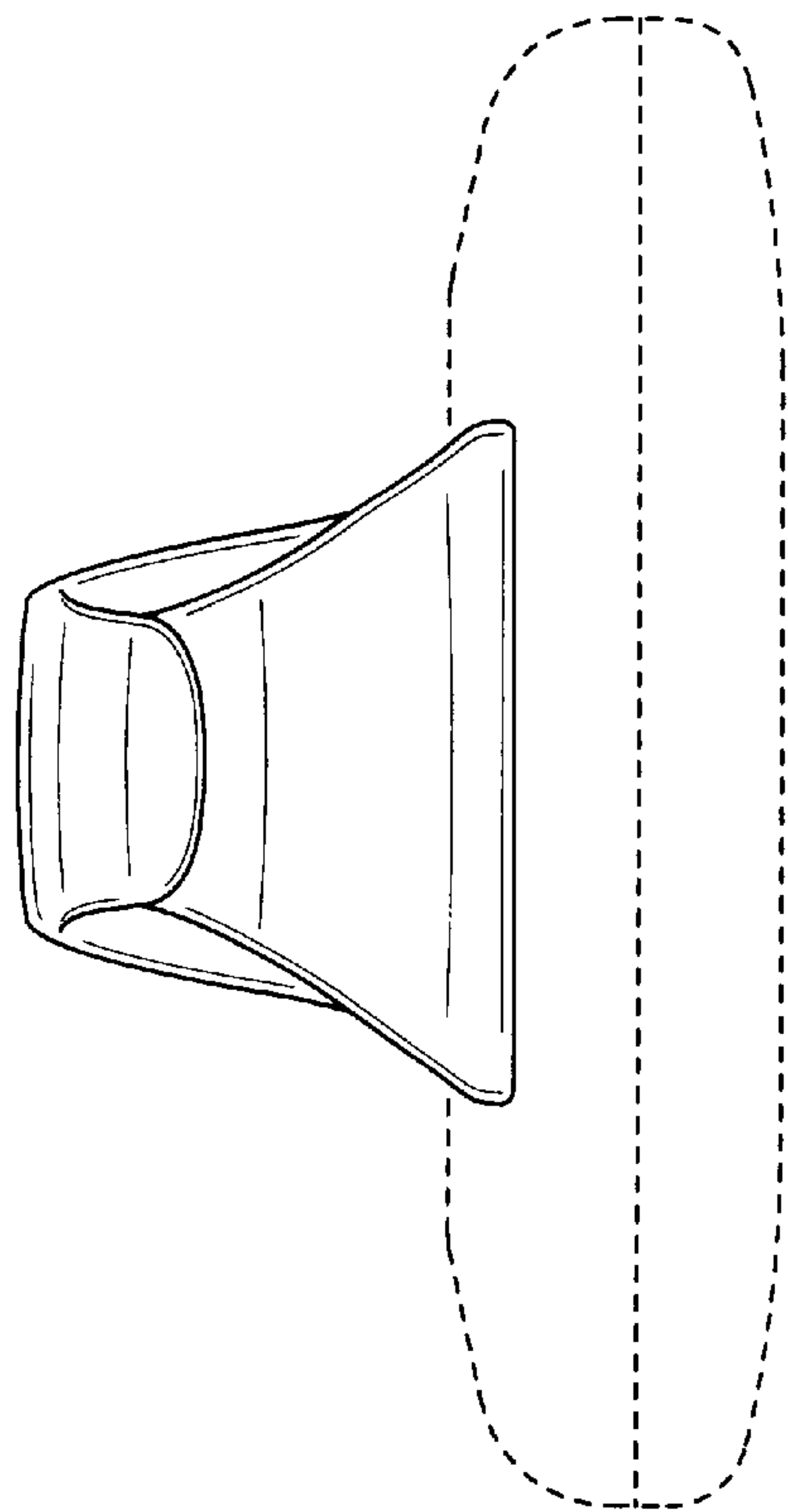
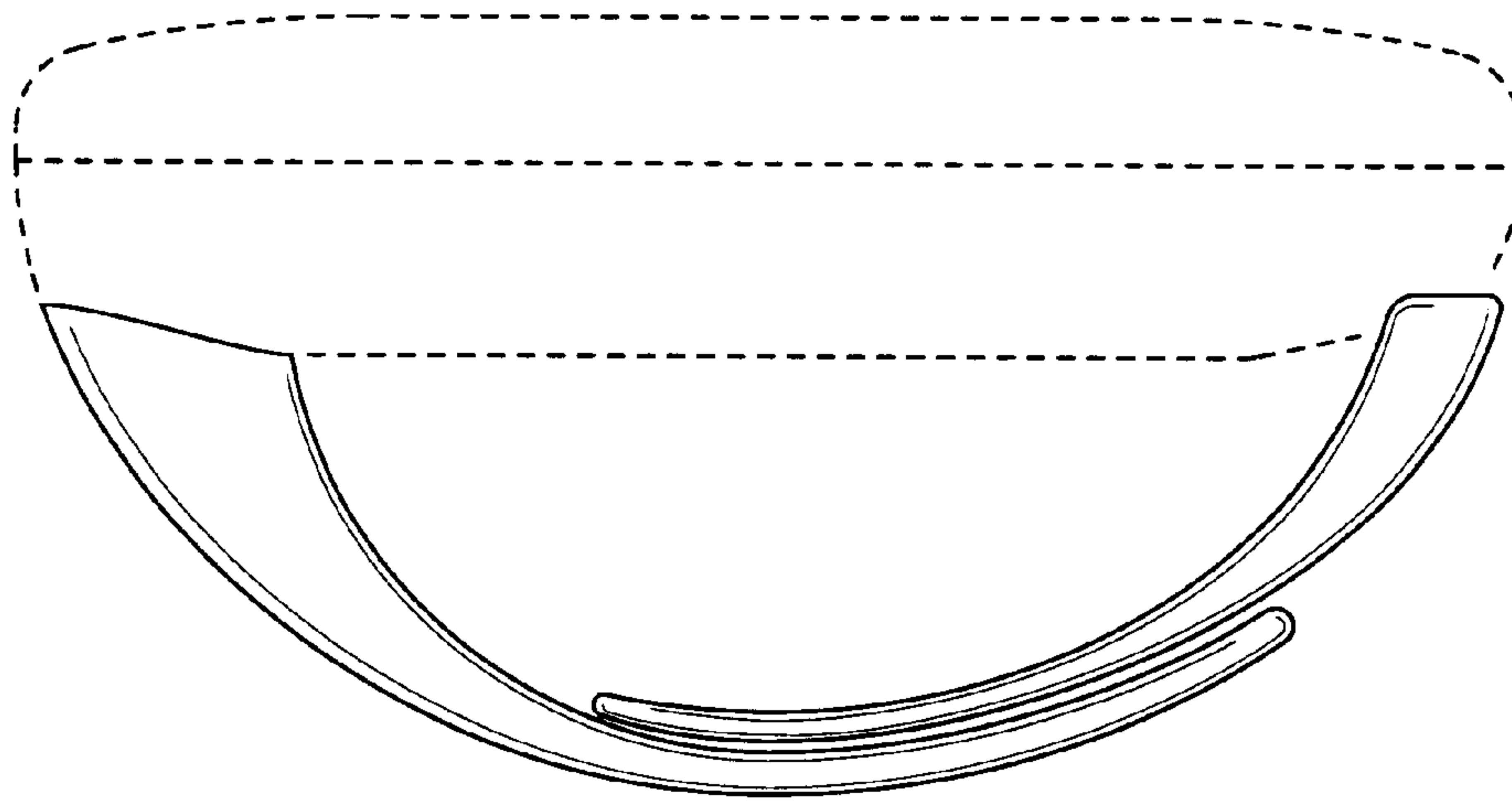
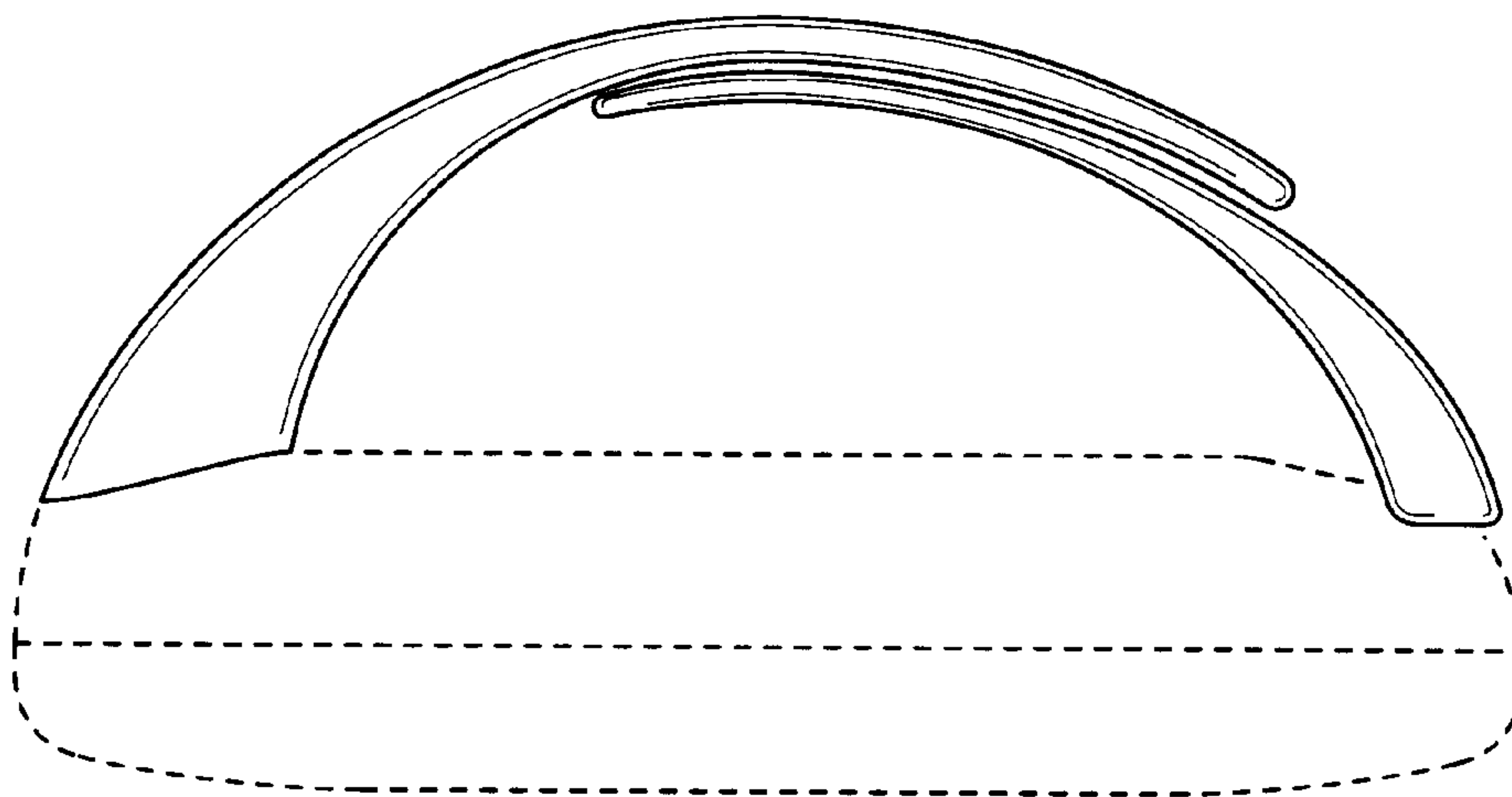


FIG. 4



*FIG. 5*



*FIG. 6*