



US00D524291S

(12) **United States Design Patent**
Tsang

(10) **Patent No.:** **US D524,291 S**

(45) **Date of Patent:** **** Jul. 4, 2006**

(54) **SPEAKER VOLUME CONTROL**
(75) Inventor: **Kwong Chit Tsang**, Hong Kong (HK)
(73) Assignee: **Beans Electronics Ltd.** (HK)
(**) Term: **14 Years**

D449,036 S * 10/2001 Weikel et al. D14/215
D484,492 S * 12/2003 Welker et al. D14/216
D485,825 S * 1/2004 Yoneda D14/215

* cited by examiner

Primary Examiner—Nanda Bondade
(74) *Attorney, Agent, or Firm*—Merchant & Gould P.C.

(21) Appl. No.: **29/213,373**
(22) Filed: **Sep. 15, 2004**

(57) **CLAIM**

The ornamental design for a speaker volume control, as shown and described.

(51) **LOC (8) Cl.** **14-01**
(52) **U.S. Cl.** **D14/216**
(58) **Field of Classification Search** D14/204,
D14/207, 209–216, 356, 168, 172, 217, 221;
181/143–144, 147–148, 150, 157, 198–199,
181/151, 153; 381/300–302, 306, 333, 345,
381/361–364, 386–388, 332, 336
See application file for complete search history.

DESCRIPTION

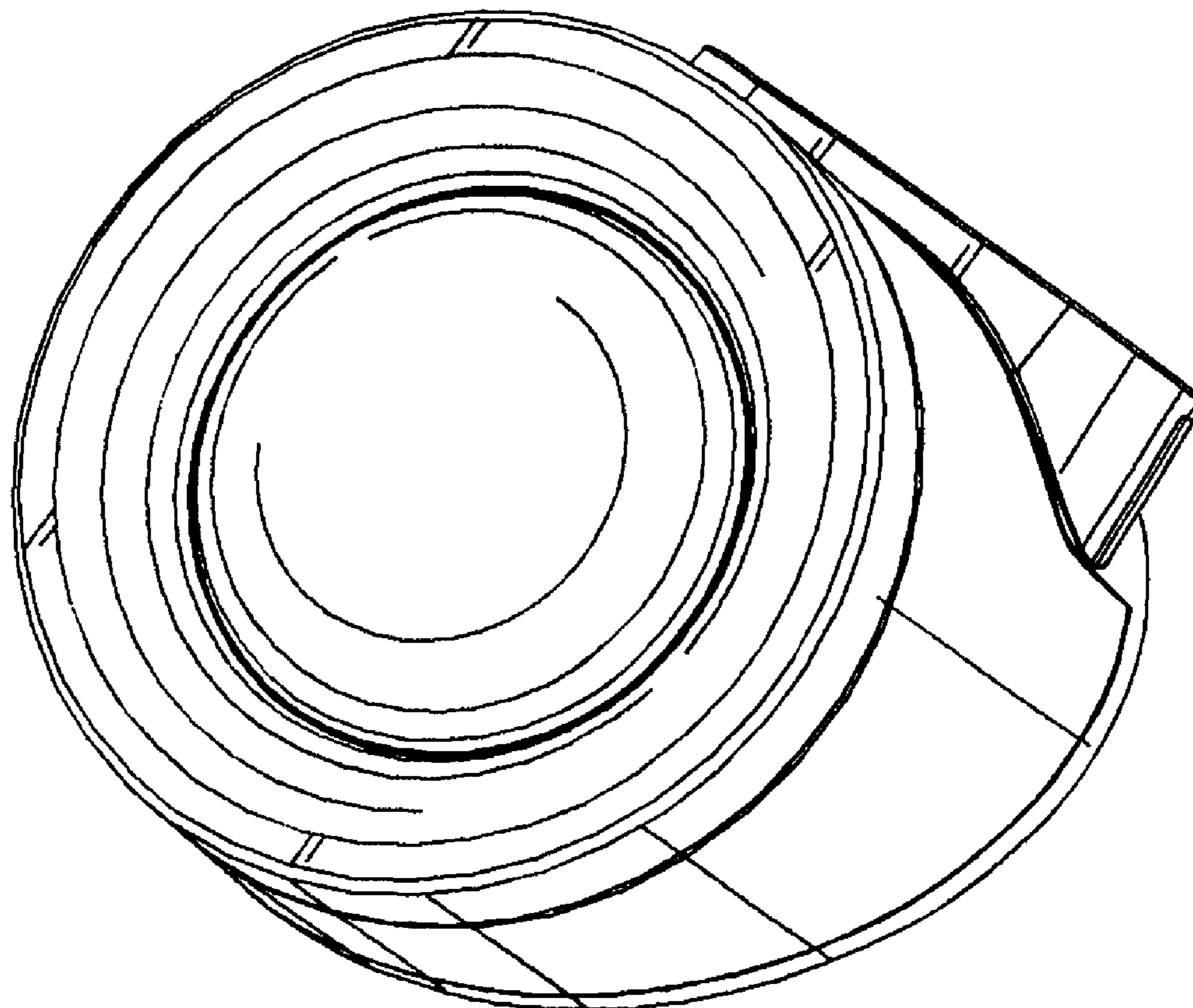
FIG. 1 is a front view of a speaker volume control showing my new design;
FIG. 2 is a top view thereof;
FIG. 3 is a bottom view thereof;
FIG. 4 is a left side view thereof;
FIG. 5 is a right side view thereof;
FIG. 6 is a back view thereof; and,
FIG. 7 is a perspective view thereof.

(56) **References Cited**

U.S. PATENT DOCUMENTS

D362,442 S * 9/1995 Goldfarb D14/216

1 Claim, 2 Drawing Sheets



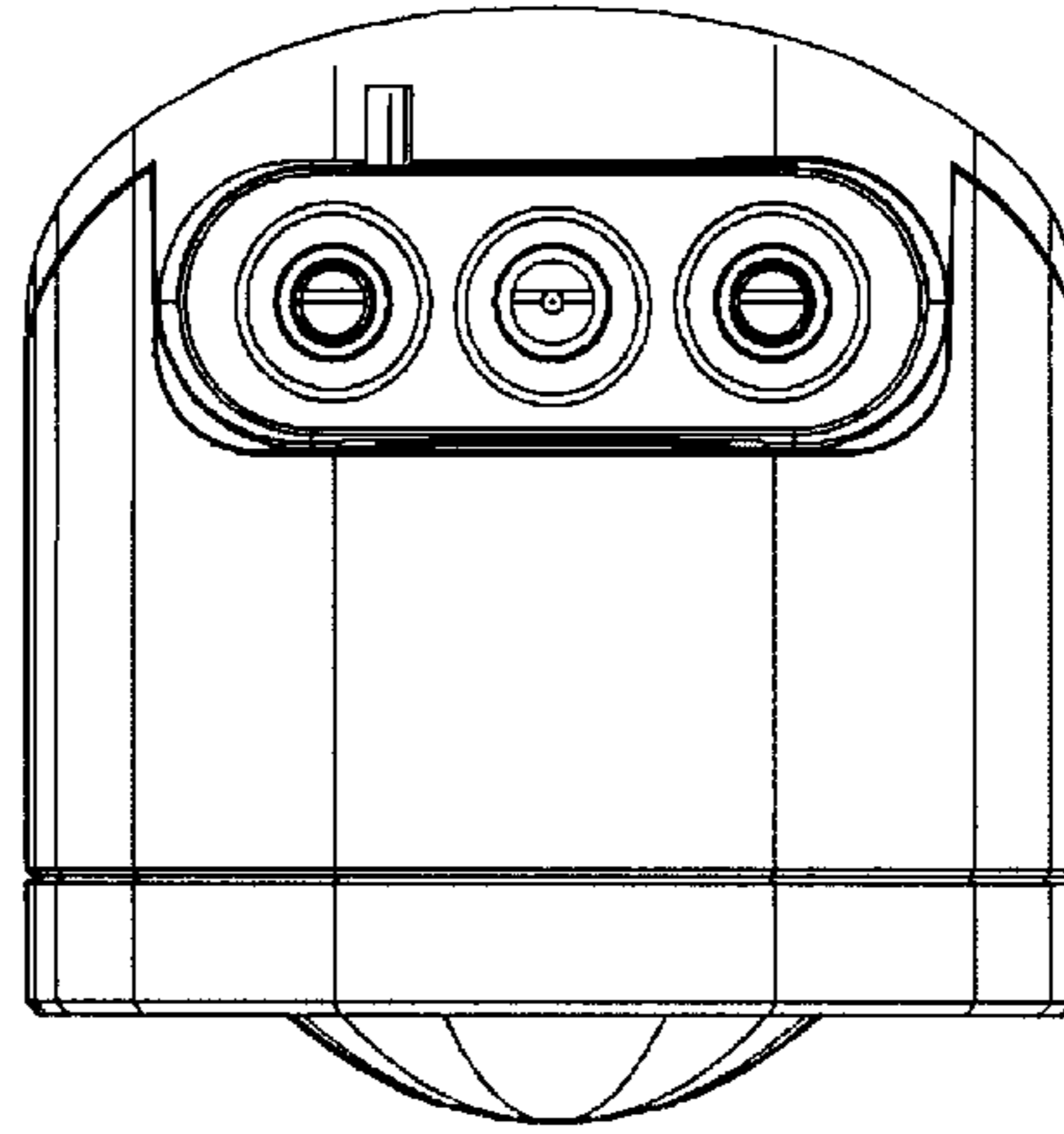


FIG. 2

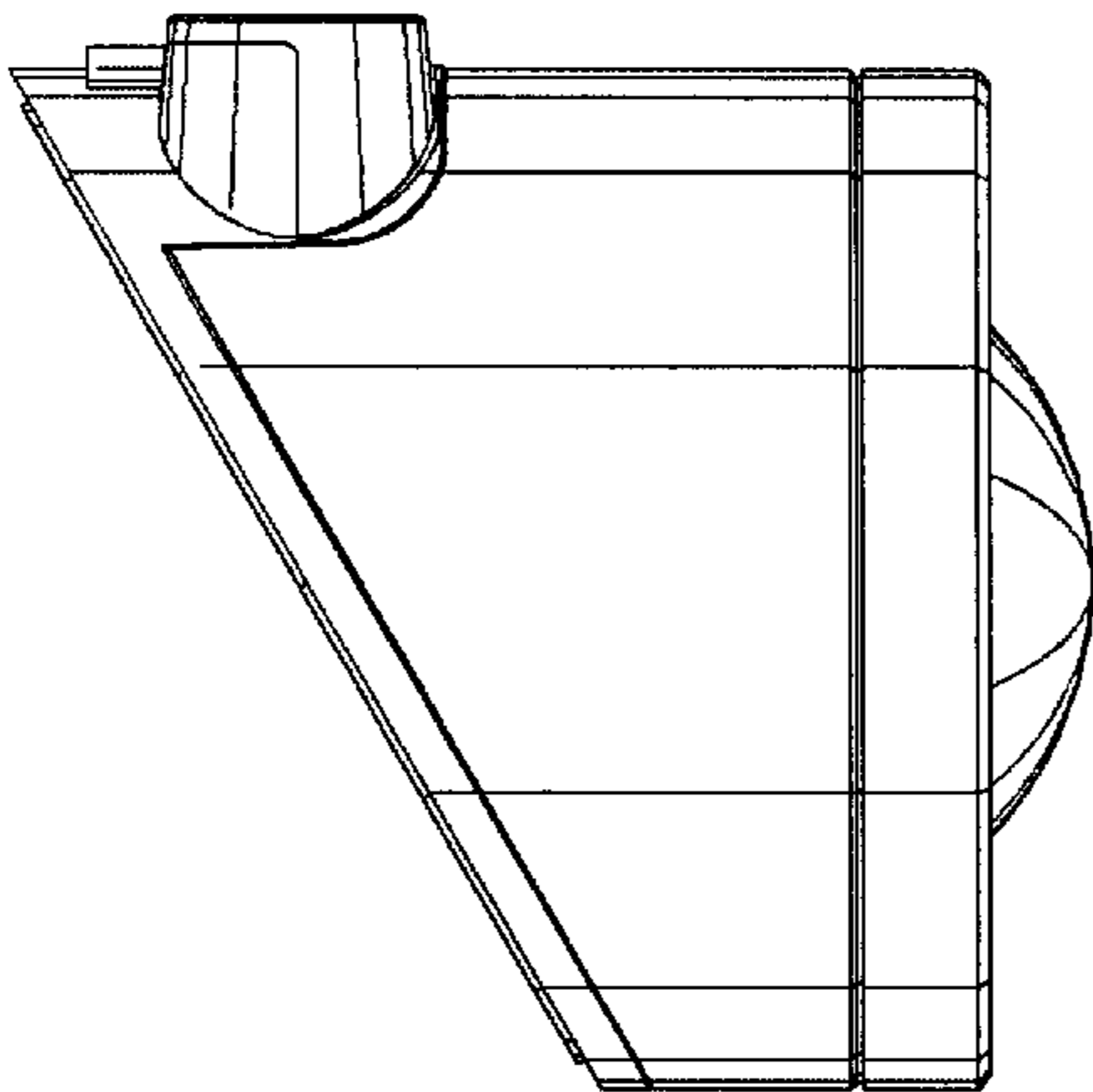


FIG. 4

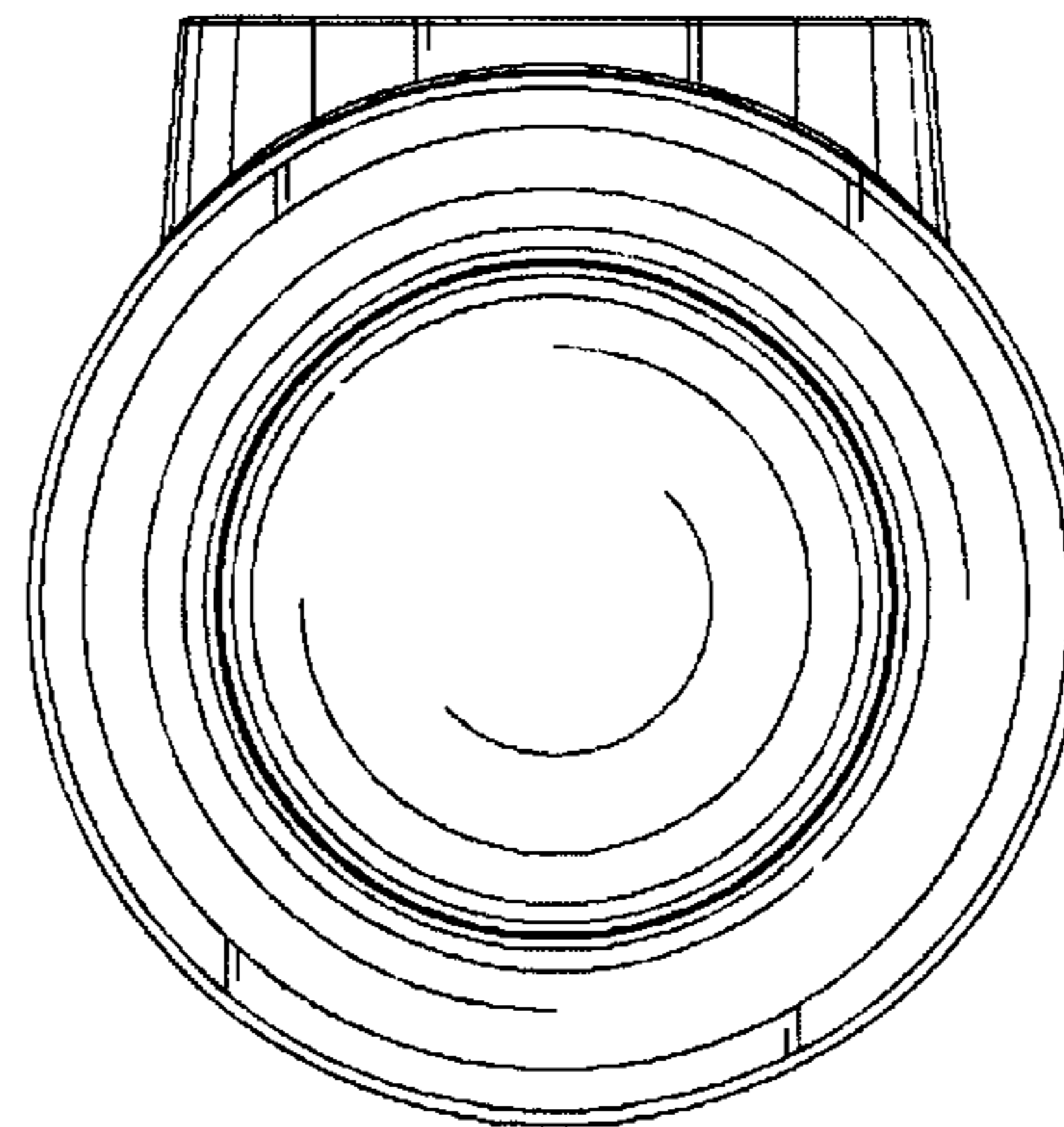


FIG. 1

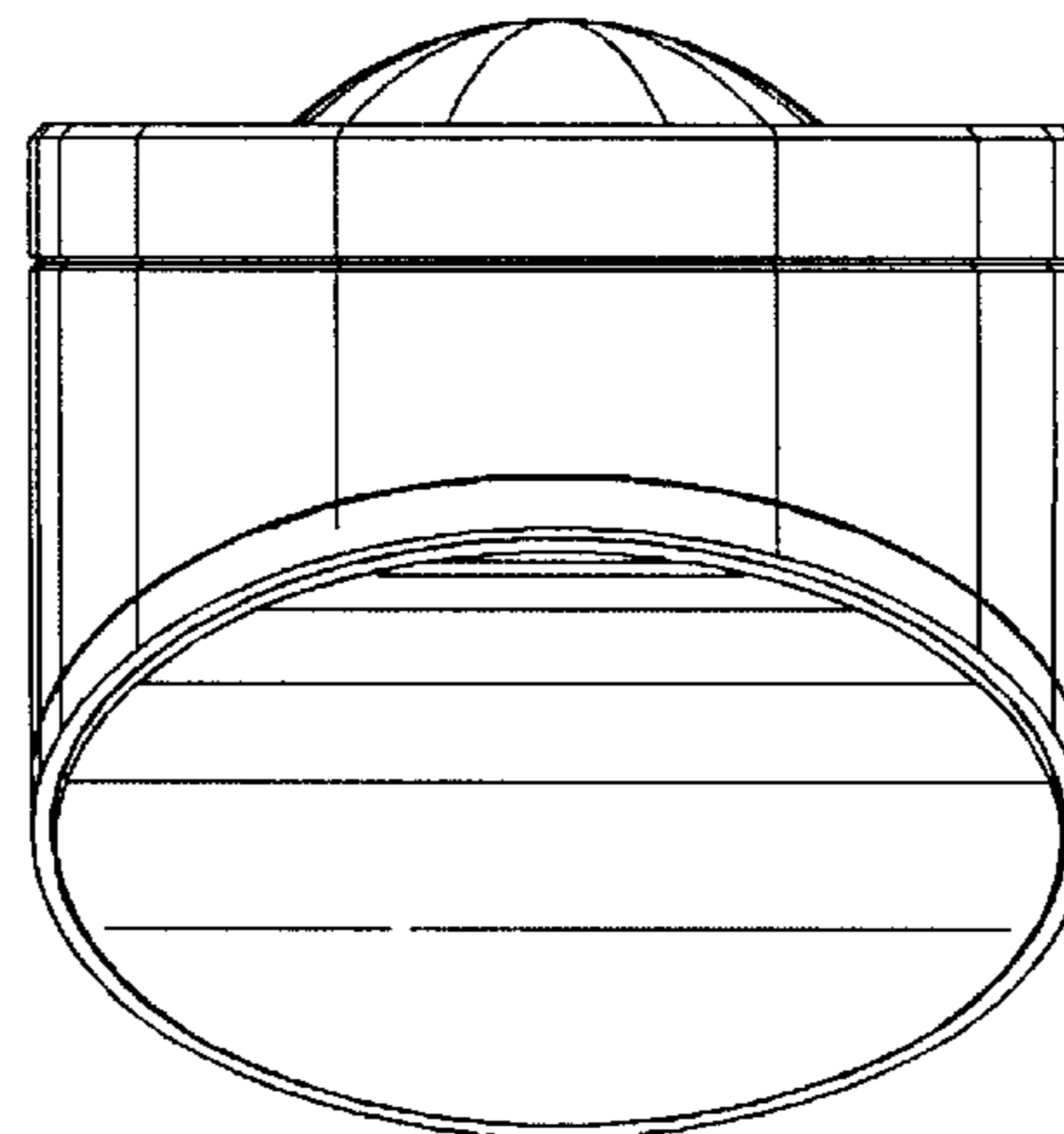


FIG. 3

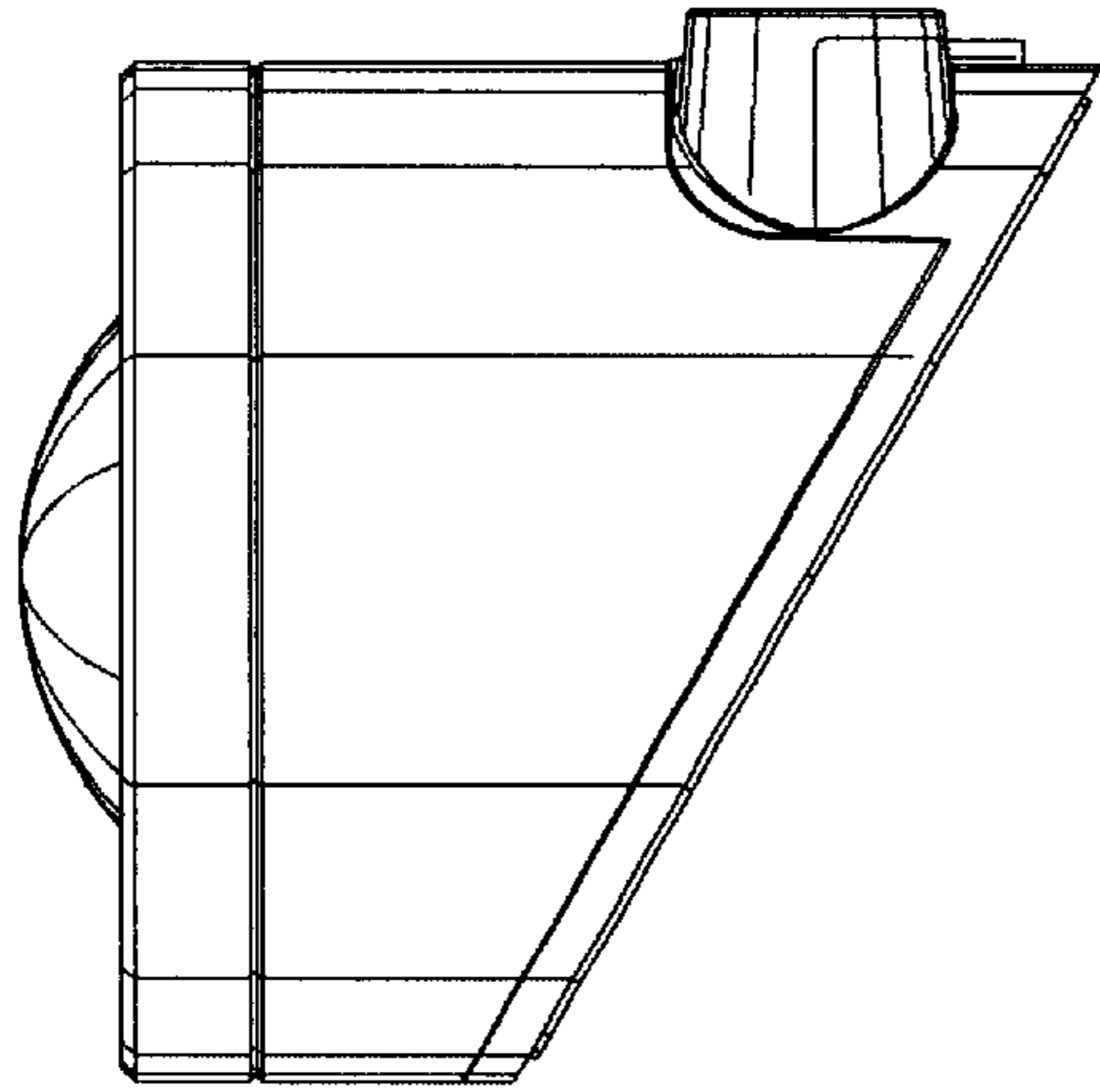


FIG. 5

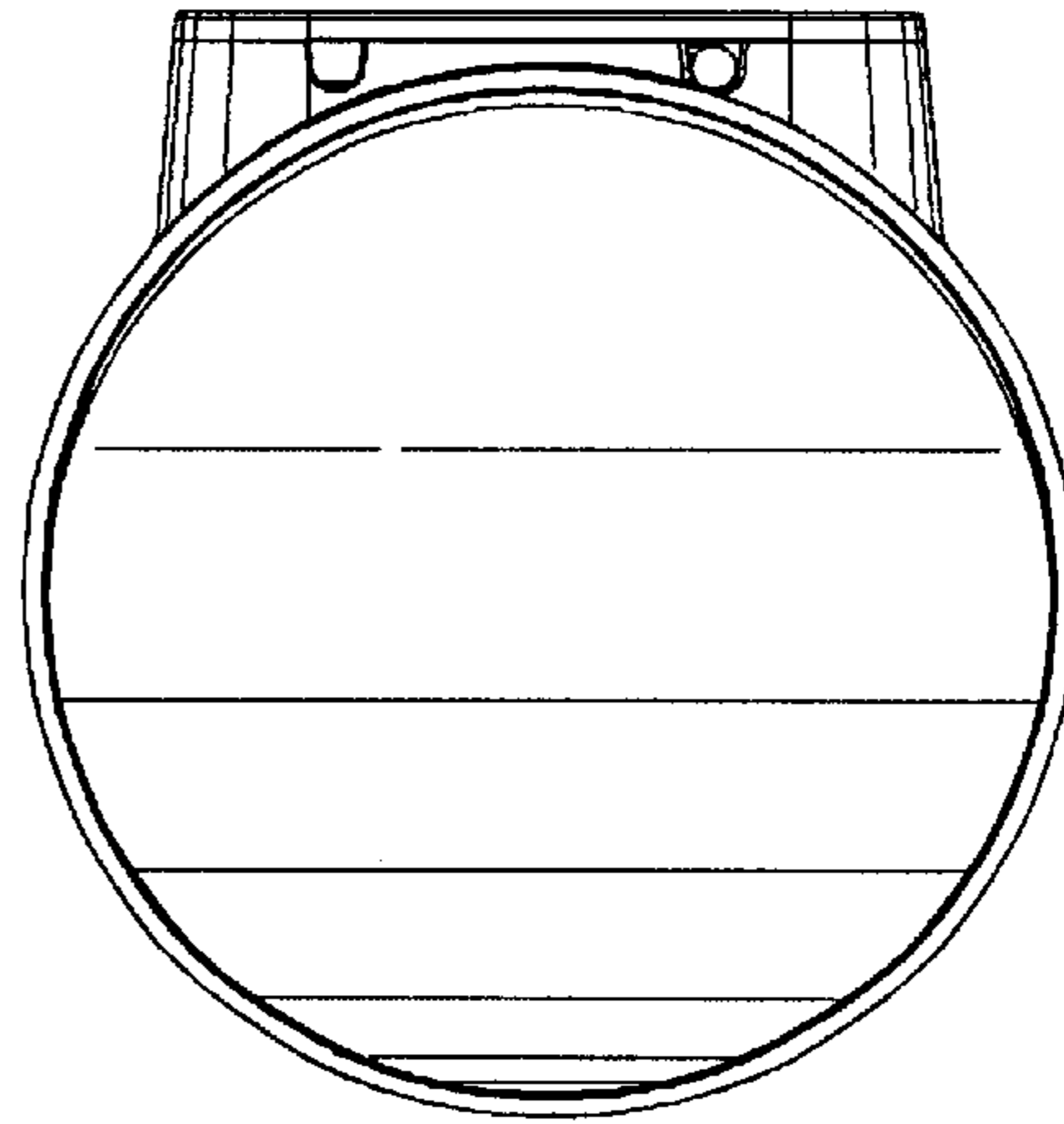


FIG. 6

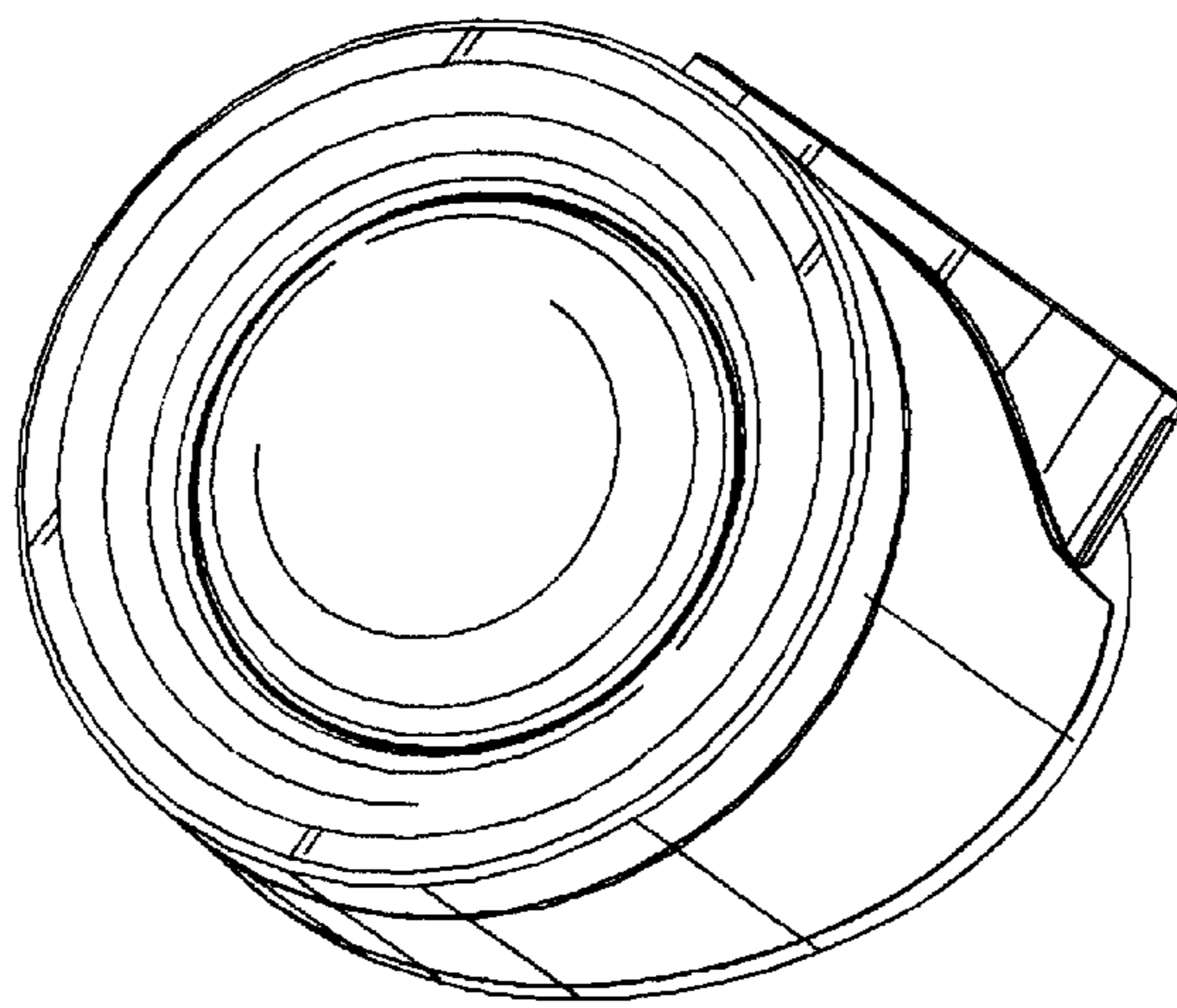


FIG. 7