

US00D524290S

(12) **United States Design Patent**  
**Amada et al.**

(10) **Patent No.:** **US D524,290 S**

(45) **Date of Patent:** **\*\* Jul. 4, 2006**

(54) **SPEAKER FOR AN AUTOMOBILE**

(75) Inventors: **Hiroyuki Amada**, Matsusaka (JP);  
**Shinsaku Sawa**, Matsusaka (JP)

(73) Assignee: **Matsushita Electric Industrial Co., Ltd.**, Osaka (JP)

(\*\*) Term: **14 Years**

(21) Appl. No.: **29/225,385**

(22) Filed: **Mar. 15, 2005**

(30) **Foreign Application Priority Data**

Sep. 16, 2004 (JP) ..... 2004-028139

(51) **LOC (8) Cl.** ..... **14-01**

(52) **U.S. Cl.** ..... **D14/204**

(58) **Field of Classification Search** ..... D14/204,  
D14/207, 209-217, 221-222, 257-258, 260,  
D14/157, 172, 299, 356, 496; 181/143-144,  
181/147-148, 150, 157, 198-199, 153; 381/300-302,  
381/306, 333, 345, 361-364, 332, 336, 380  
See application file for complete search history.

(56) **References Cited**

**U.S. PATENT DOCUMENTS**

D346,808 S \* 5/1994 Inoue et al. .... D14/260

5,319,163 A \* 6/1994 Scott ..... 381/380  
5,644,109 A \* 7/1997 Newman ..... 181/153  
D425,898 S \* 5/2000 Iwaasa et al. .... D14/217  
D504,415 S \* 4/2005 Lum ..... D14/216

\* cited by examiner

*Primary Examiner*—Nanda Bondade

(74) *Attorney, Agent, or Firm*—Brinks Hofer Gilson & Lione

(57) **CLAIM**

We claim the ornamental design for a speaker for an automobile, as shown and described.

**DESCRIPTION**

FIG. 1 is a top perspective view of a speaker for an automobile of the present invention;  
FIG. 2 is a bottom perspective view thereof;  
FIG. 3 is a top view thereof;  
FIG. 4 is a first side view thereof;  
FIG. 5 is a second side view thereof;  
FIG. 6 is a third side view thereof;  
FIG. 7 is a fourth side view thereof; and,  
FIG. 8 is a bottom view thereof.

**1 Claim, 4 Drawing Sheets**

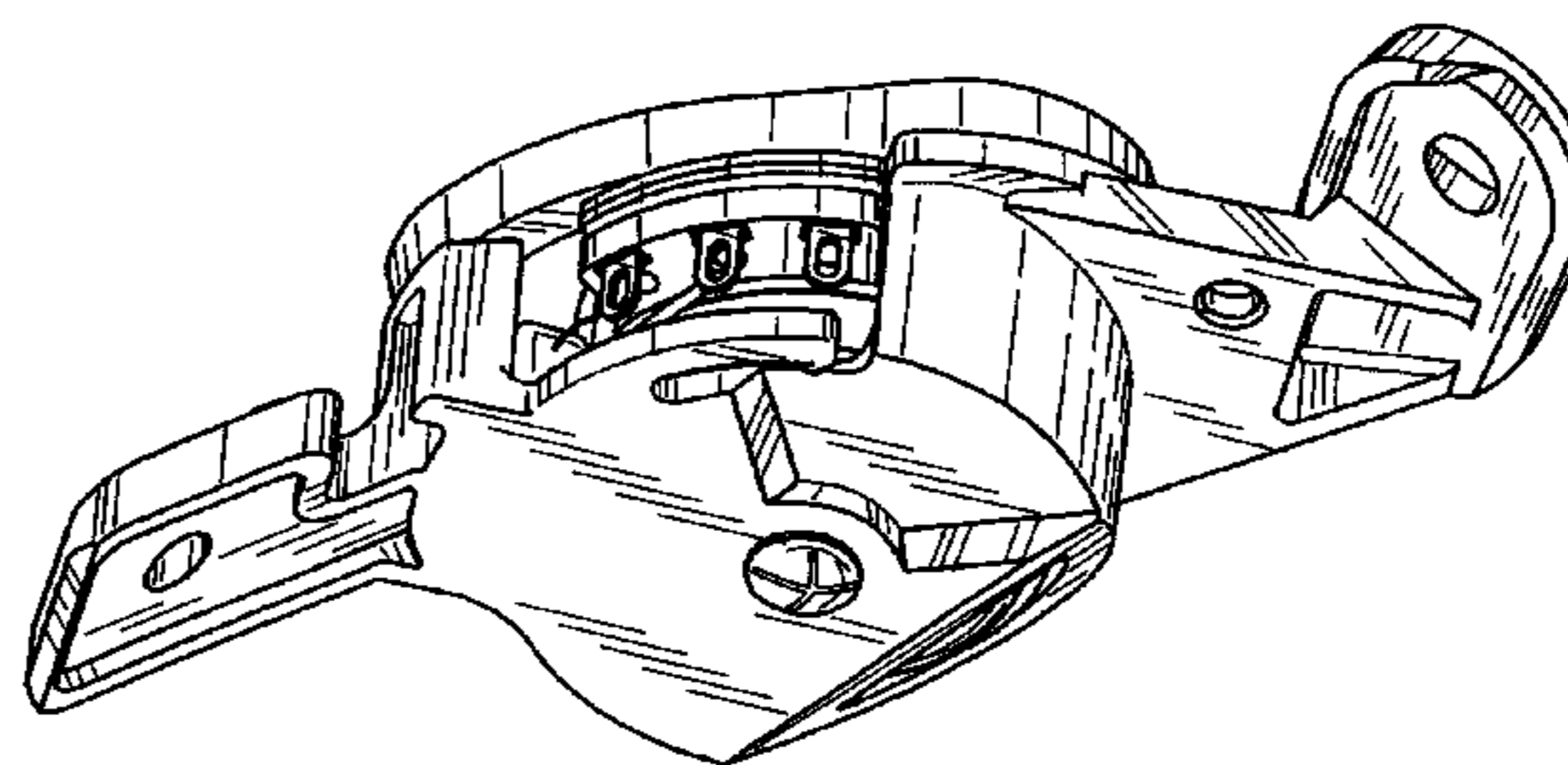
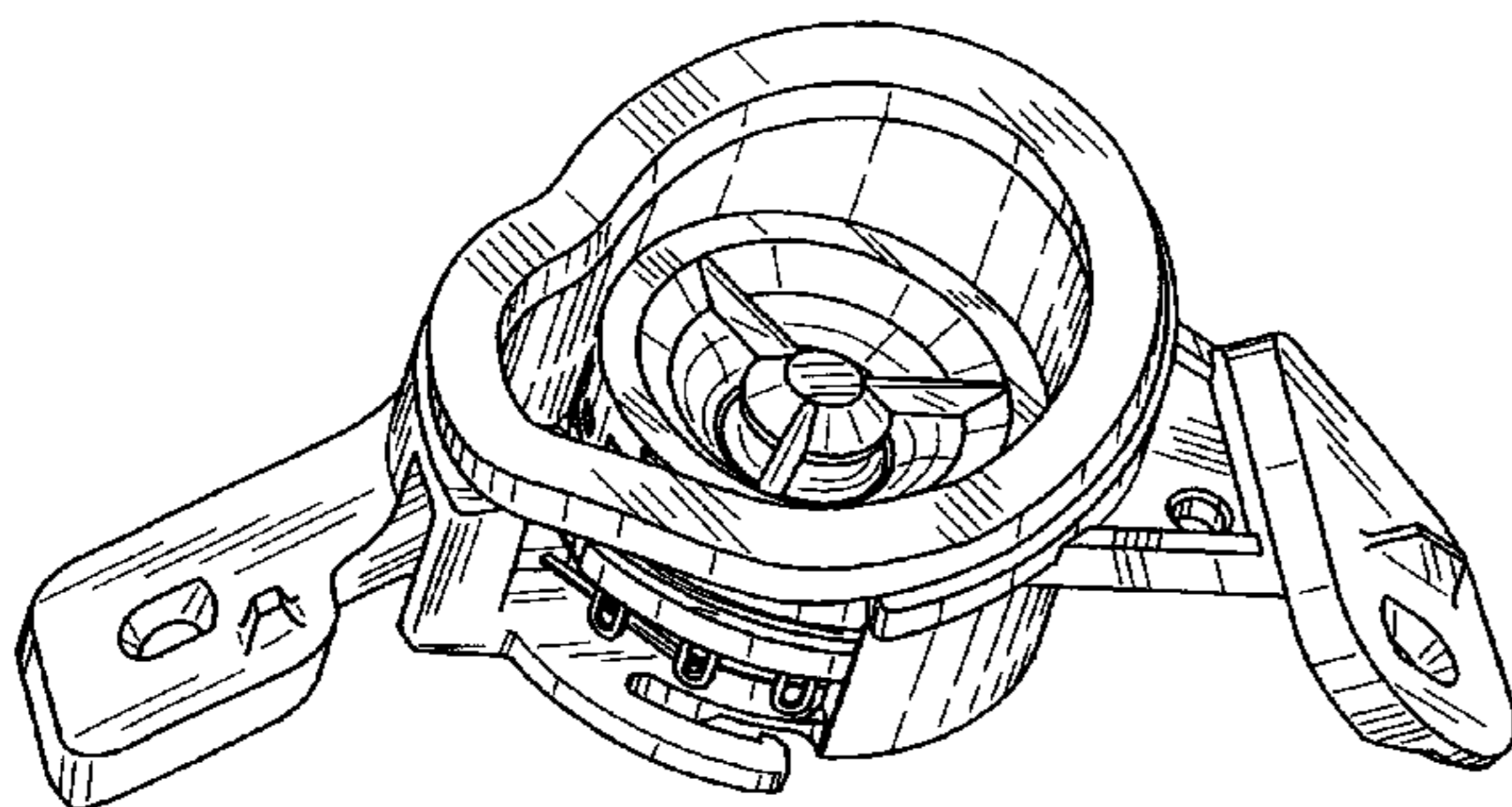


FIG.1

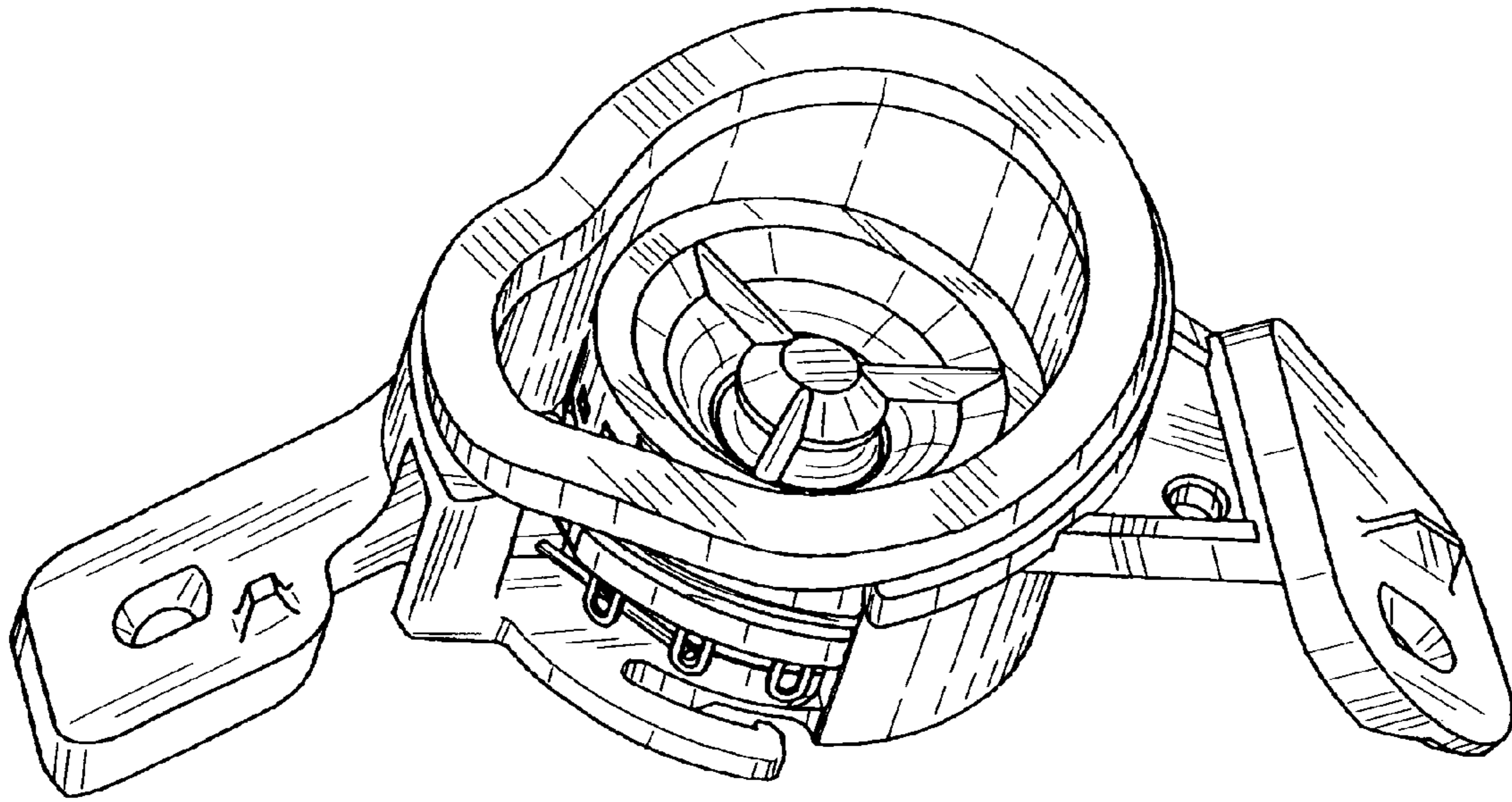


FIG.2

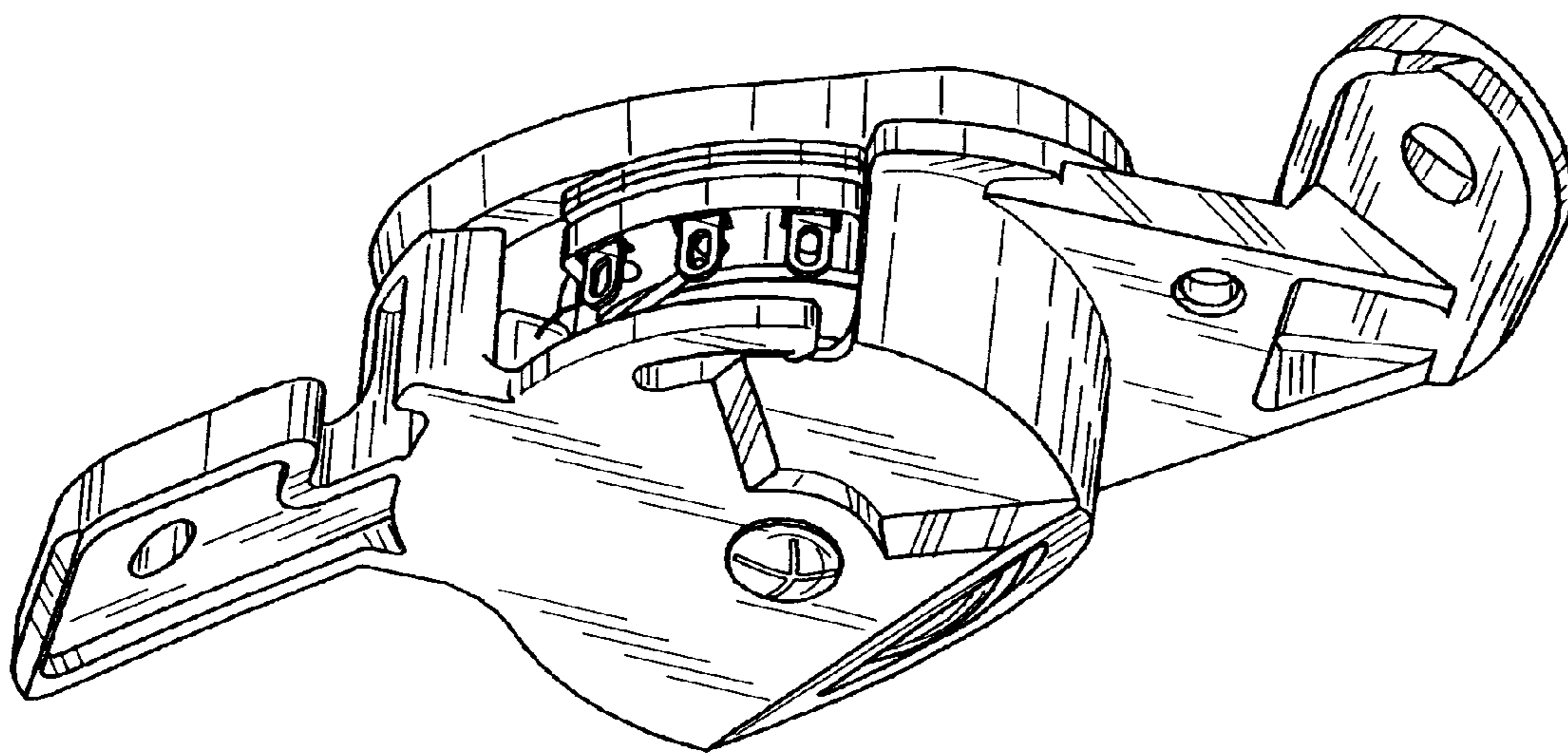


FIG.3

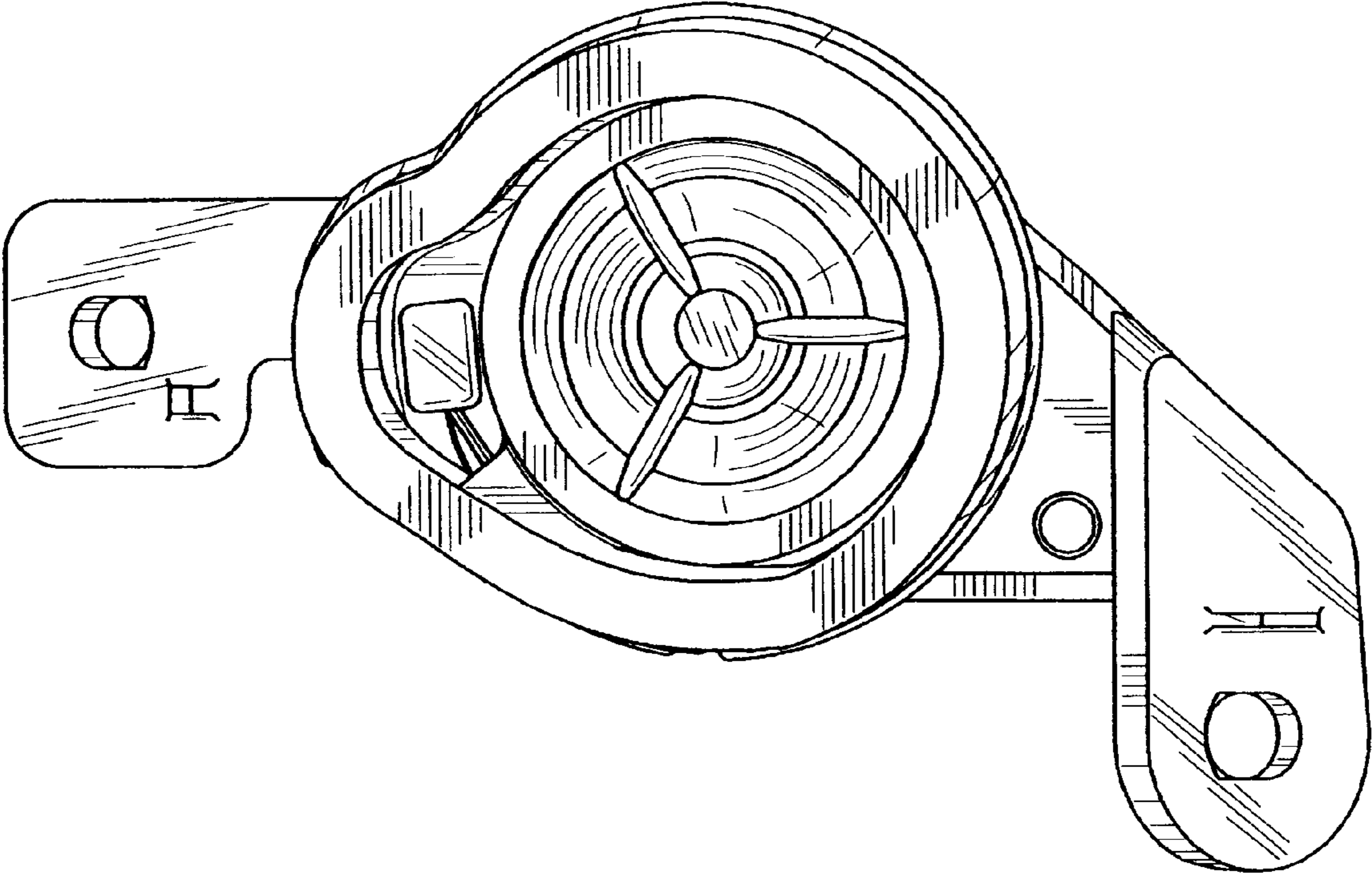


FIG.4

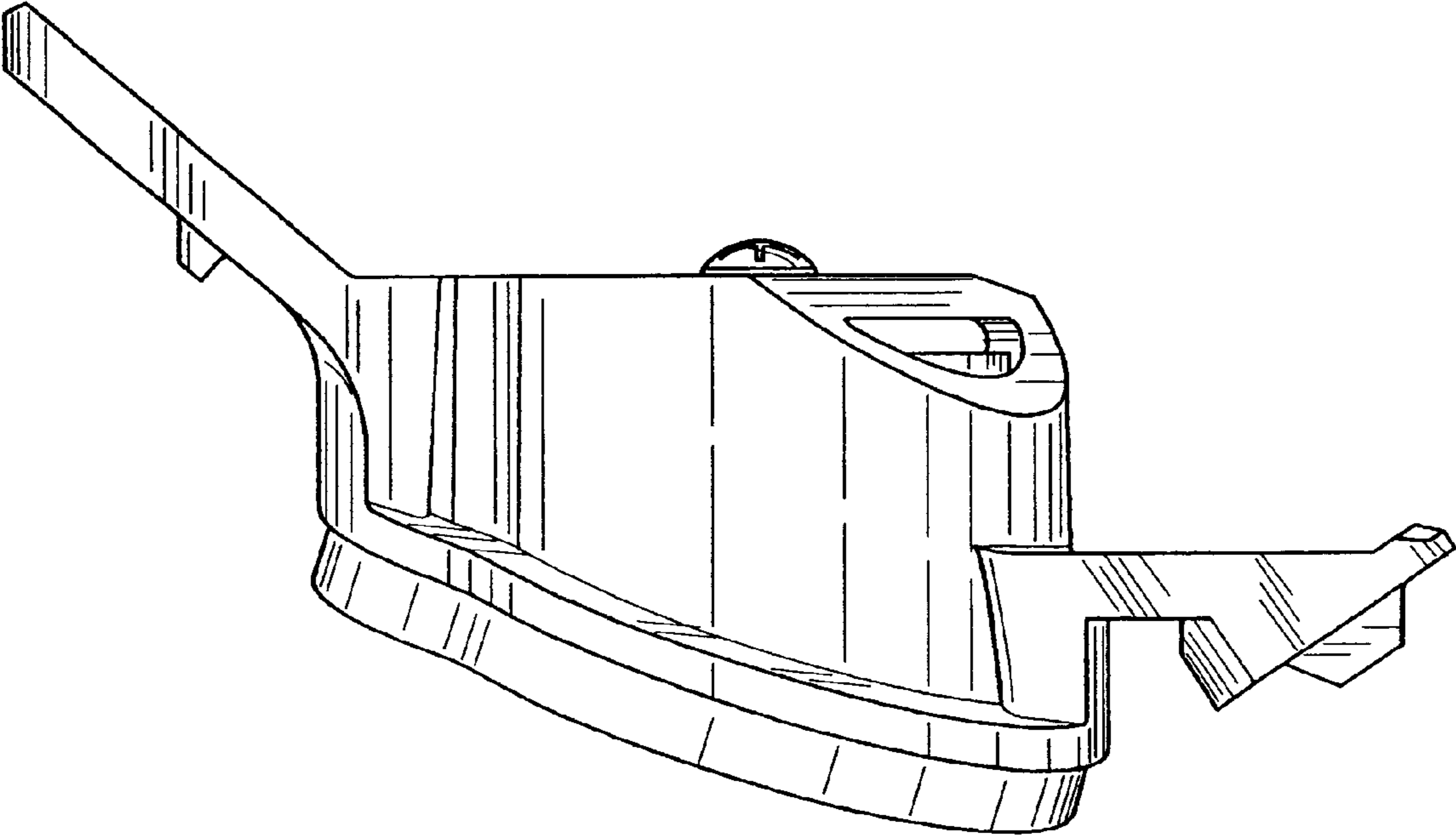


FIG.5

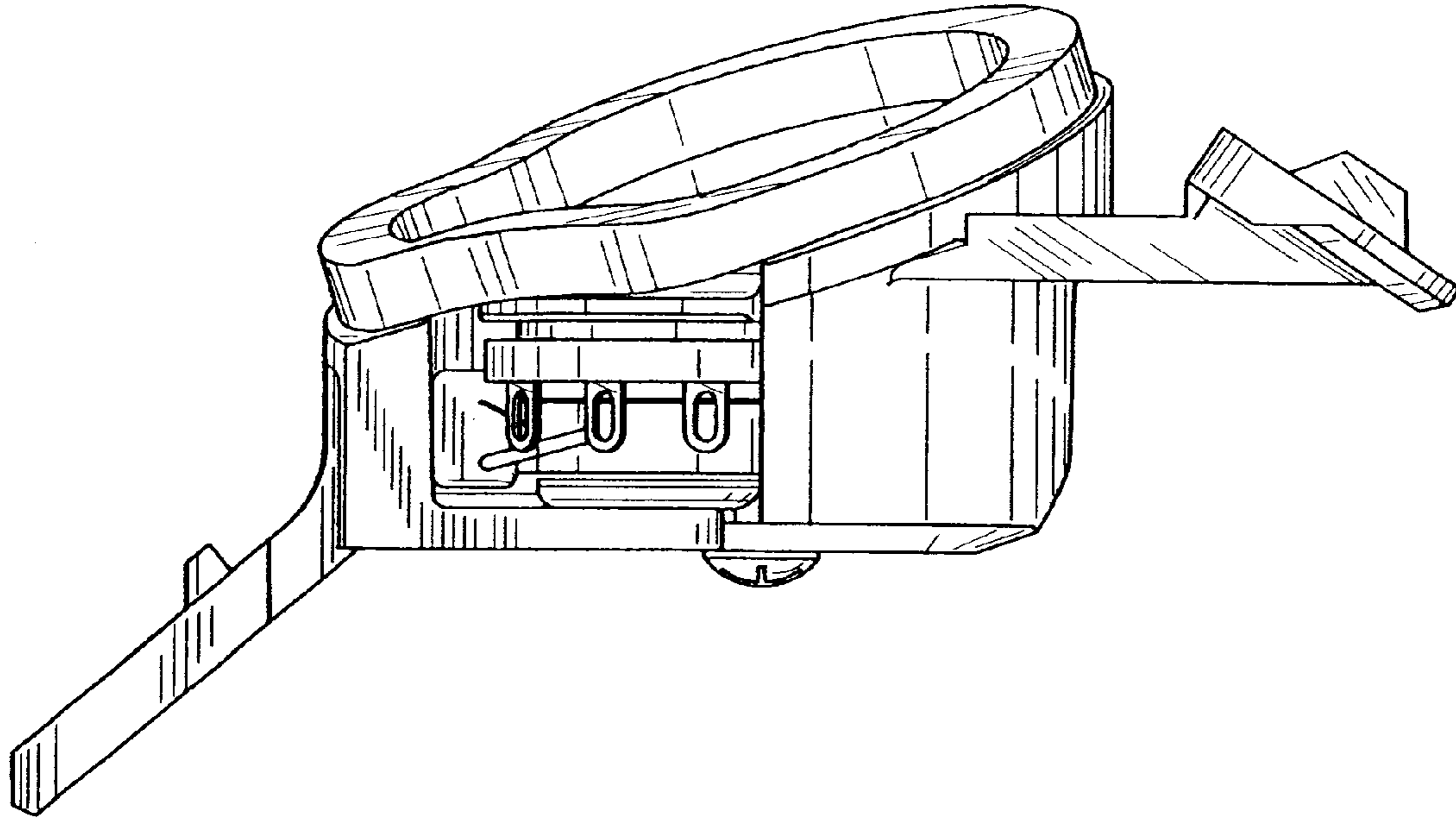


FIG.6

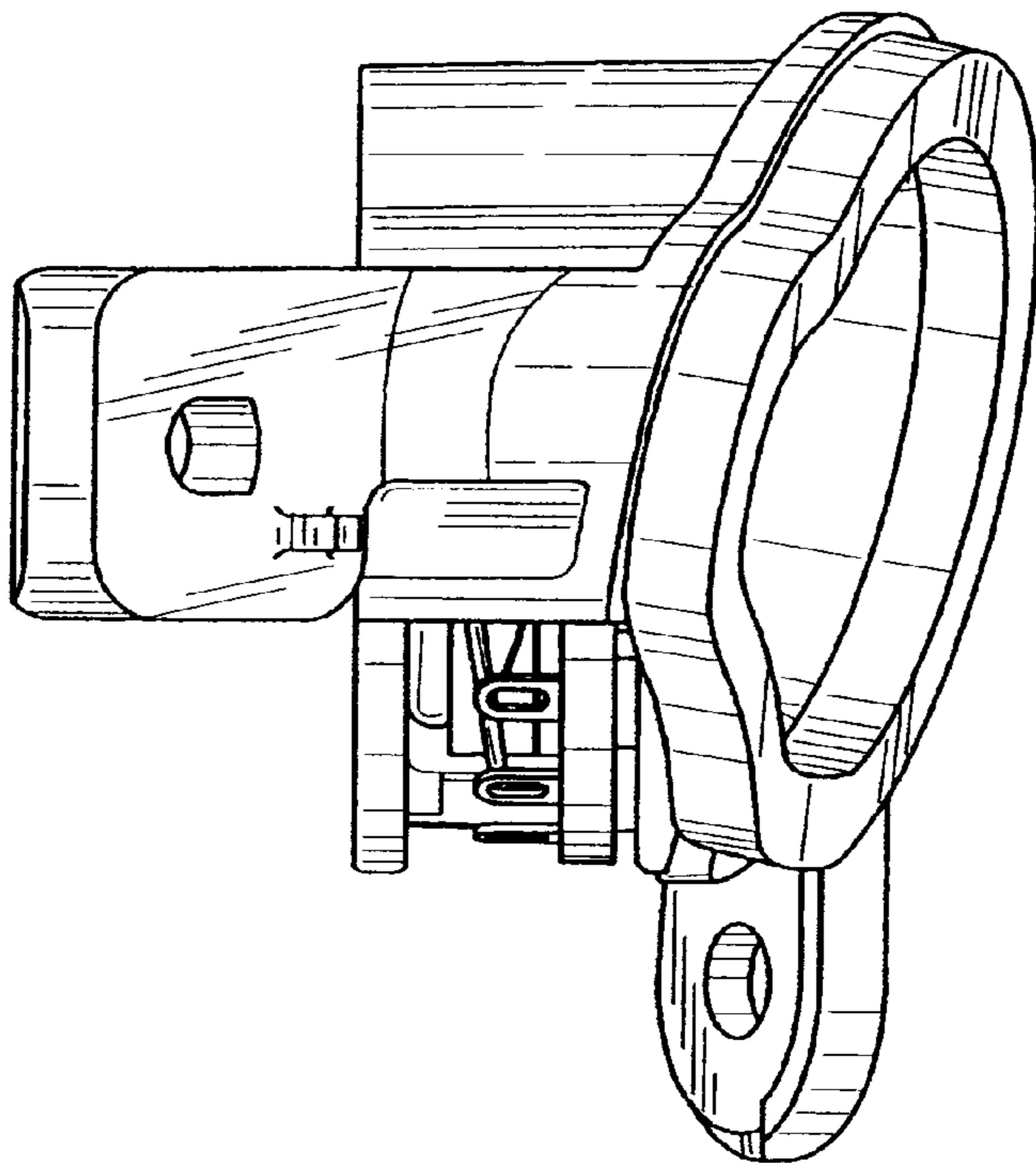


FIG.7

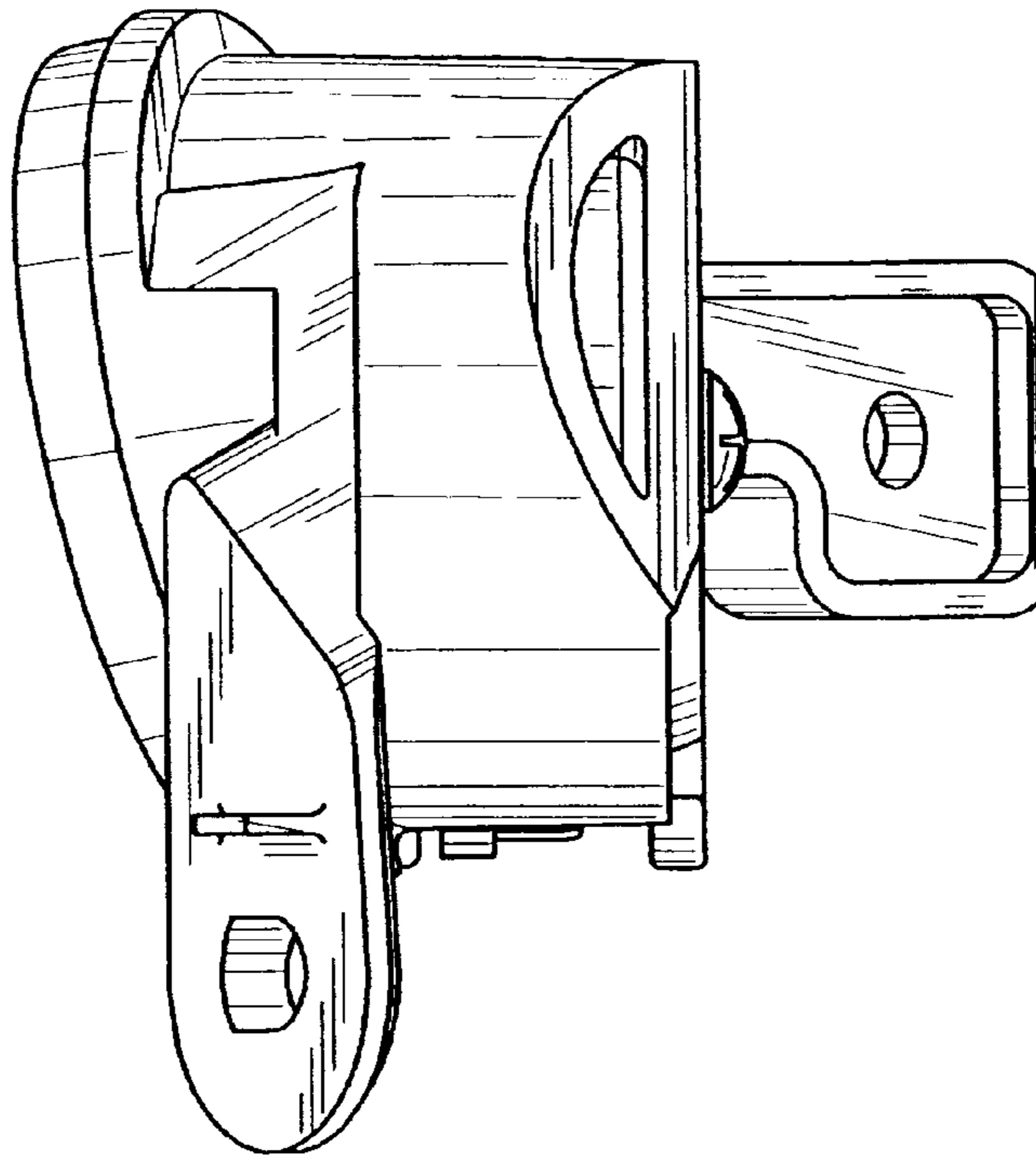


FIG.8

