

US00D524287S

(12) **United States Design Patent**
Hibi

(10) **Patent No.:** **US D524,287 S**

(45) **Date of Patent:** **** Jul. 4, 2006**

(54) **COMBINED DISC RECORDER AND TAPE RECORDER**

(75) Inventor: **Keita Hibi**, Tokyo (JP)

(73) Assignee: **Sony Corporation**, Tokyo (JP)

(**) Term: **14 Years**

(21) Appl. No.: **29/223,613**

(22) Filed: **Feb. 17, 2005**

(51) **LOC (8) Cl.** **14-01**

(52) **U.S. Cl.** **D14/168**

(58) **Field of Classification Search** D14/135-136,
D14/156-157, 160-165, 167-168, 193-198,
D14/188, 445; 360/99.02, 99.07; 369/75.11,
369/75.21, 77.21, 77.11; 720/612, 619, 647,
720/655; 455/344, 347-351

See application file for complete search history.

(56) **References Cited**

U.S. PATENT DOCUMENTS

5,146,618 A * 9/1992 Wenner 455/345
D334,191 S * 3/1993 Yun D14/165

D425,508 S * 5/2000 Fiebel et al. D14/194
D435,536 S 12/2000 Ishibashi
D477,299 S * 7/2003 Kobayashi D14/168
D486,470 S 2/2004 Hakoda
D499,083 S 11/2004 Tanaka

* cited by examiner

Primary Examiner—Nanda Bondade

(74) *Attorney, Agent, or Firm*—Rader, Fishman & Grauer
PLLC

(57) **CLAIM**

The ornamental design for a combined disc recorder and tape recorder, as shown.

DESCRIPTION

FIG. 1 is a perspective view of a combined disc recorder and tape recorder showing my new design; FIG. 2 is a front elevational view thereof; FIG. 3 is a rear elevational view thereof; FIG. 4 is a left side elevational view thereof; FIG. 5 is a right side elevational view thereof; FIG. 6 is a top plan view thereof; and, FIG. 7 is a bottom plan view thereof.

1 Claim, 4 Drawing Sheets

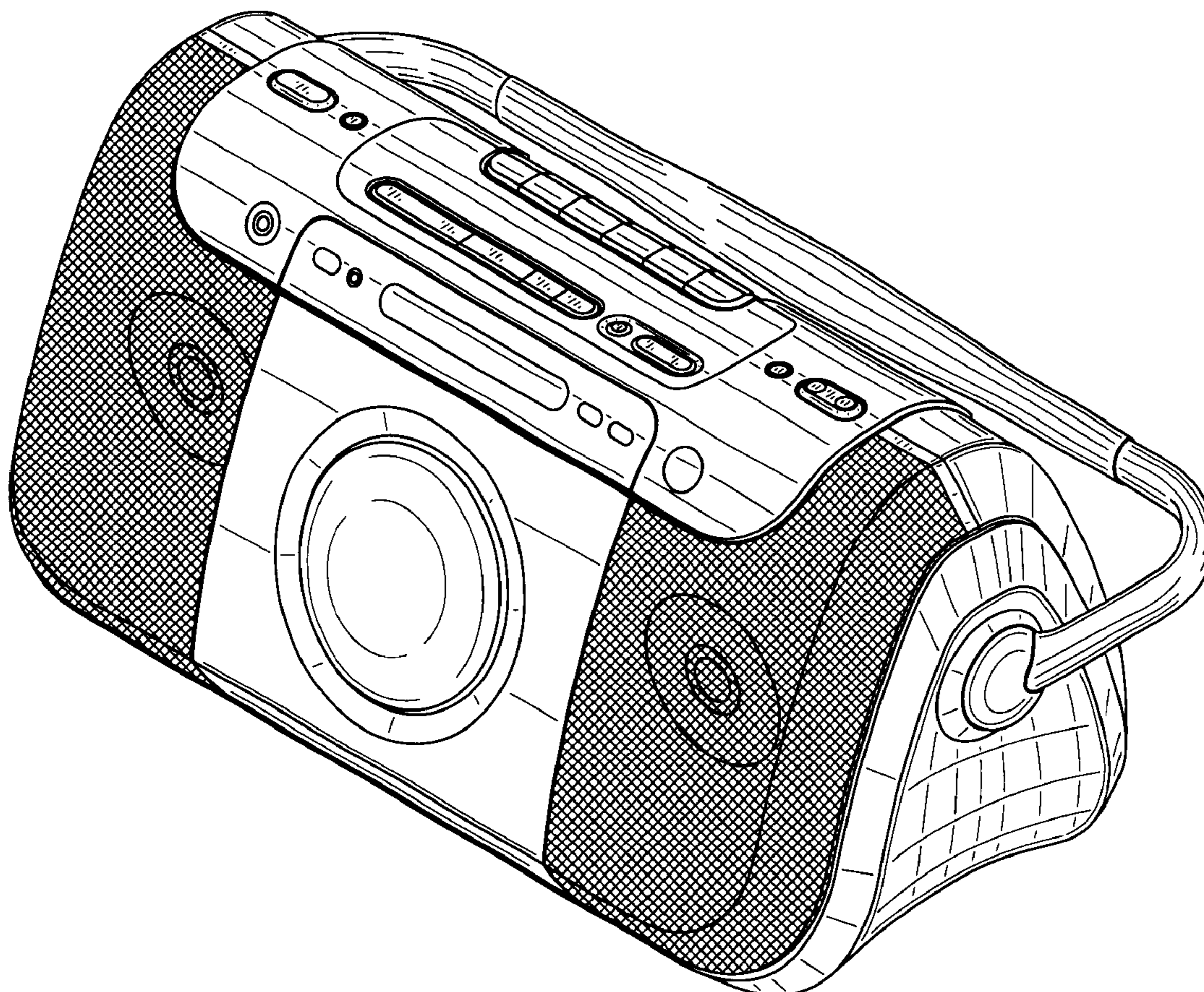


Fig.1

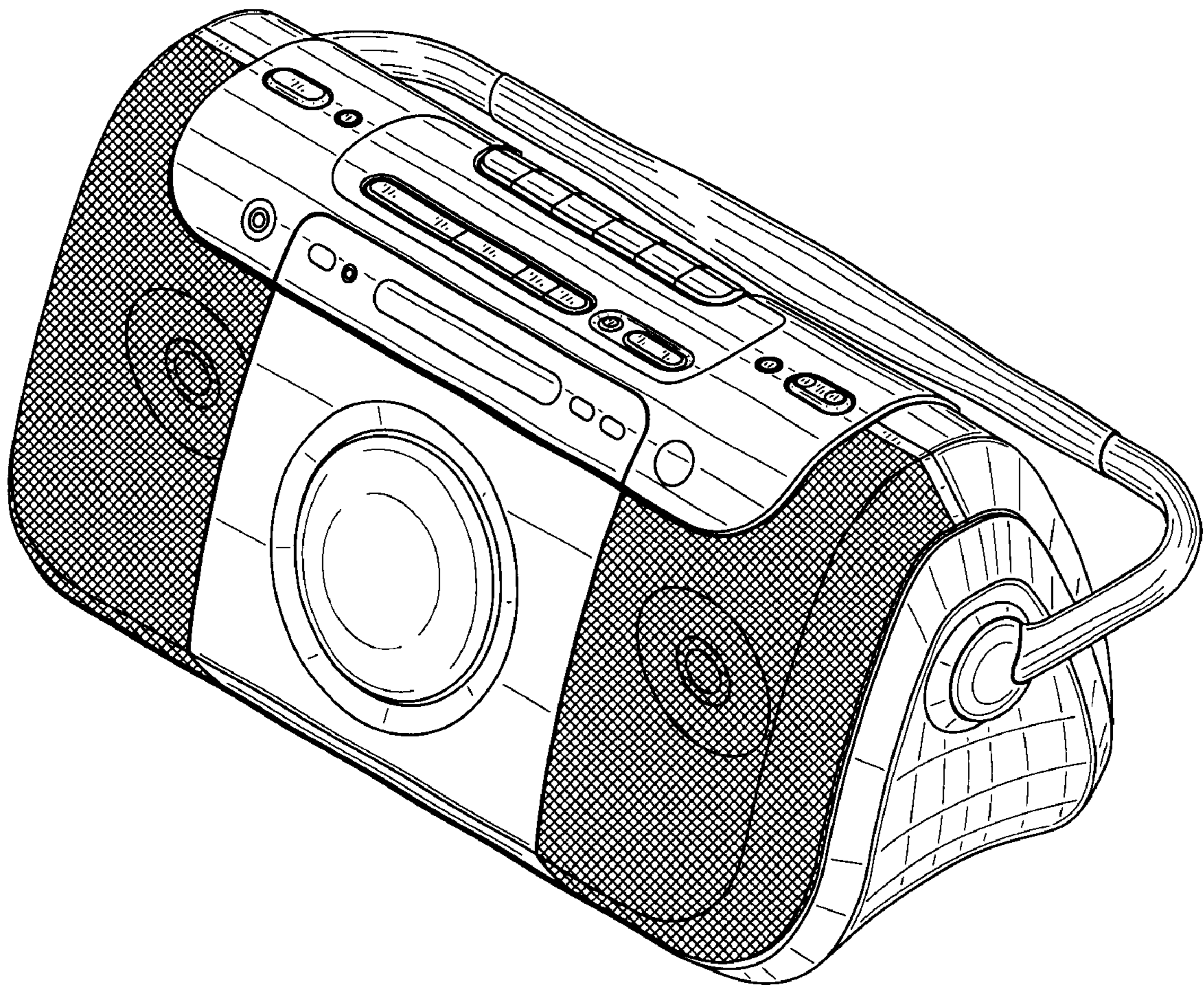


Fig.2

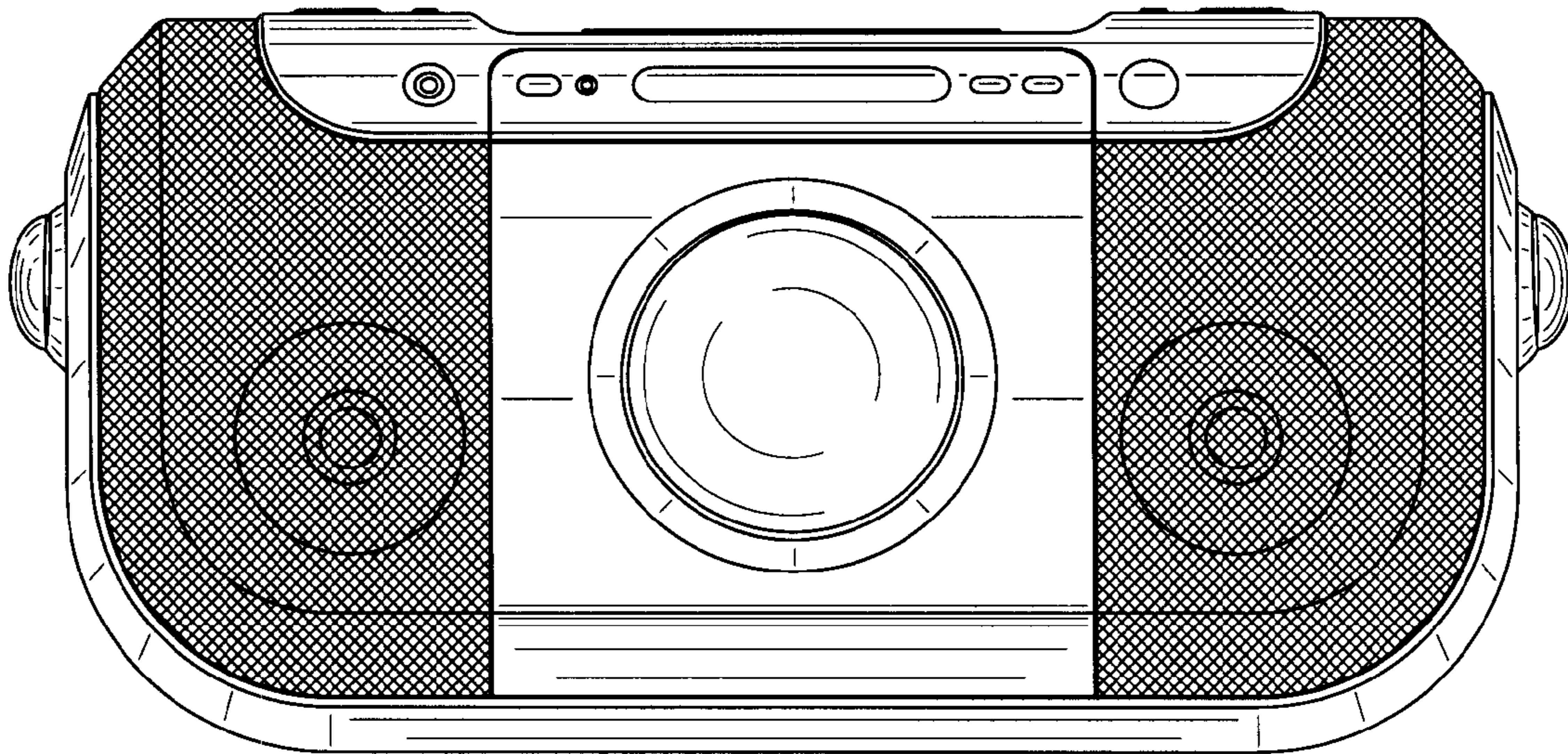


Fig.3

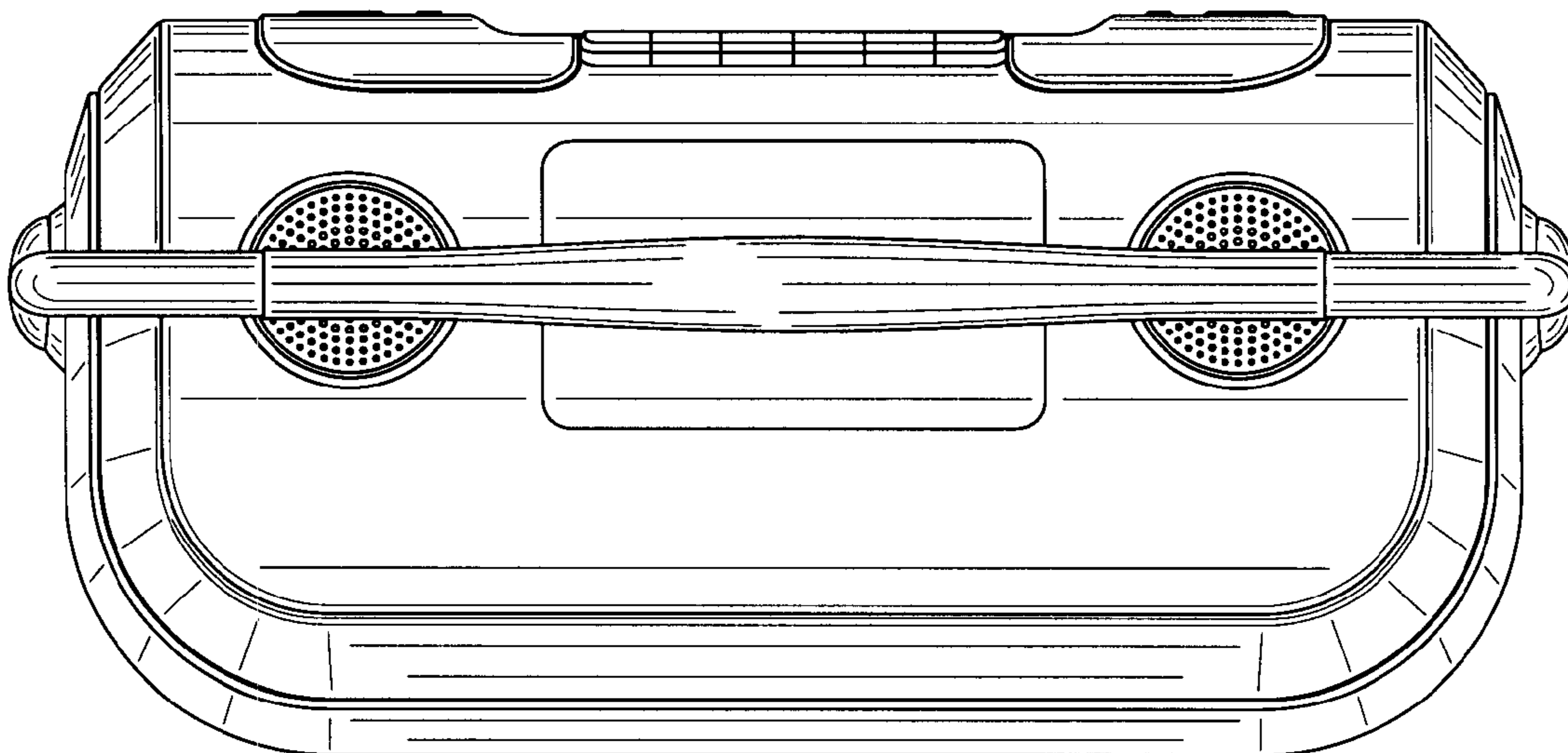


Fig.4

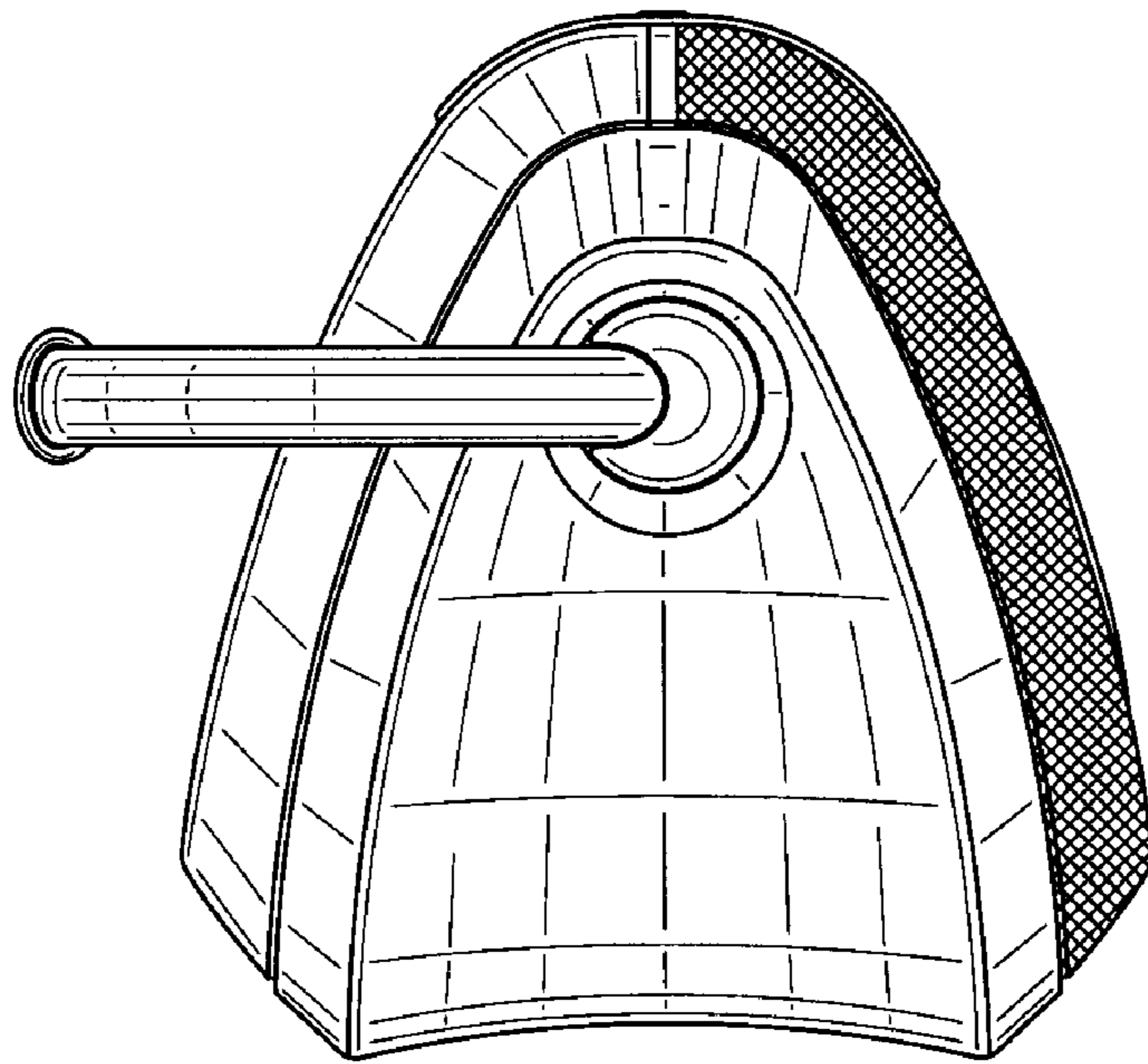


Fig.5

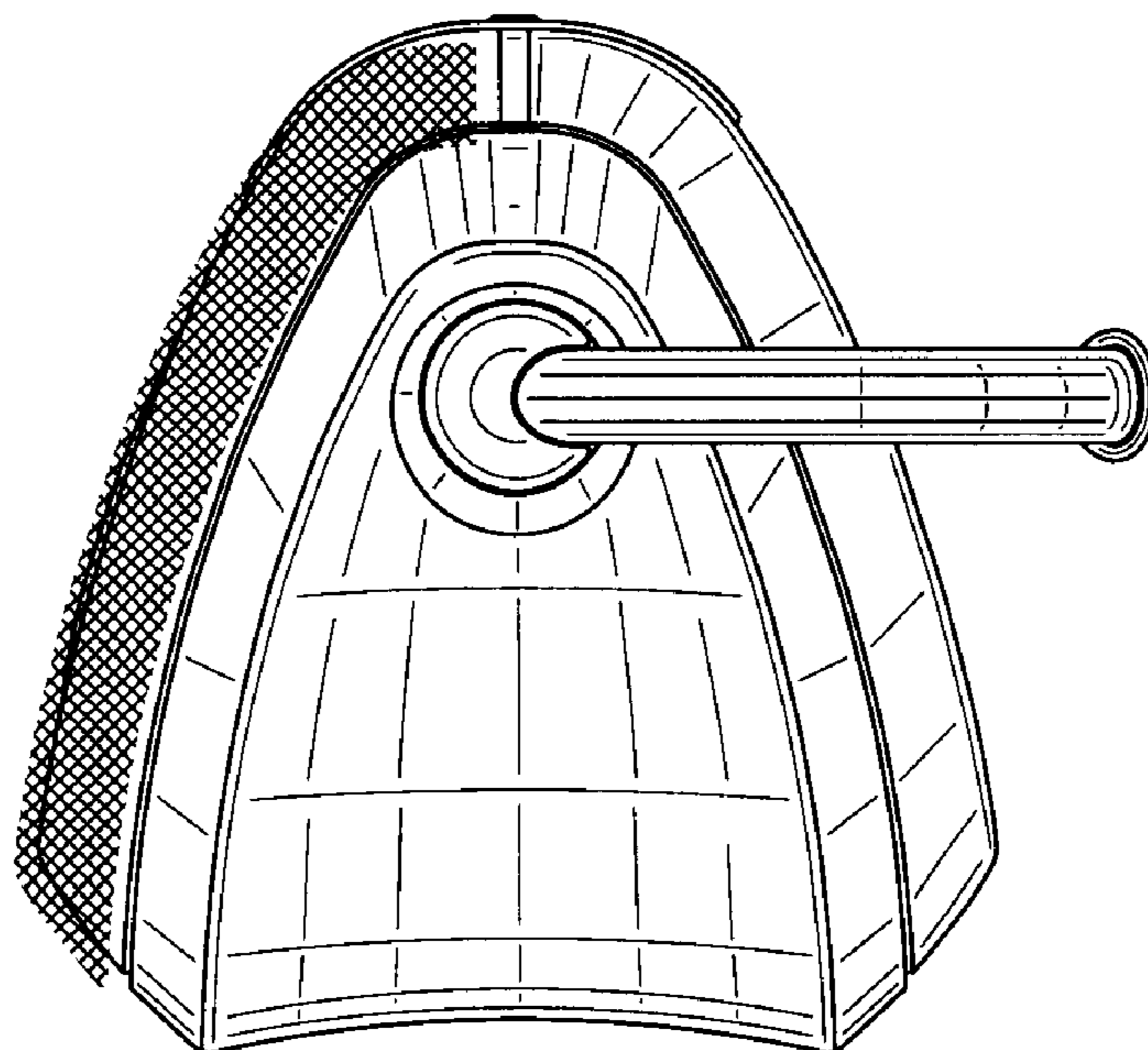


Fig.6

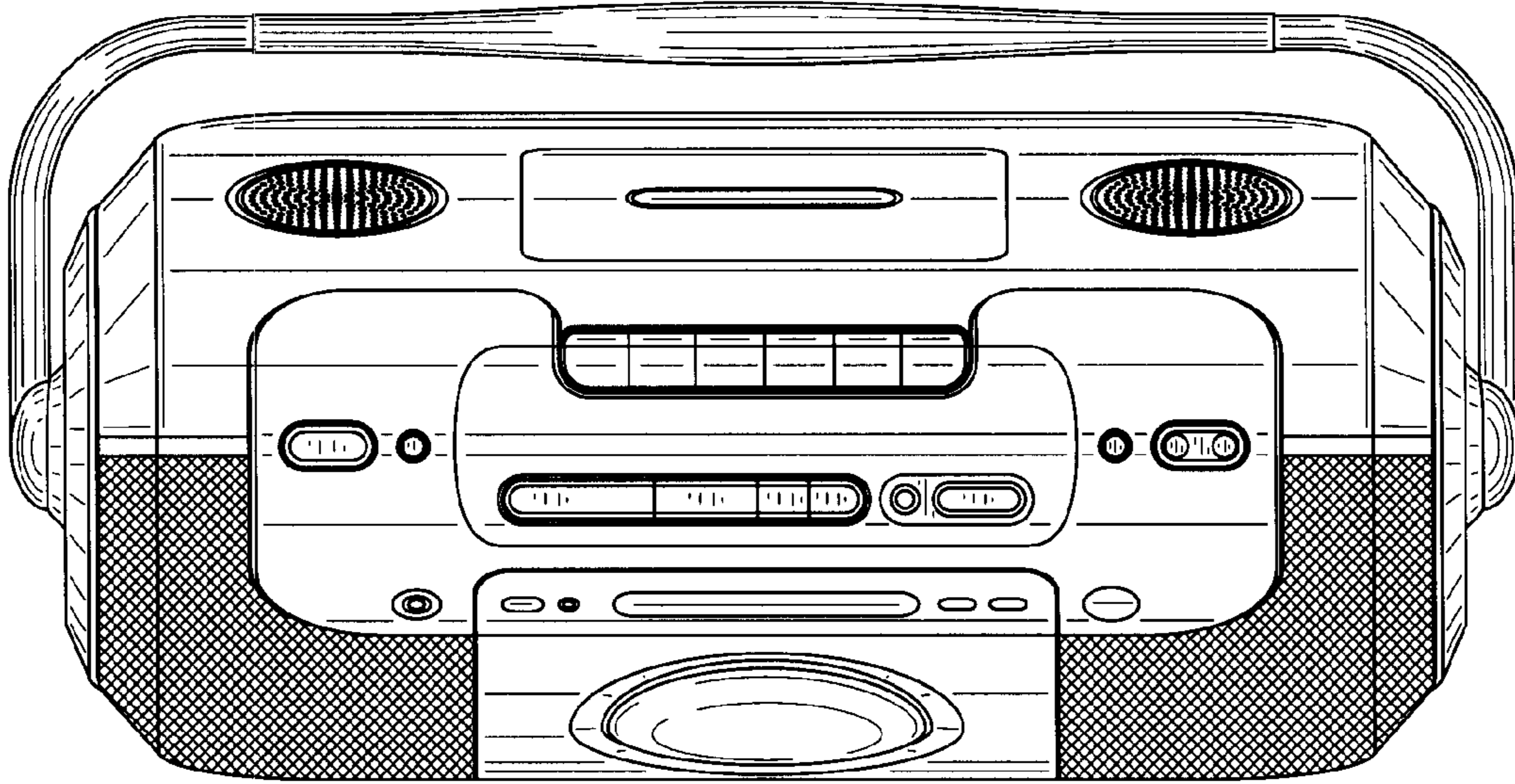


Fig.7

