



US00D524286S

(12) **United States Design Patent**  
**Sogabe**

(10) **Patent No.:** **US D524,286 S**  
(45) **Date of Patent:** **\*\* Jul. 4, 2006**

(54) **COMBINED DISC PLAYER AND AMPLIFIER**

(75) Inventor: **Takashi Sogabe**, Tokyo (JP)  
(73) Assignee: **Sony Corporation**, Tokyo (JP)  
(\*\*) Term: **14 Years**

(21) Appl. No.: **29/223,462**

(22) Filed: **Feb. 15, 2005**

(51) **LOC (8) Cl.** ..... **14-01**

(52) **U.S. Cl.** ..... **D14/168**

(58) **Field of Classification Search** ..... D14/135-136,  
D14/156-157, 160-165, 167-168, 193-198,  
D14/188, 217, 445; 360/99.02, 99.07; 369/75.11,  
369/75.21, 77.21, 77.11; 720/612, 619, 647,  
720/655; 455/344, 347-351

See application file for complete search history.

(56) **References Cited**

**U.S. PATENT DOCUMENTS**

5,285,500	A	*	2/1994	Mantz	.....	381/86
D409,609	S		5/1999	Goto		
D437,303	S		2/2001	Hibino		
D460,435	S	*	7/2002	Carbone	.....	D14/188
D480,372	S	*	10/2003	Chen et al.	.....	D14/136
D500,299	S		12/2004	Obata		

**OTHER PUBLICATIONS**

Web page "Bose®:Lifestyle® LS-35" [http://www.bose.co.jp/home\\_audio/ht\\_systems/ls35.html](http://www.bose.co.jp/home_audio/ht_systems/ls35.html), 1 sheet, BOSE K.K. (Dec. 2004).

Web page "Bose®:3·2·1 (321)" [http://www.bose.co.jp/home\\_audio/ht\\_systems/321.html](http://www.bose.co.jp/home_audio/ht_systems/321.html), 1 sheet, BOSE K.K. (Dec. 2004).

\* cited by examiner

*Primary Examiner*—Nanda Bondade

(74) *Attorney, Agent, or Firm*—Rader, Fishman & Grauer PLLC

(57) **CLAIM**

The ornamental design for a combined disc player and amplifier, as shown.

**DESCRIPTION**

FIG. 1 is a perspective view of a combined disc player and amplifier showing my new design;  
FIG. 2 is a front elevational view thereof;  
FIG. 3 is a rear elevational view thereof;  
FIG. 4 is a top plan view thereof;  
FIG. 5 is a bottom plan view thereof;  
FIG. 6 is a left side elevational view thereof; and,  
FIG. 7 is a right side elevational view thereof.

**1 Claim, 5 Drawing Sheets**

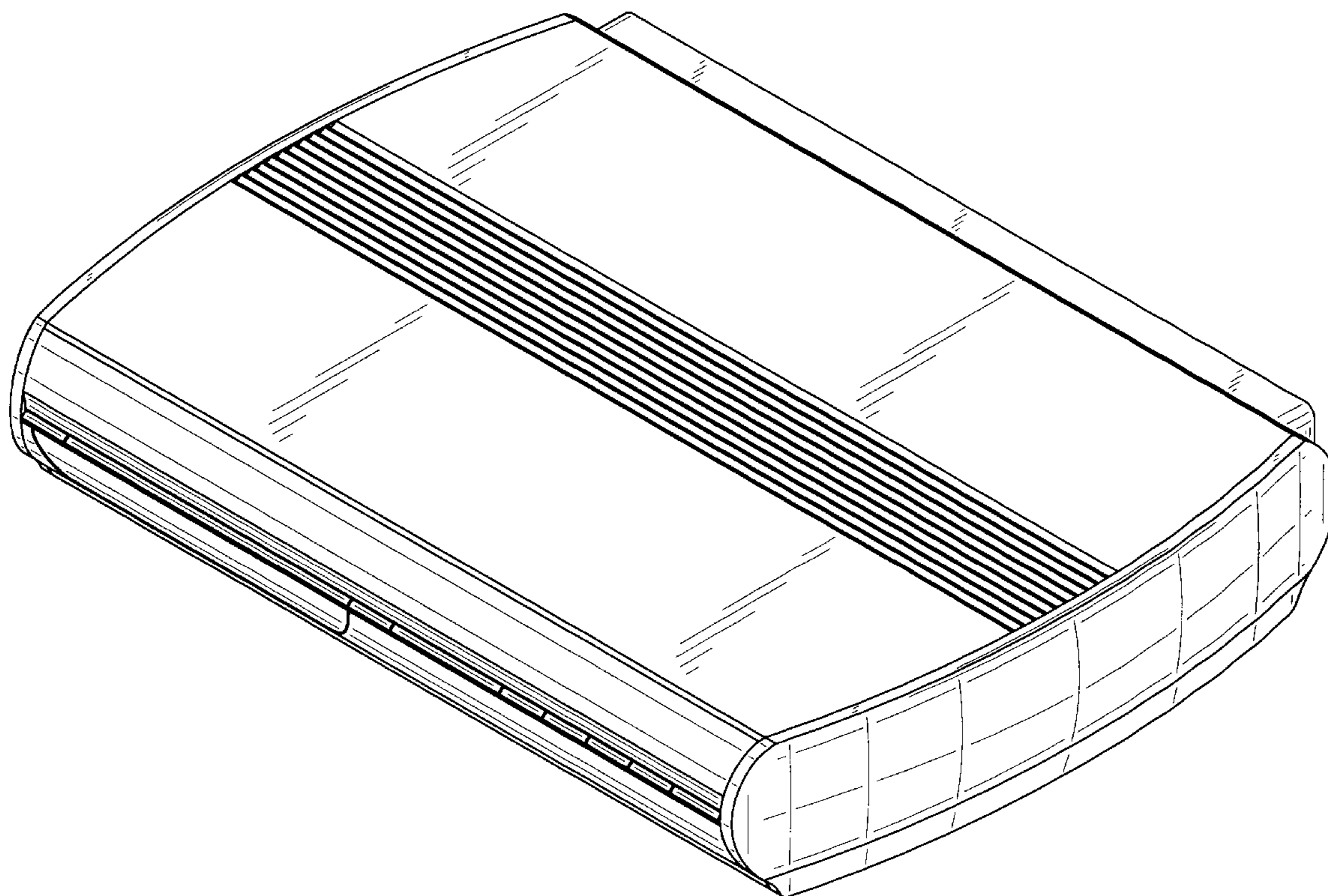


FIG.1

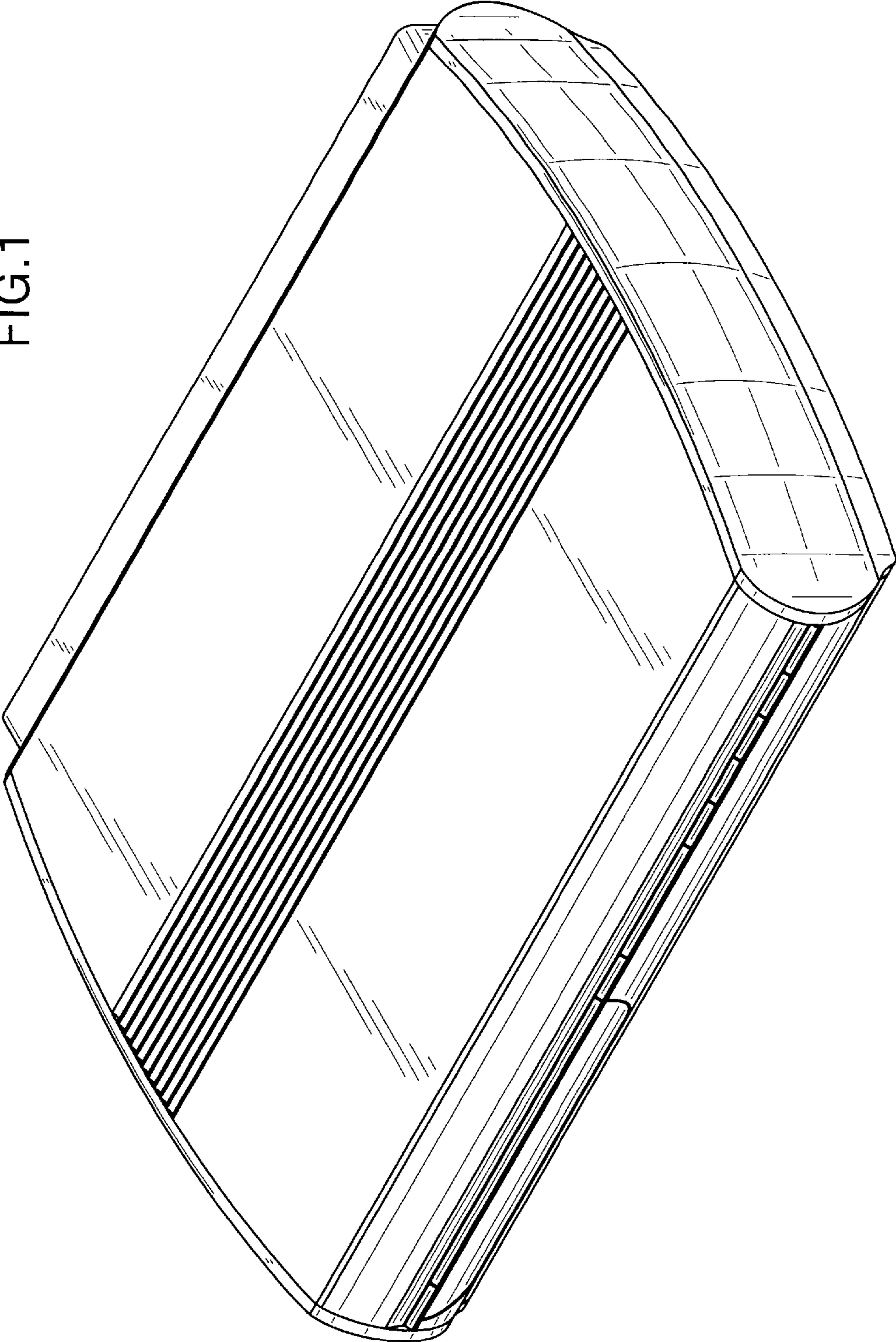


FIG.2

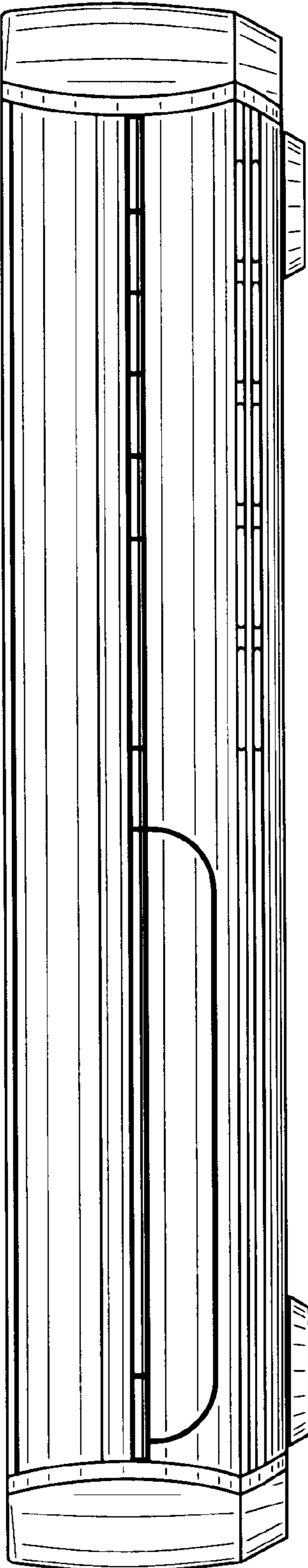


FIG.3

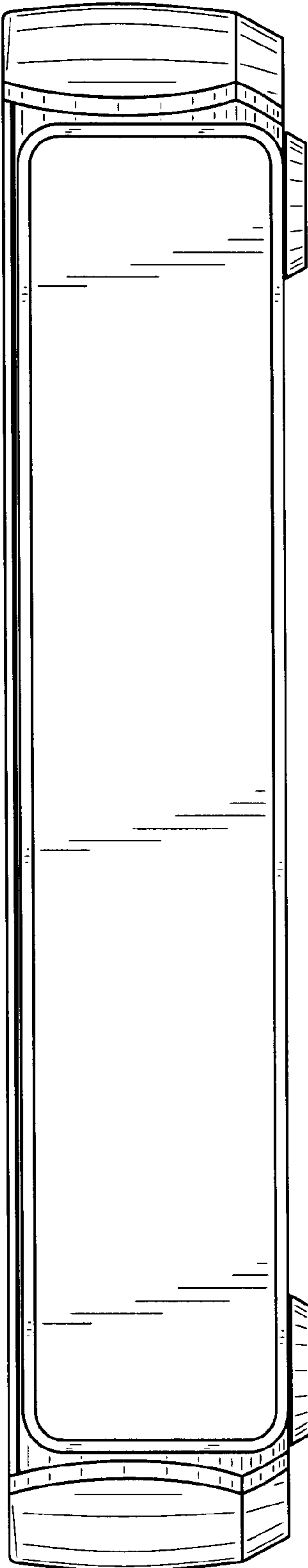


FIG.4

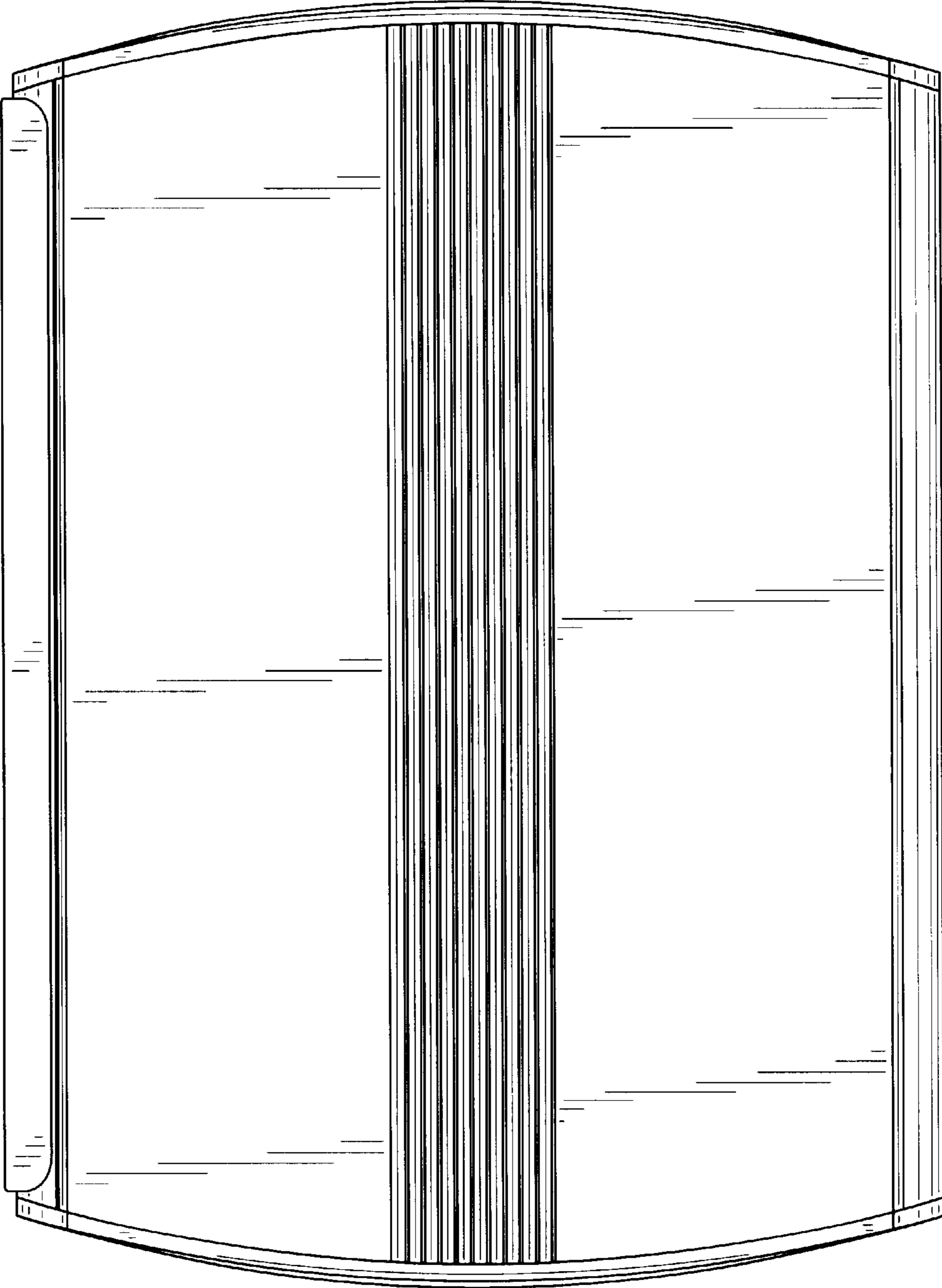


FIG. 5

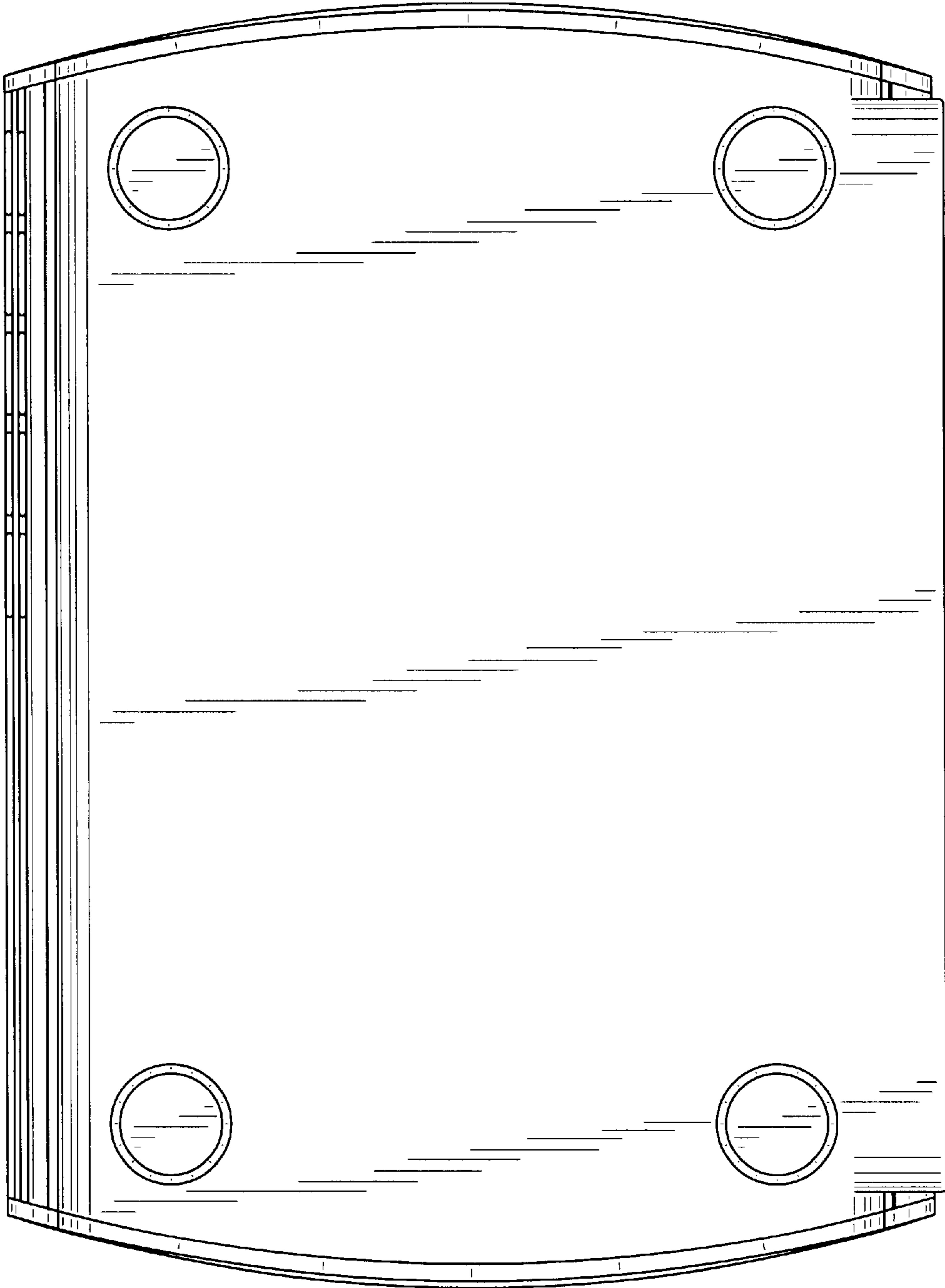


FIG.6

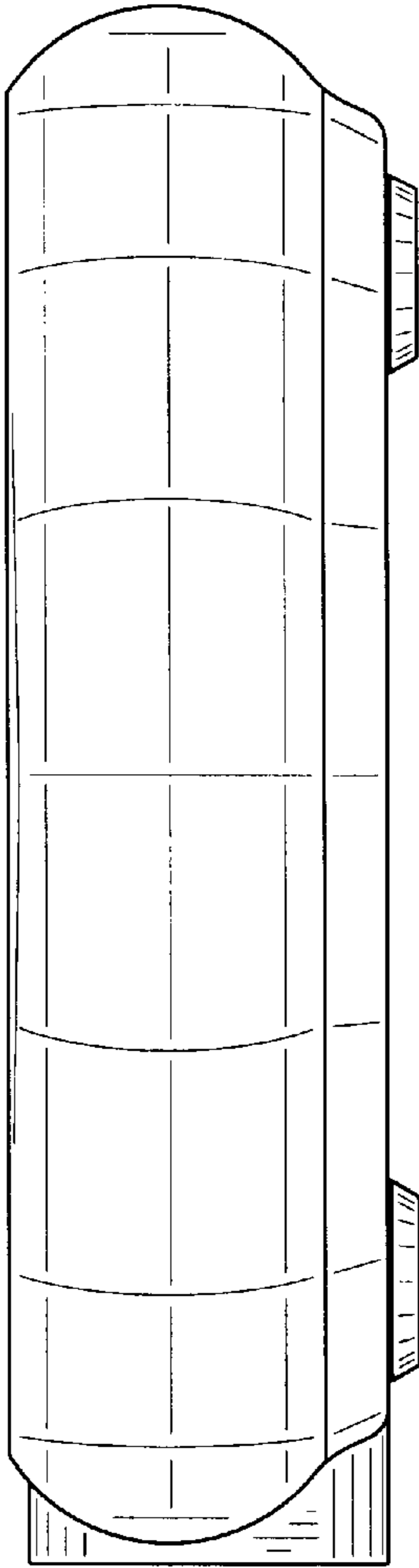


FIG.7

