



US00D524282S

(12) **United States Design Patent**  
**Beasley et al.**

(10) **Patent No.:** **US D524,282 S**

(45) **Date of Patent:** **\*\* Jul. 4, 2006**

(54) **BASE FOR CORDLESS TELEPHONE WITH ANSWERING DEVICE**

(75) Inventors: **Jeffrey R. Beasley**, Suwanee, GA (US);  
**Christopher G. Franck**, Decatur, GA (US);  
**Matthew M. Julian**, Sunrise, FL (US)

(73) Assignee: **General Instrument Corporation**,  
Horsham, PA (US)

(\*\*) Term: **14 Years**

(21) Appl. No.: **29/224,551**

(22) Filed: **Mar. 3, 2005**

(51) **LOC (8) Cl.** ..... **14-03**

(52) **U.S. Cl.** ..... **D14/149**; D13/108

(58) **Field of Classification Search** ..... D14/130,  
D14/138, 140, 142-144, 147-151, 243, 251,  
D14/253, 329-330, 434; D13/107-108; D21/405,  
D21/517; 379/419, 428.01-428.04, 433.01-433.13,  
379/434, 440; 455/90.3, 556.1, 556.2, 566,  
455/575.1; 320/107-108, 114-115  
See application file for complete search history.

(56) **References Cited**

**U.S. PATENT DOCUMENTS**

D211,472 S	*	6/1968	Dreyfuss	.....	D14/149
D264,211 S	*	5/1982	Hillmer	.....	D14/150
D286,774 S	*	11/1986	Geis et al.	.....	D14/142
D302,011 S	*	7/1989	Yoshiharu	.....	D14/142
D358,364 S	*	5/1995	Siddoway	.....	D13/108
D361,979 S	*	9/1995	Shirakawa et al.	.....	D13/108
D367,274 S	*	2/1996	Gobindram	.....	D14/149
D389,832 S	*	1/1998	Chong	.....	D14/150
D394,423 S	*	5/1998	Nagele et al.	.....	D13/107
D394,425 S	*	5/1998	Snyder et al.	.....	D13/118
D409,563 S	*	5/1999	Haase et al.	.....	D13/107
5,903,133 A	*	5/1999	Amero et al.	.....	320/107
D411,166 S	*	6/1999	Uemura et al.	.....	D13/107
D417,430 S	*	12/1999	Ko	.....	D13/107
D426,533 S	*	6/2000	Hughes et al.	.....	D14/149

D455,396 S	*	4/2002	Scott et al.	.....	D13/108
D459,299 S	*	6/2002	Hughes et al.	.....	D13/108
D463,361 S	*	9/2002	Ruohonen	.....	D13/108
D467,867 S	*	12/2002	Hsiao	.....	D13/107
D468,305 S	*	1/2003	Ma et al.	.....	D14/253
D471,578 S	*	3/2003	Okuley	.....	D16/242
D474,169 S	*	5/2003	Fletcher	.....	D14/159
D478,884 S	*	8/2003	Slipy et al.	.....	D14/149
D480,376 S	*	10/2003	Ma	.....	D14/149
D481,370 S	*	10/2003	Popowski et al.	.....	D14/150
D483,014 S	*	12/2003	Hsiao	.....	D13/107
D504,868 S	*	5/2005	Lodato et al.	.....	D13/107
D508,458 S	*	8/2005	Solland et al.	.....	D13/108
D510,208 S	*	10/2005	Klimas	.....	D6/466
2004/0110544 A1	*	6/2004	Oyagi et al.	.....	455/575.1
2005/0024011 A1	*	2/2005	Chen	.....	320/107

**FOREIGN PATENT DOCUMENTS**

WO	DM/050606	*	11/1999
WO	DM/064090	*	3/2002
WO	DM/060792	*	6/2002

\* cited by examiner

*Primary Examiner*—Jeffrey D. Asch

*Assistant Examiner*—C. J. Wright

(74) *Attorney, Agent, or Firm*—Benjamin D. Driscoll

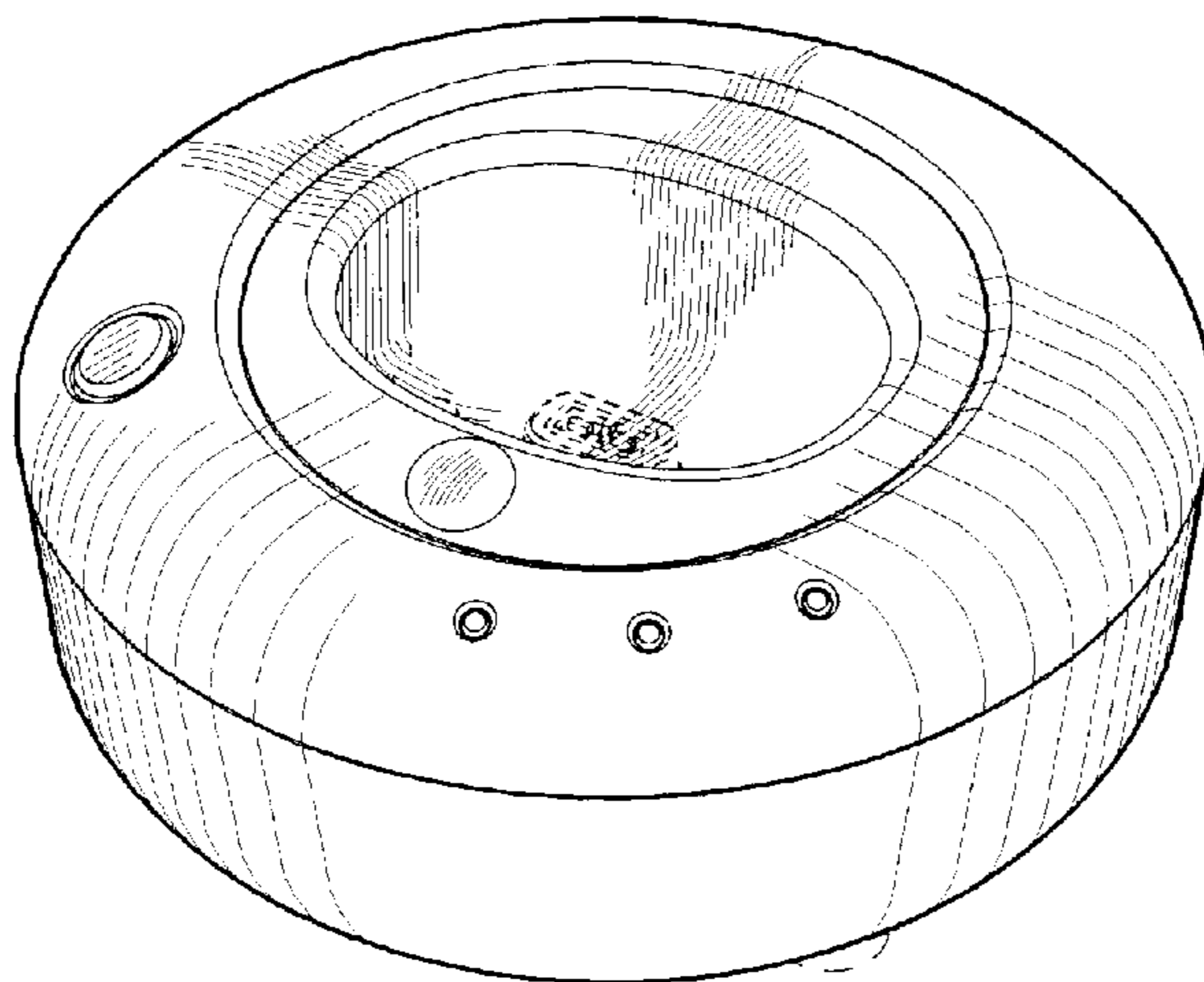
(57) **CLAIM**

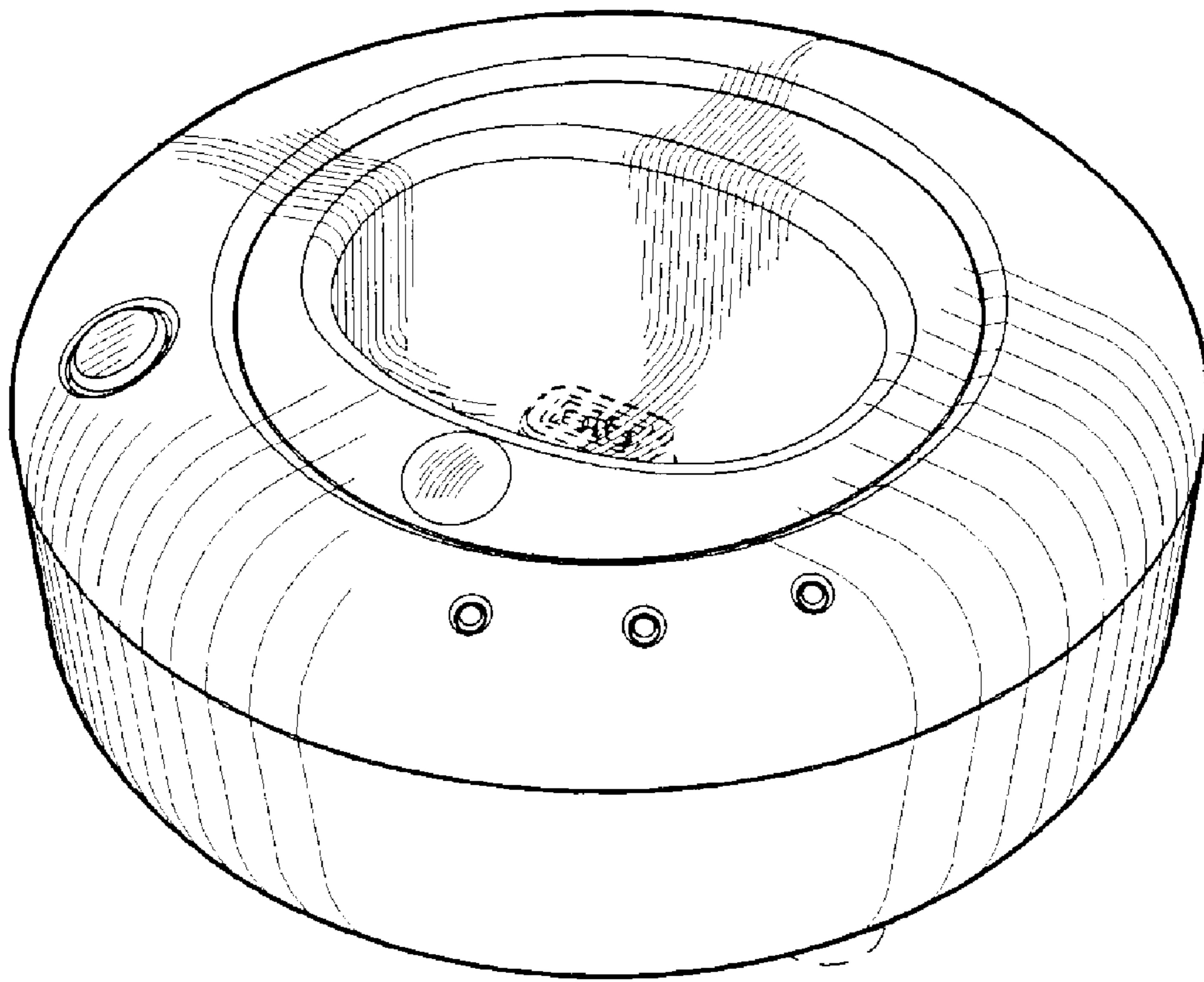
The ornamental design for a base for cordless telephone with answering device, as shown and described.

**DESCRIPTION**

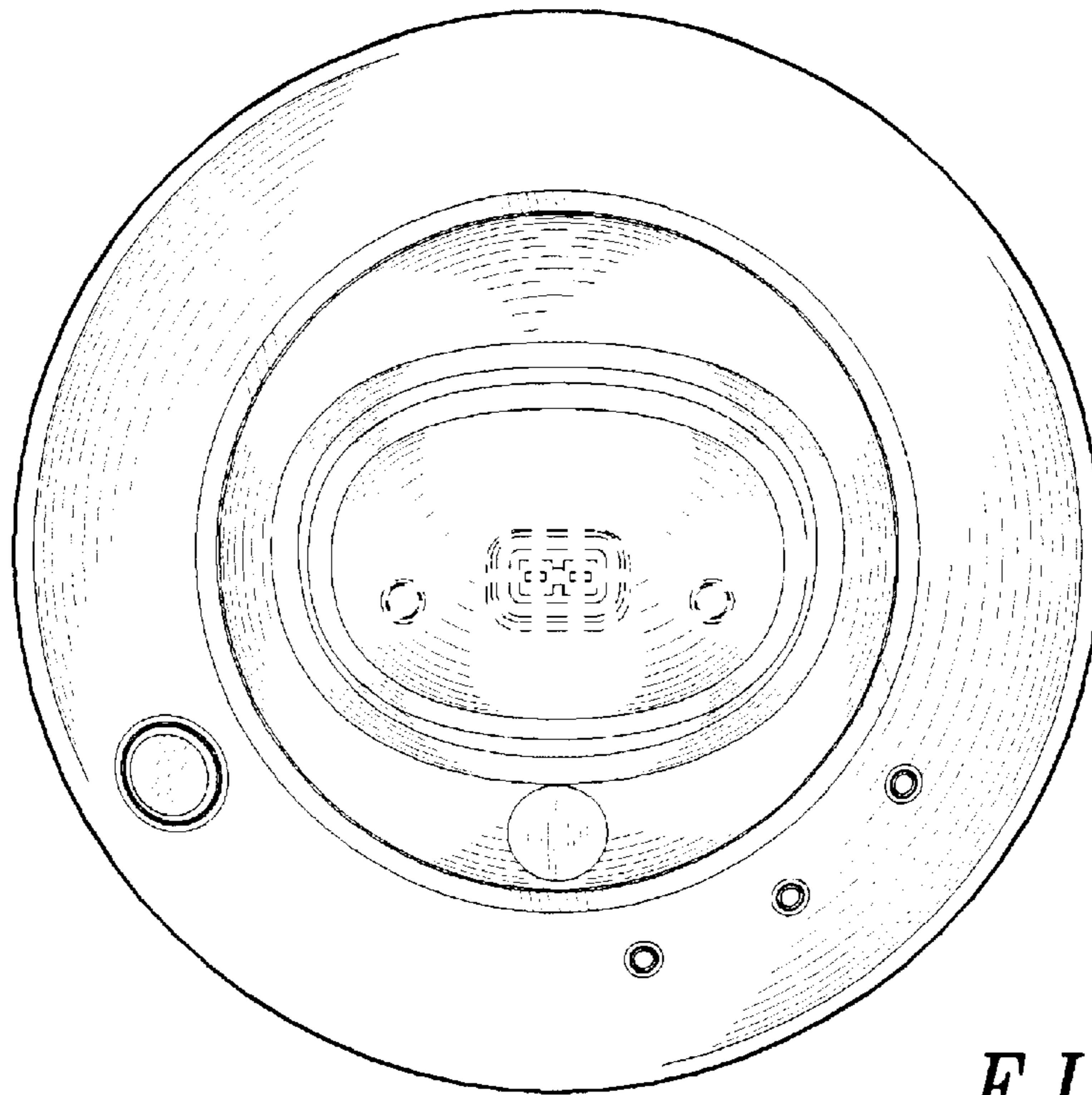
FIG. 1 is a front perspective view of a base for a cordless telephone with answering device;  
FIG. 2 is a top view of the base of FIG. 1;  
FIG. 3 is a bottom view of the base of FIG. 1;  
FIG. 4 is a front view of the base of FIG. 1;  
FIG. 5 is a back view of the base of FIG. 1;  
FIG. 6 is a side end view of the base of FIG. 1; and,  
FIG. 7 is an opposite side end view of the base of FIG. 1.  
The portions drawn in broken lines are shown for illustrative purposes only and do not form part of the claimed design.

**1 Claim, 3 Drawing Sheets**

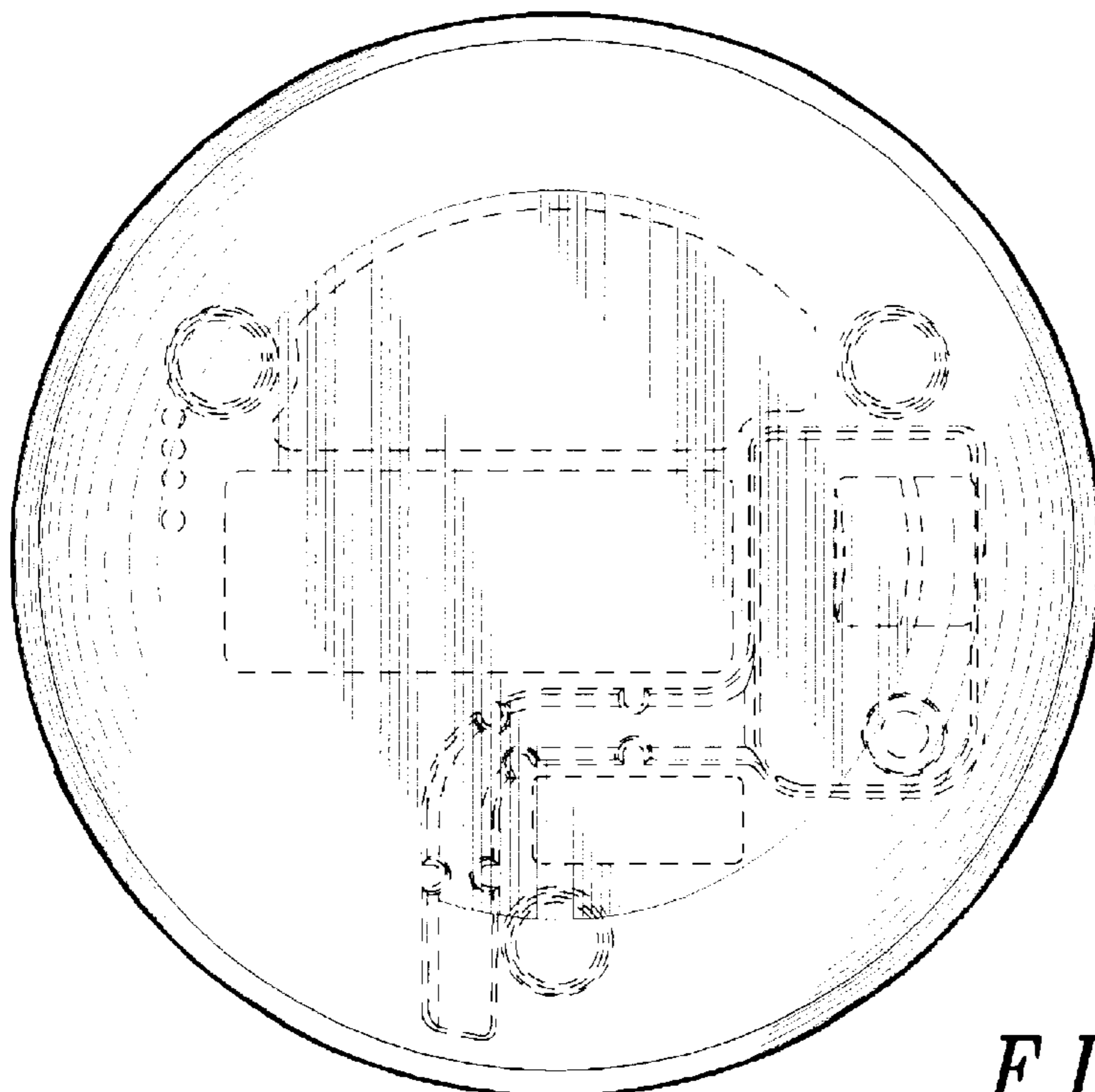




*FIG. 1*

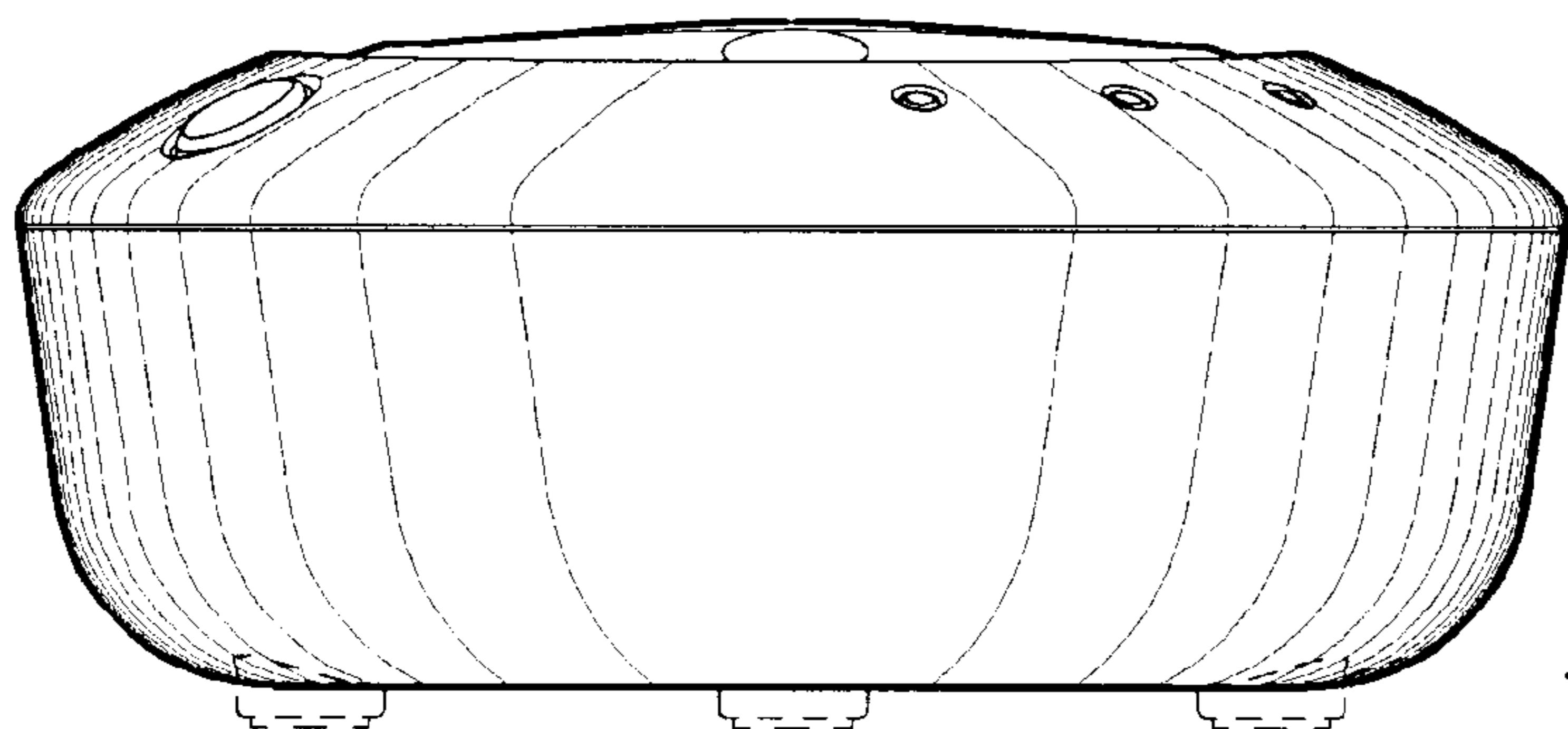


*FIG. 2*

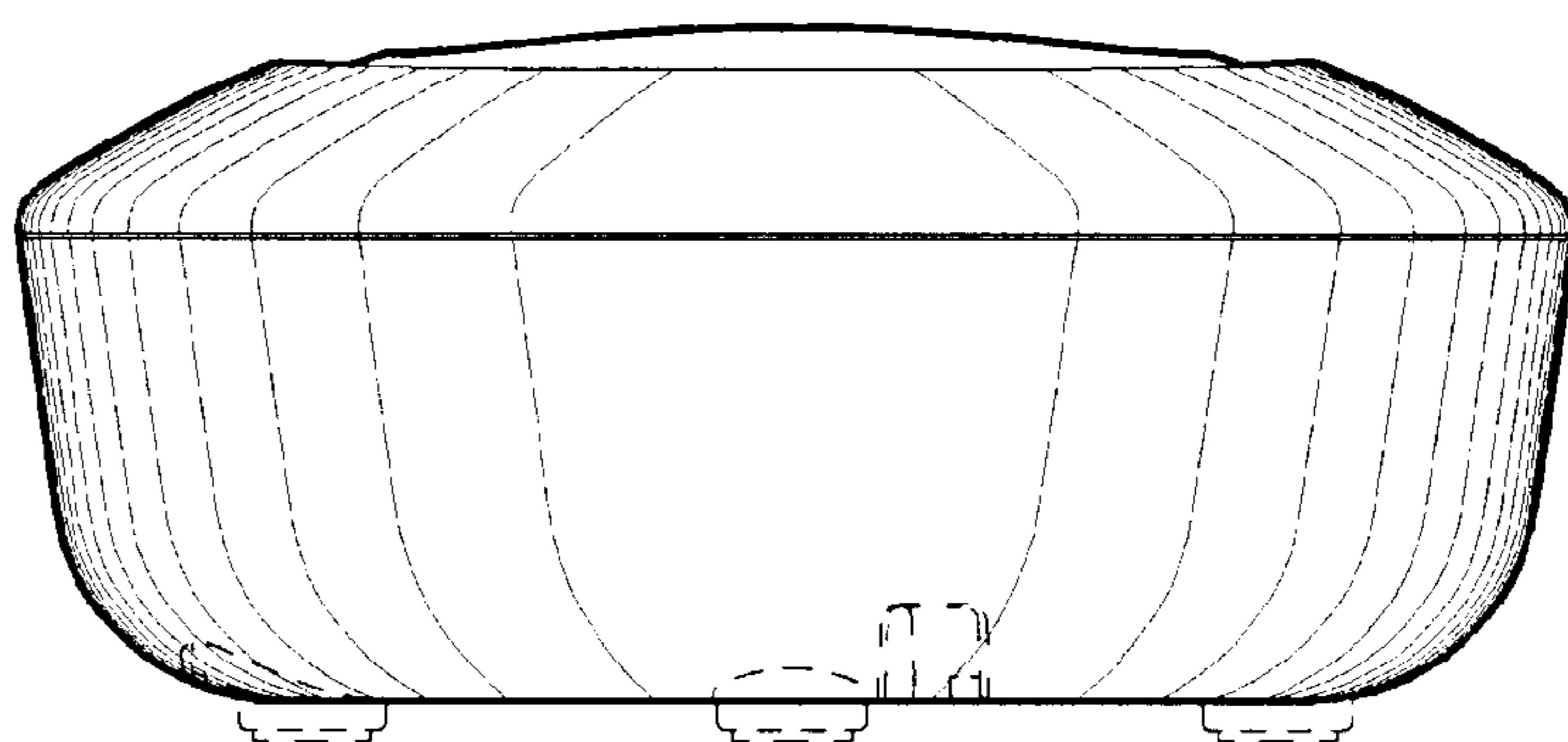


*FIG. 3*

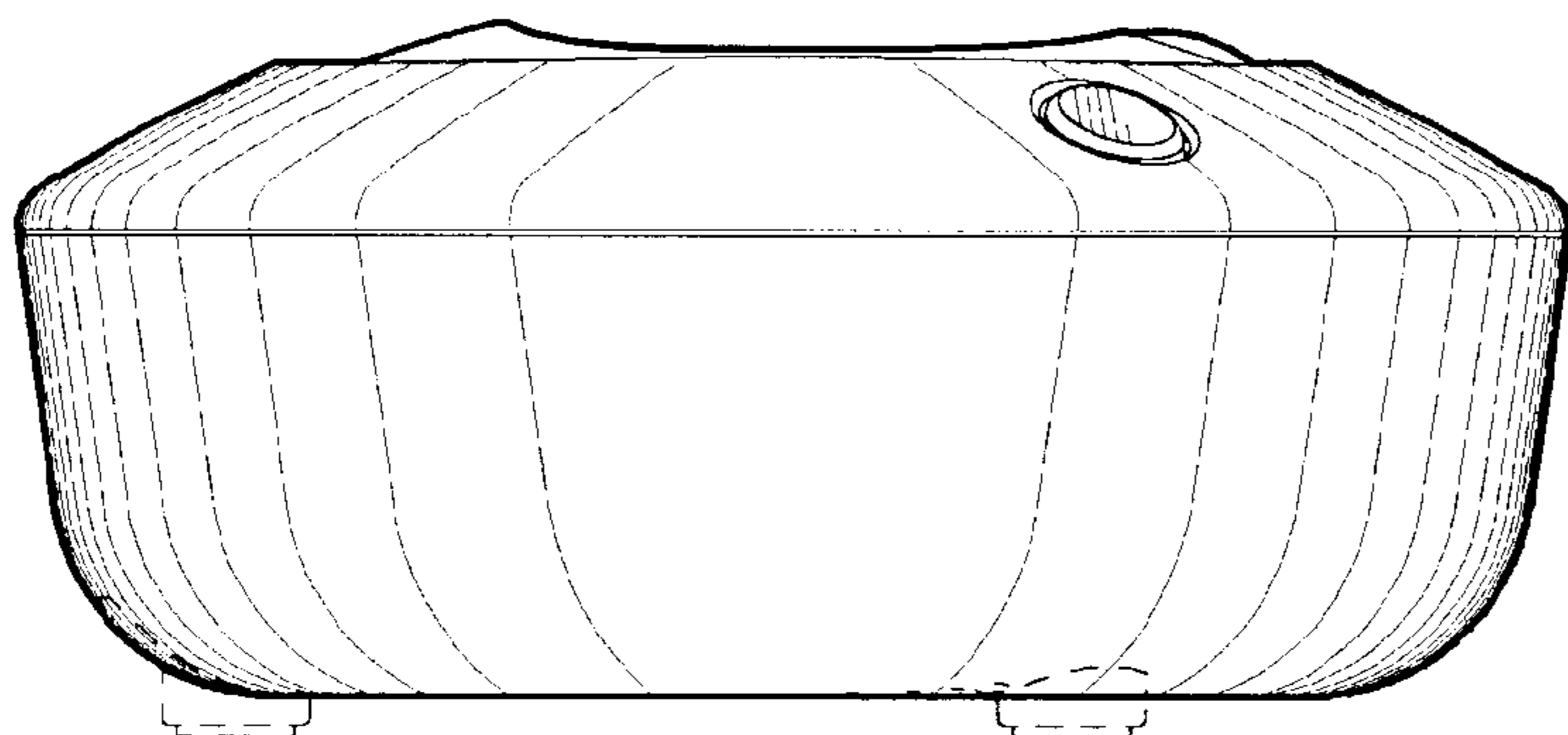




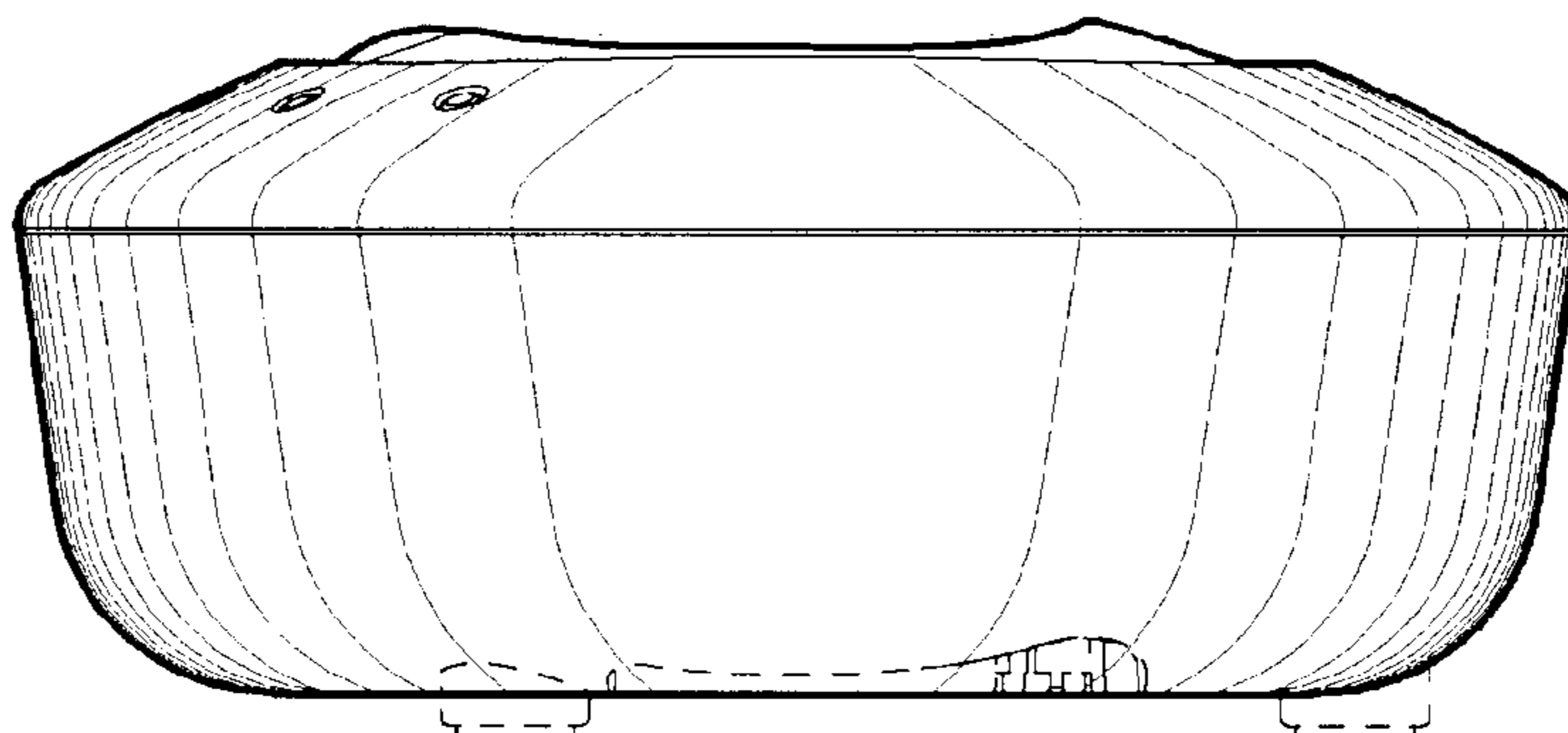
*FIG. 4*



*FIG. 5*



*FIG. 6*



*FIG. 7*