



US00D524274S

(12) **United States Design Patent**  
**Choi et al.**

(10) **Patent No.:** **US D524,274 S**

(45) **Date of Patent:** **\*\* Jul. 4, 2006**

(54) **CELLULAR PHONE**

(75) Inventors: **Hyok-Su Choi**, Anyang-si (KR);  
**Yoon-Young Cho**, Seoul (KR);  
**Jong-Seong Lee**, Seoul (KR);  
**Chang-Hwan Hwang**, Goyang-si (KR)

(73) Assignee: **Samsung Electronics Co., Ltd.** (KR)

(\*\*) **Term:** **14 Years**

(21) **Appl. No.:** **29/221,031**

(22) **Filed:** **Jan. 10, 2005**

(30) **Foreign Application Priority Data**

Oct. 28, 2004 (KR) ..... 30-2004-0033092

(51) **LOC (8) Cl.** ..... **14-03**

(52) **U.S. Cl.** ..... **D14/138**

(58) **Field of Classification Search** ..... D14/137,  
D14/138, 147-148, 247-248, 144, 218, 341-347;  
379/433.01-433.13, 434; D13/168; D21/517;  
455/556.1, 556.2, 566, 575.1, 90.3  
See application file for complete search history.

(56) **References Cited**

**U.S. PATENT DOCUMENTS**

D362,249 S	*	9/1995	Burstedt et al.	.....	D14/138
D407,722 S	*	4/1999	Nagano et al.	.....	D14/138
D459,327 S	*	6/2002	Ali	.....	D14/138
D469,748 S	*	2/2003	Ribeiro et al.	.....	D14/138
D470,467 S	*	2/2003	Maruska et al.	.....	D14/138
D478,882 S	*	8/2003	Peng et al.	.....	D14/138
D479,514 S	*	9/2003	Chan	.....	D14/138
D484,475 S	*	12/2003	Sheu	.....	D14/138
D485,819 S	*	1/2004	Ahlgren	.....	D14/138

D487,886 S	*	3/2004	Ho-Cheun et al.	.....	D14/138
D488,789 S	*	4/2004	Lee	.....	D14/138
D489,046 S	*	4/2004	Chan	.....	D14/138
D492,657 S	*	7/2004	Jensfelt	.....	D14/138
D493,436 S	*	7/2004	Okada et al.	.....	D14/138
6,825,830 B1	*	11/2004	Kanesaka et al.	.....	345/156
D500,992 S	*	1/2005	Shen et al.	.....	D14/138
D502,456 S	*	3/2005	Huang	.....	D14/138
D503,163 S	*	3/2005	Chan et al.	.....	D14/138
2003/0176205 A1	*	9/2003	Oota et al.	.....	455/567
2004/0072596 A1	*	4/2004	Yamamoto et al.	.....	455/566
2005/0014537 A1	*	1/2005	Gammon et al.	.....	455/575.1
2005/0164688 A1	*	7/2005	Satake	.....	455/418
2005/0221874 A1	*	10/2005	Cho et al.	.....	455/575.4

**FOREIGN PATENT DOCUMENTS**

WO DM/067035 \* 8/2005

\* cited by examiner

*Primary Examiner*—Jeffrey Asch

(74) *Attorney, Agent, or Firm*—Cantor Colburn LLP

(57) **CLAIM**

We claim, the ornamental design for a cellular phone, as shown and described.

**DESCRIPTION**

FIG. 1 is a top and front perspective view of a cellular phone, showing our new design;

FIG. 2 is a front elevational view thereof;

FIG. 3 is a rear elevational view thereof;

FIG. 4 is a left side elevational view thereof;

FIG. 5 is a right side elevational view thereof;

FIG. 6 is a top elevational view thereof; and,

FIG. 7 is a bottom elevational view thereof.

**1 Claim, 3 Drawing Sheets**

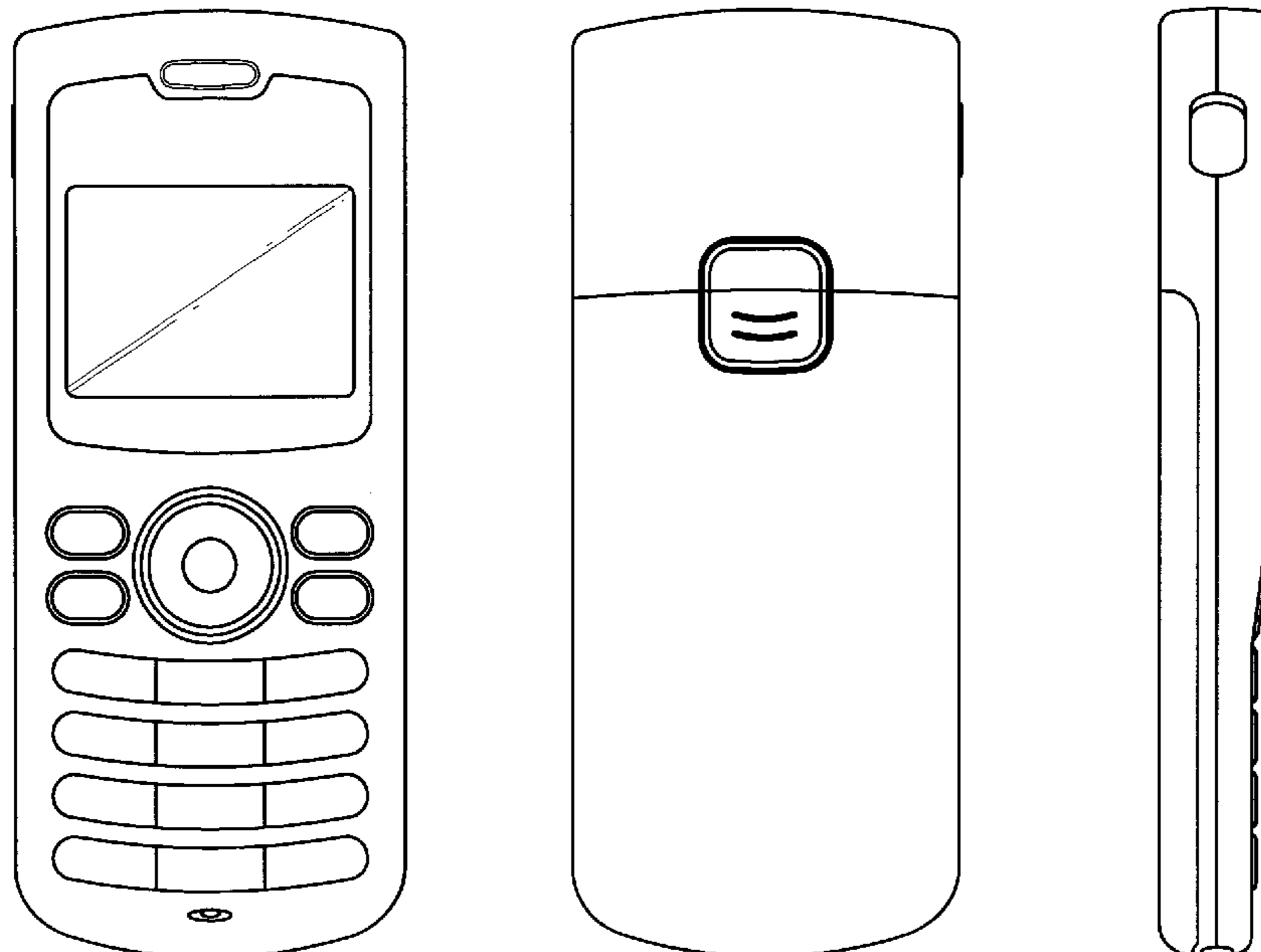


FIG. 1

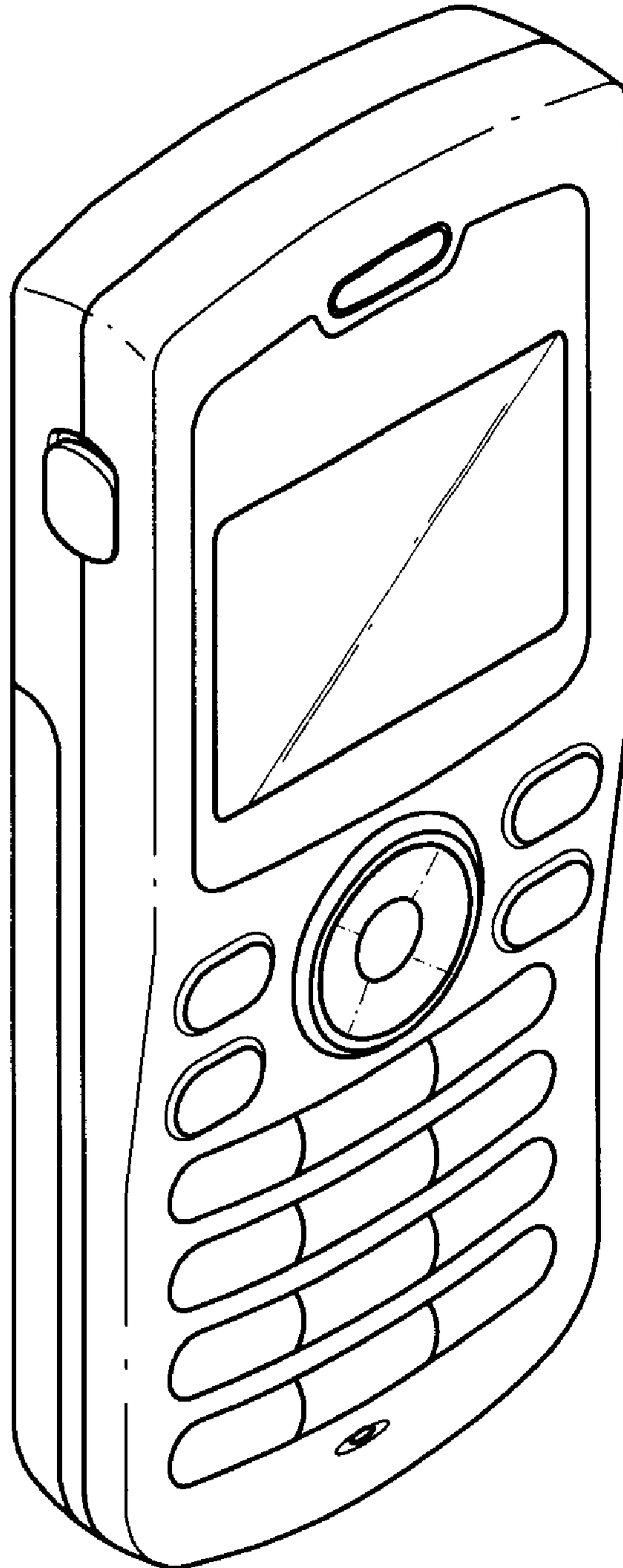


FIG. 2

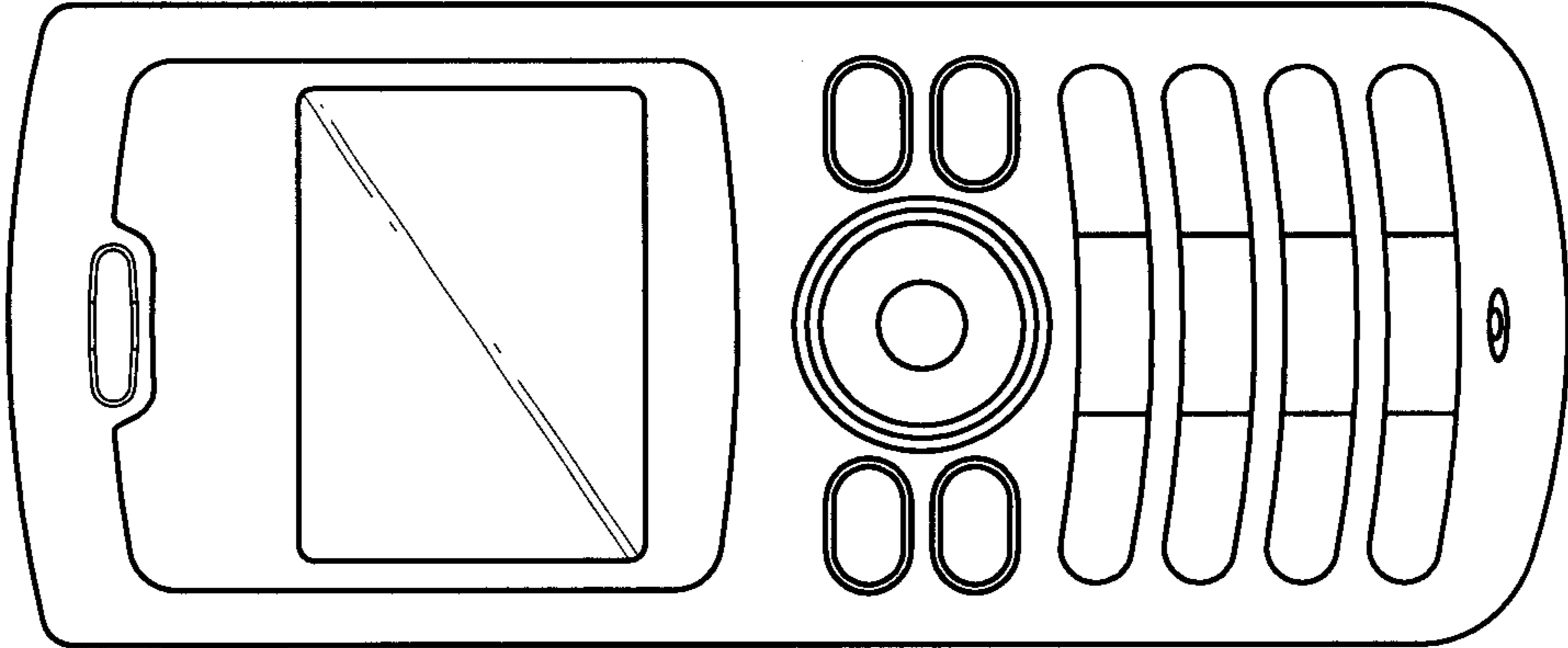


FIG. 3

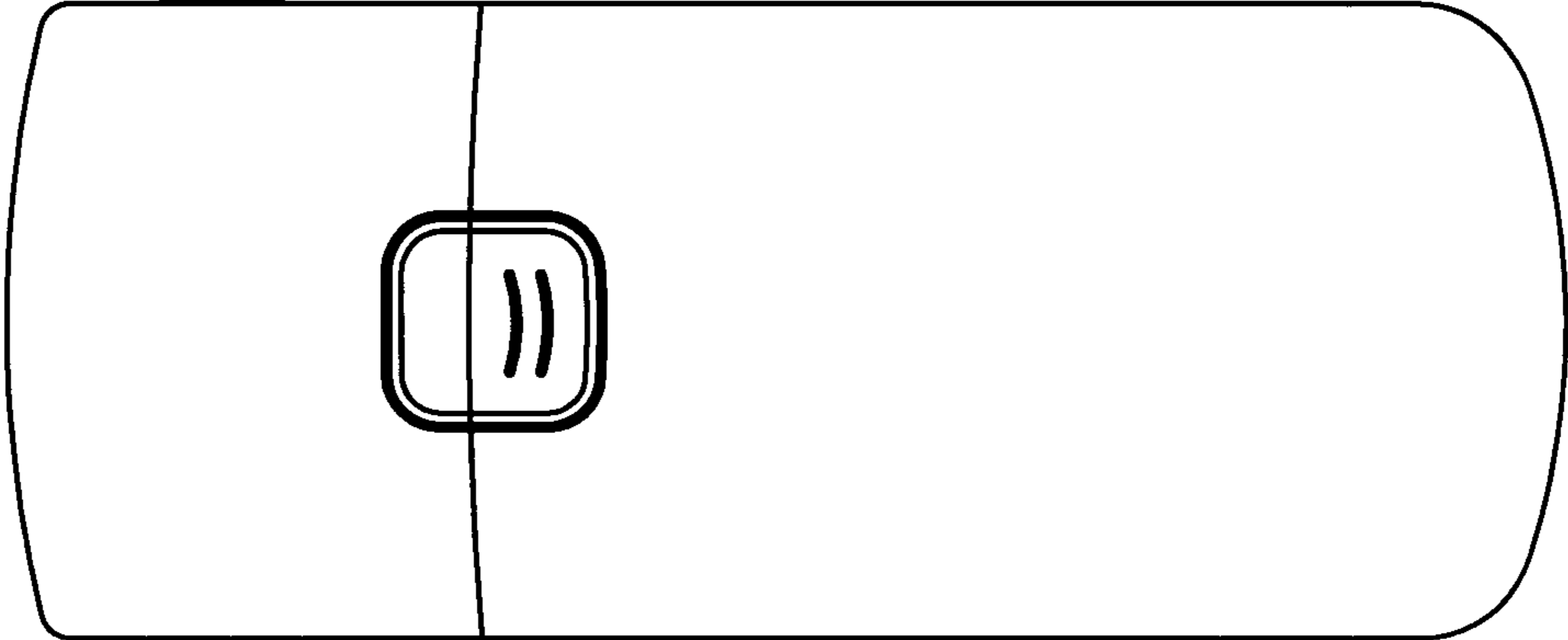


FIG. 4

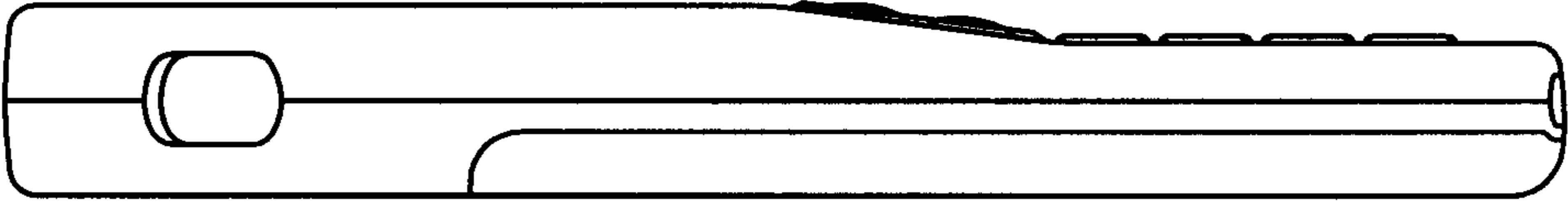


FIG. 5

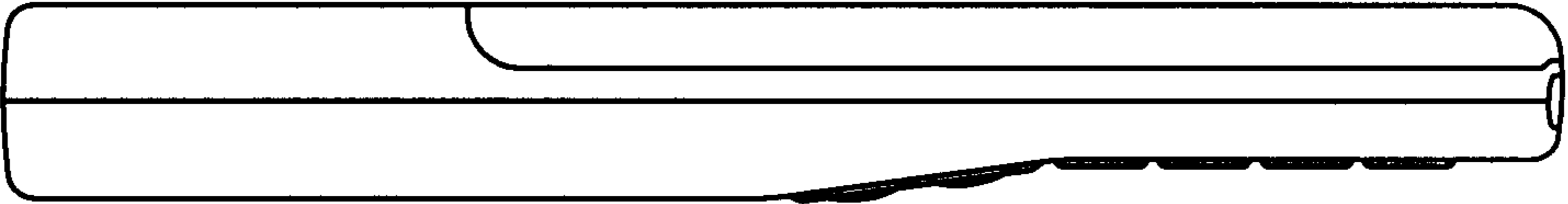


FIG. 6

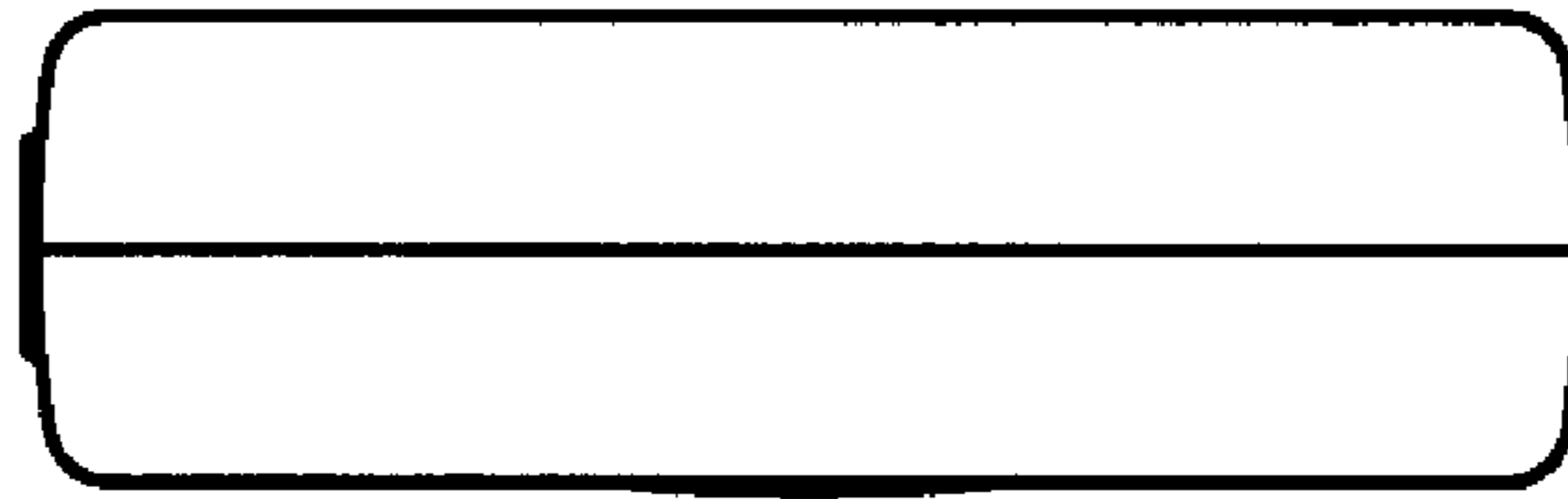


FIG. 7

