

US00D524271S

(12) **United States Design Patent**
Itai et al.

(10) **Patent No.:** **US D524,271 S**
(45) **Date of Patent:** **** Jul. 4, 2006**

(54) **DIGITAL VIDEO DISK RECORDER
COMBINED WITH HARD DISK VIDEO
RECORDER**

D466,876 S 12/2002 Usami et al.
D485,813 S * 1/2004 Winkler D14/136
D495,678 S * 9/2004 Uehara D14/168
D499,707 S 12/2004 Usami et al.

(75) Inventors: **Noriaki Itai**, Tochigi-ken (JP); **Harumi Sakamoto**, Tochigi-ken (JP); **Seiji Usami**, Tochigi-ken (JP)

OTHER PUBLICATIONS

Crutchfield Winter/Spring 2000, p. 147, JVC XV-511. XV-D701 DVD/CD players.*

(73) Assignee: **Sharp Corporation**, Osaka (JP)

U.S. Appl. No. 29/199,749 filed Feb. 20, 2004, Usami et al.

(**) Term: **14 Years**

* cited by examiner

(21) Appl. No.: **29/226,768**

Primary Examiner—Nanda Bondade

(22) Filed: **Apr. 1, 2005**

(74) *Attorney, Agent, or Firm*—Nixon & Vanderhye P.C.

(30) **Foreign Application Priority Data**

(57) **CLAIM**

Oct. 1, 2004 (JP) 2004-029857

The ornamental design for a “digital video disk recorder combined with hard disk video recorder,” as shown and described.

(51) **LOC (8) Cl.** **14-01**

DESCRIPTION

(52) **U.S. Cl.** **D14/136**

(58) **Field of Classification Search** D14/135-136, D14/156-157, 160-165, 167-168, 192-198, D14/188, 217, 257, 258, 445; 360/99.02, 360/99.07; 369/75.11, 75.21, 77.21, 77.11; 720/612, 619, 647, 655; 455/344, 347-351
See application file for complete search history.

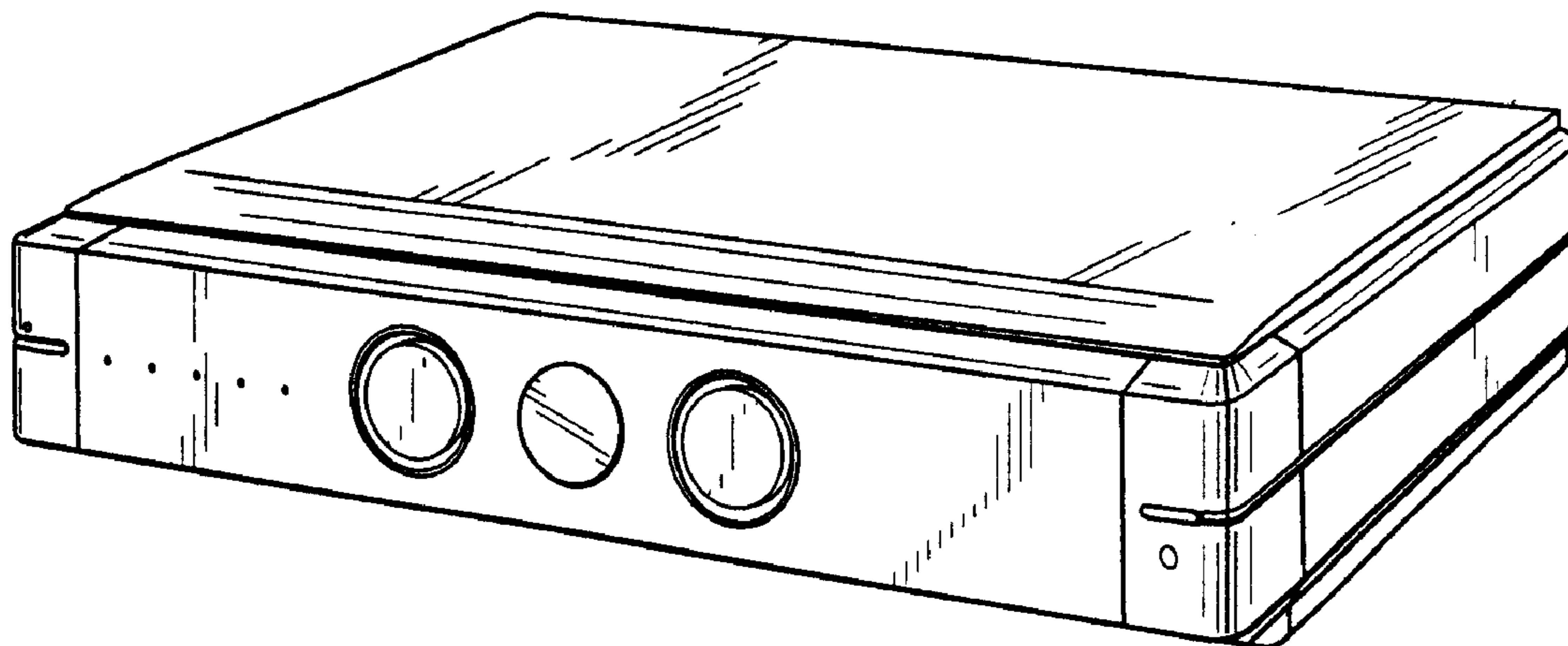
FIG. 1 is a top, front and right side perspective view of a digital video disk recorder combined with hard disk video recorder according to our design;
FIG. 2 is a front elevational view thereof;
FIG. 3 is a rear elevational view thereof;
FIG. 4 is a top plan view thereof;
FIG. 5 is a bottom plan view thereof;
FIG. 6 is a right side elevational view thereof; and,
FIG. 7 is a left side elevational view thereof.

(56) **References Cited**

U.S. PATENT DOCUMENTS

D410,919 S * 6/1999 Sato et al. D14/136
D459,321 S * 6/2002 Kojima et al. D14/136

1 Claim, 4 Drawing Sheets



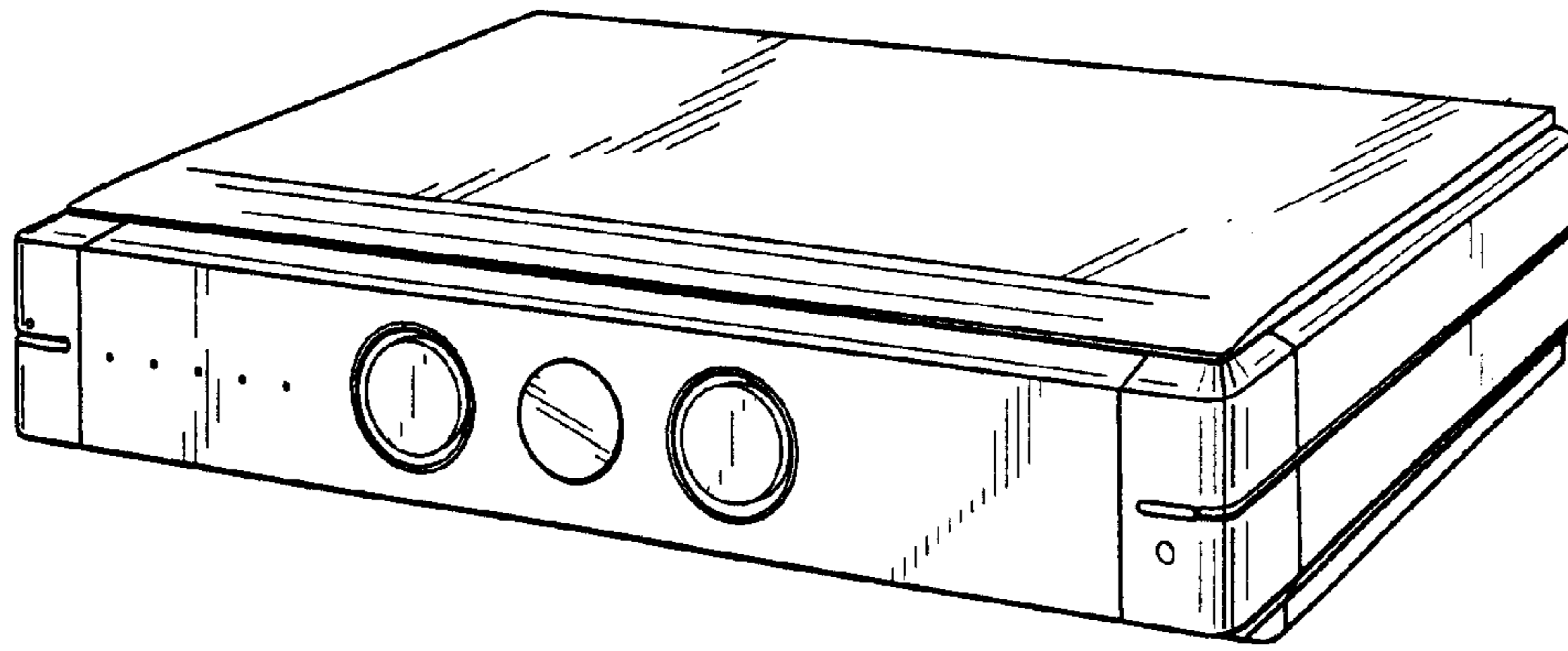


Fig. 1

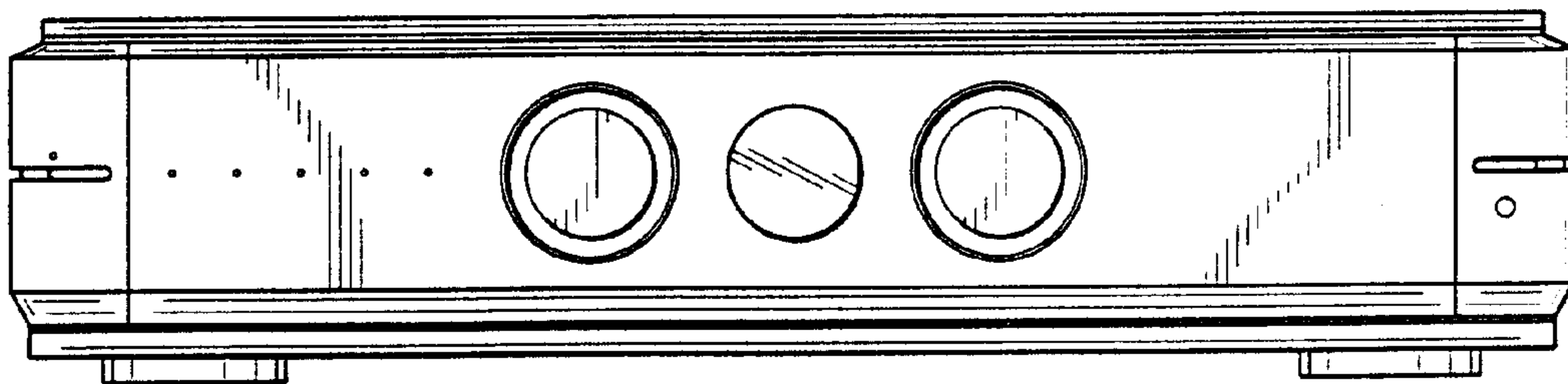


Fig. 2

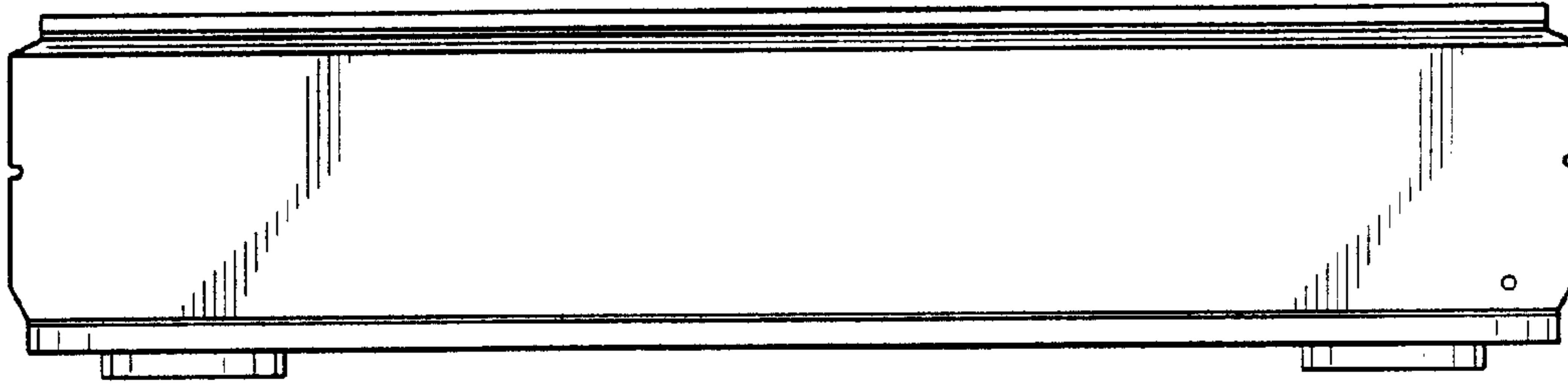


Fig. 3

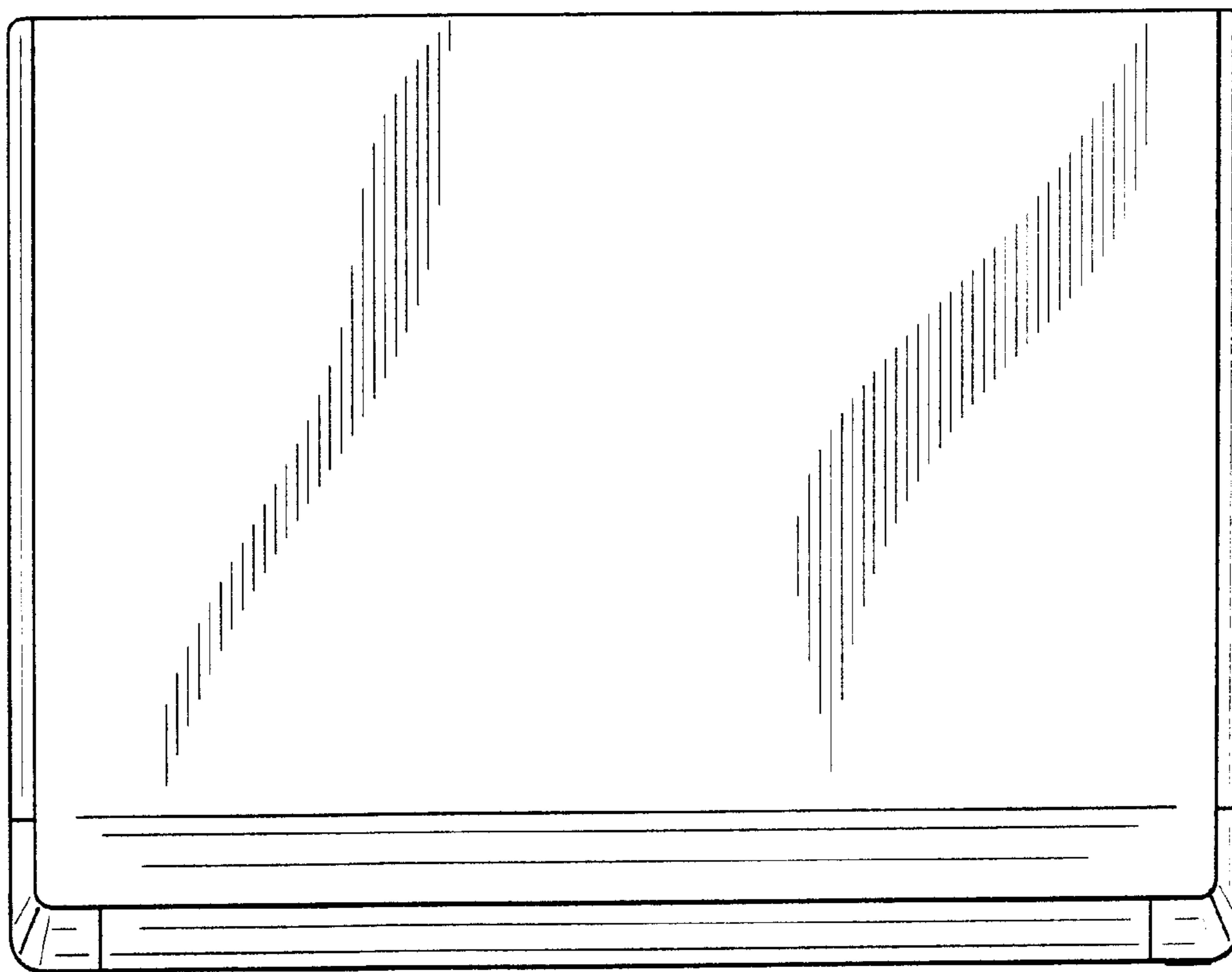


Fig. 4

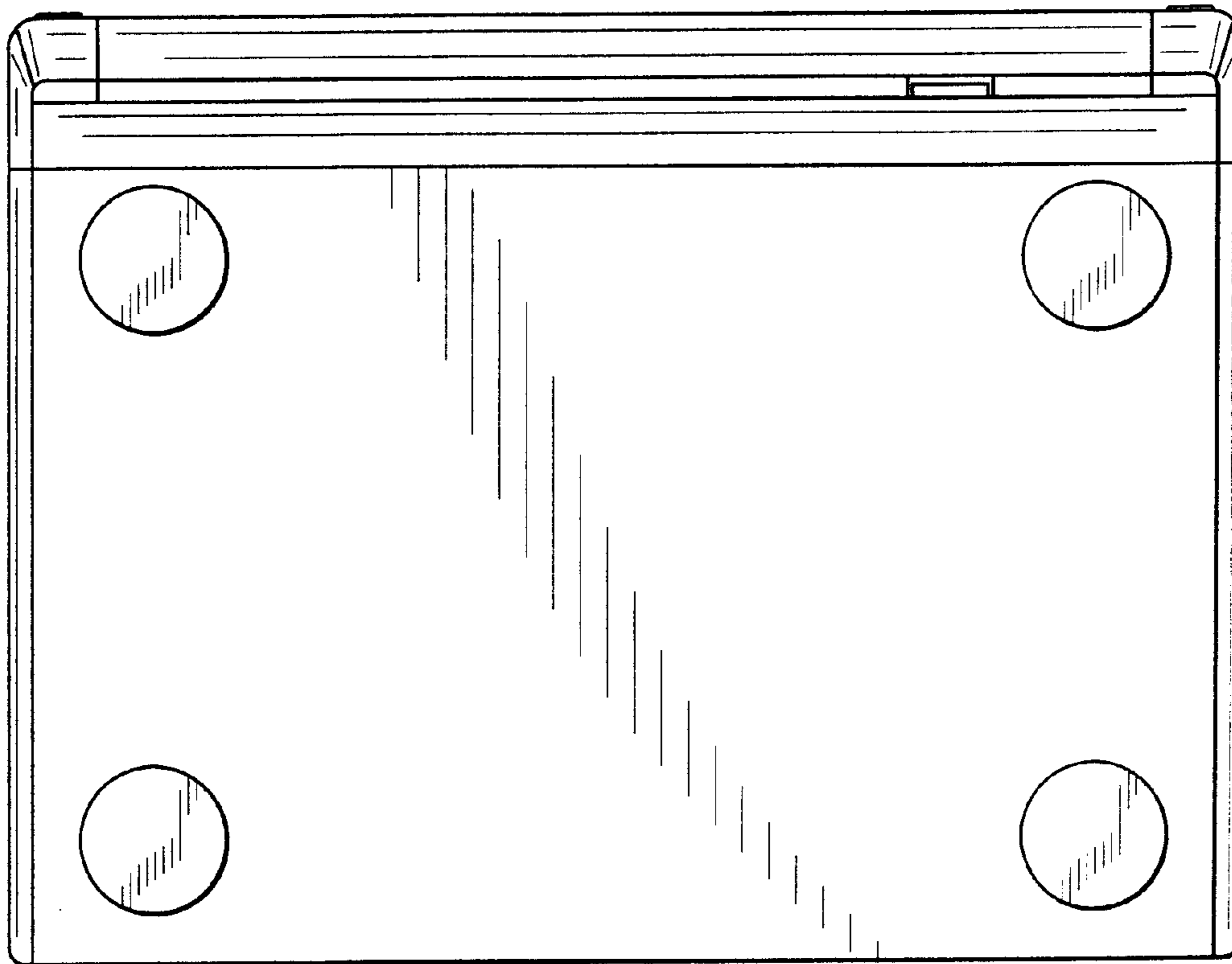


Fig. 5

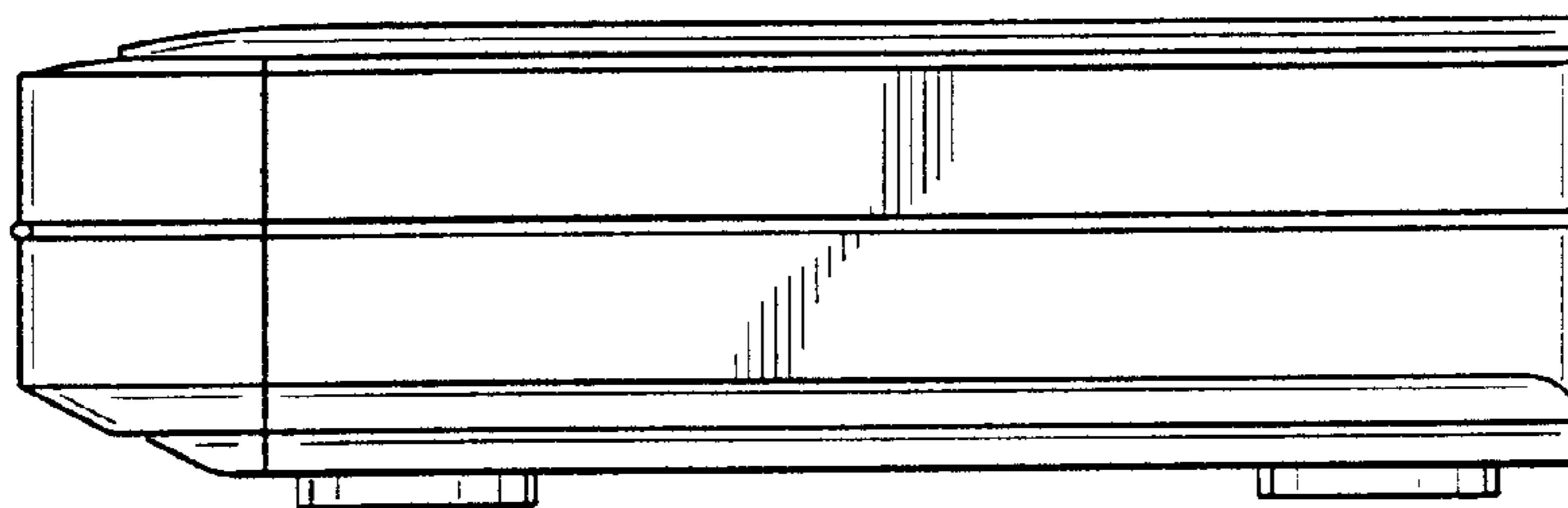


Fig. 6

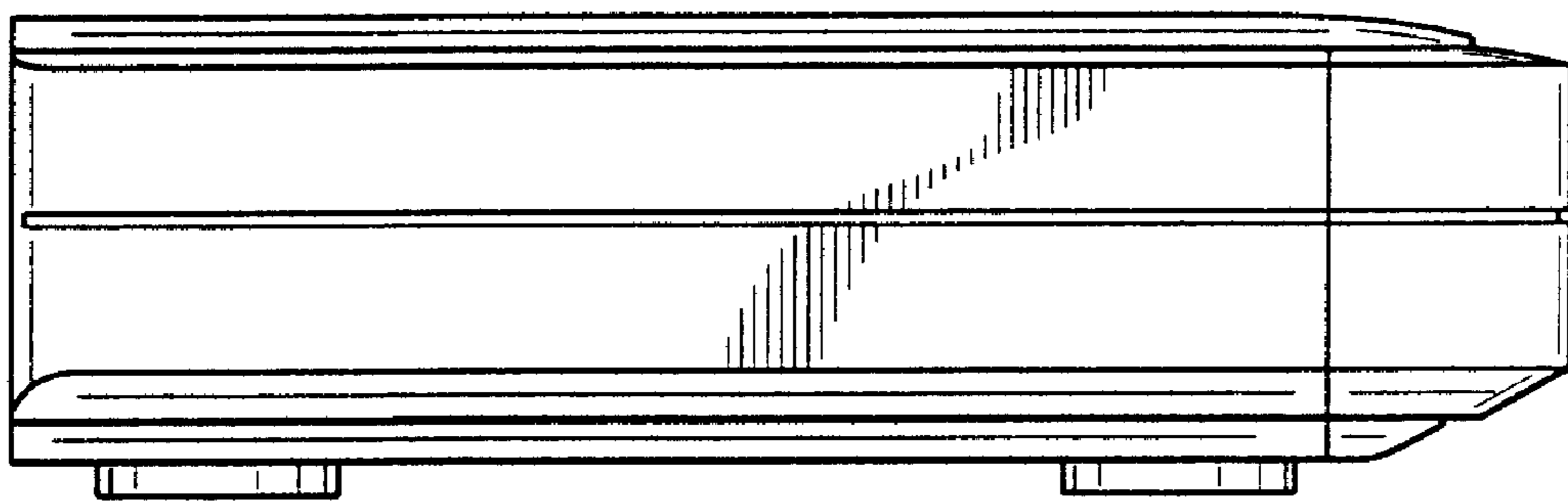


Fig. 7