



US00D524268S

(12) **United States Design Patent**
Reza

(10) **Patent No.:** **US D524,268 S**

(45) **Date of Patent:** **** Jul. 4, 2006**

(54) **TELEVISION SET**

(75) Inventor: **Ana Reza**, San Rafael, CA (US)

(73) Assignee: **Hannspree Inc.**, Taipei (TW)

(**) Term: **14 Years**

(21) Appl. No.: **29/231,613**

(22) Filed: **Jun. 7, 2005**

(30) **Foreign Application Priority Data**

Dec. 10, 2004 (TW) 93307531

(51) **LOC (8) Cl.** **14-03**

(52) **U.S. Cl.** **D14/126; D14/132**

(58) **Field of Classification Search** D14/125-134,
D14/239, 371, 136, 374-377; 312/7.2; 348/836,
348/838, 180, 184, 325, 739; 341/12; 248/917-924,
248/465; 345/104, 133, 156, 168, 87, 173;
720/605, 669, 600, 655; 369/99, 197; 455/344-347
See application file for complete search history.

(56) **References Cited**

U.S. PATENT DOCUMENTS

D209,710 S * 12/1967 Bruce D14/133
D224,159 S * 7/1972 Griffin D14/133
D224,346 S * 7/1972 Nakamura D14/126
D224,401 S * 7/1972 Fujita D23/207
D224,792 S * 9/1972 Know, Jr. D14/126
D330,710 S * 11/1992 Lee D14/126

D424,534 S * 5/2000 Priestman et al. D14/374
D439,621 S * 3/2001 Podd et al. D21/329
D469,089 S * 1/2003 Lin D14/371
D469,093 S * 1/2003 Lin D14/375
D469,744 S * 2/2003 Lam D14/126
D476,654 S * 7/2003 Zuege et al. D21/515
D488,812 S * 4/2004 Chiu D14/375

* cited by examiner

Primary Examiner—Raphael Barkai

(74) *Attorney, Agent, or Firm*—Thomas, Kayden,
Horstemeyer & Risley

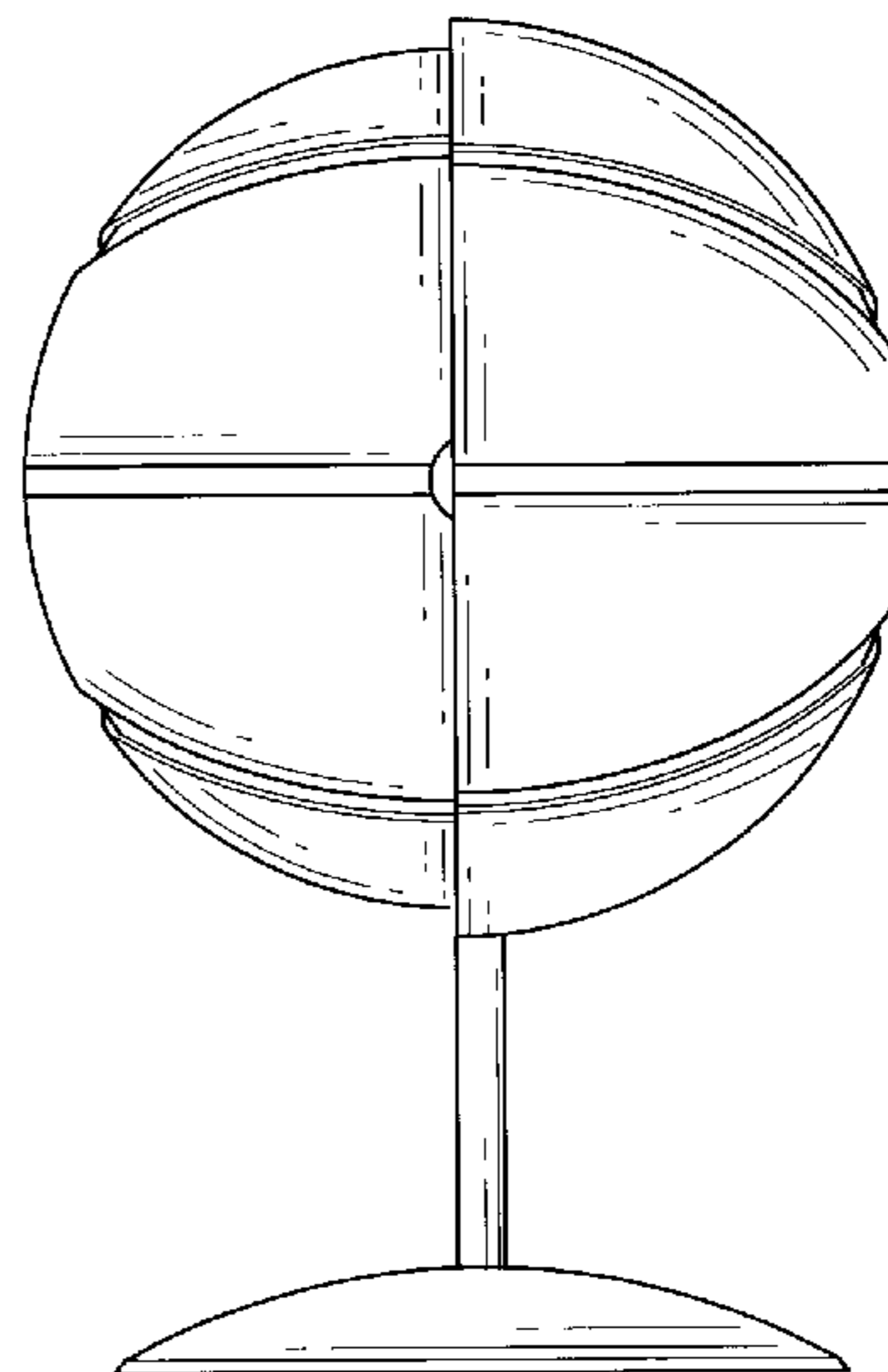
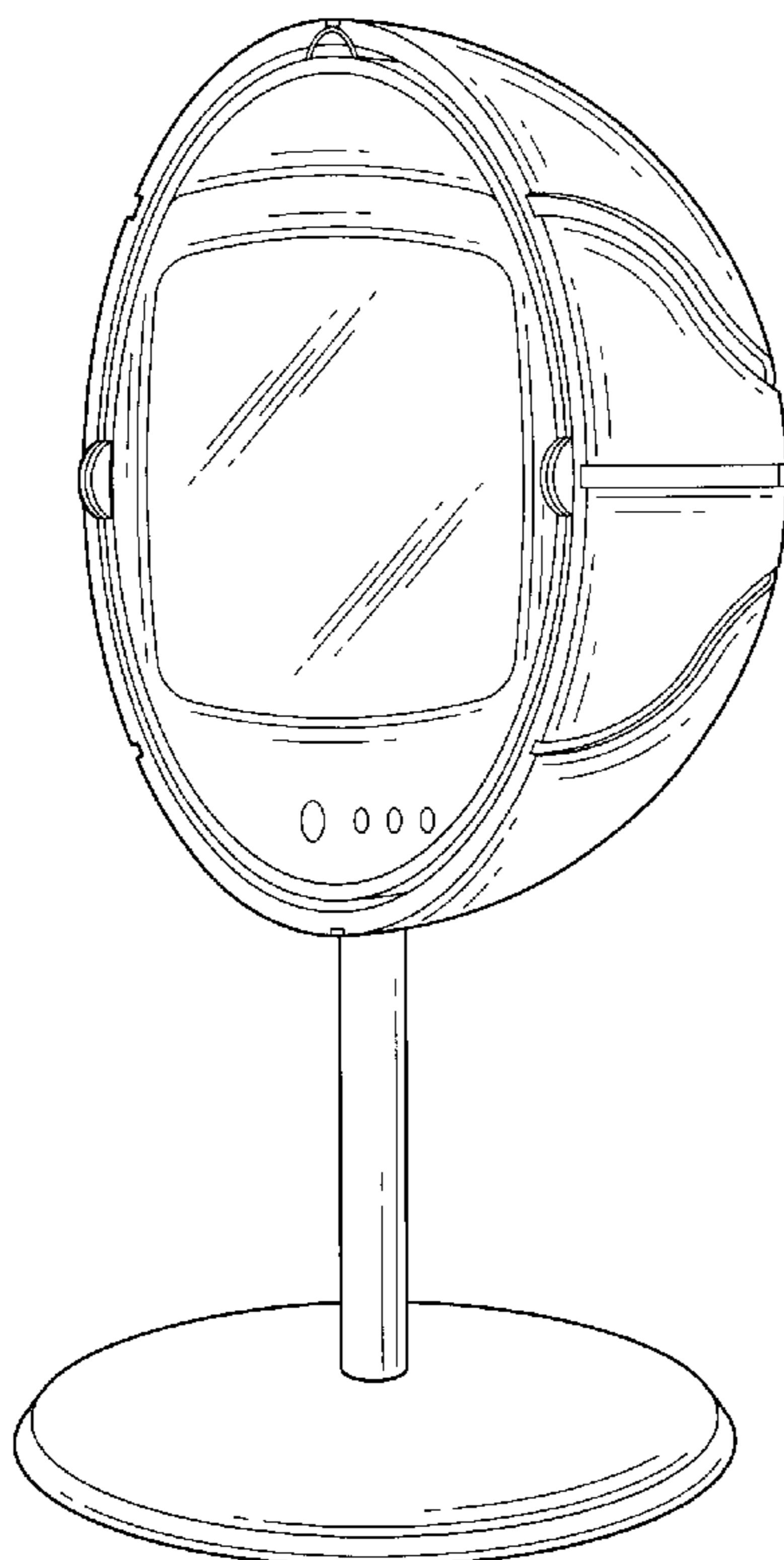
(57) **CLAIM**

The ornamental design for a television set, as shown and described.

DESCRIPTION

FIG. 1 is a front perspective view thereof;
FIG. 2 is a front elevational view thereof;
FIG. 3 is a rear elevational view thereof;
FIG. 4 is a left side elevational view thereof;
FIG. 5 is a right side elevational view thereof;
FIG. 6 is a top plan view thereof;
FIG. 7 is a bottom plan view thereof;
FIG. 8 is a left side elevational view in a closed state thereof;
and,
FIG. 9 is a right side elevational view in a half-open state thereof.

1 Claim, 5 Drawing Sheets



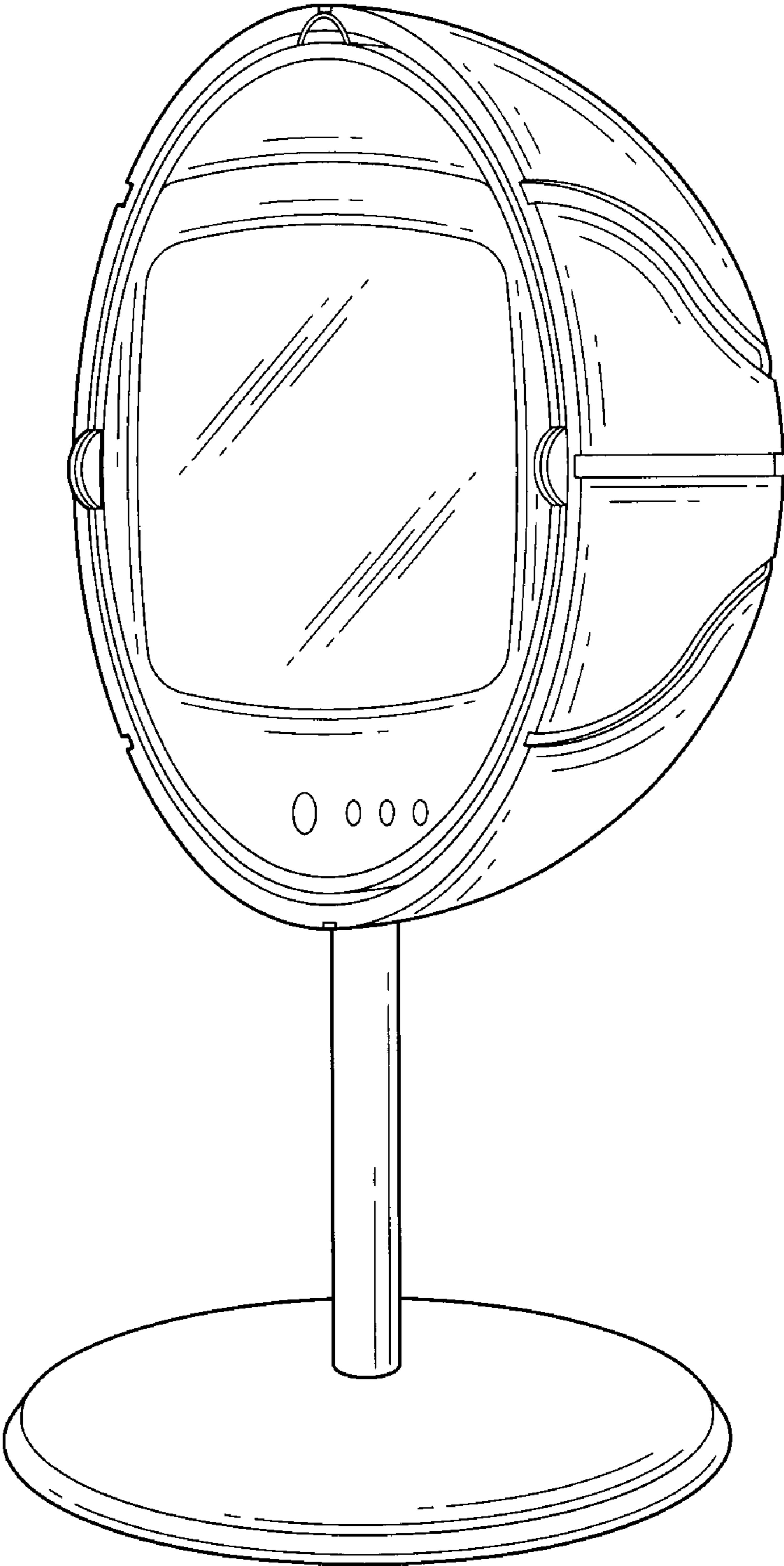


FIG. 1

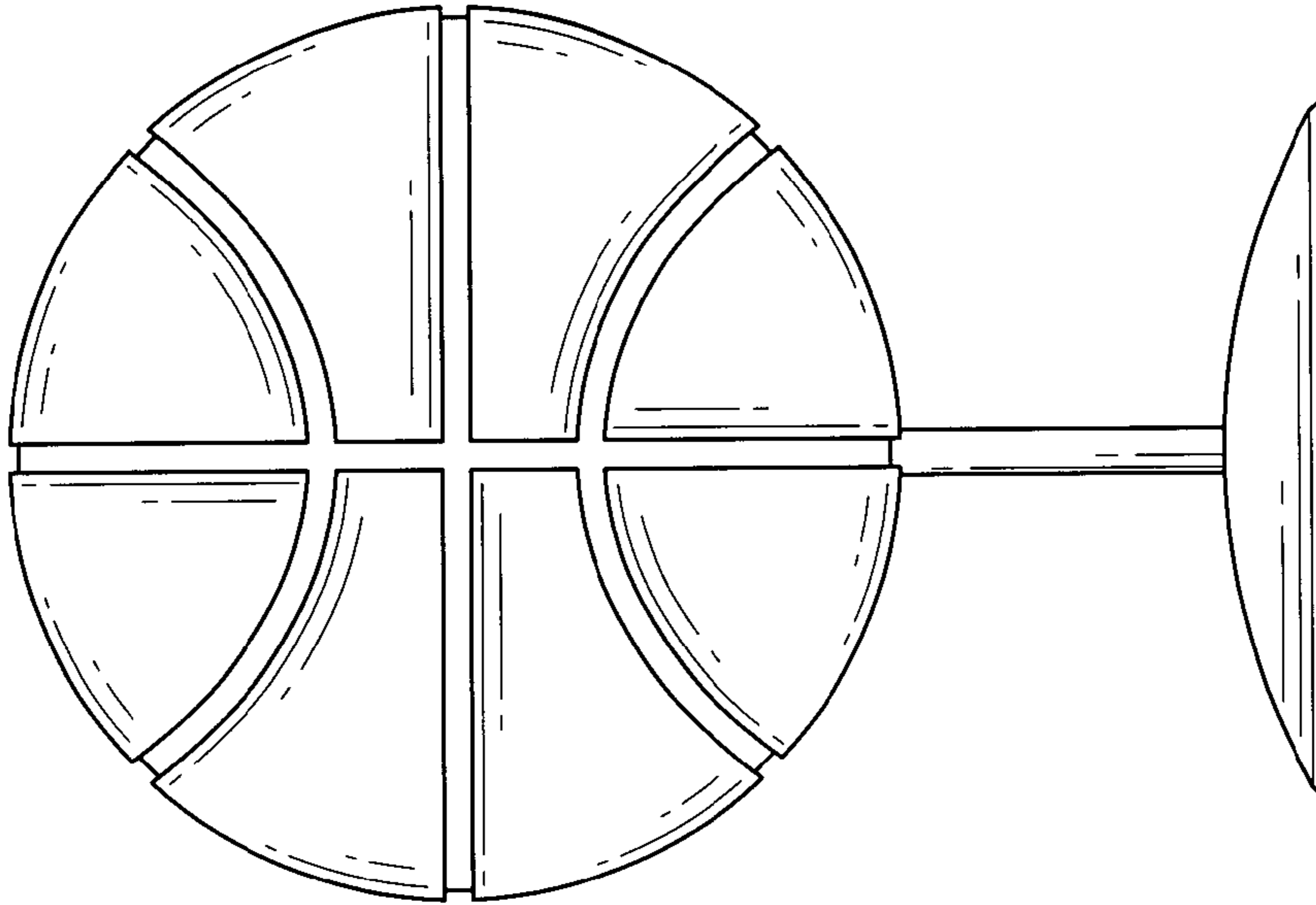


FIG. 3

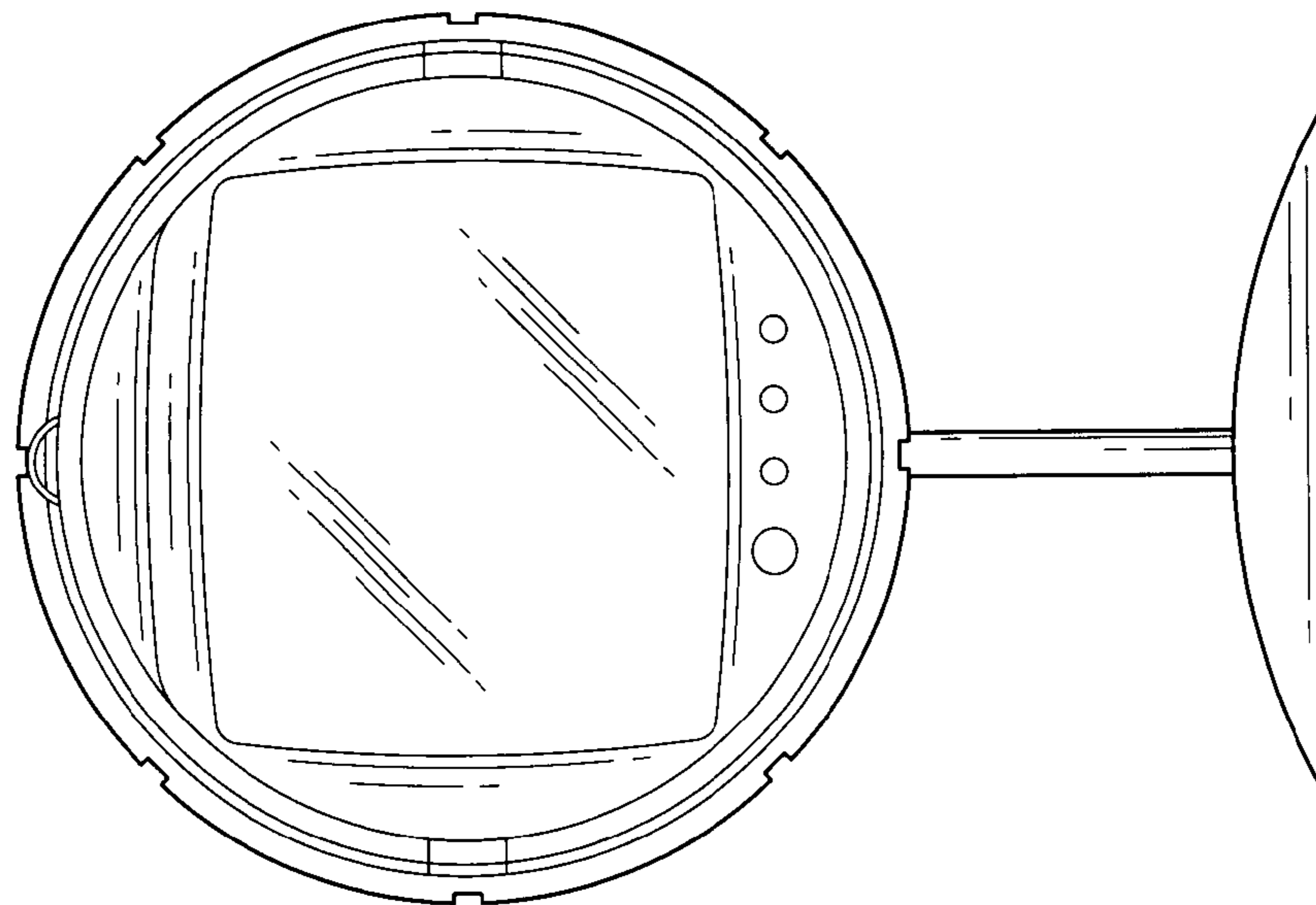


FIG. 2

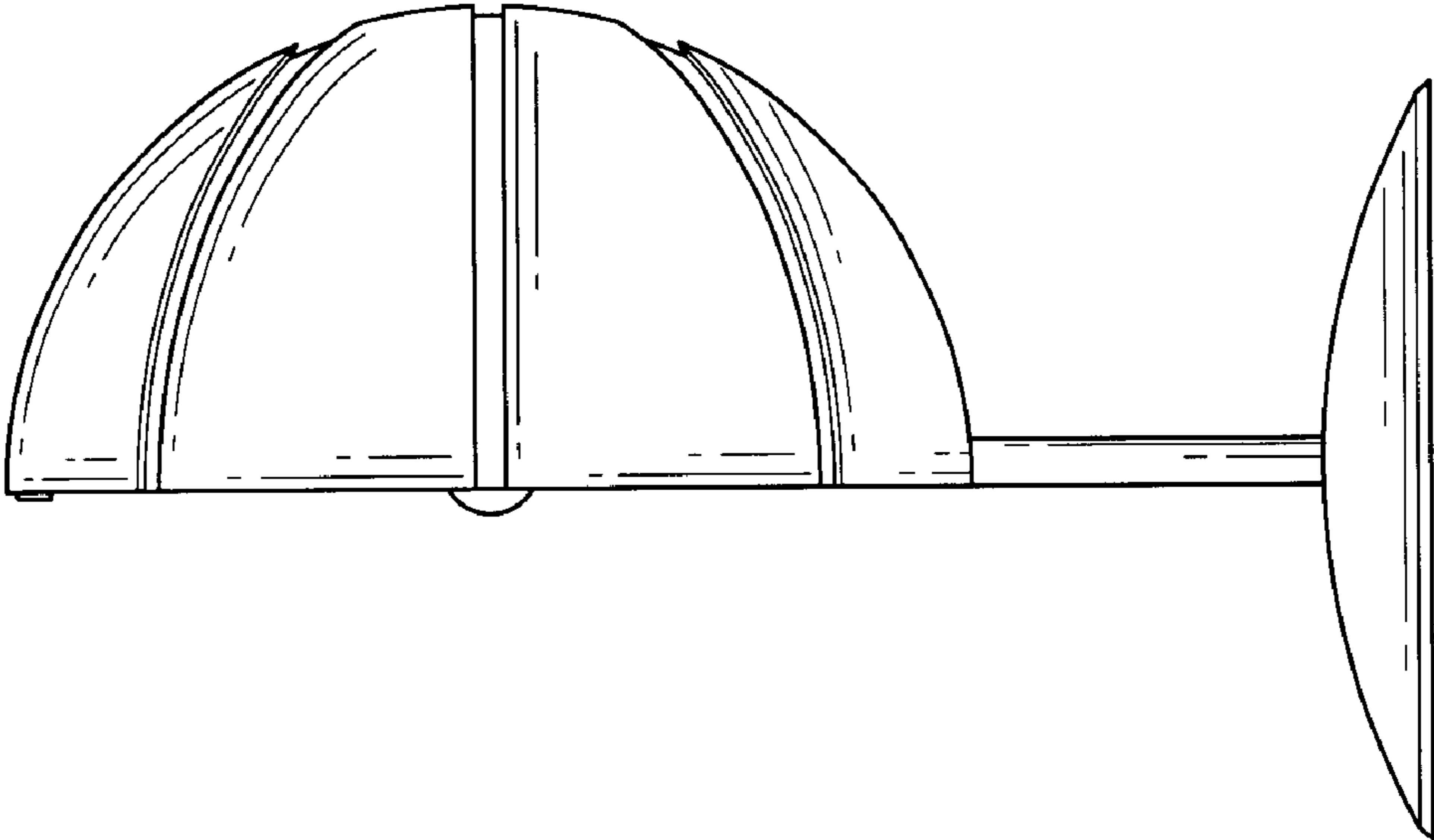


FIG. 5

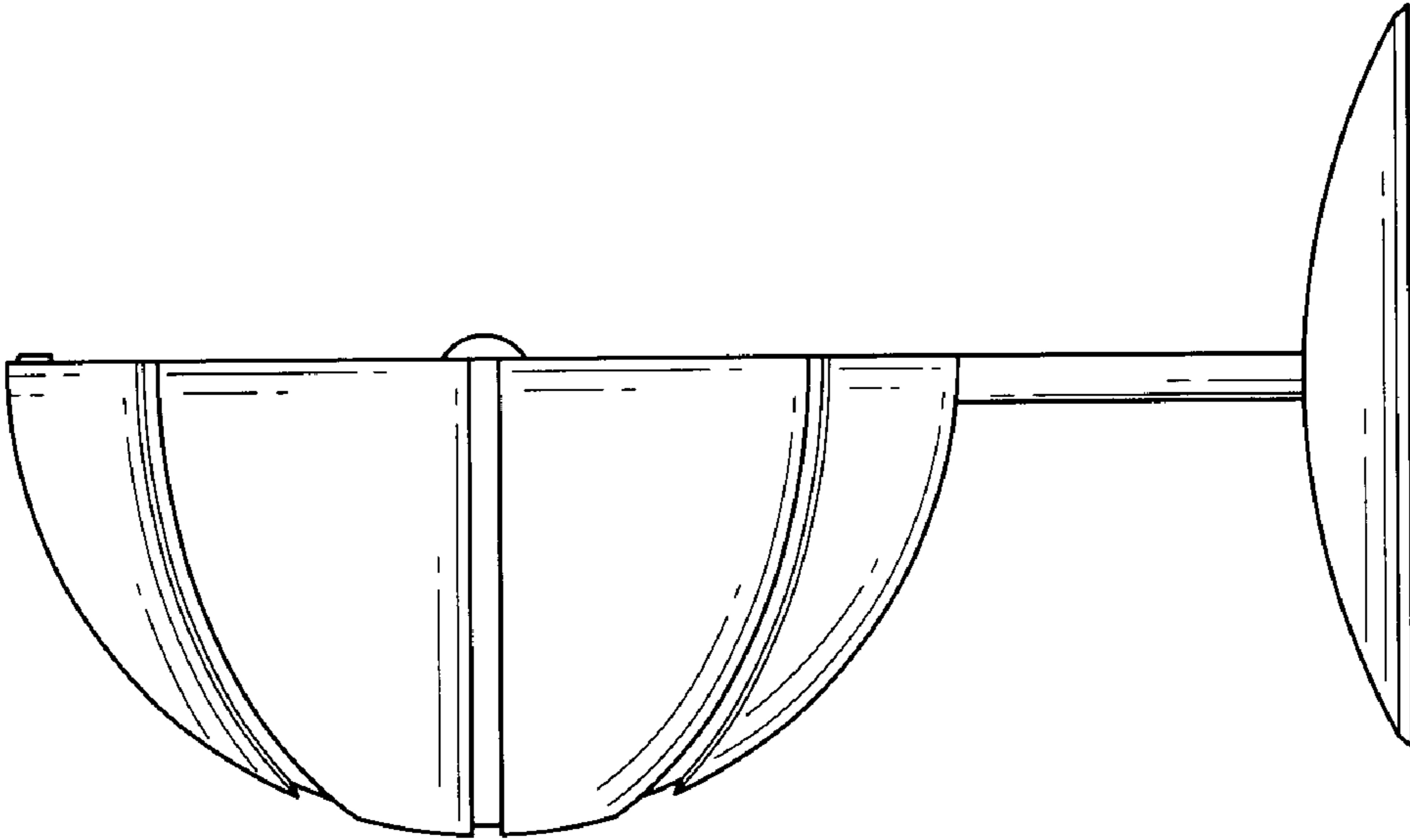


FIG. 4

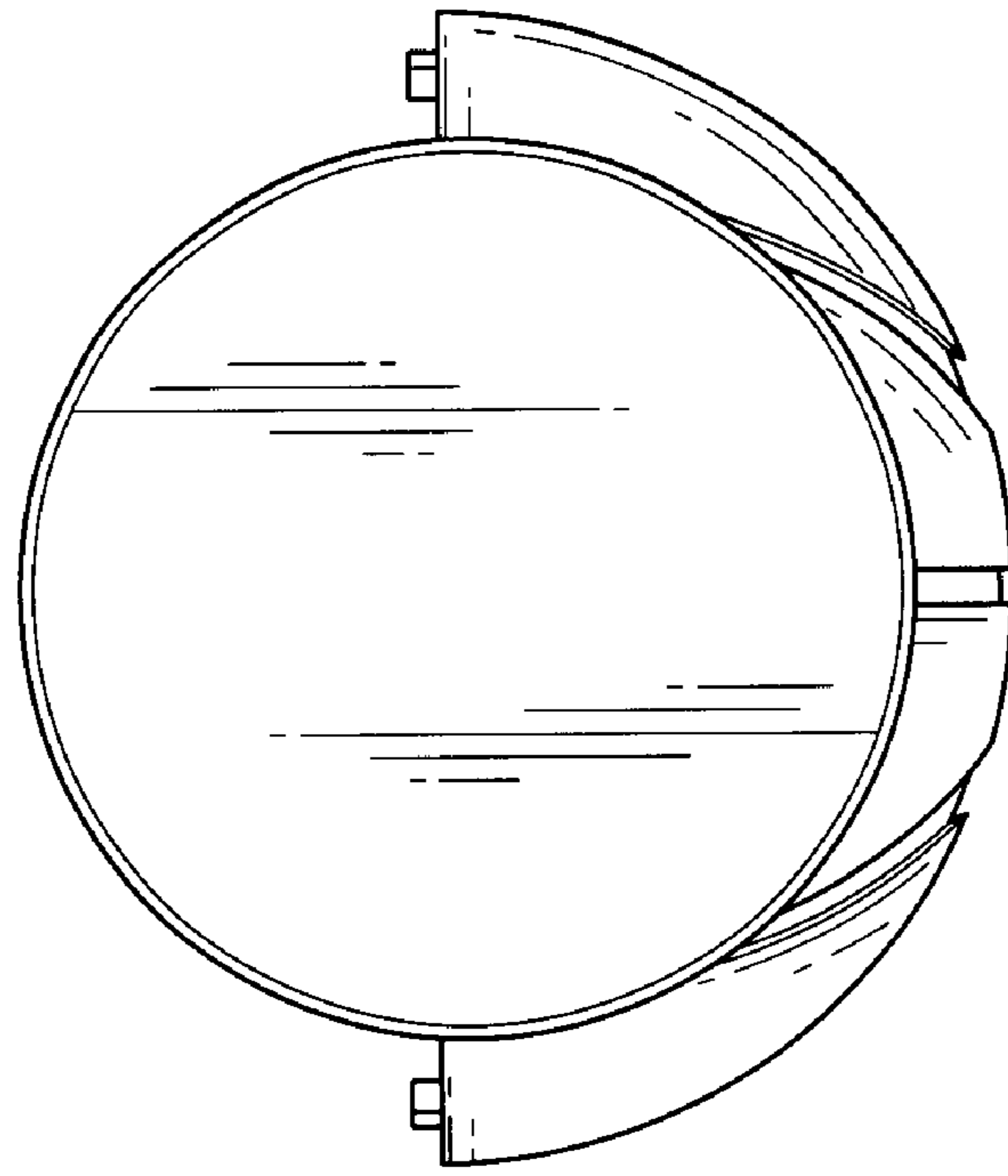


FIG. 7

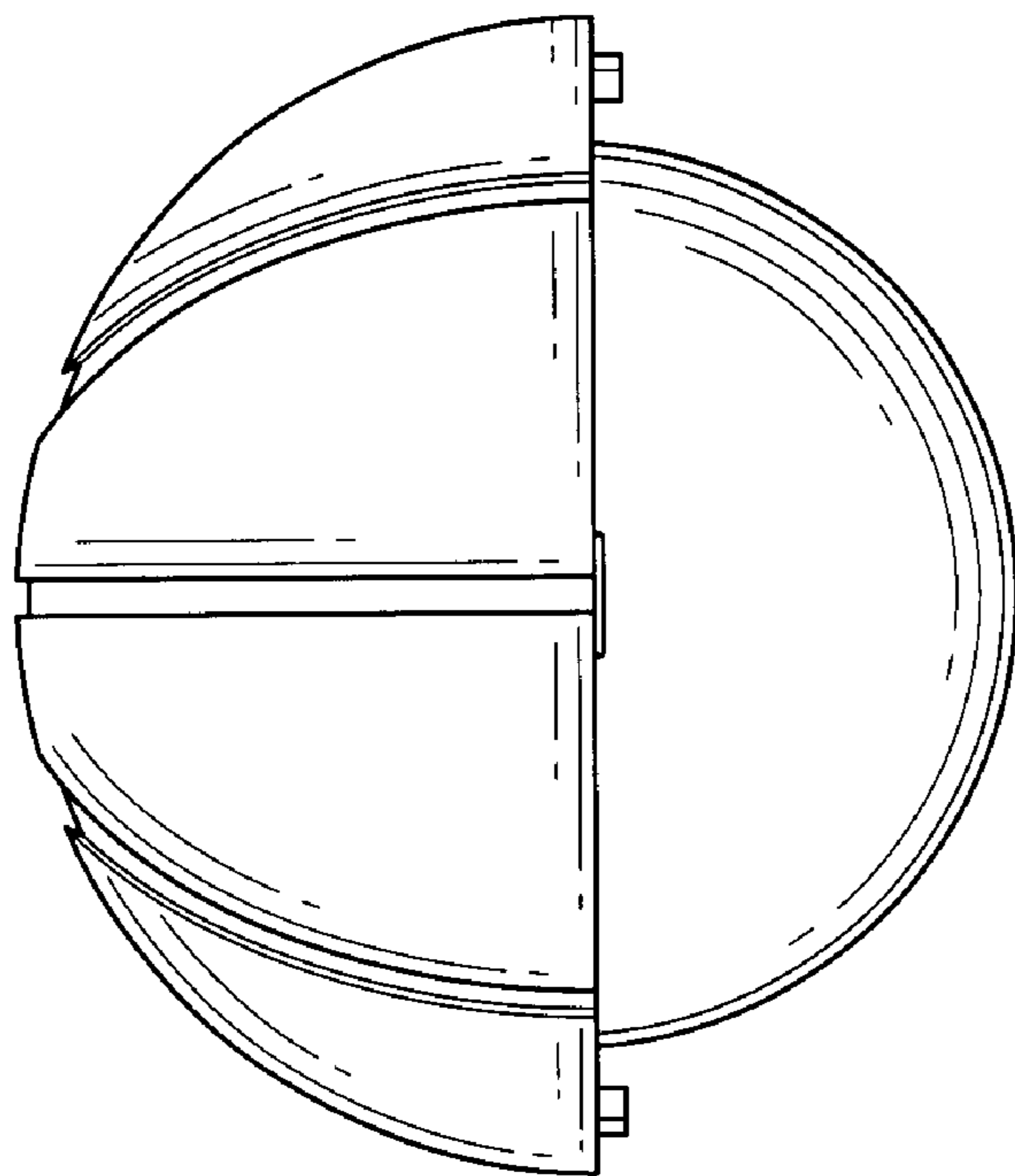


FIG. 6

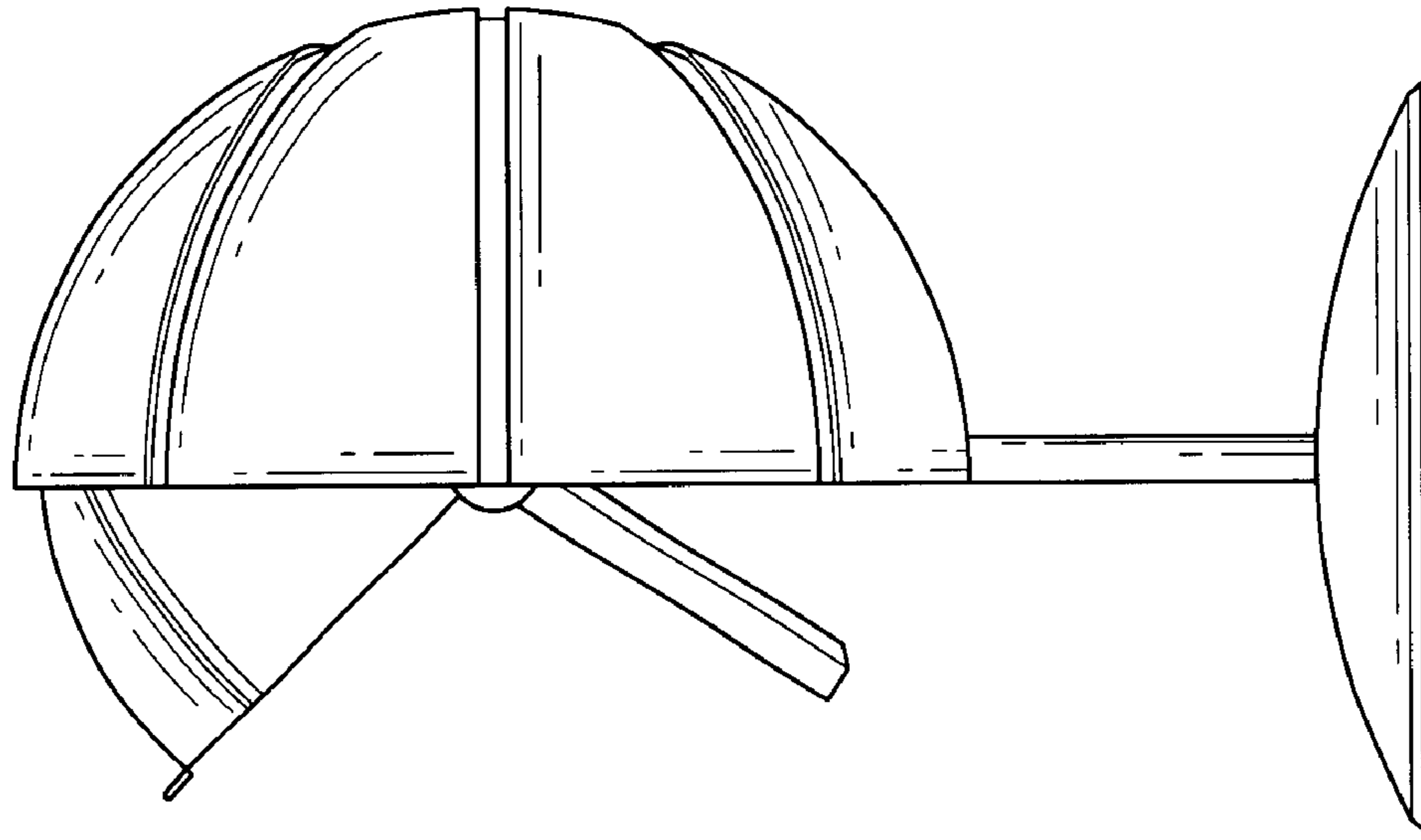


FIG. 9

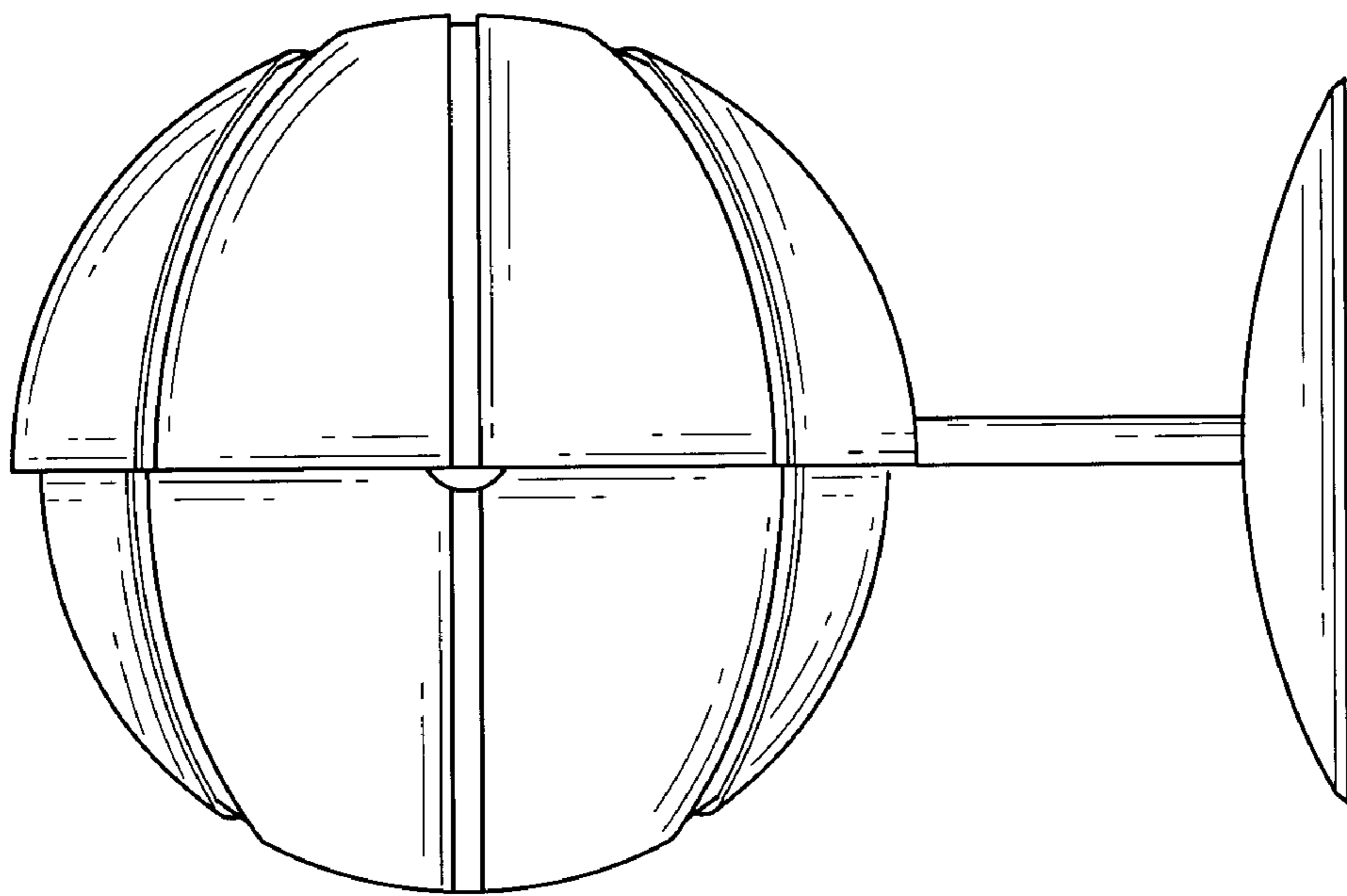


FIG. 8