

US00D524266S

(12) **United States Design Patent**
Lin

(10) **Patent No.:** **US D524,266 S**
(45) **Date of Patent:** **** Jul. 4, 2006**

(54) **TELEVISION SET**

(75) Inventor: **Roger Lin**, Taipei (TW)

(73) Assignee: **Hannspree, Inc.**, Taipei (TW)

(**) Term: **14 Years**

(21) Appl. No.: **29/231,596**

(22) Filed: **Jun. 8, 2005**

(30) **Foreign Application Priority Data**

Dec. 10, 2004 (TW) 93307566

(51) **LOC (8) Cl.** **14-03**

(52) **U.S. Cl.** **D14/126**

(58) **Field of Classification Search** D14/125-134,
D14/239, 371, 136, 374-377; 312/7.2; 348/836,
348/838, 180, 184, 325, 739; 341/12; 248/917-924,
248/465; 345/104, 133, 156, 168, 87, 173;
720/605, 669, 600, 655; 369/99, 197; 455/344-347
See application file for complete search history.

(56) **References Cited**

U.S. PATENT DOCUMENTS

D462,074 S * 8/2002 Kim D14/375

D473,867 S * 4/2003 Lin D14/371

D475,048 S * 5/2003 Wu et al. D14/374
D478,904 S * 8/2003 Koo et al. D14/375
D483,364 S * 12/2003 Olson et al. D14/375
D484,130 S * 12/2003 Olson et al. D14/375
D484,131 S * 12/2003 Olson et al. D14/375
D489,371 S * 5/2004 Sarman D14/371
D491,901 S * 6/2004 Chin et al. D14/134
D502,452 S * 3/2005 Peng D14/126

* cited by examiner

Primary Examiner—Raphael Barkai

(74) *Attorney, Agent, or Firm*—Troxell Law Office, PLLC

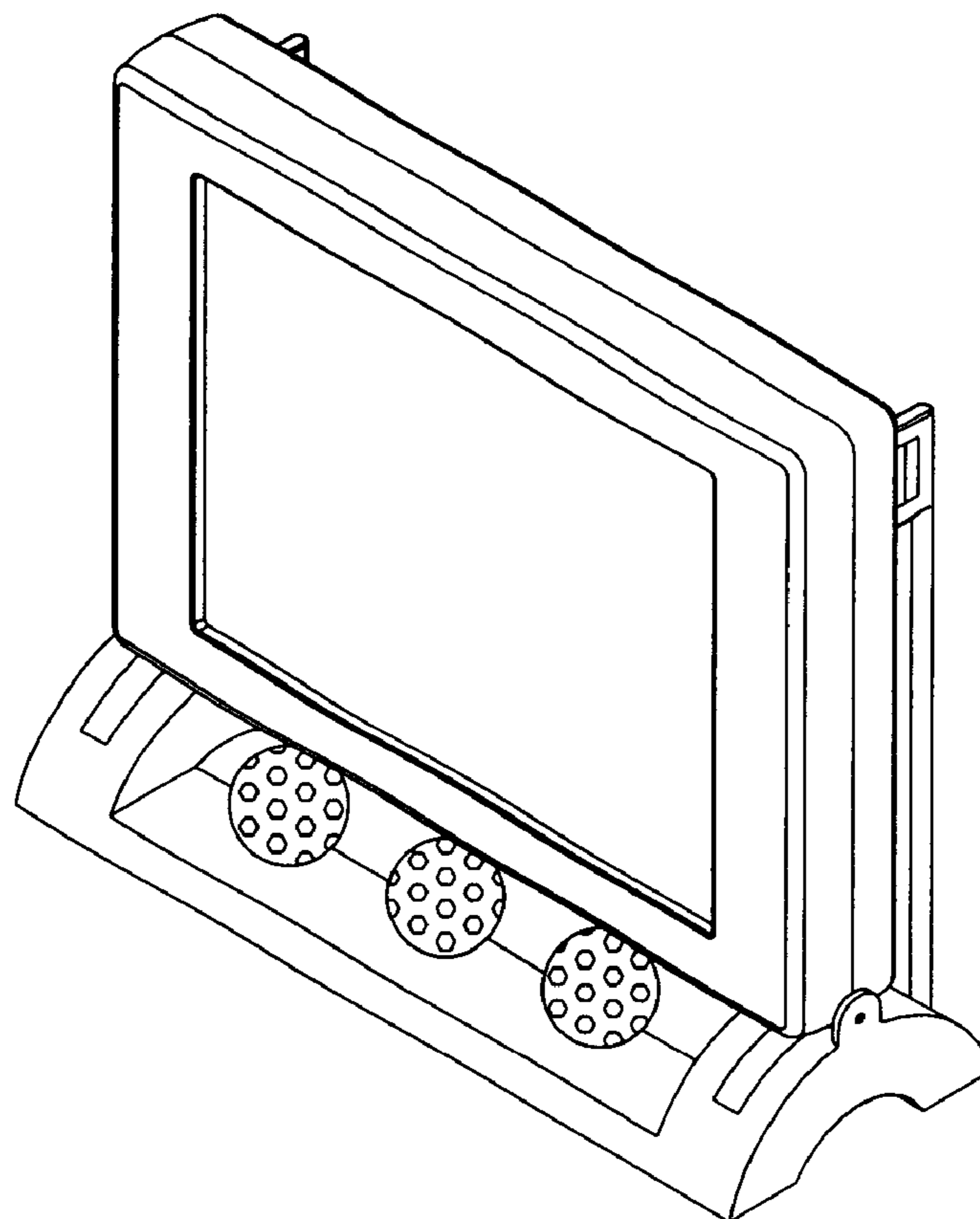
(57) **CLAIM**

The ornamental design for a television set, as shown and described.

DESCRIPTION

FIG. 1 is a perspective view of television set showing my design;
FIG. 2 is front view thereof;
FIG. 3 is a rear view thereof;
FIG. 4 is a left side view thereof;
FIG. 5 is a right side view thereof;
FIG. 6 is a top view thereof; and,
FIG. 7 is a bottom view thereof.

1 Claim, 4 Drawing Sheets



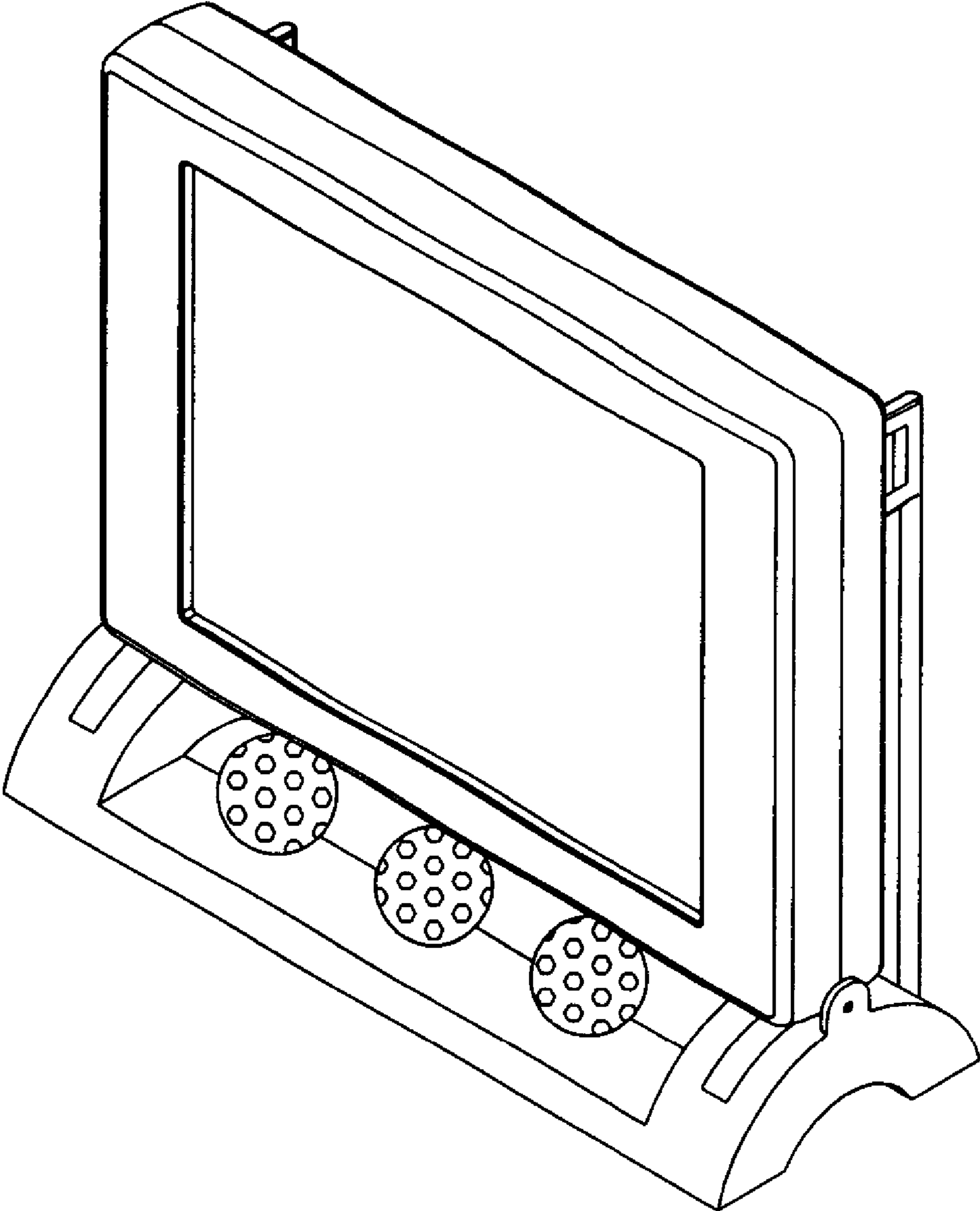


FIG. 1

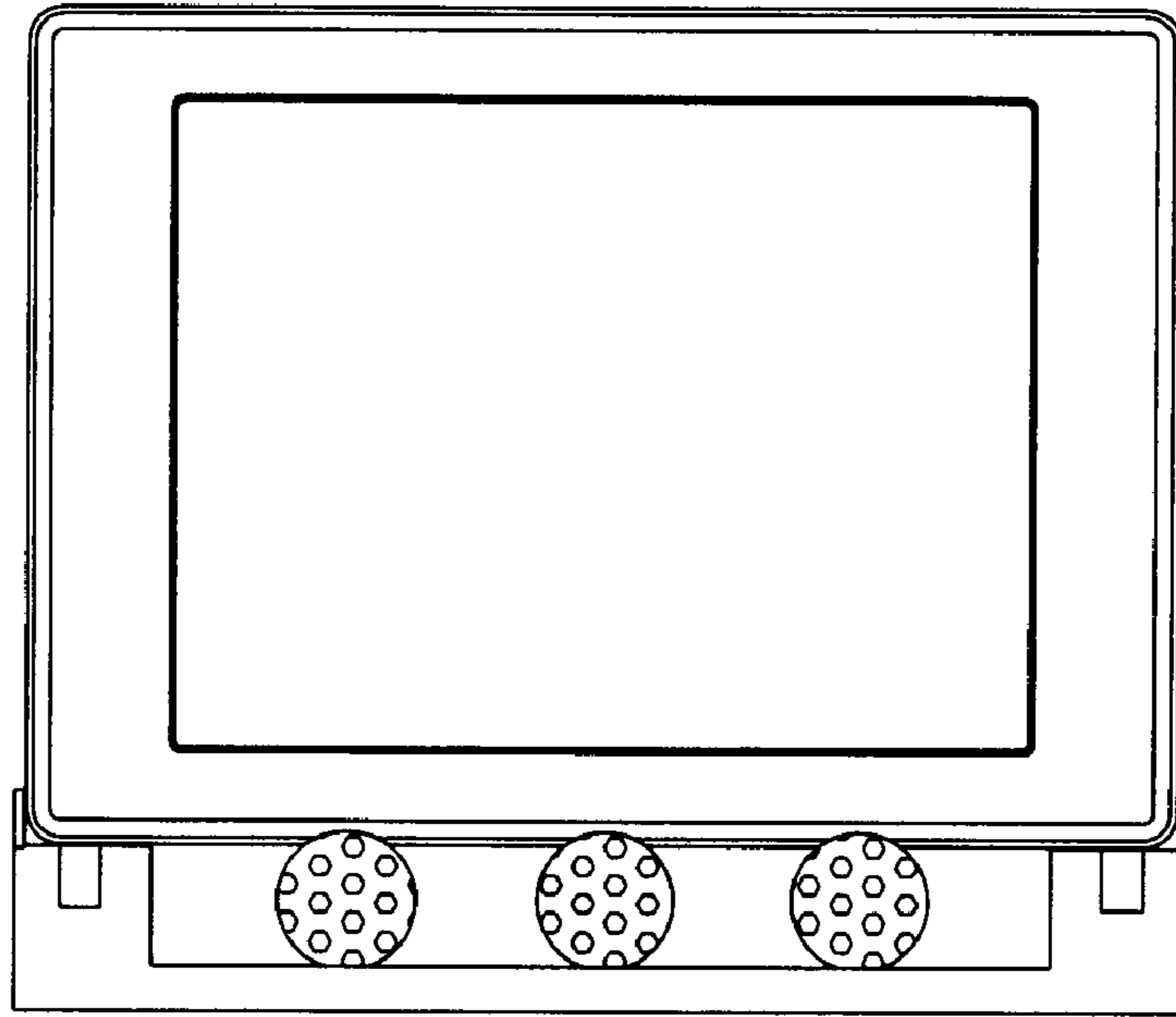


FIG. 2

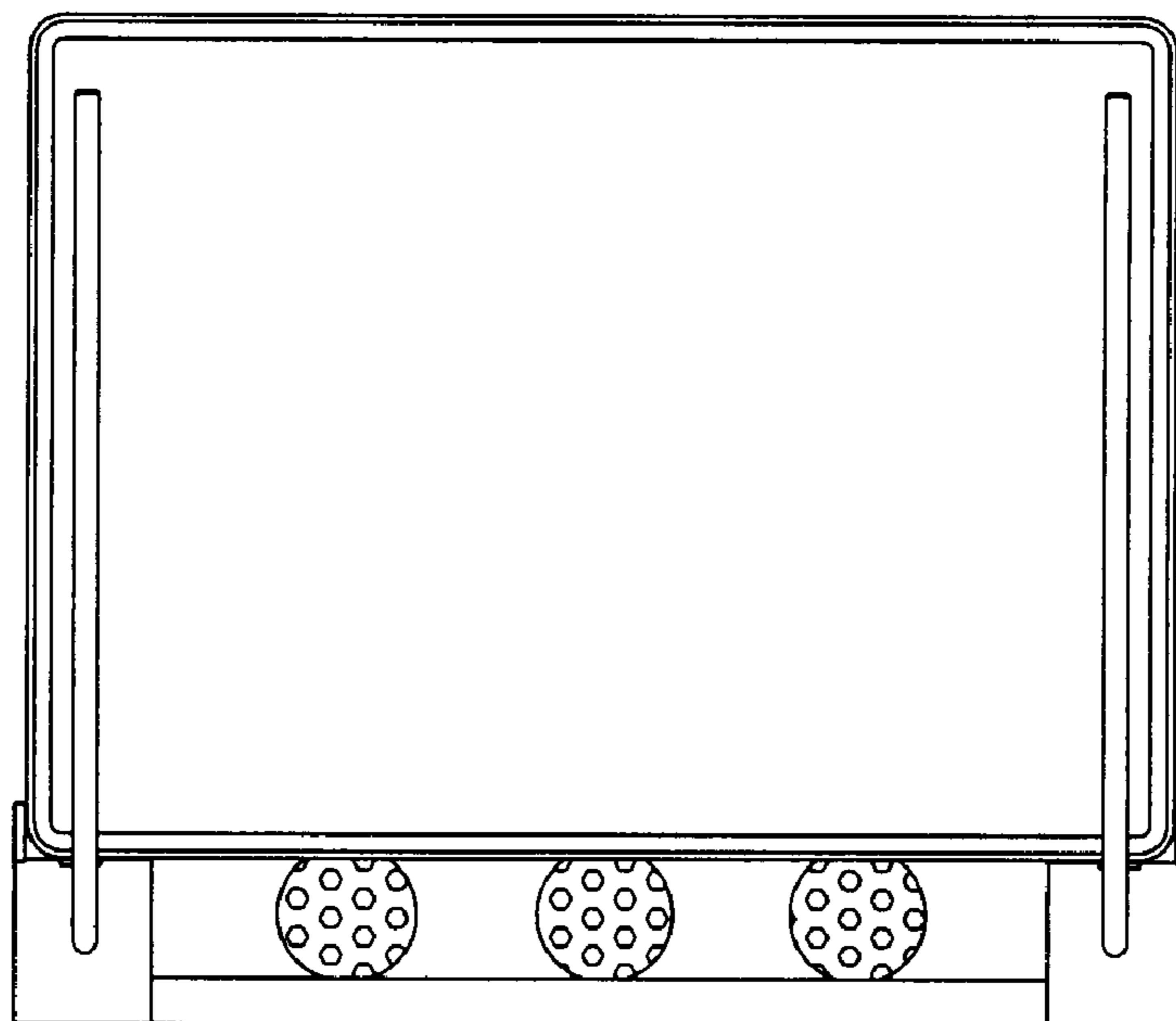


FIG. 3

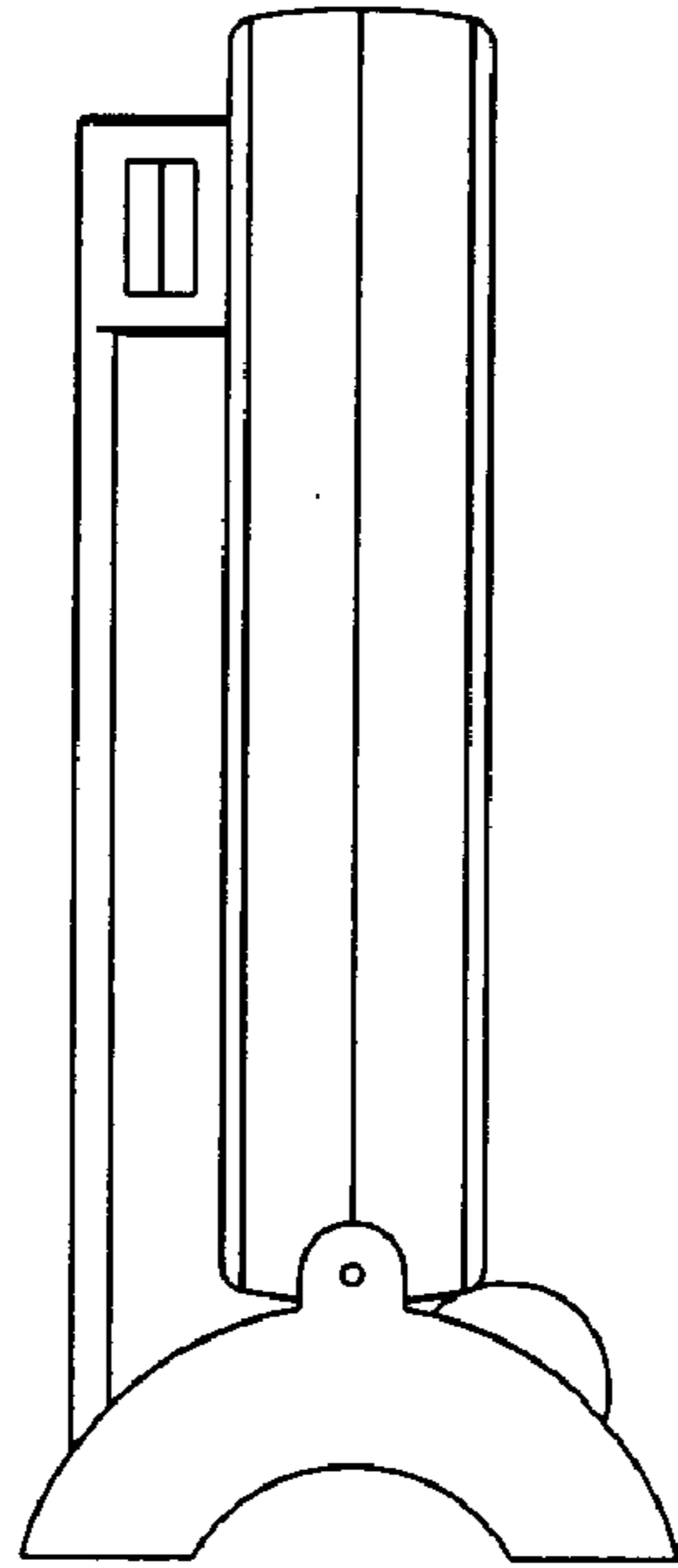


FIG. 4

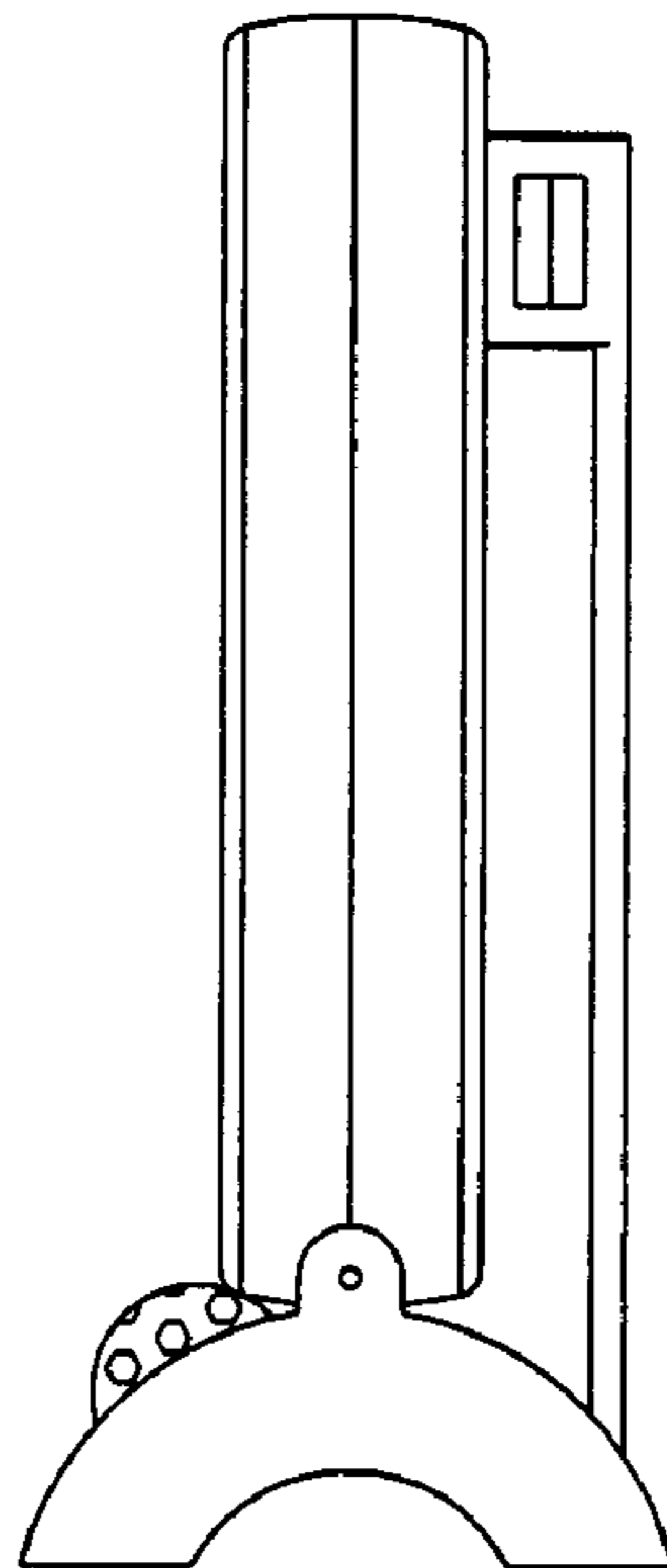


FIG. 5

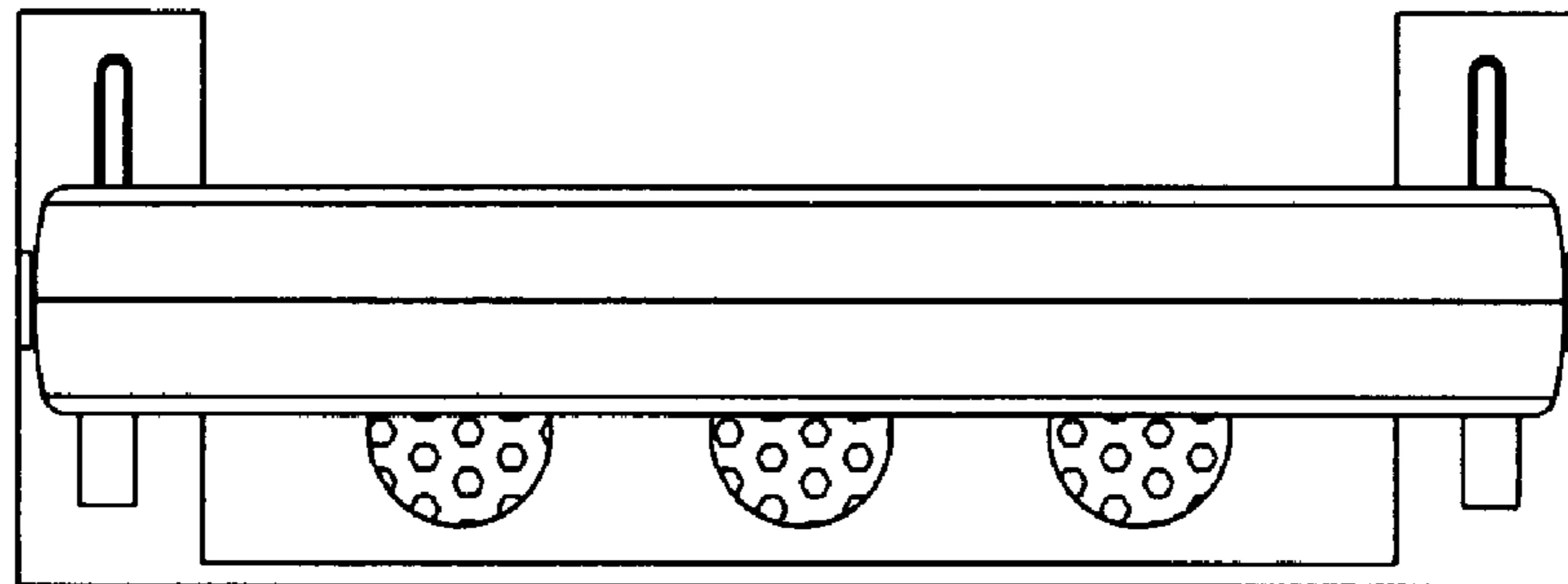


FIG. 6

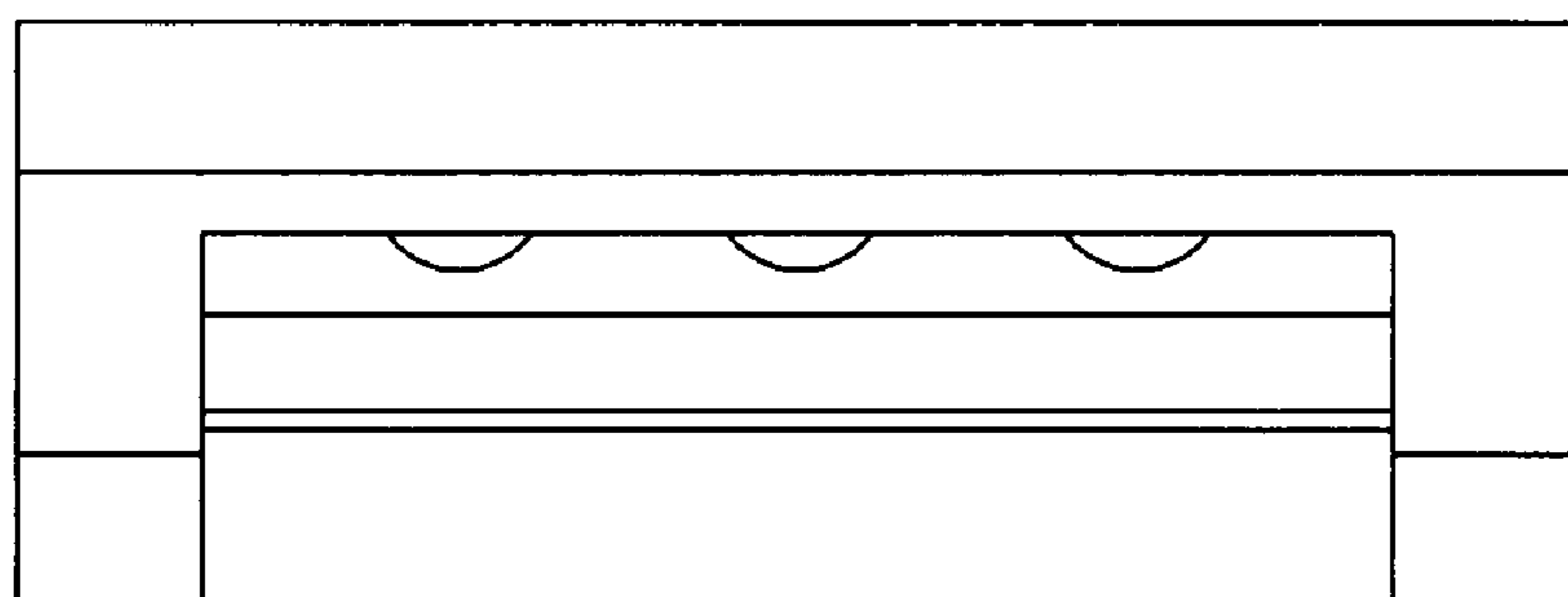


FIG. 7