



US00D524260S

(12) **United States Design Patent**  
**Ishizaka et al.**

(10) **Patent No.:** **US D524,260 S**

(45) **Date of Patent:** **\*\* Jul. 4, 2006**

(54) **LIGHT EMITTING DIODE**

(75) Inventors: **Mitsunori Ishizaka**,  
Fujikawaguchiko-machi (JP); **Hirohiko**  
**Ishii**, Fujikawaguchihiko-machi (JP)

(73) Assignee: **Citizen Electronics Co., Ltd.**,  
Yamanashi (JP)

(\*\*) Term: **14 Years**

(21) Appl. No.: **29/223,600**

(22) Filed: **Feb. 17, 2005**

(30) **Foreign Application Priority Data**

Aug. 20, 2004 (JP) ..... 2004-024935  
Aug. 20, 2004 (JP) ..... 2004-024941

(51) **LOC (8) Cl.** ..... **13-03**

(52) **U.S. Cl.** ..... **D13/180**

(58) **Field of Classification Search** ..... D13/180;  
D26/2; 257/79, 80, 81, 82, 88, 89, 95, 98,  
257/99, 100, 433, 434, 666; 313/483, 498,  
313/500; 361/820; 362/235, 249, 555, 800;  
372/45

See application file for complete search history.

(56) **References Cited**

**U.S. PATENT DOCUMENTS**

6,707,069 B1 \* 3/2004 Song et al. .... 257/79  
D505,661 S \* 5/2005 Suenaga ..... D13/180  
D508,682 S \* 8/2005 Yamada et al. .... D13/182  
D512,694 S \* 12/2005 Kim et al. .... D13/180  
2004/0201987 A1 \* 10/2004 Omata ..... 362/230

2005/0023538 A1 \* 2/2005 Ishii et al. .... 257/79  
2005/0051789 A1 \* 3/2005 Negley et al. .... 257/99

\* cited by examiner

*Primary Examiner*—Prabhakar Deshmukh

*Assistant Examiner*—Selina Sikder

(74) *Attorney, Agent, or Firm*—Browdy & Neimark, PLLC

(57) **CLAIM**

The ornamental design for a light emitting diode, as shown.

**DESCRIPTION**

FIG. 1 is a perspective view of a first embodiment of a light emitting diode in accordance with the present design, as viewed from above;

FIG. 2 is a perspective view thereof as viewed from below; FIG. 3 is a front elevational view thereof. A rear elevational view would be identical to FIG. 3;

FIG. 4 is a top plan view thereof;

FIG. 5 is a bottom plan view thereof;

FIG. 6 is a right side elevational view thereof. A left side elevational view would be identical to FIG. 6;

FIG. 7 is a perspective view of a second embodiment of a light emitting diode in accordance with the present design, as viewed from above;

FIG. 8 is a perspective view thereof as viewed from below;

FIG. 9 is a front elevational view thereof. A rear elevational view would be identical to FIG. 9;

FIG. 10 is a top plan view thereof;

FIG. 11 is a bottom plan view thereof; and,

FIG. 12 is a right side elevational view thereof. A left side elevational view would be identical to FIG. 12.

**1 Claim, 8 Drawing Sheets**

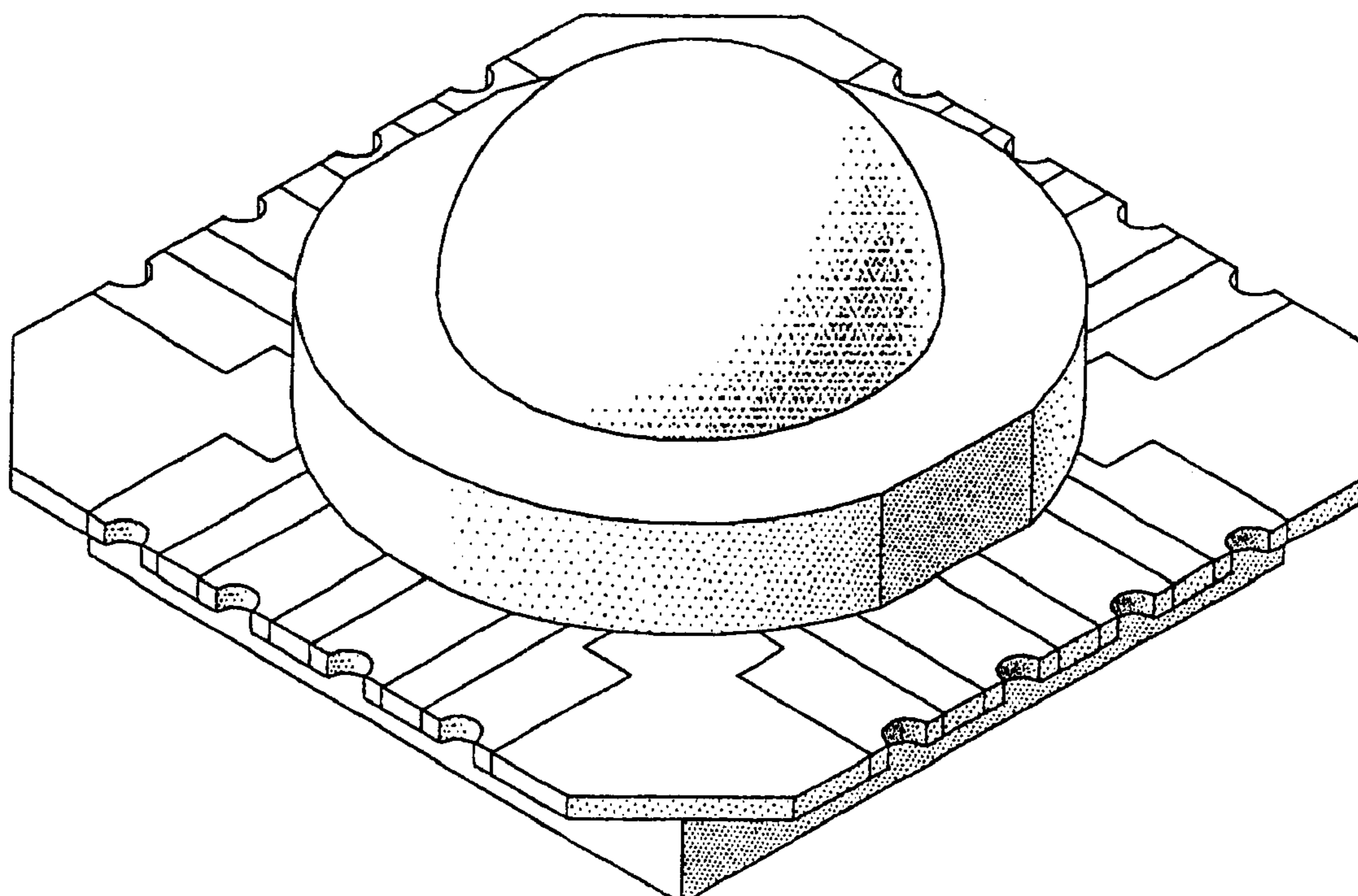


Fig. 1

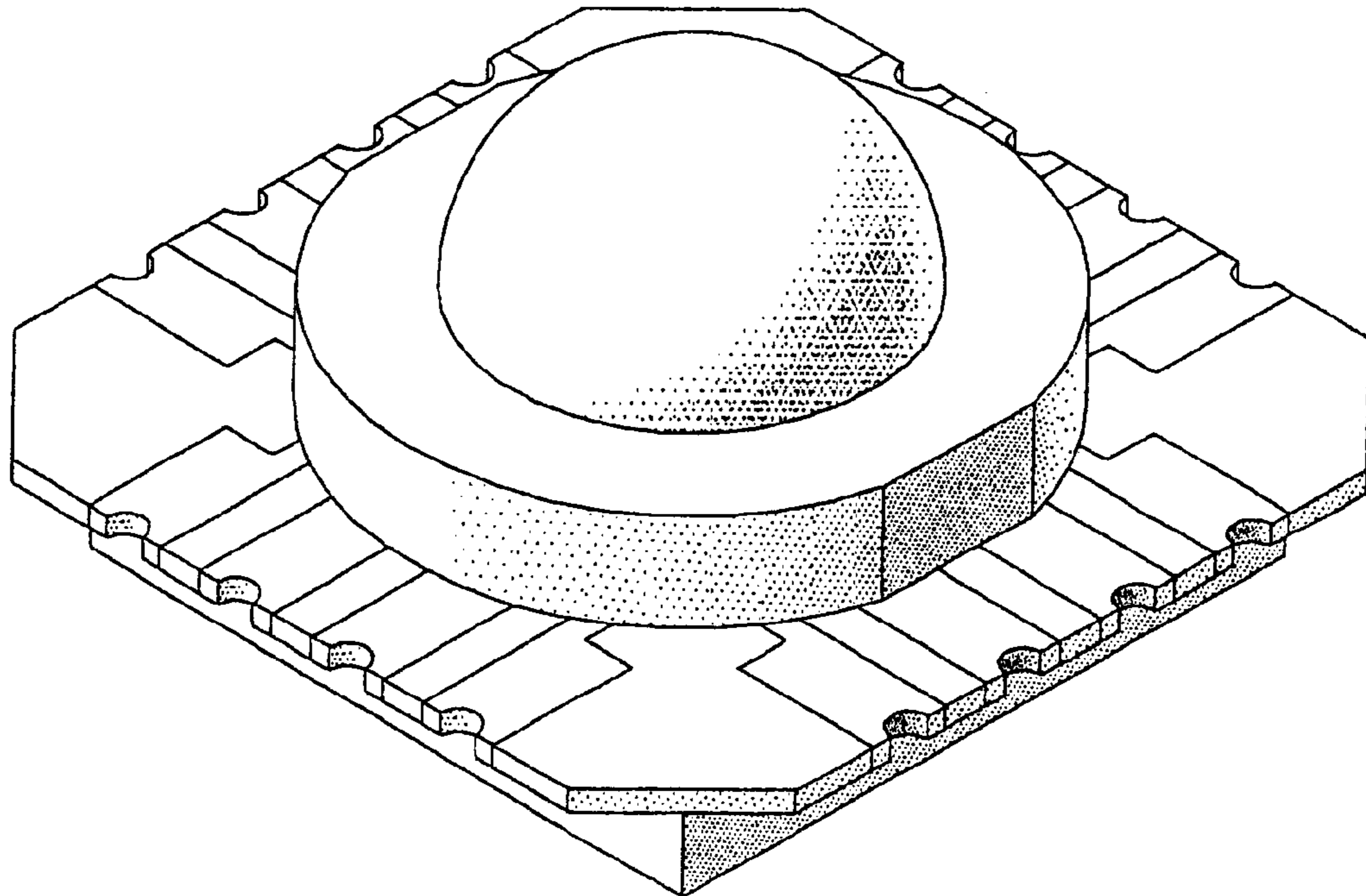


Fig. 2

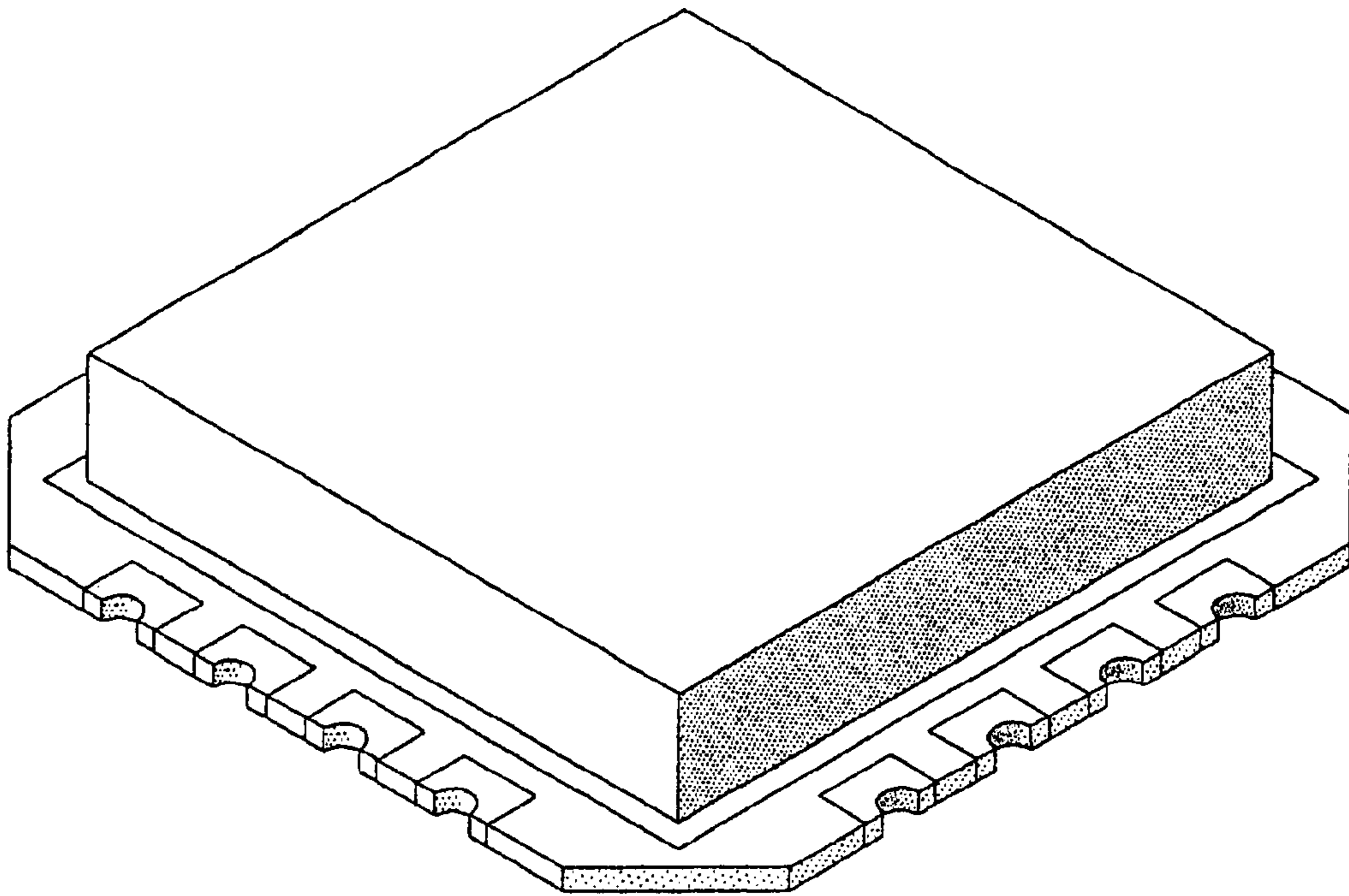


Fig. 3

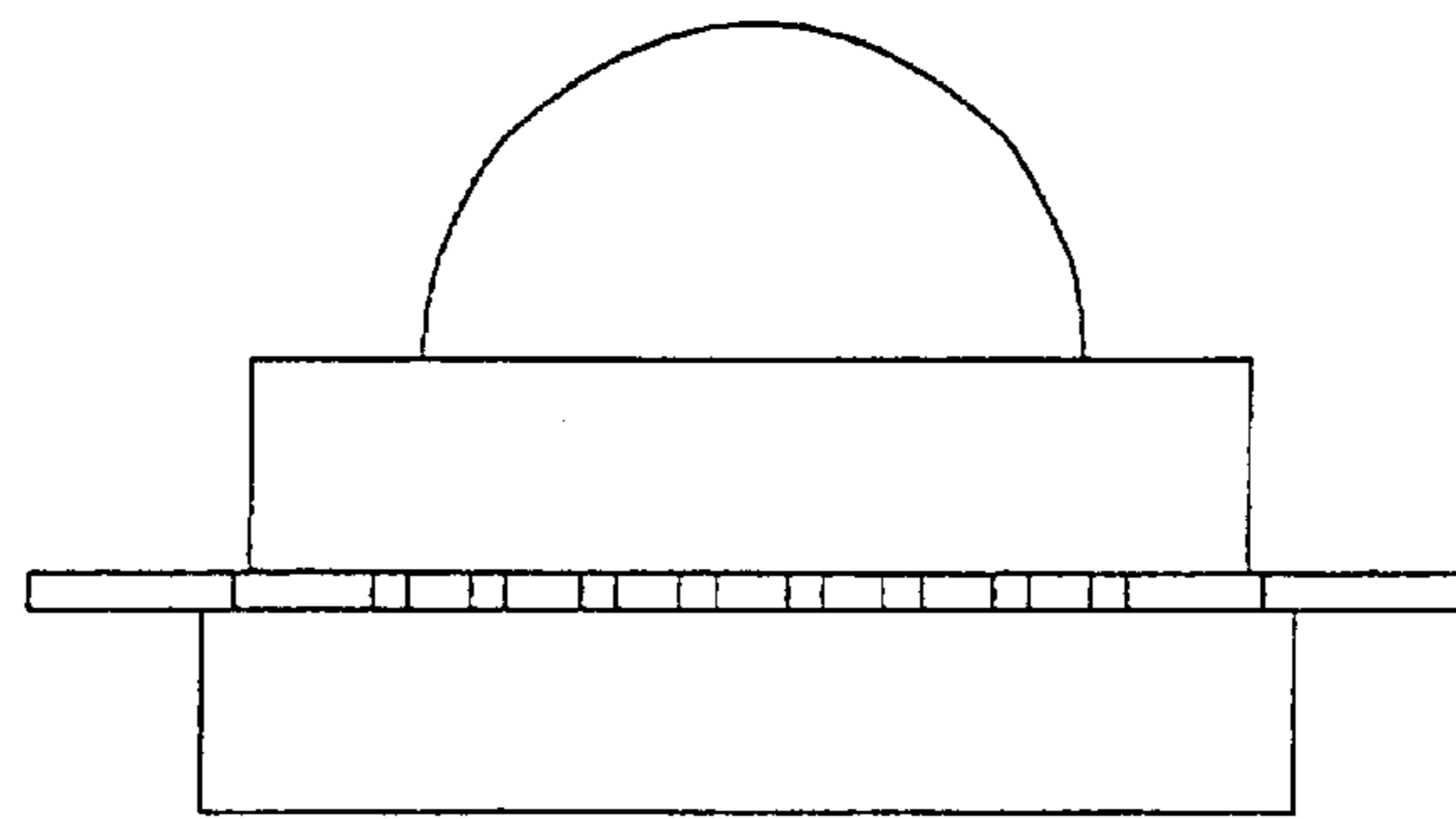


Fig. 4

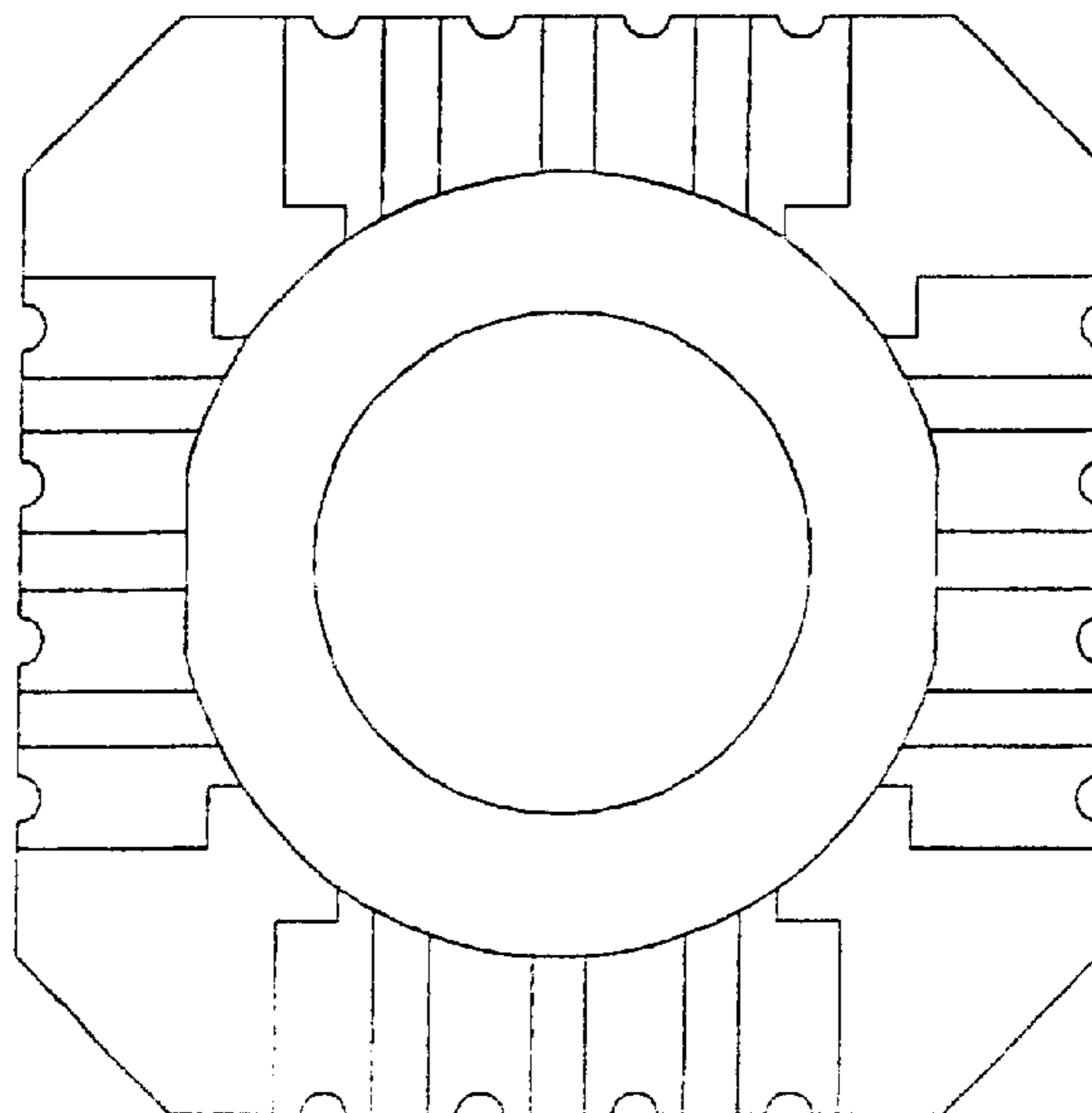


Fig. 5

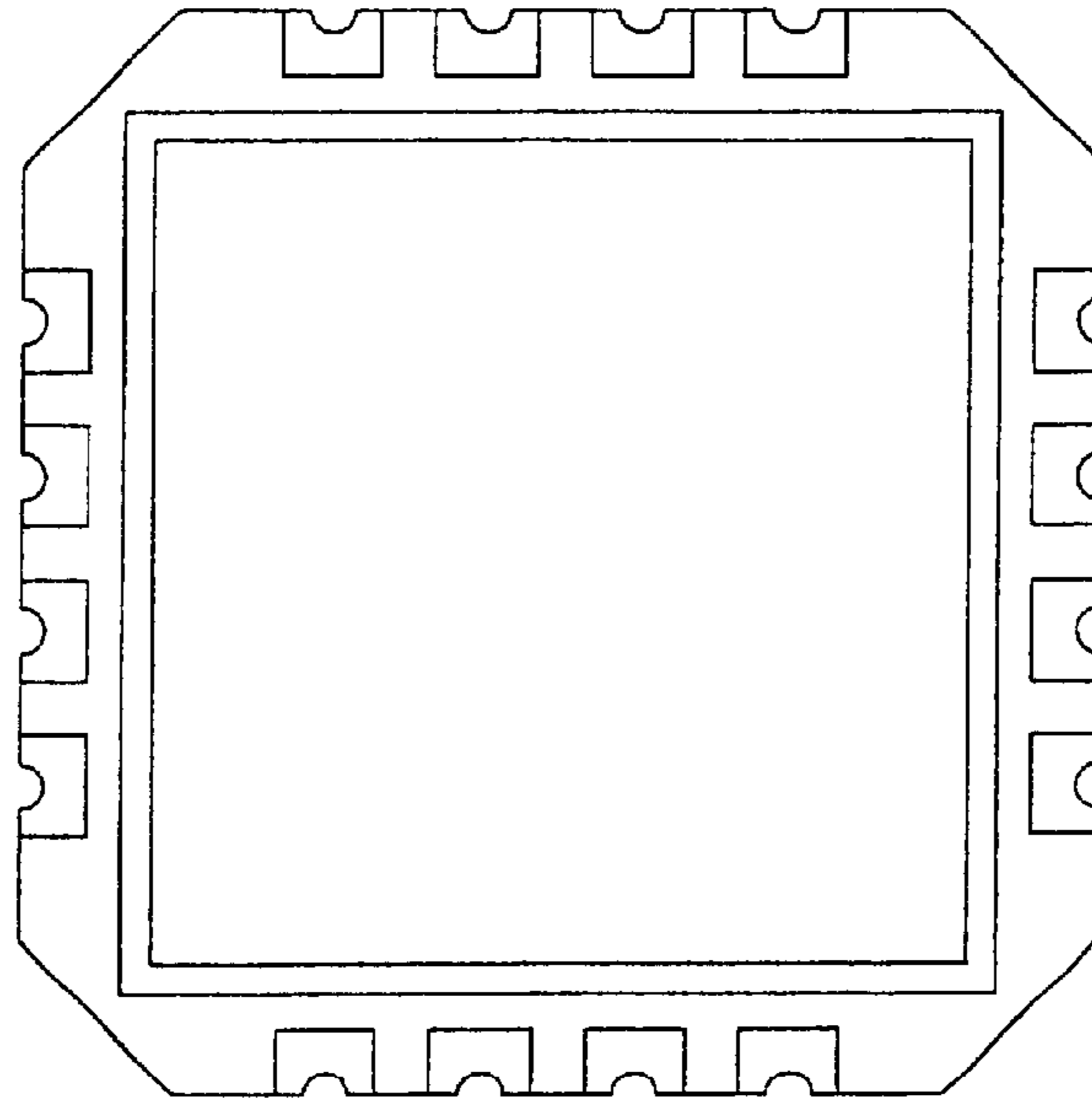


Fig. 6

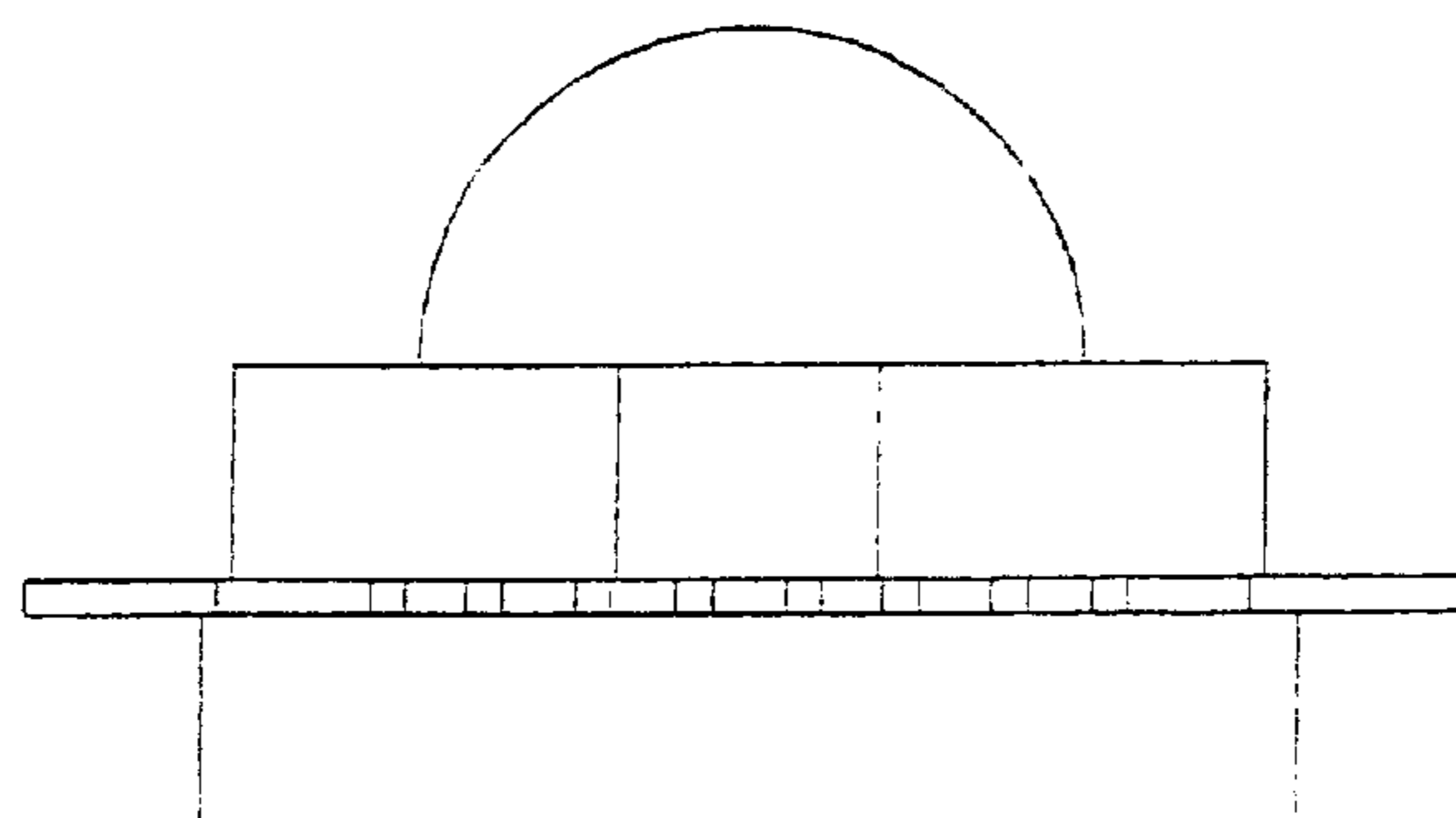


Fig. 7

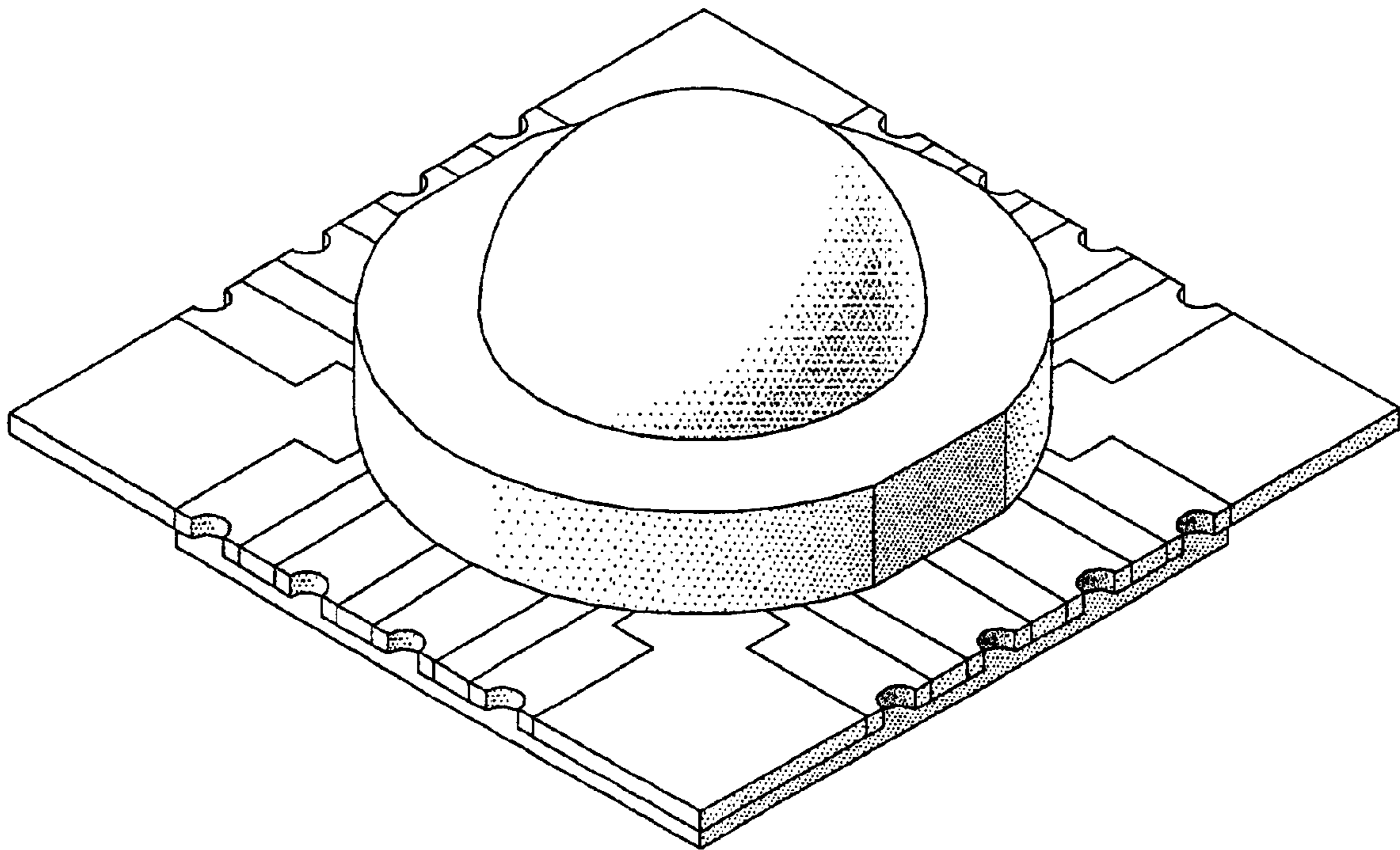


Fig. 8

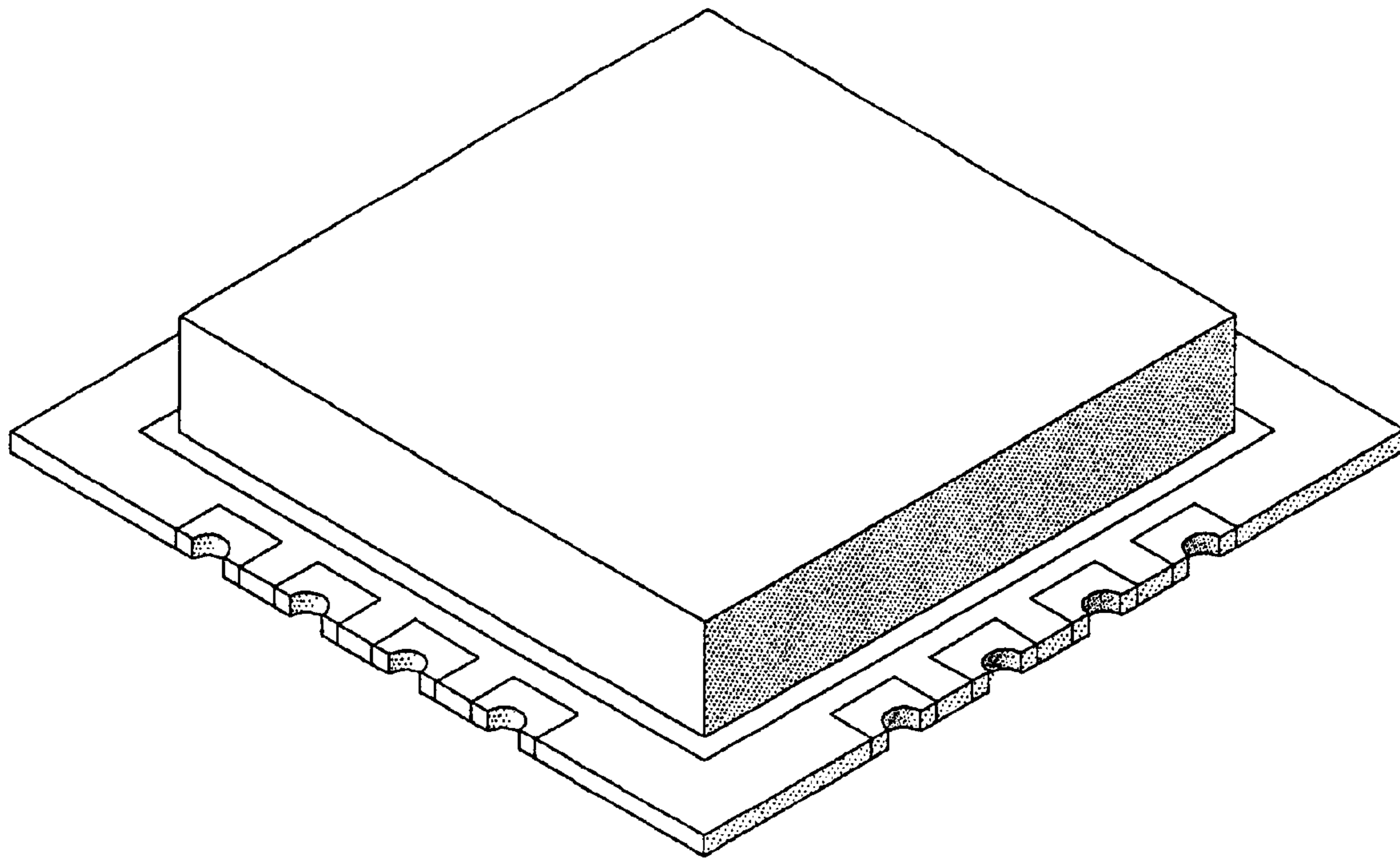


Fig. 9

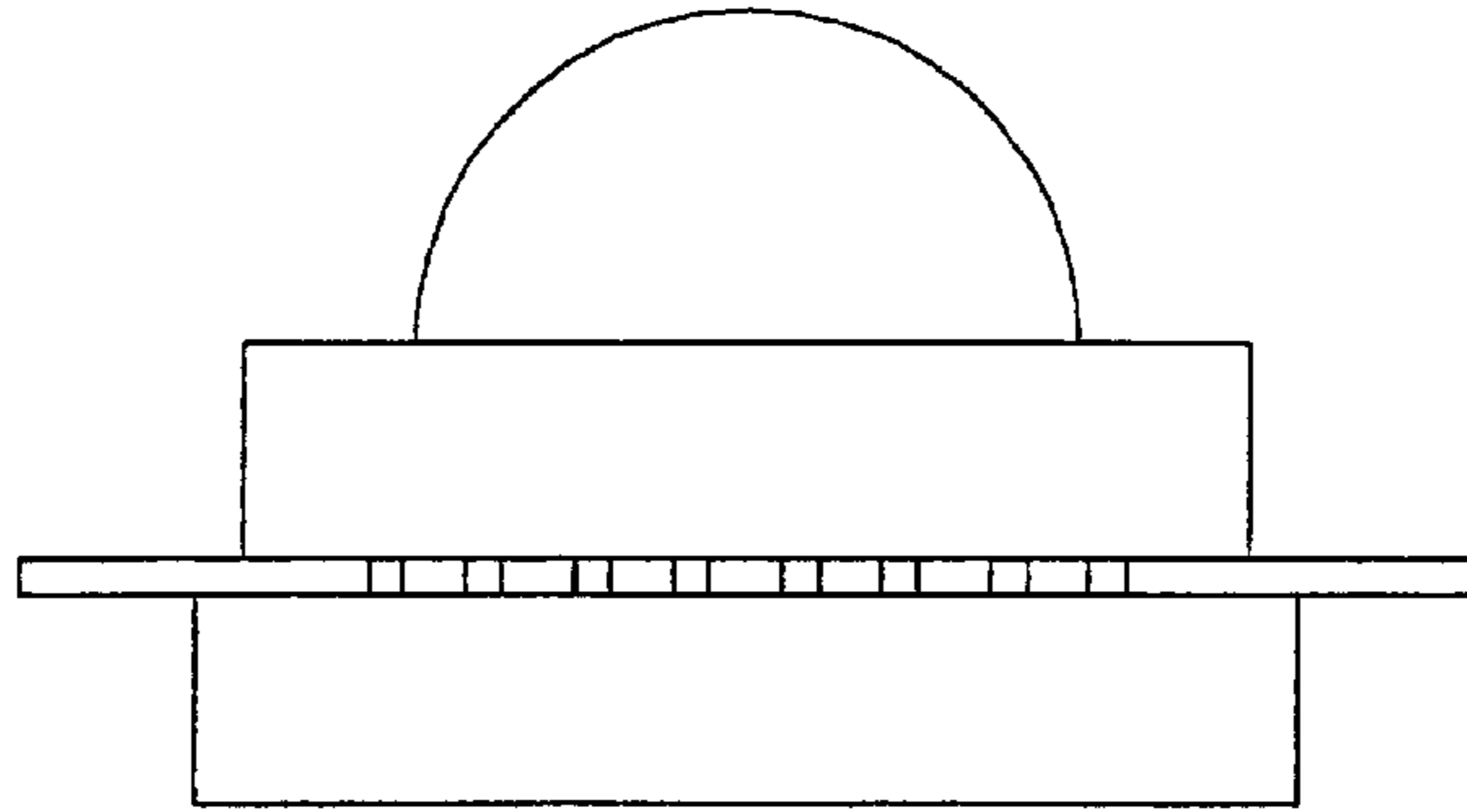


Fig. 10

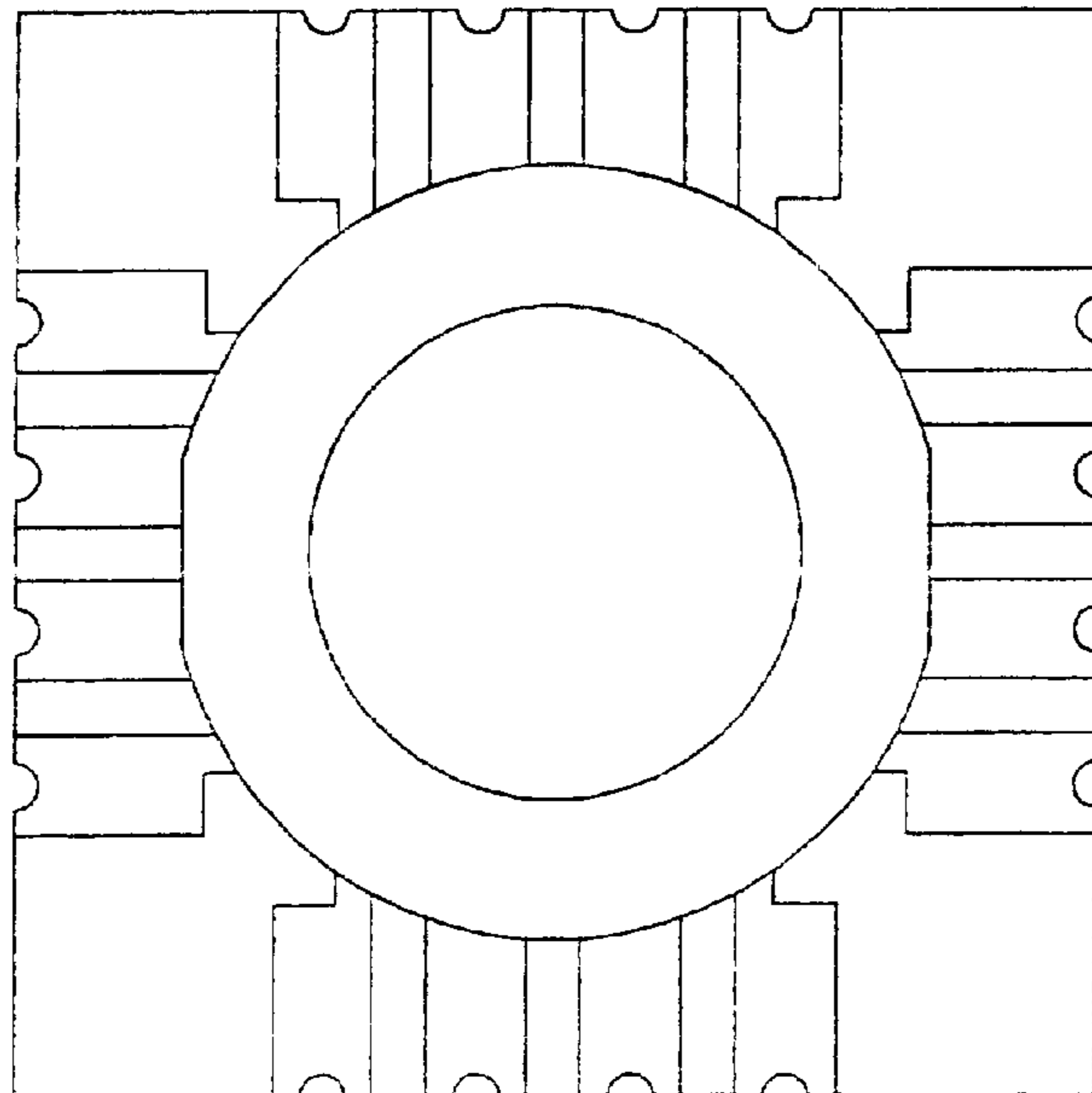




Fig. 11

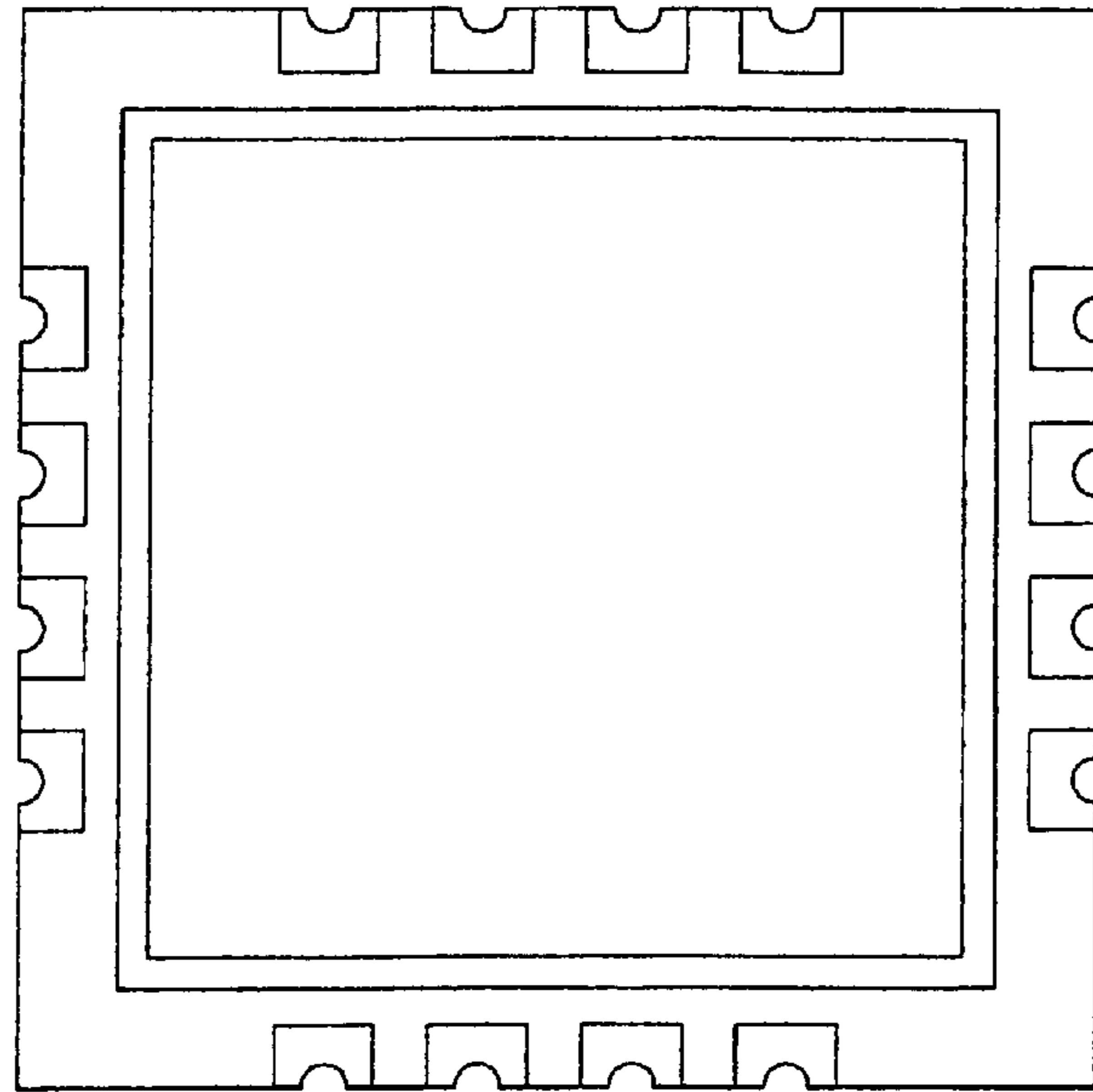


Fig. 12

