



US00D524254S

(12) **United States Design Patent**  
**van Himbeek**

(10) **Patent No.:** **US D524,254 S**  
(45) **Date of Patent:** **\*\* Jul. 4, 2006**

(54) **HANDSET FOR FURNITURE**

(75) Inventor: **Clemens van Himbeek**, Ronse (BE)

(73) Assignee: **Linak A/S**, Nordborg (DK)

(\*\*) Term: **14 Years**

(21) Appl. No.: **29/230,267**

(22) Filed: **May 19, 2005**

(30) **Foreign Application Priority Data**

Nov. 24, 2004 (DK) ..... 2004 00367

(51) **LOC (8) Cl.** ..... **13-03**

(52) **U.S. Cl.** ..... **D13/168**

(58) **Field of Classification Search** ..... D13/168;  
D10/104, 106; D14/218, 247; 340/825.22,  
340/825.24, 825.25, 825.31, 825.36, 825.69,  
340/825.71, 825.72; 341/20, 22, 23, 34, 173,  
341/176; 348/734; 455/95, 100, 128, 151.1-151.4,  
455/352-355; 463/39

See application file for complete search history.

(56) **References Cited**

**U.S. PATENT DOCUMENTS**

D346,152 S *	4/1994	Zaugg	.....	D13/168
D368,475 S *	4/1996	Scott	.....	D14/218
5,767,841 A *	6/1998	Hartman	.....	345/167
D434,012 S *	11/2000	Krieser, Sr.	.....	D13/168
D434,762 S *	12/2000	Ikenaga	.....	D14/371
D472,228 S *	3/2003	Haines et al.	.....	D14/172
D490,380 S *	5/2004	Coullahan et al.	.....	D13/168
D493,150 S *	7/2004	Murtaugh et al.	.....	D13/168
D502,929 S *	3/2005	Copeland et al.	.....	D13/168

\* cited by examiner

*Primary Examiner*—Stella Reid

*Assistant Examiner*—Selina Sikder

(74) *Attorney, Agent, or Firm*—Dykema Gossett PLLC

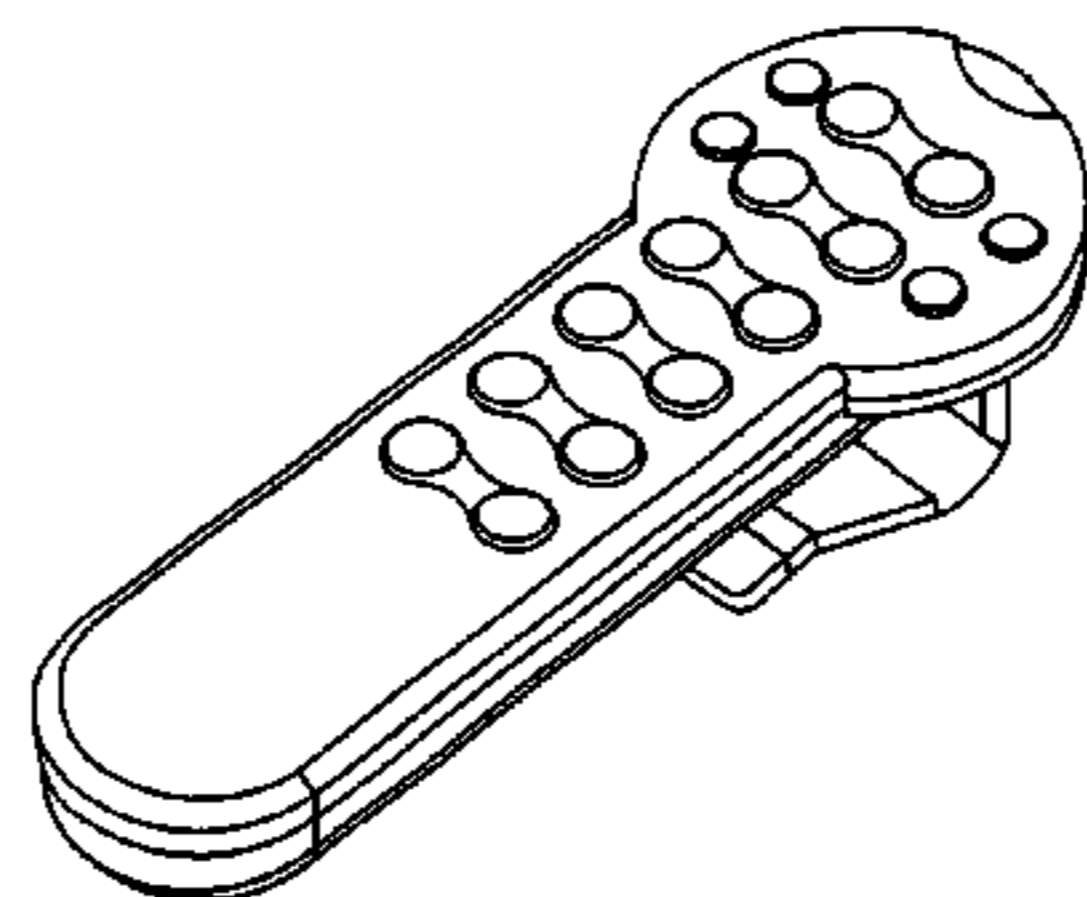
(57) **CLAIM**

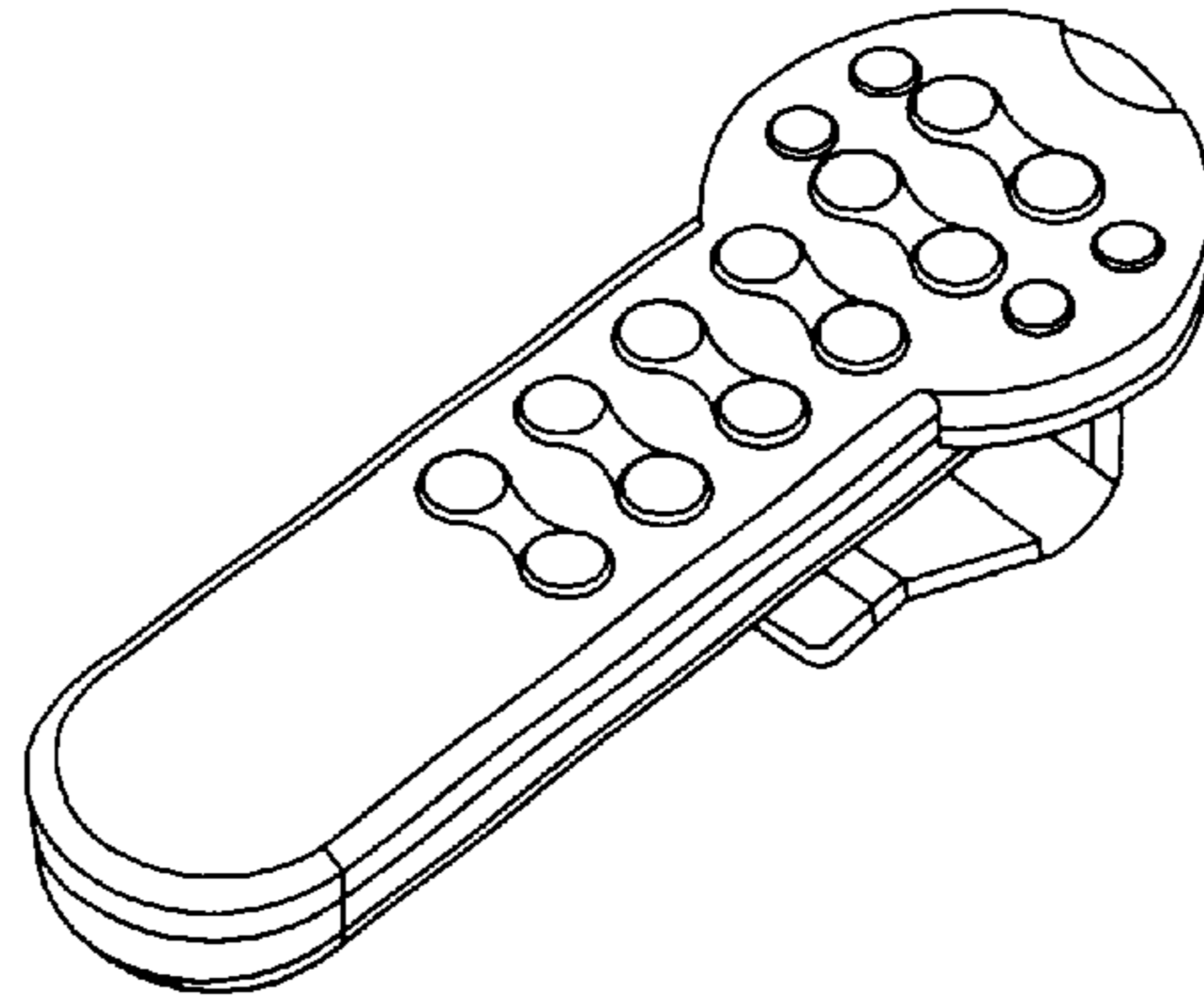
The ornamental design for a handset for furniture, as shown and described.

**DESCRIPTION**

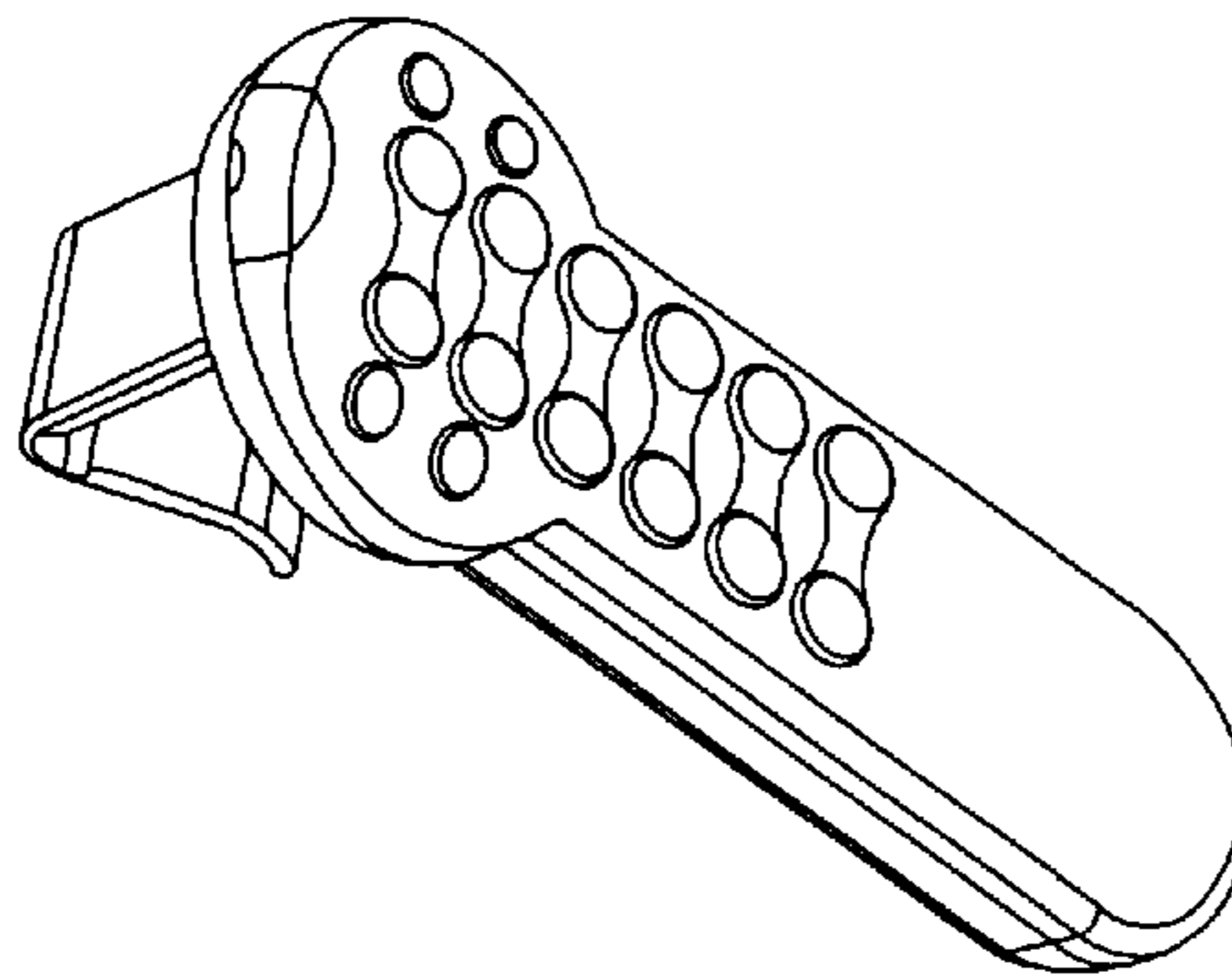
FIG. 1 is a first top perspective view of a first embodiment of a handset for furniture according to my design; FIG. 2 is a second top perspective view thereof, FIG. 3 is a bottom perspective view thereof, FIG. 4 is an elevational left side view thereof, the right side view being a mirror image, FIG. 5 is a top plan view thereof, FIG. 6 is a bottom plan view thereof, FIG. 7 is an elevational rear end view thereof, FIG. 8 is an elevational front end view thereof, FIG. 9 is a first top perspective view of a second embodiment of a handset for furniture according to my design, FIG. 10 is a second top perspective view thereof, FIG. 11 is a bottom perspective view thereof, FIG. 12 is an elevational left side view thereof, the right side view being a mirror image, FIG. 13 is a top plan view thereof, FIG. 14 is a bottom plan view thereof, FIG. 15 is an elevational rear end view thereof, FIG. 16 is an elevational front end view thereof, FIG. 17 is a first perspective top view of a third embodiment of a handset for furniture according to my design, FIG. 18 is a second top perspective view thereof, FIG. 19 is a bottom perspective view thereof, FIG. 20 is an elevational left side view thereof, the right side view being a mirror image, FIG. 21 is a top plan view thereof, FIG. 22 is a bottom plan view thereof, FIG. 23 is an elevational rear end view thereof; and, FIG. 24 is an elevational front end view thereof.

**1 Claim, 8 Drawing Sheets**

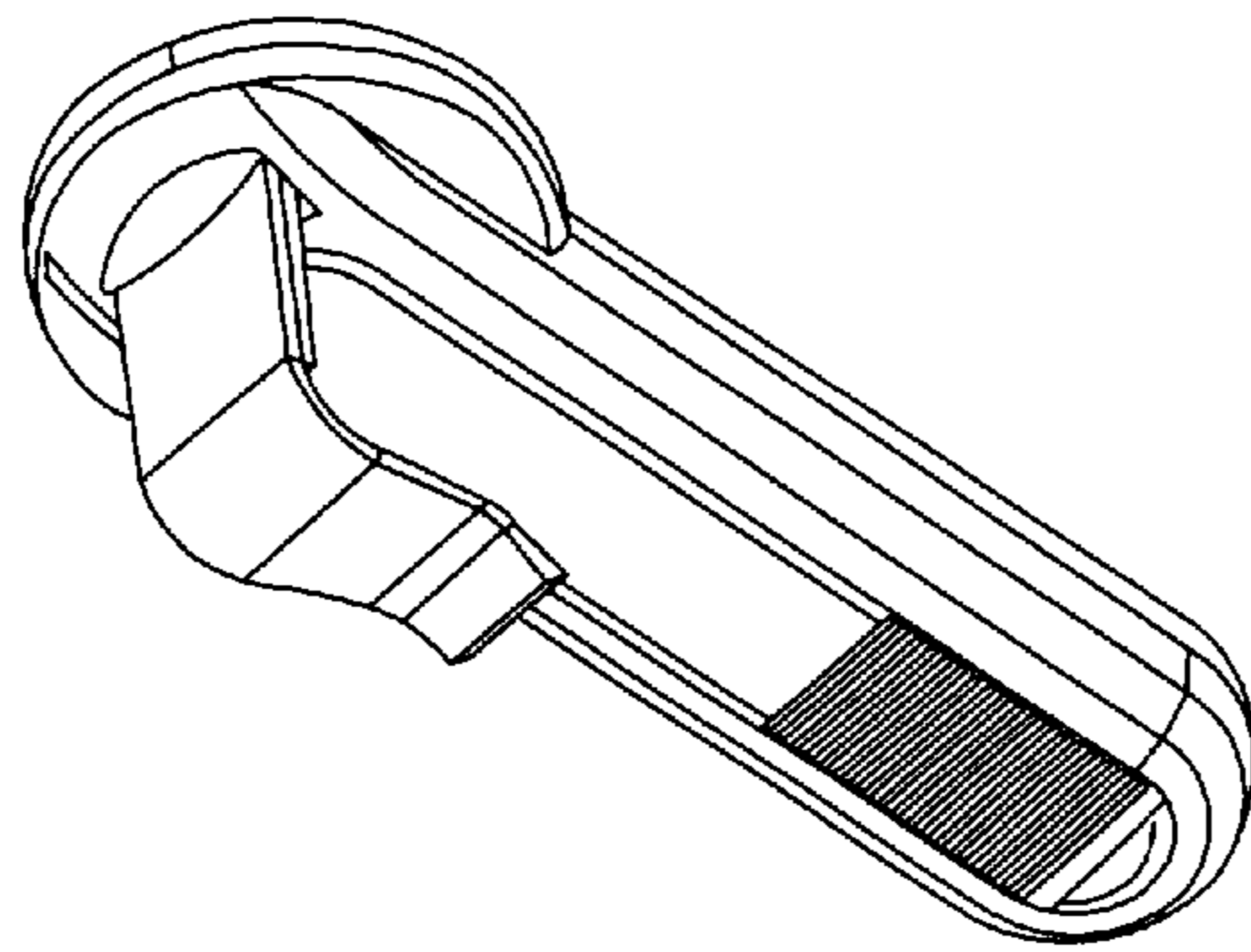




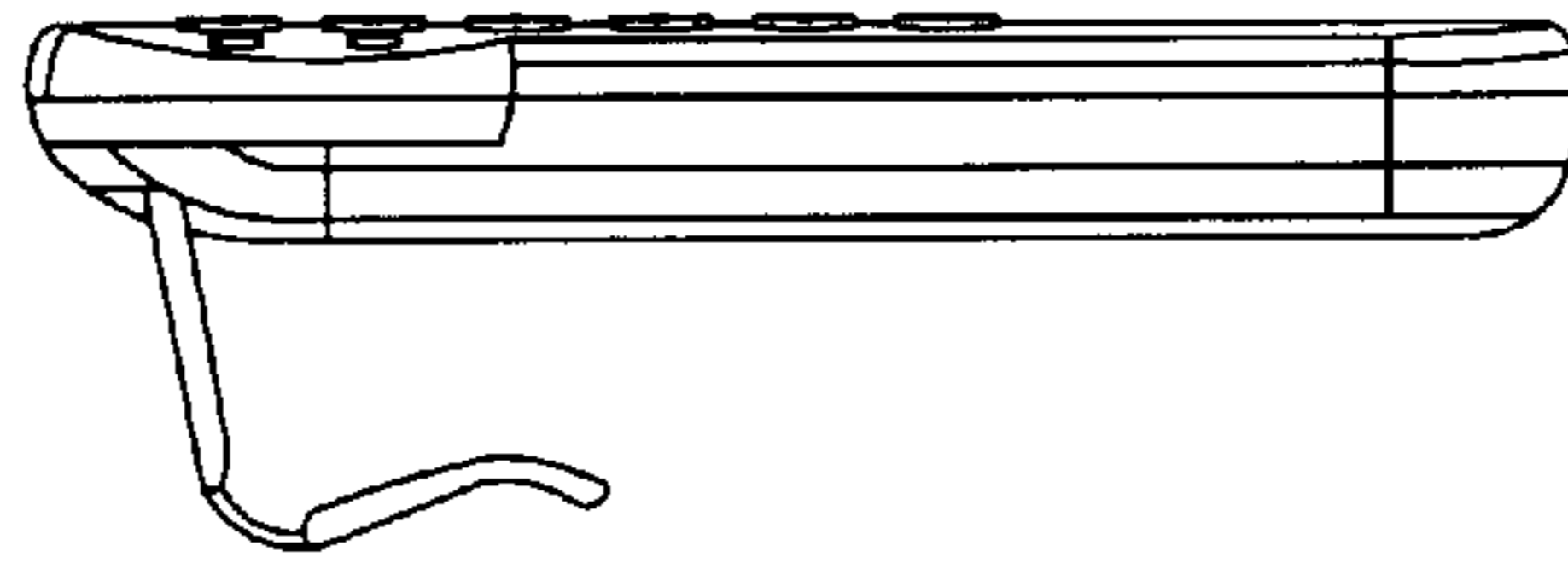
**FIG. 1**



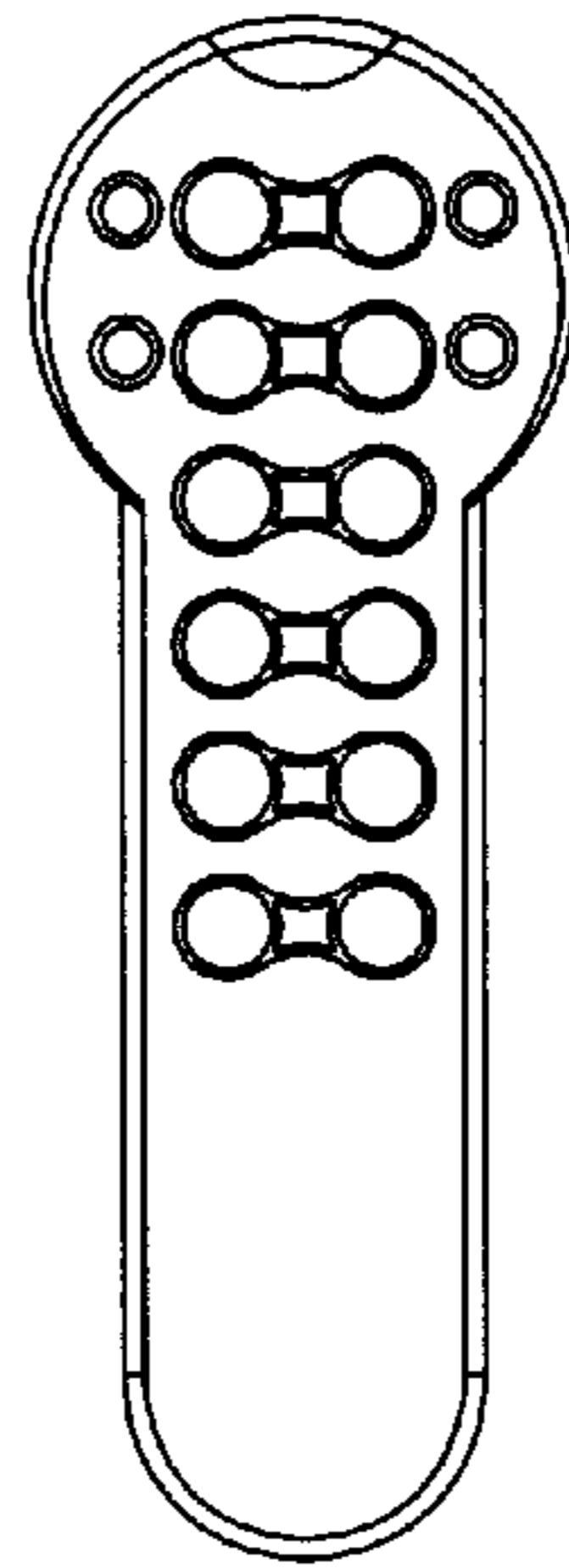
**FIG. 2**



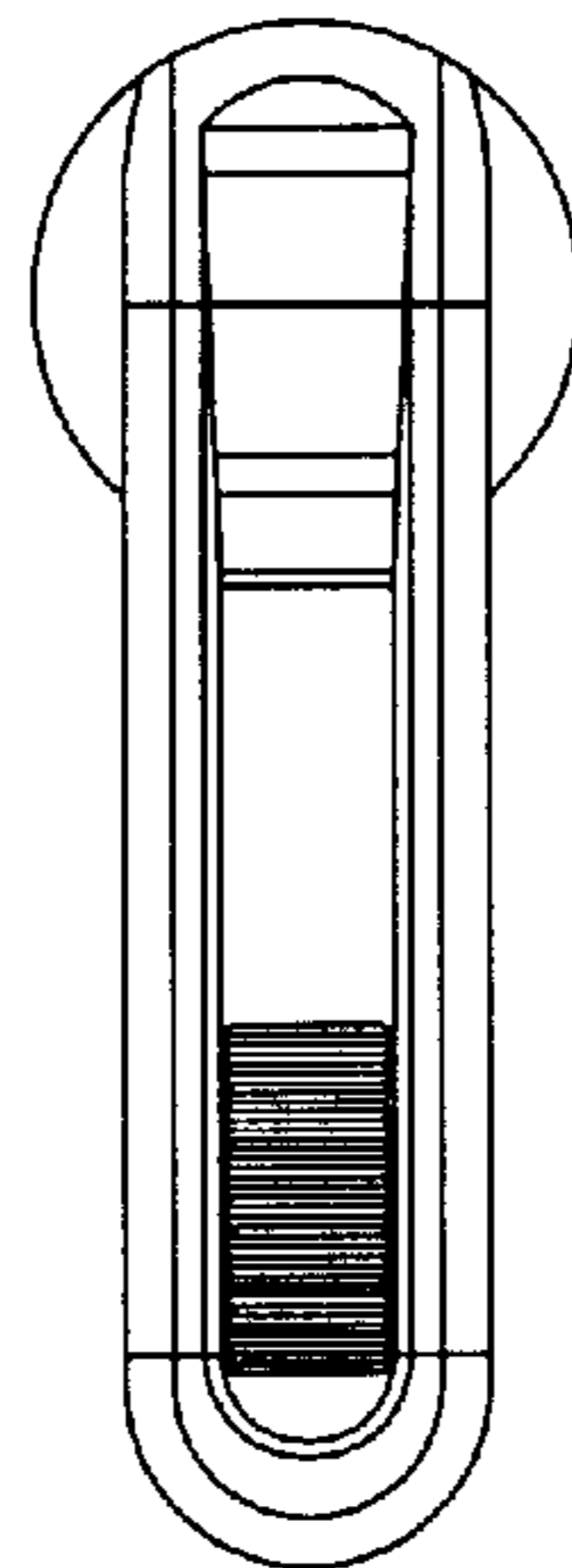
**FIG. 3**



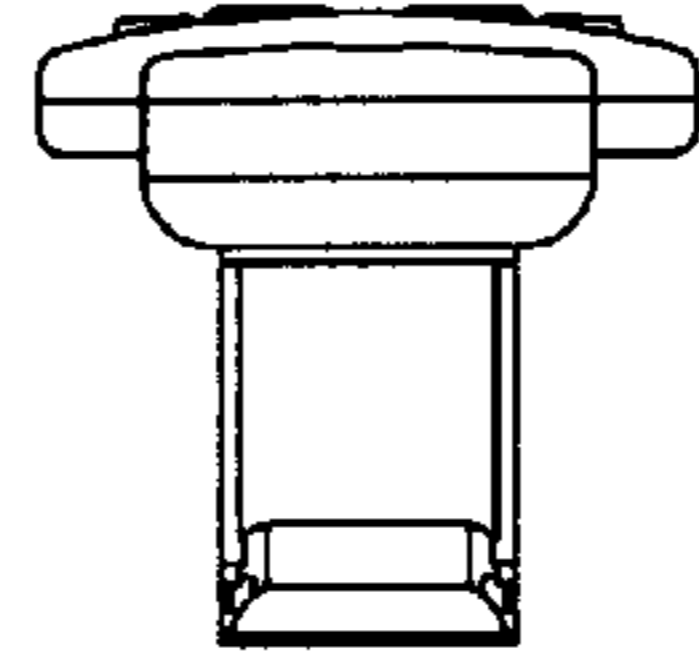
**FIG. 4**



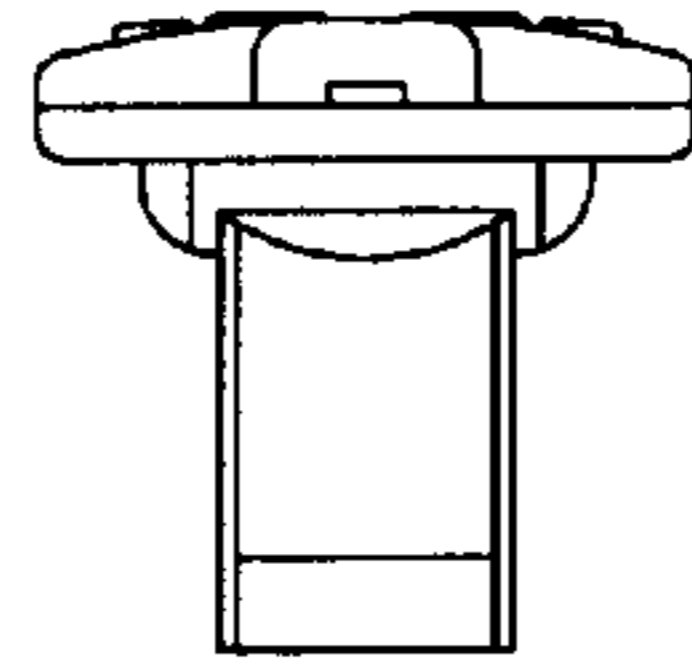
**FIG. 5**



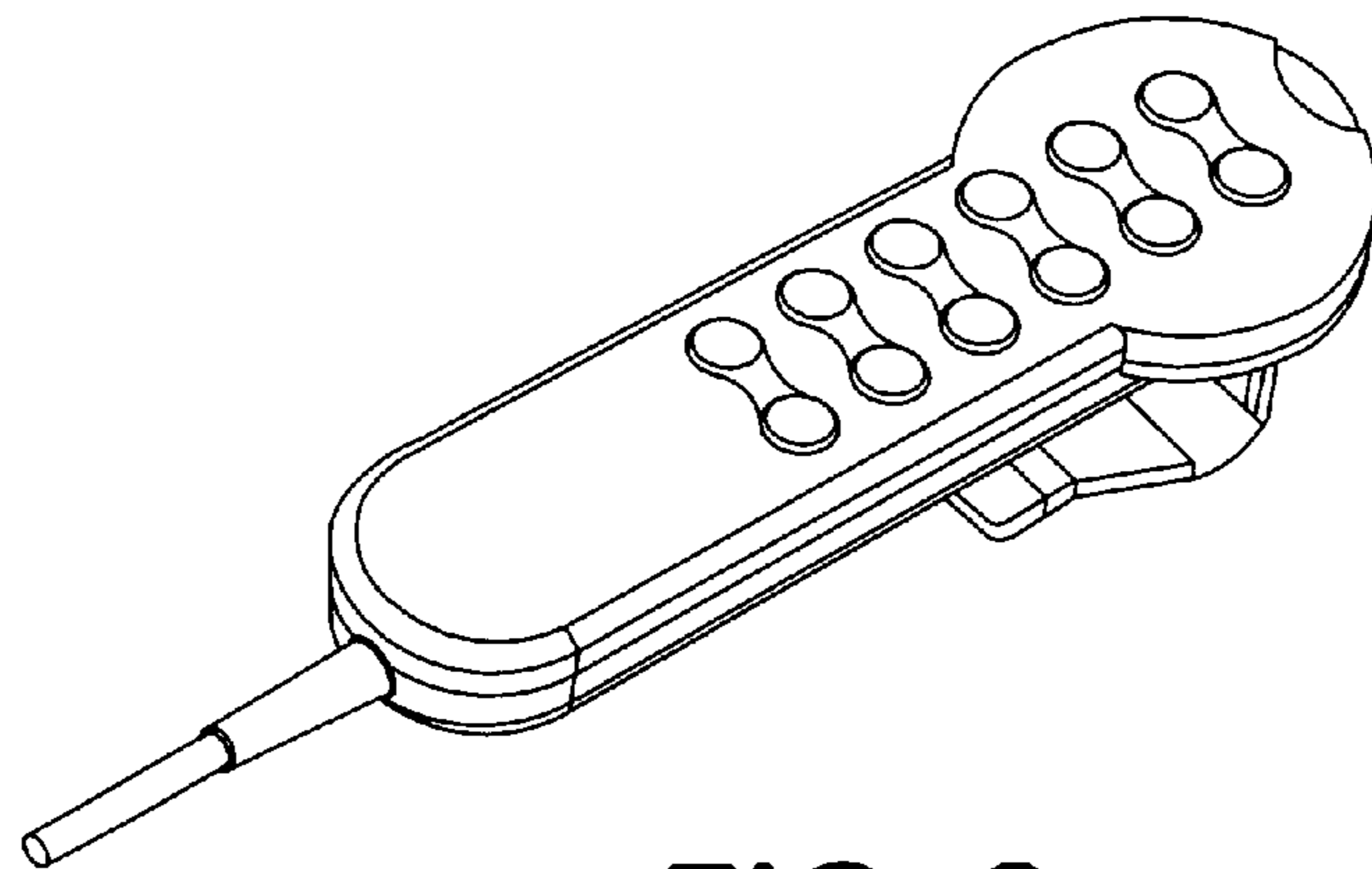
**FIG. 6**



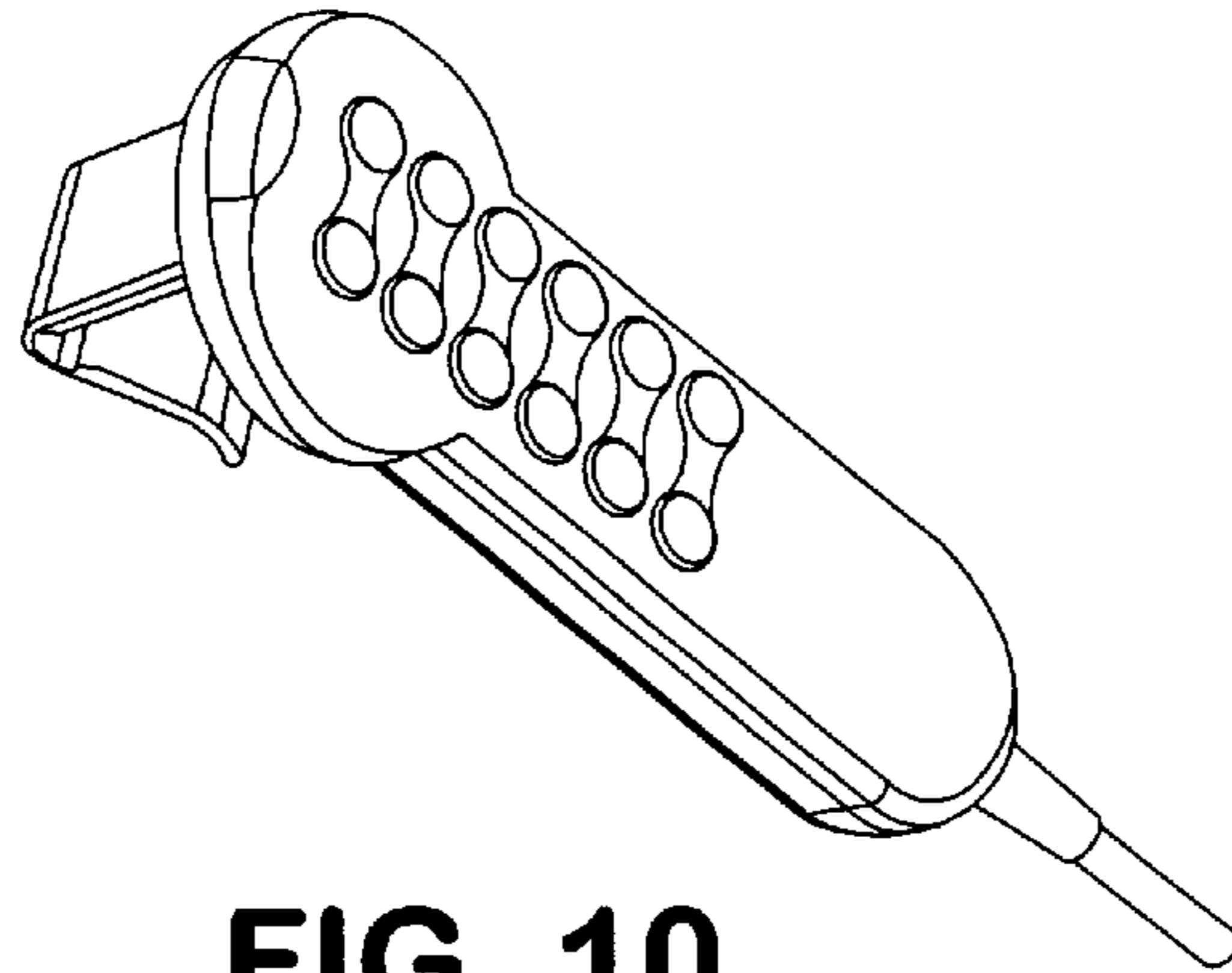
**FIG. 7**



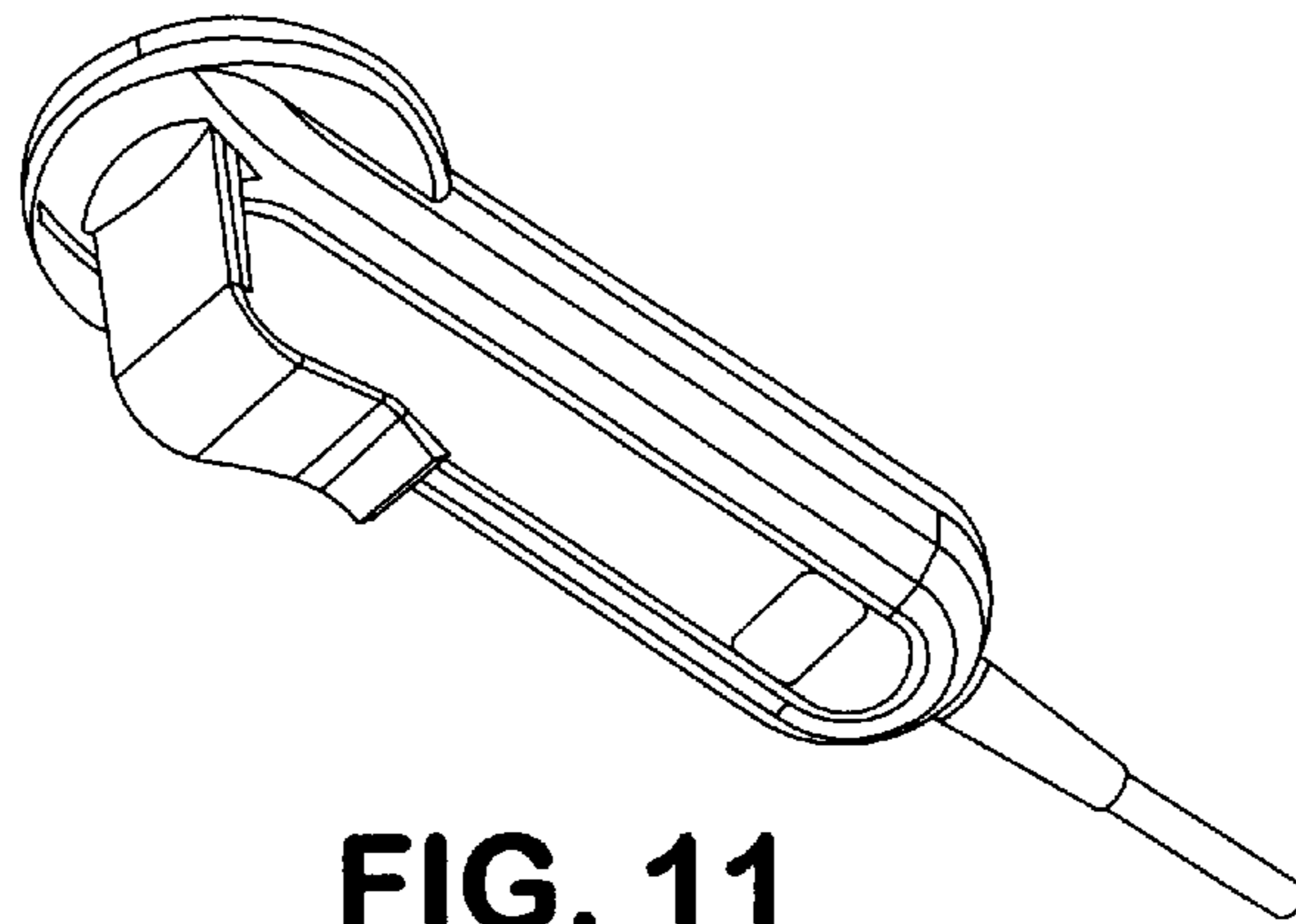
**FIG. 8**



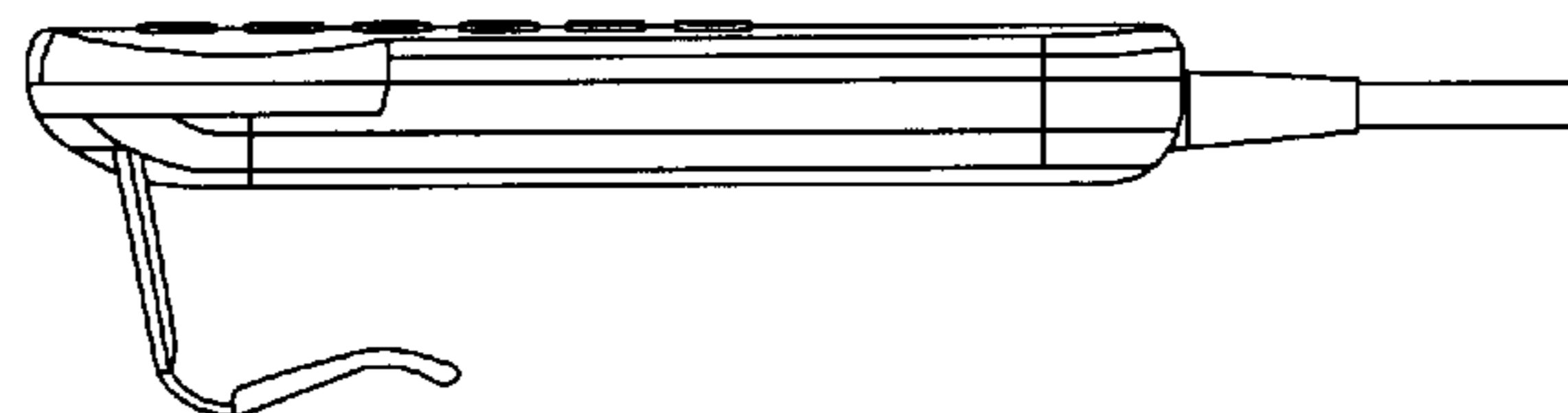
**FIG. 9**



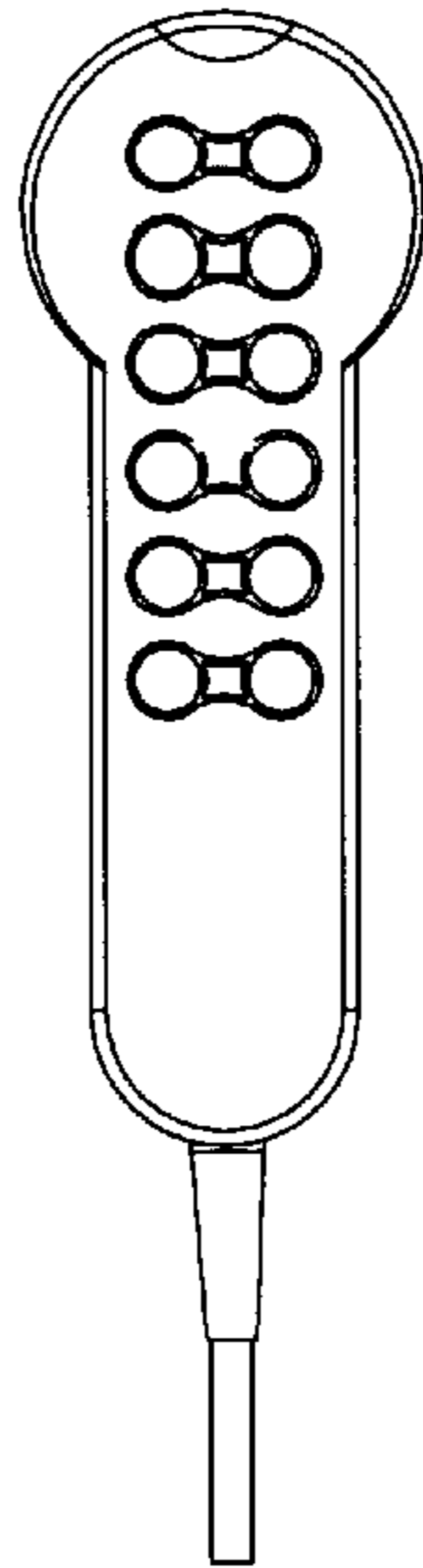
**FIG. 10**



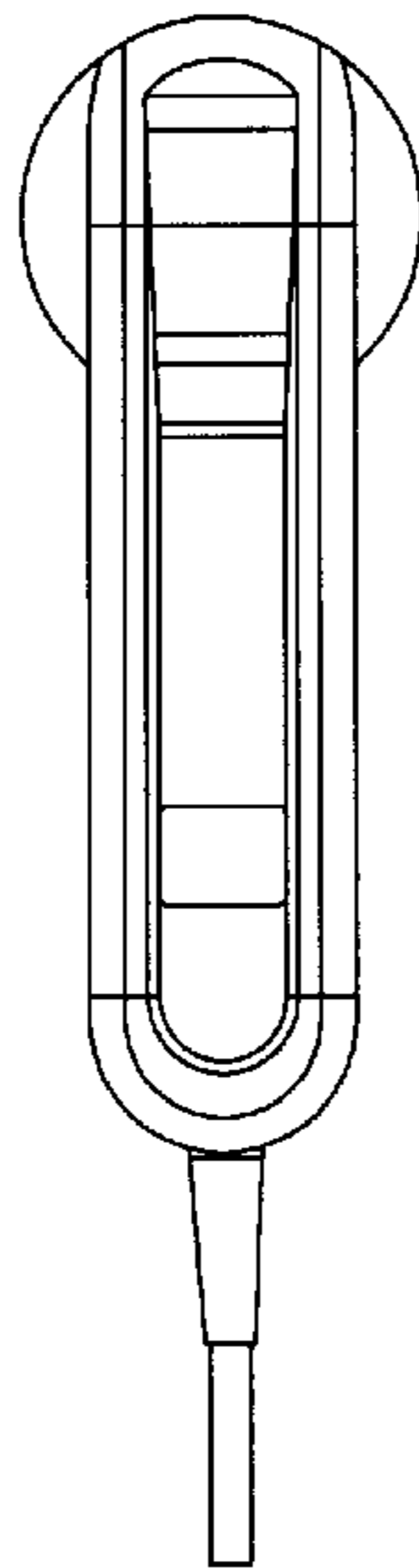
**FIG. 11**



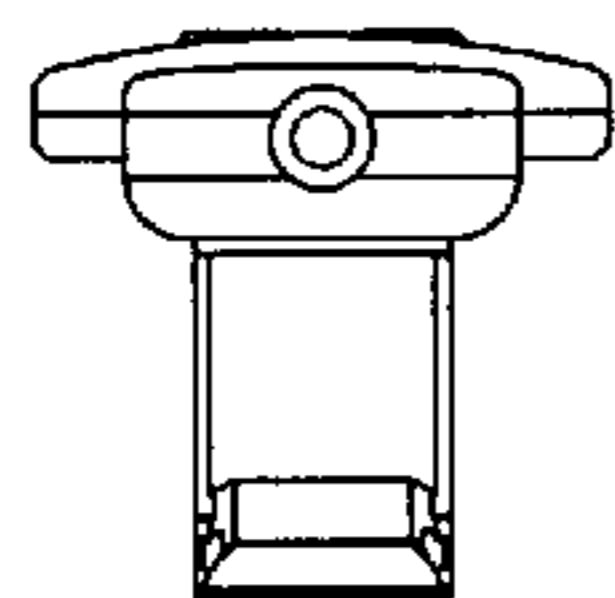
**FIG. 12**



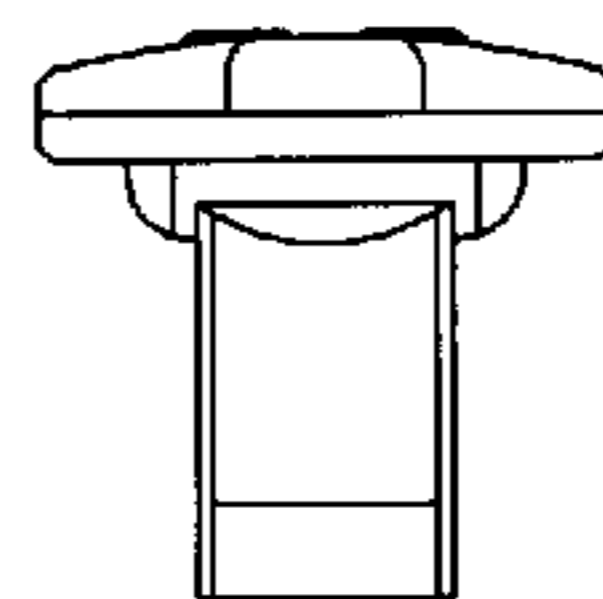
**FIG. 13**



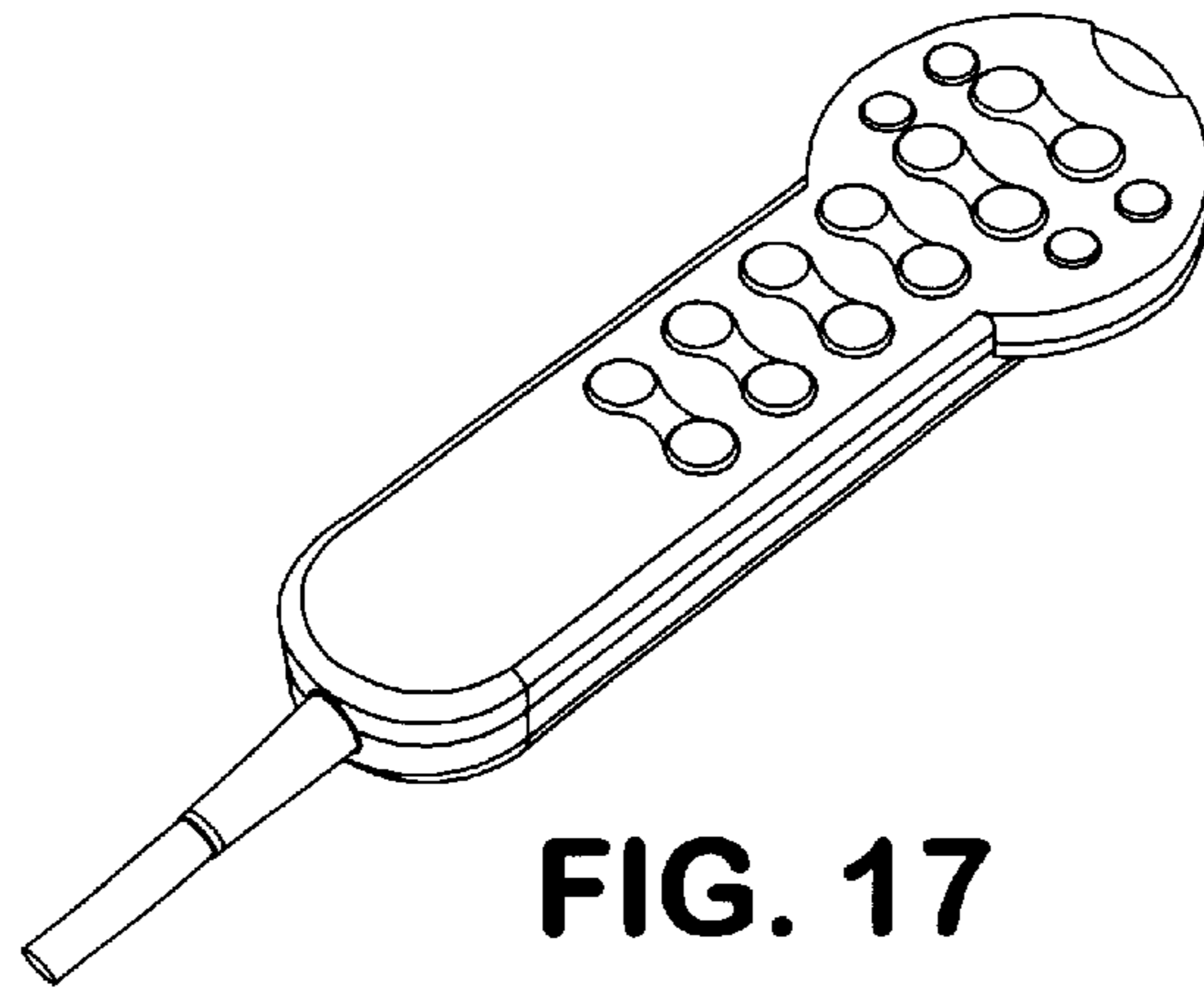
**FIG. 14**



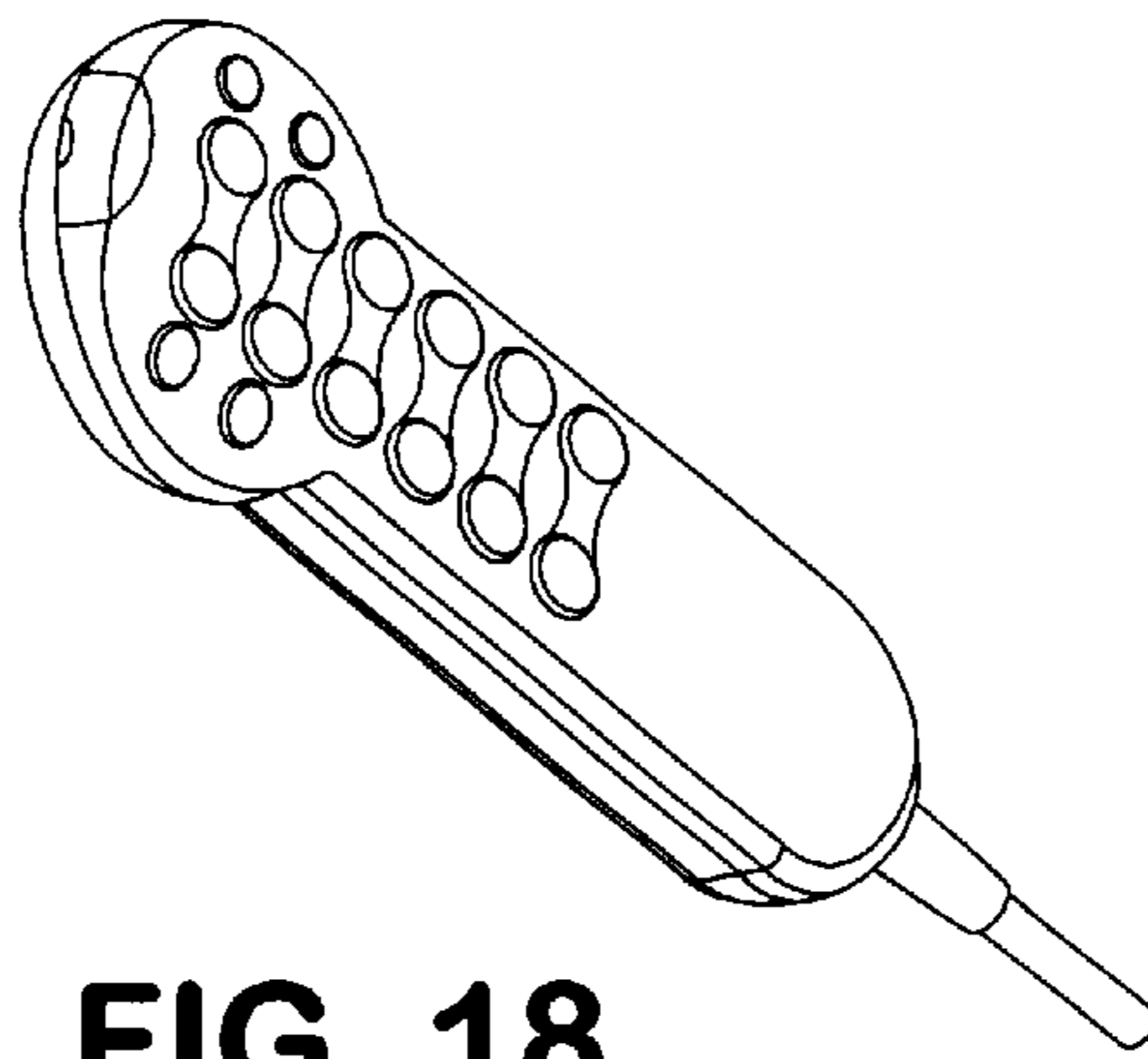
**FIG. 15**



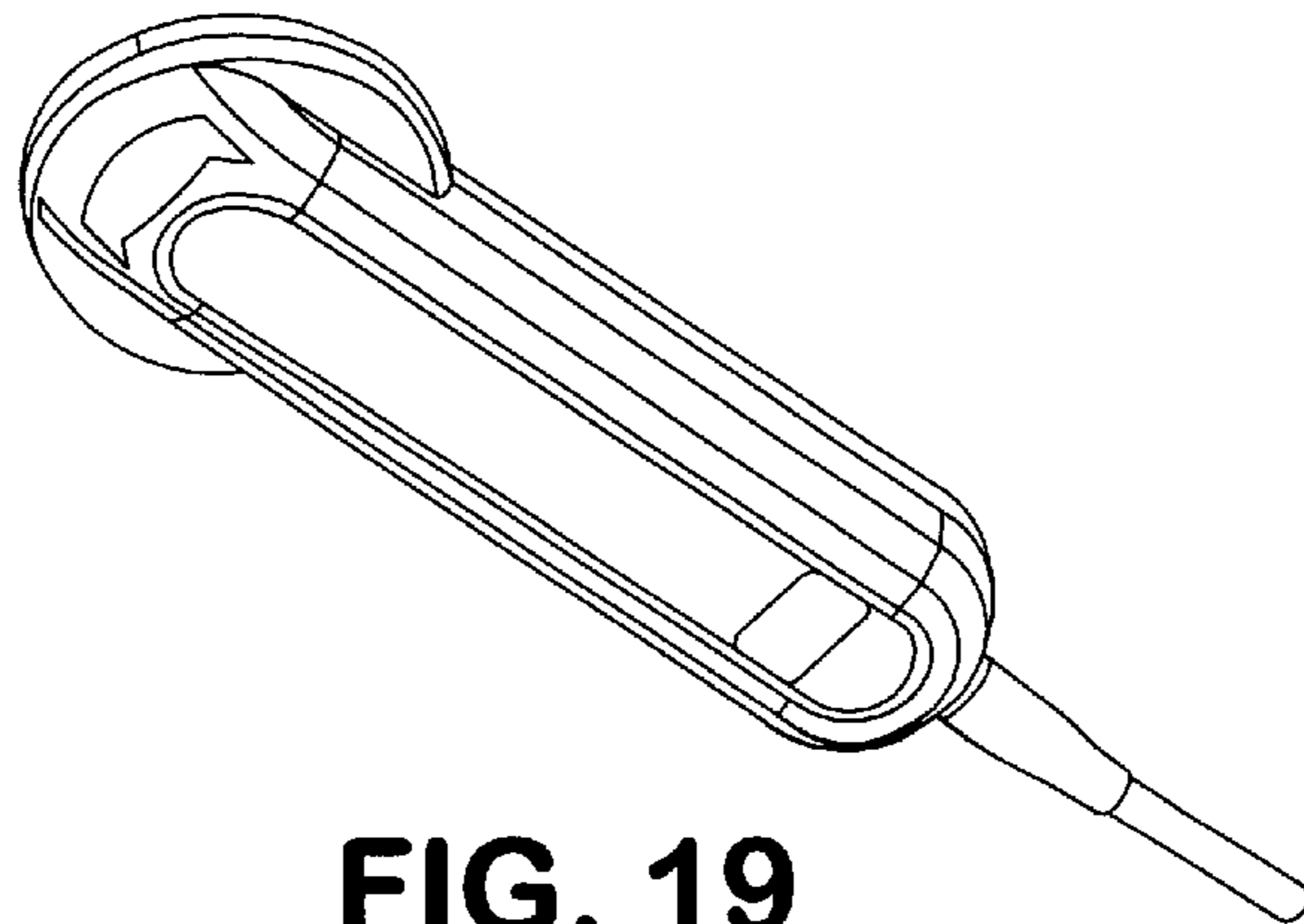
**FIG. 16**



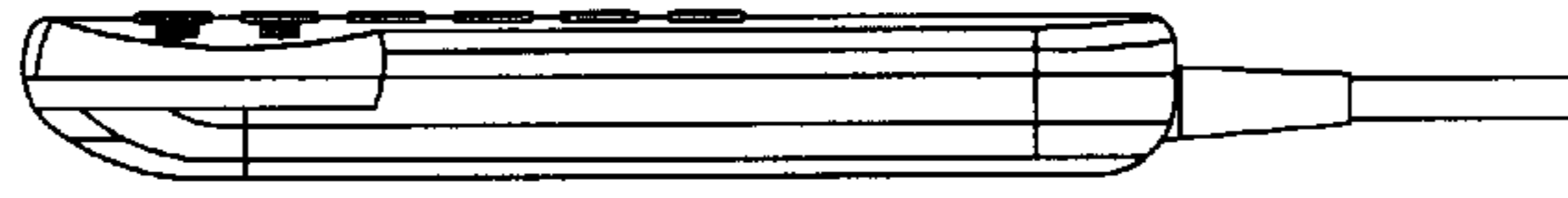
**FIG. 17**



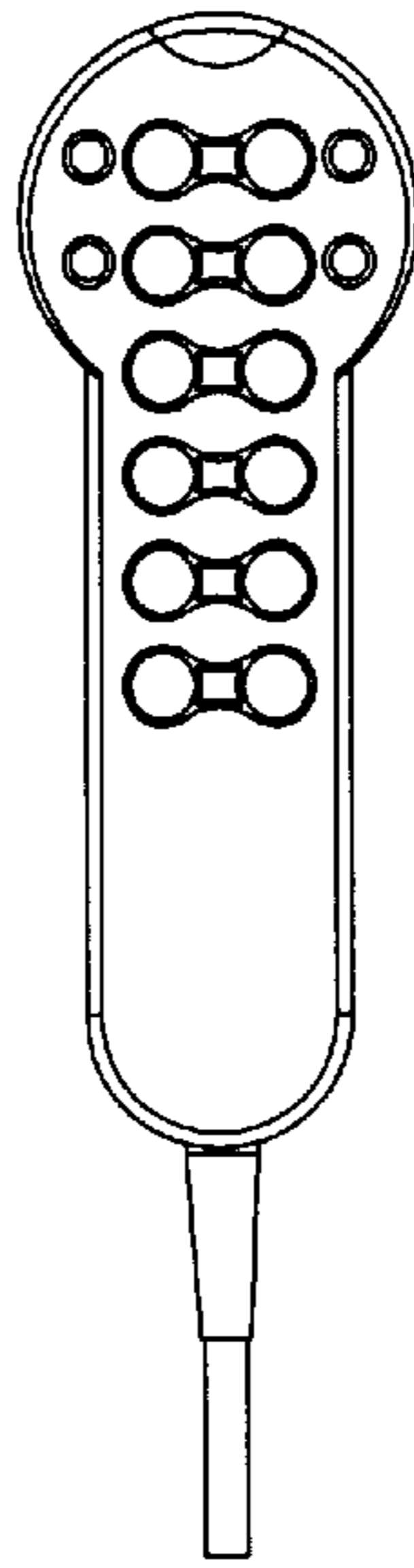
**FIG. 18**



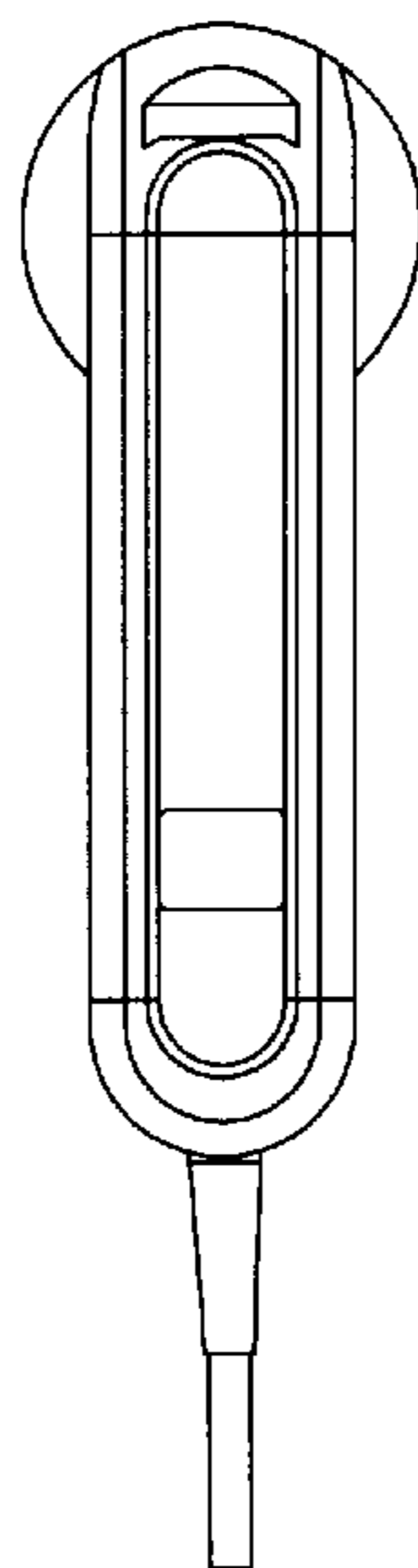
**FIG. 19**



**FIG. 20**

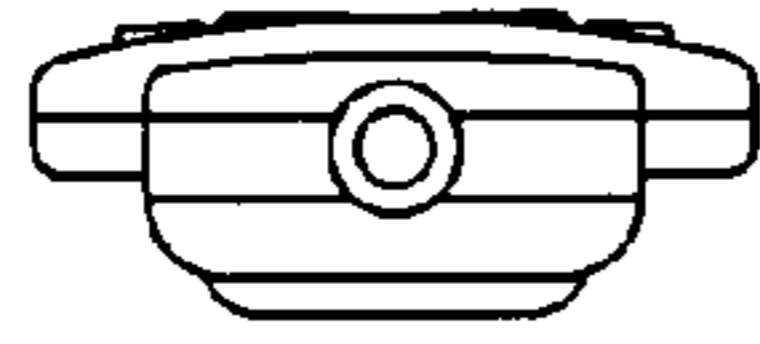


**FIG. 21**



**FIG. 22**





**FIG. 23**



**FIG. 24**