



US00D524249S

(12) **United States Design Patent**
Chen

(10) **Patent No.:** **US D524,249 S**

(45) **Date of Patent:** **** Jul. 4, 2006**

(54) **PERIPHERAL SWITCH**

(75) Inventor: **Kevin Chen, Shijr (TW)**

(73) Assignee: **Aten International Co., Ltd., Taipei (TW)**

(**) Term: **14 Years**

(21) Appl. No.: **29/200,805**

(22) Filed: **Mar. 5, 2004**

(51) **LOC (8) Cl.** **13-03**

(52) **U.S. Cl.** **D13/158; D13/162**

(58) **Field of Classification Search** D13/158,
D13/162, 171; 200/5 R, 5 A, 6 R, 412, 520,
200/552, 293, 294, 297, 302.1, 302.2, 310,
200/314, 329, 333, 341; 345/161, 163, 156;
710/73

See application file for complete search history.

(56) **References Cited**

U.S. PATENT DOCUMENTS

5,818,426 A * 10/1998 Tierney et al. 345/161
D419,530 S * 1/2000 Wang et al. D13/158

6,806,866 B1 * 10/2004 Benayoun et al. 345/163
2004/0061681 A1 * 4/2004 Shen et al. 345/163
2005/0093821 A1 * 5/2005 Massie et al. 345/161
2005/0116933 A1 * 6/2005 Huang et al. 345/163

* cited by examiner

Primary Examiner—Prabhakar Deshmukh

Assistant Examiner—Selina Sikder

(74) *Attorney, Agent, or Firm*—Troxell Law Office, PLLC

(57) **CLAIM**

The ornamental design for a peripheral switch, as shown and described.

DESCRIPTION

FIG. 1 is a perspective view of a peripheral switch, showing my new design;

FIG. 2 is a front view thereof;

FIG. 3 is a rear view thereof;

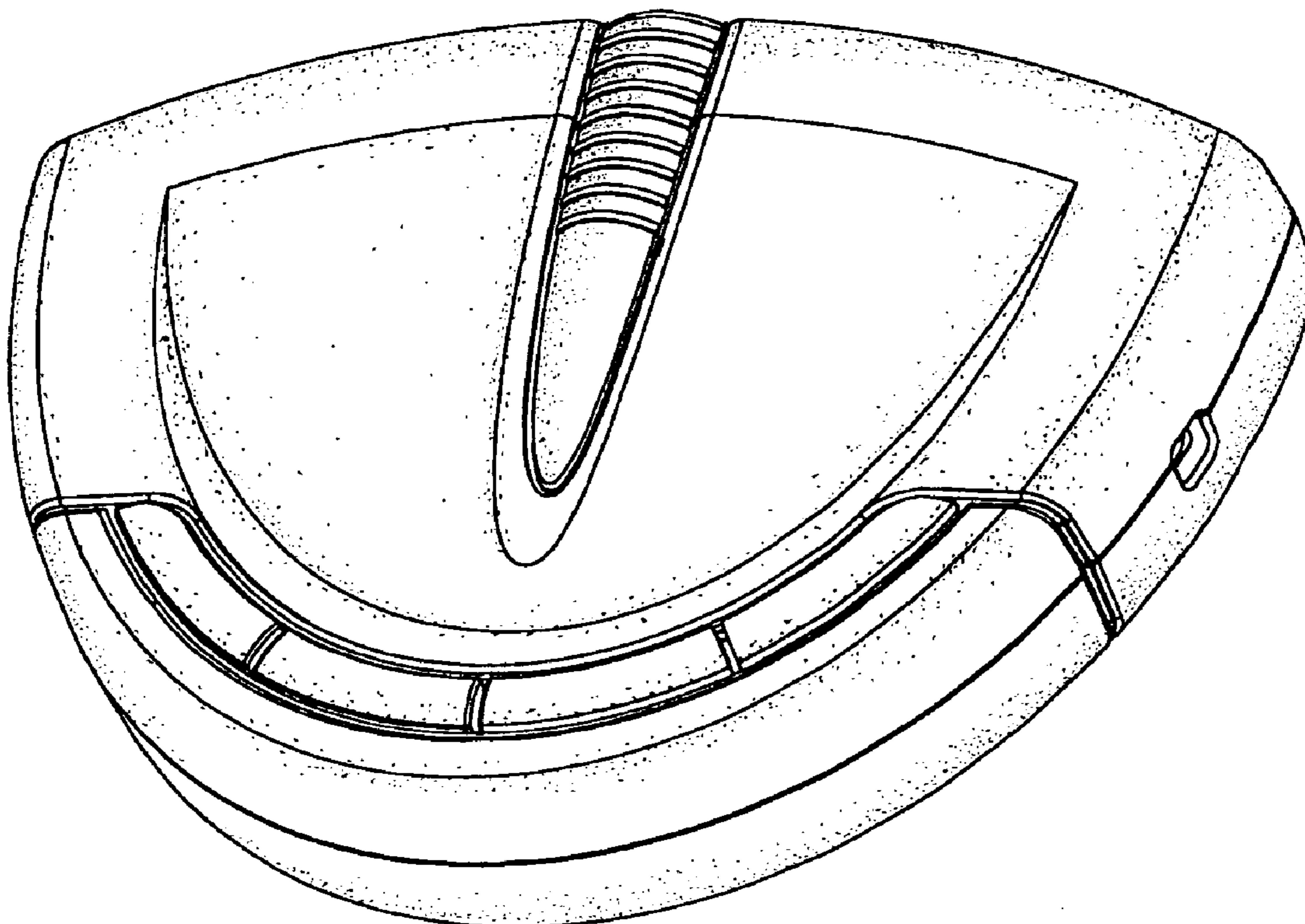
FIG. 4 is a left side view thereof;

FIG. 5 is a right side view thereof;

FIG. 6 is a top view thereof; and,

FIG. 7 is a bottom view thereof.

1 Claim, 4 Drawing Sheets



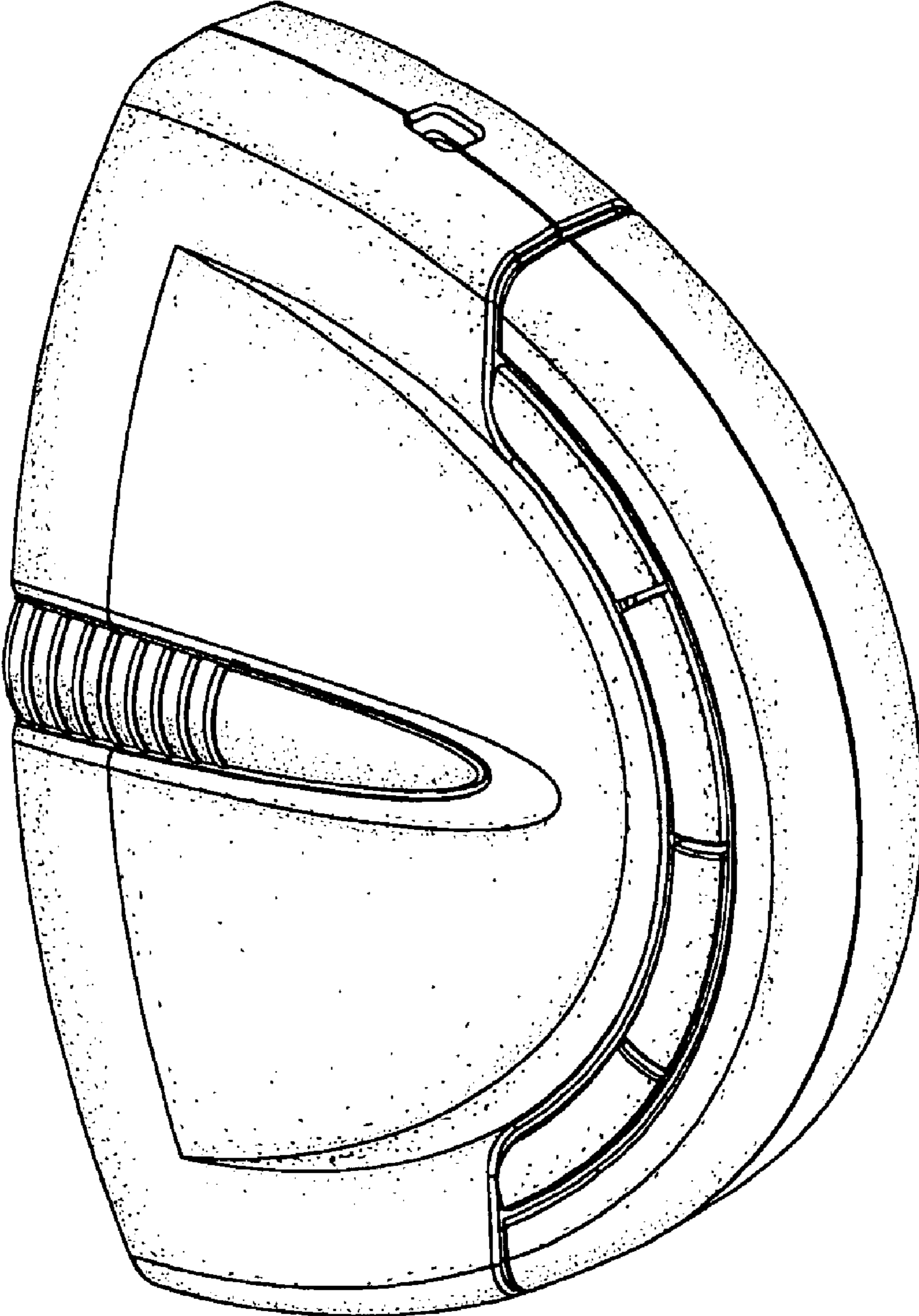


FIG. 1

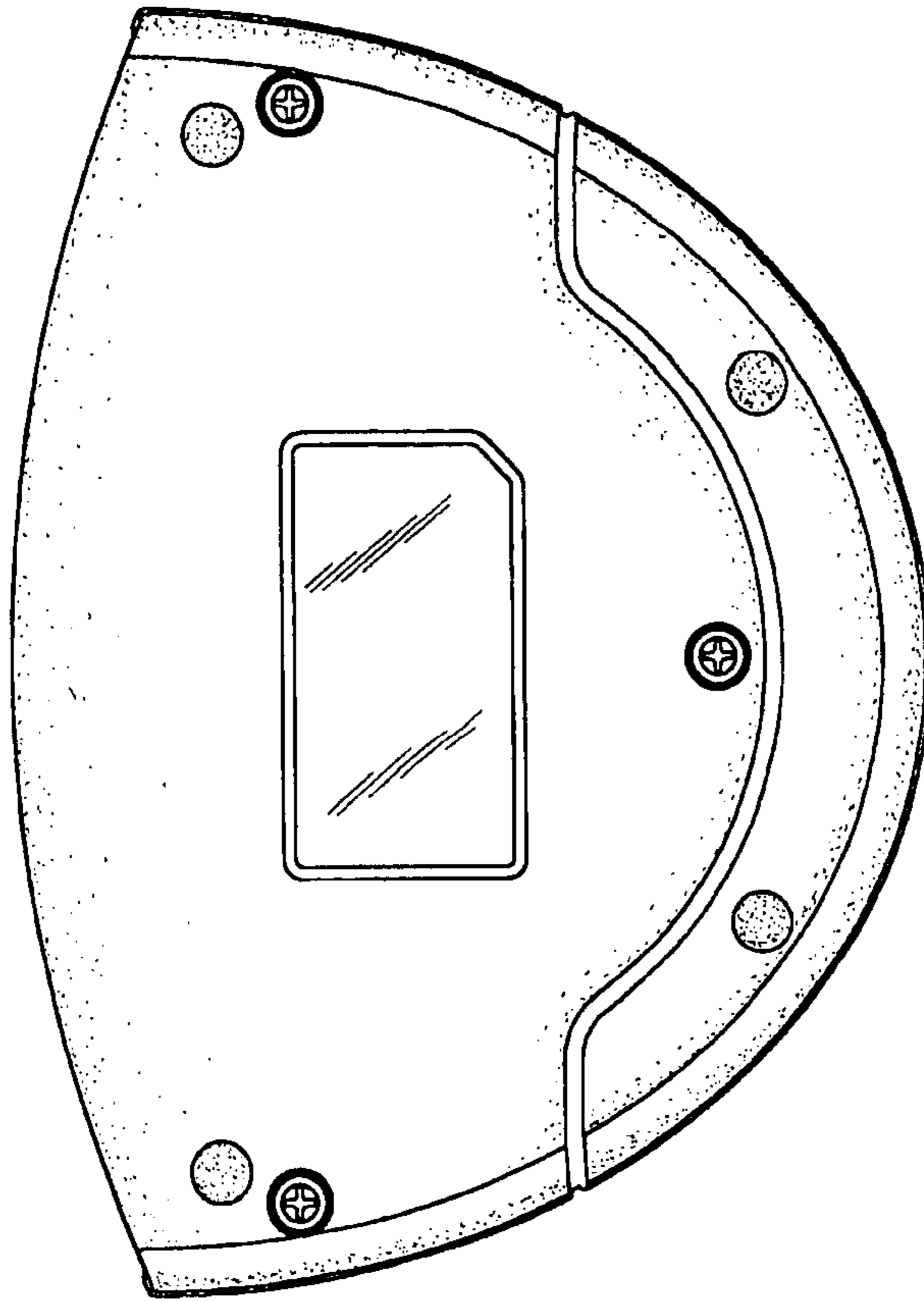


FIG. 3

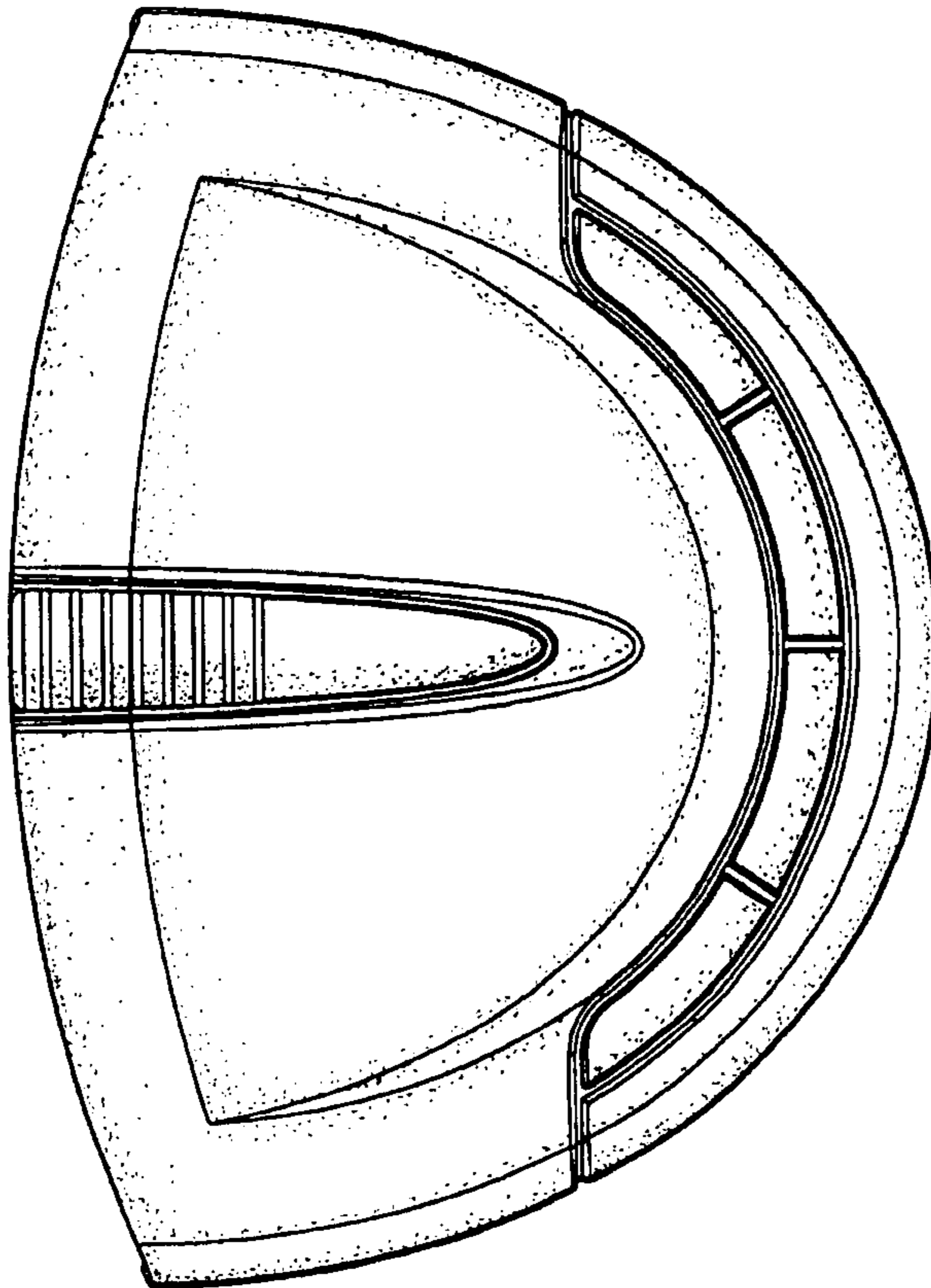


FIG. 2

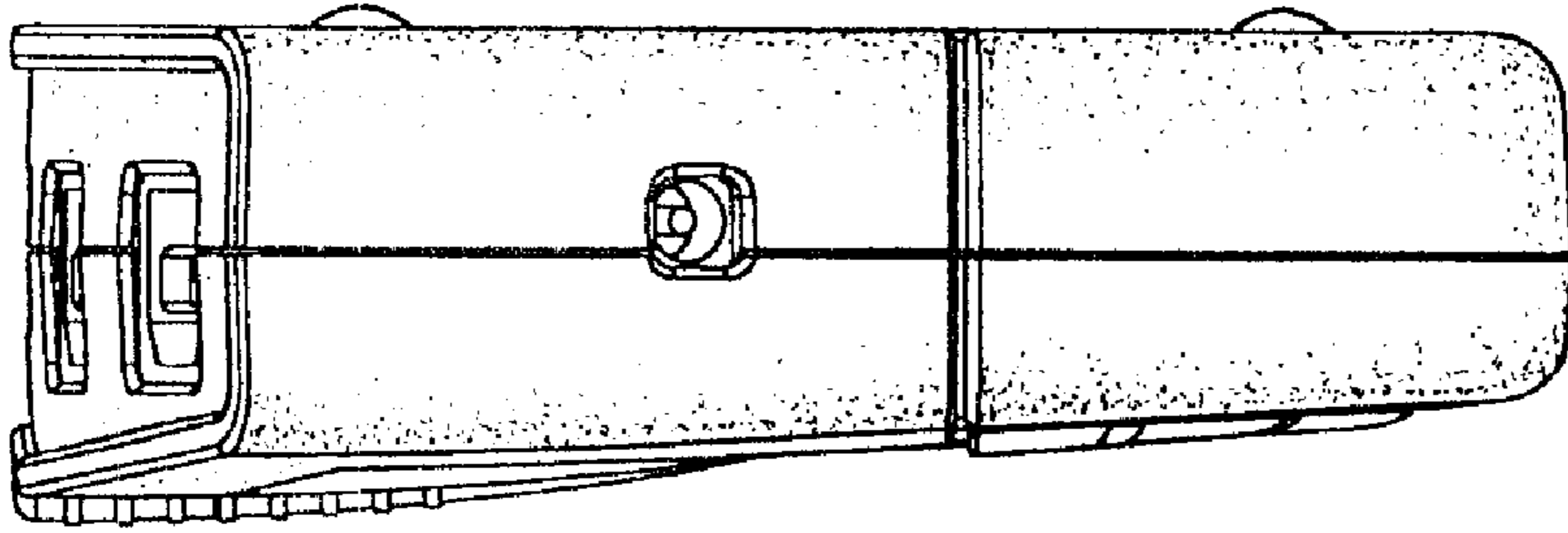


FIG. 5

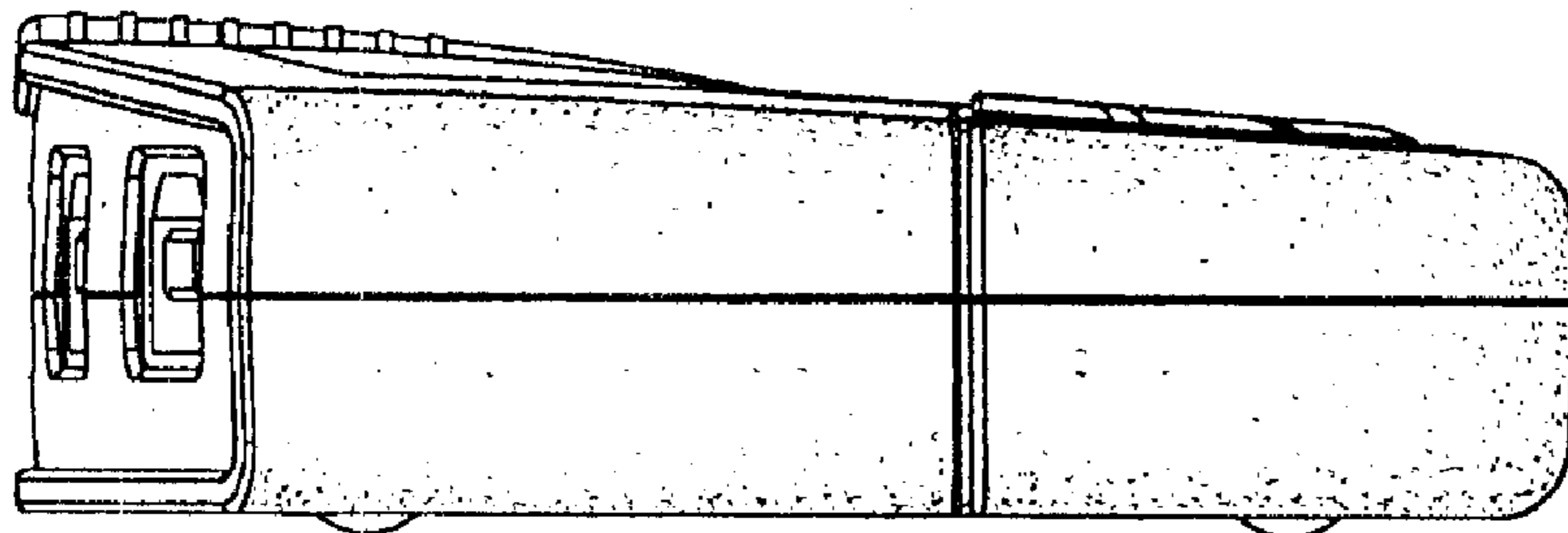


FIG. 4

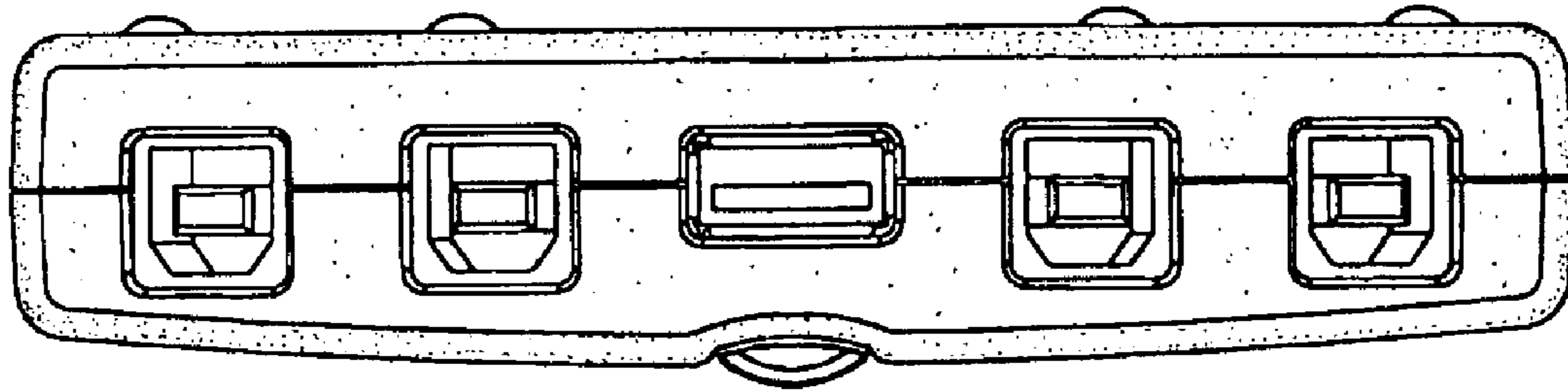


FIG. 6

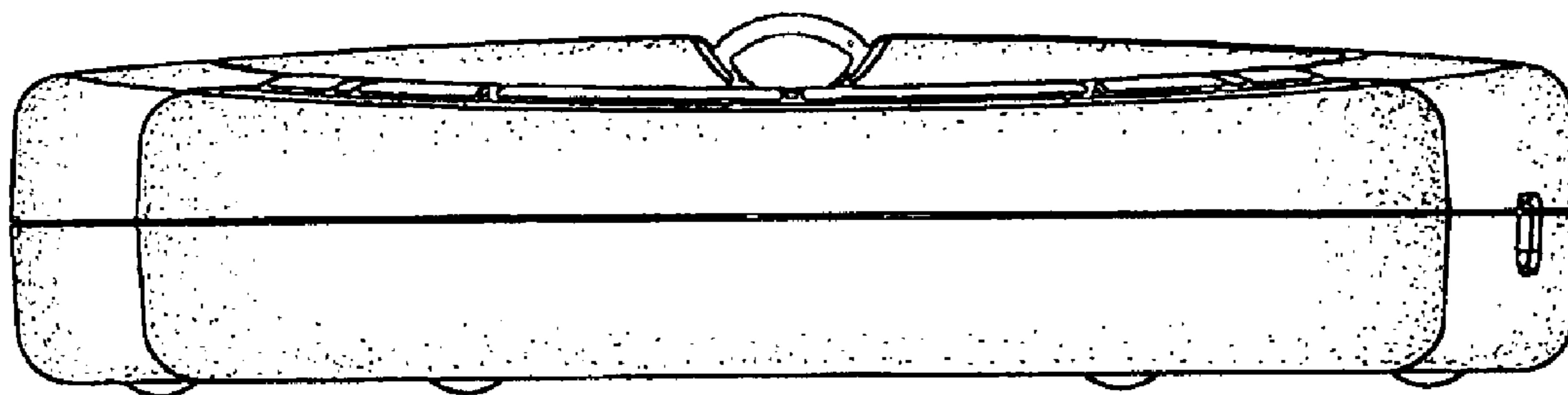


FIG. 7