



US00D524246S

(12) **United States Design Patent**  
**Wang et al.**

(10) **Patent No.:** **US D524,246 S**  
(45) **Date of Patent:** **\*\* Jul. 4, 2006**

(54) **CAMERA MODULE SOCKET CONNECTOR**

(75) Inventors: **Chin Chou Wang**, Tucheng (TW); **Yi Chiu Kao**, Tucheng (TW); **Chung Hsin Huang**, Tucheng (TW)

(73) Assignee: **Cheng, Uei Precision Industry Co., Ltd.**, Taipei (TW)

(\*\*) Term: **14 Years**

(21) Appl. No.: **29/224,749**

(22) Filed: **Mar. 8, 2005**

(51) **LOC (8) Cl.** ..... **13-03**

(52) **U.S. Cl.** ..... **D13/147**

(58) **Field of Classification Search** ..... D13/133,  
D13/146-147, 154, 199; 439/71-73, 266,  
439/326, 330-331, 630, 638

See application file for complete search history.

(56) **References Cited**

**U.S. PATENT DOCUMENTS**

5,073,116 A \* 12/1991 Beck, Jr. .... 439/71  
5,073,117 A \* 12/1991 Malhi et al. .... 439/71

D493,427 S \* 7/2004 Nishio et al. .... D13/147  
D502,144 S \* 2/2005 Nishio et al. .... D13/147  
D502,921 S \* 3/2005 Zhang et al. .... D13/147  
2005/0239302 A1 \* 10/2005 Wada ..... 439/71

\* cited by examiner

*Primary Examiner*—Stella Reid  
*Assistant Examiner*—Daniel Bui

(74) *Attorney, Agent, or Firm*—Rosenberg, Klein & Lee

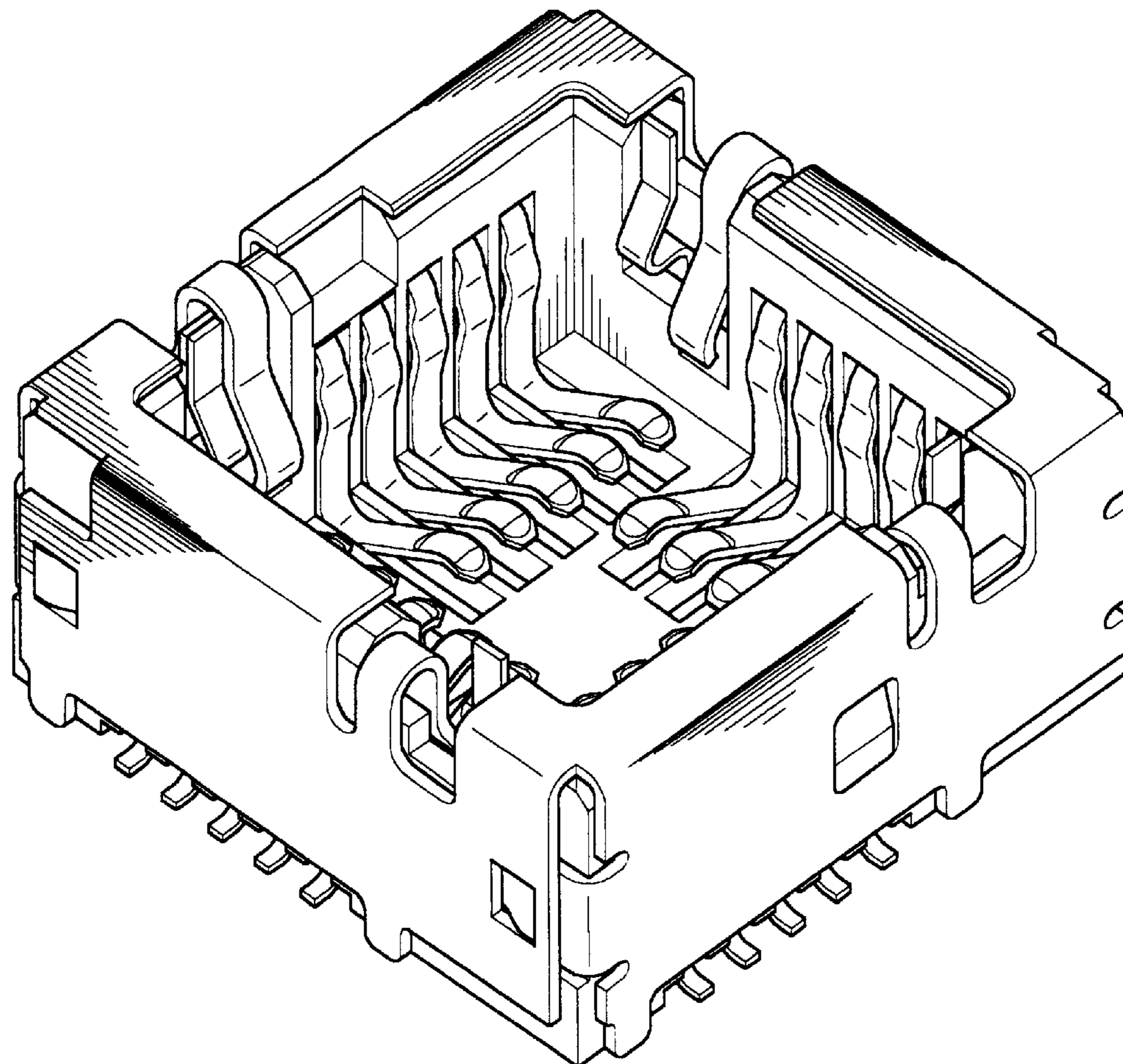
(57) **CLAIM**

The ornamental design for a camera module socket connector, as shown and described.

**DESCRIPTION**

FIG. 1 is a perspective view of a camera module socket connector showing our new design; FIG. 2 is a front elevational view thereof; FIG. 3 is a rear elevational view thereof; FIG. 4 is a left side elevational view thereof; FIG. 5 is a right side elevational view thereof; FIG. 6 is a top plan view thereof; and, FIG. 7 is a bottom plan view thereof.

**1 Claim, 5 Drawing Sheets**



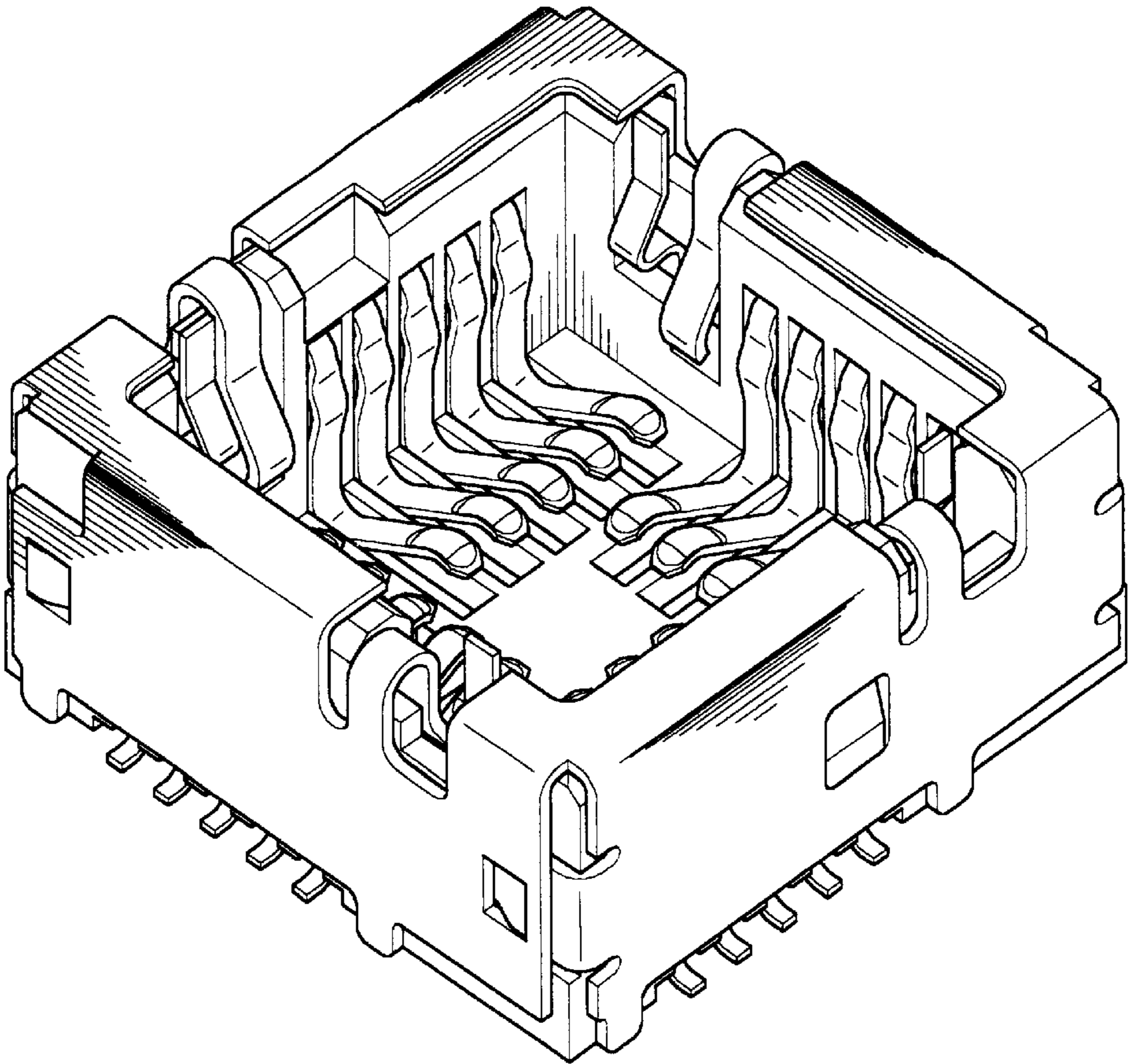


FIG. 1

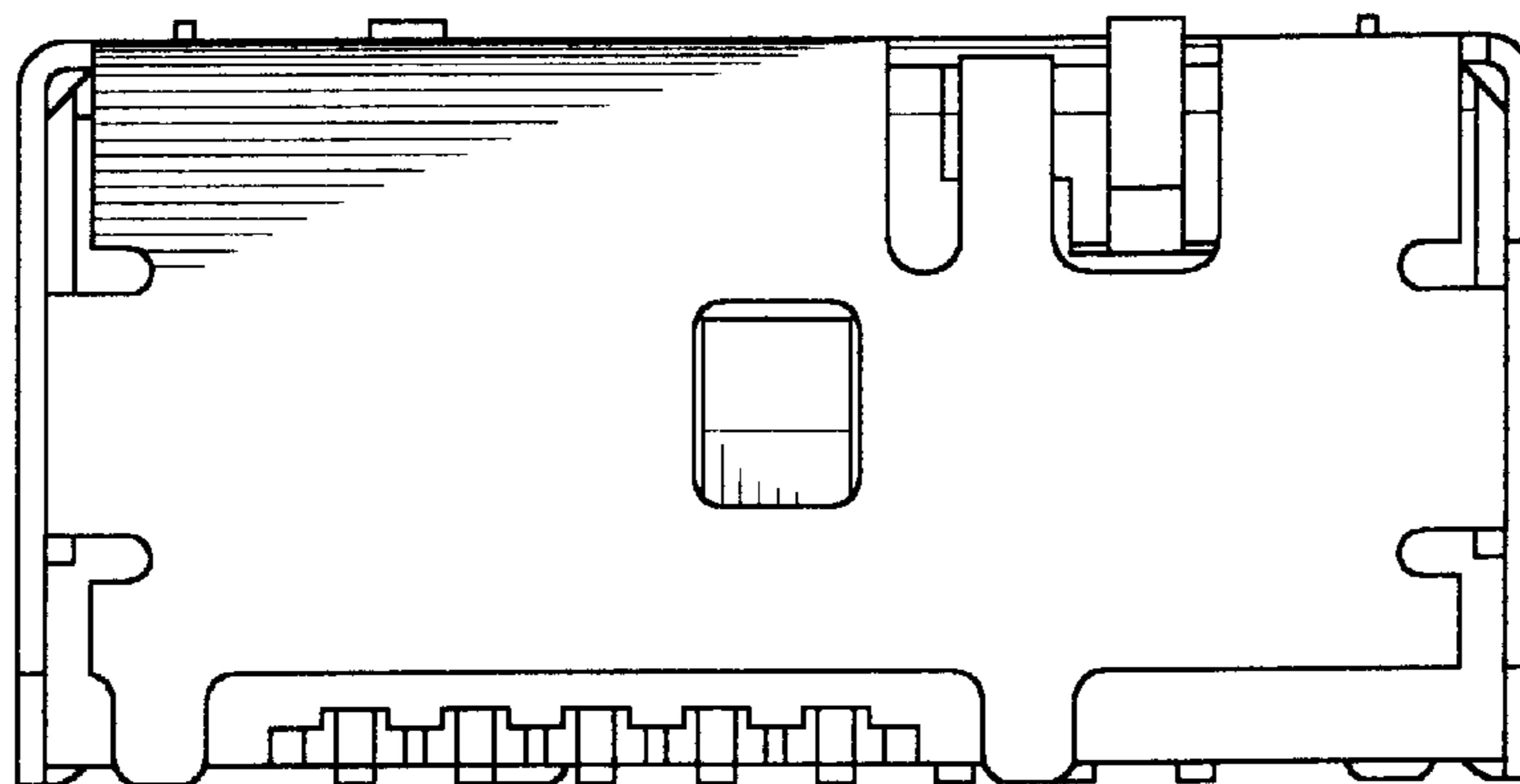


FIG. 2

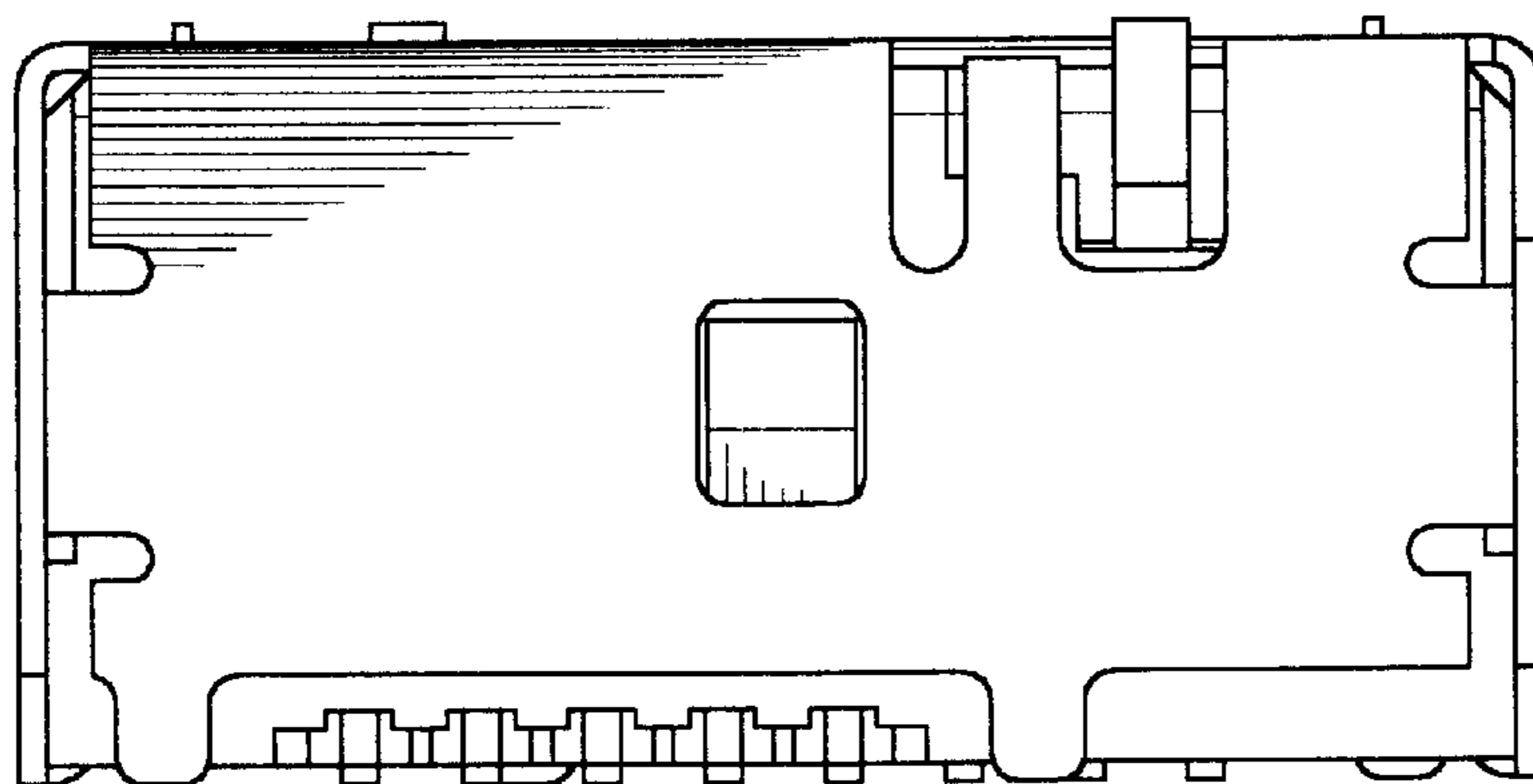


FIG. 3

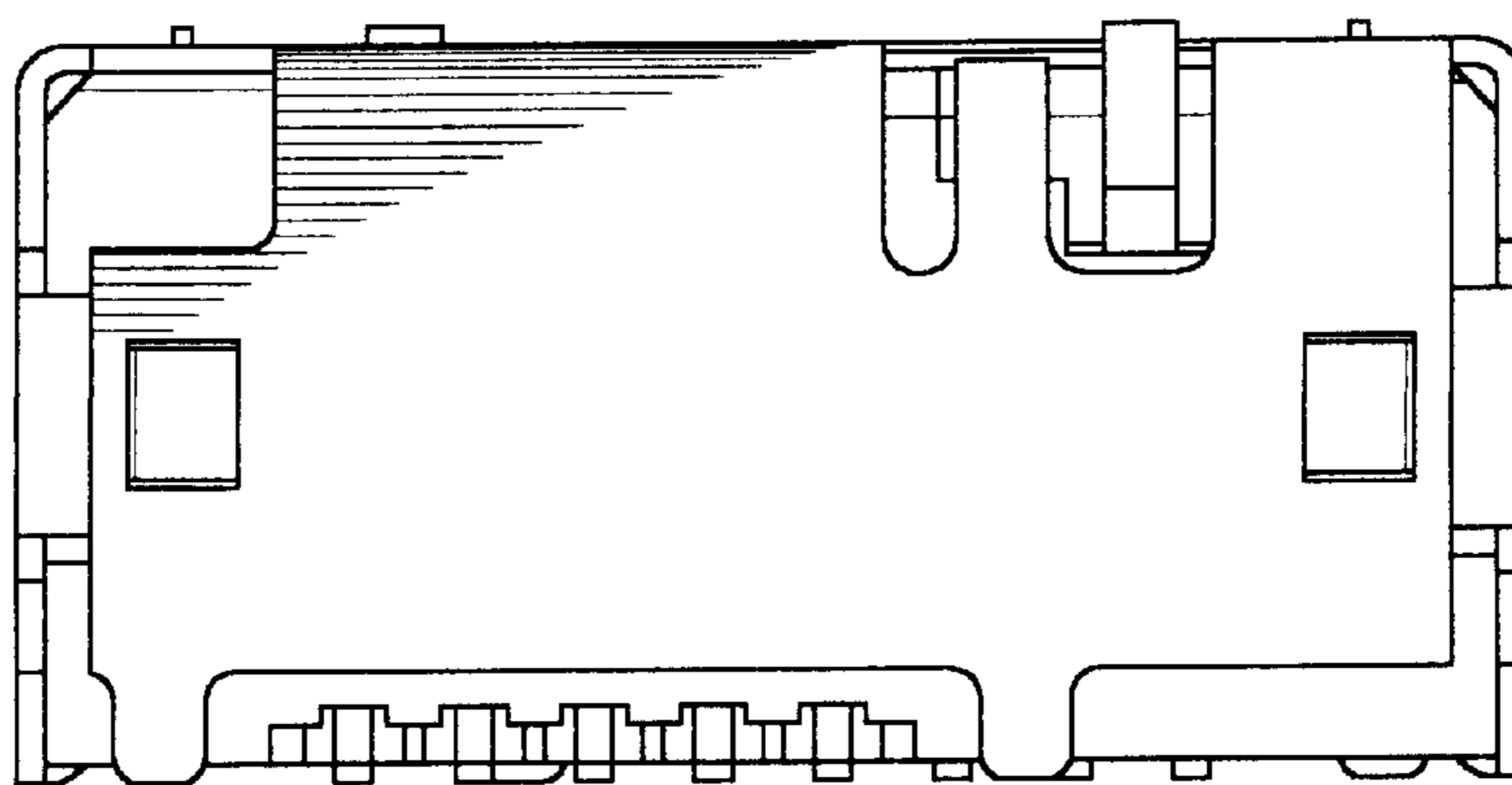


FIG. 4

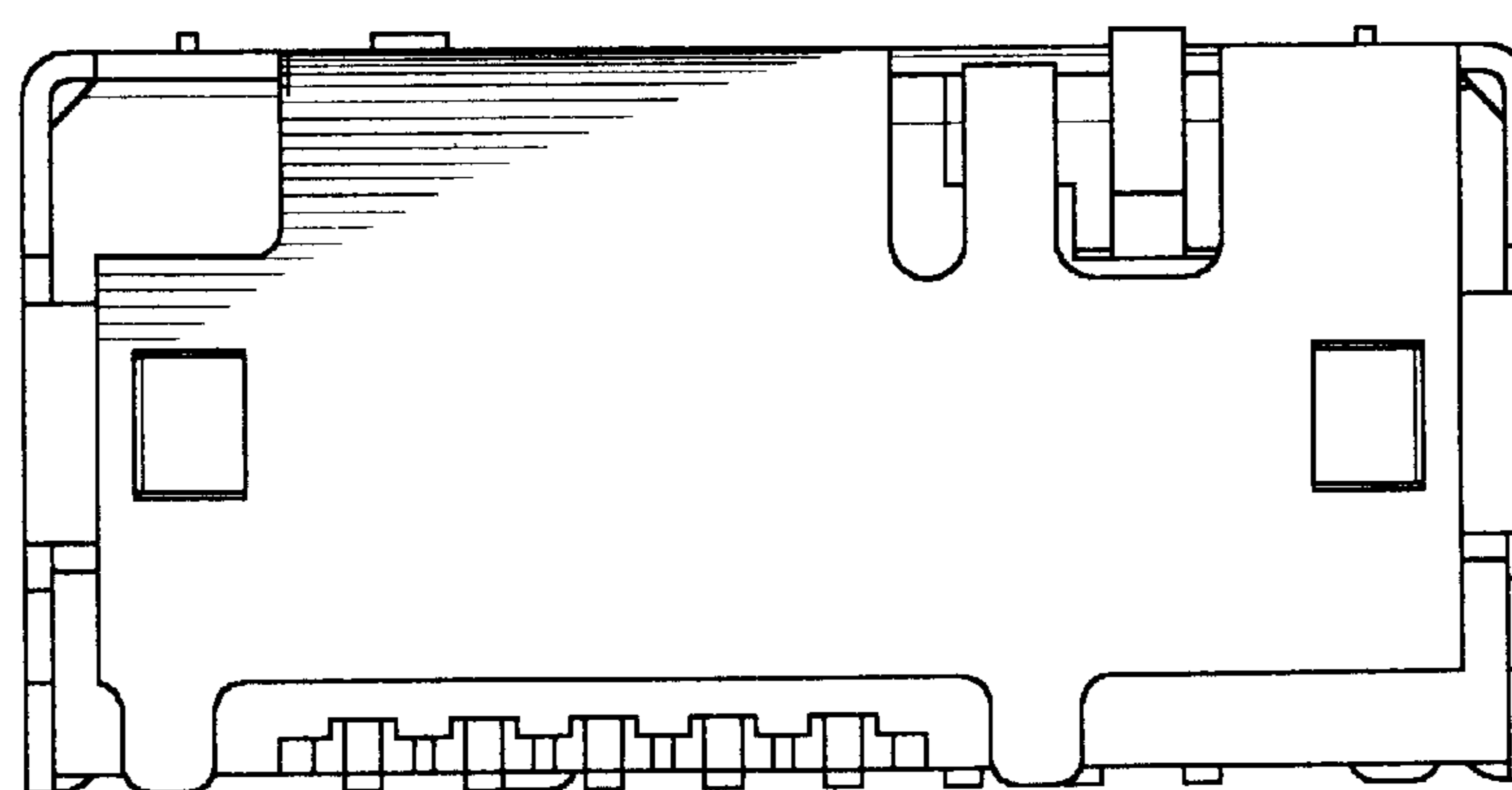


FIG. 5

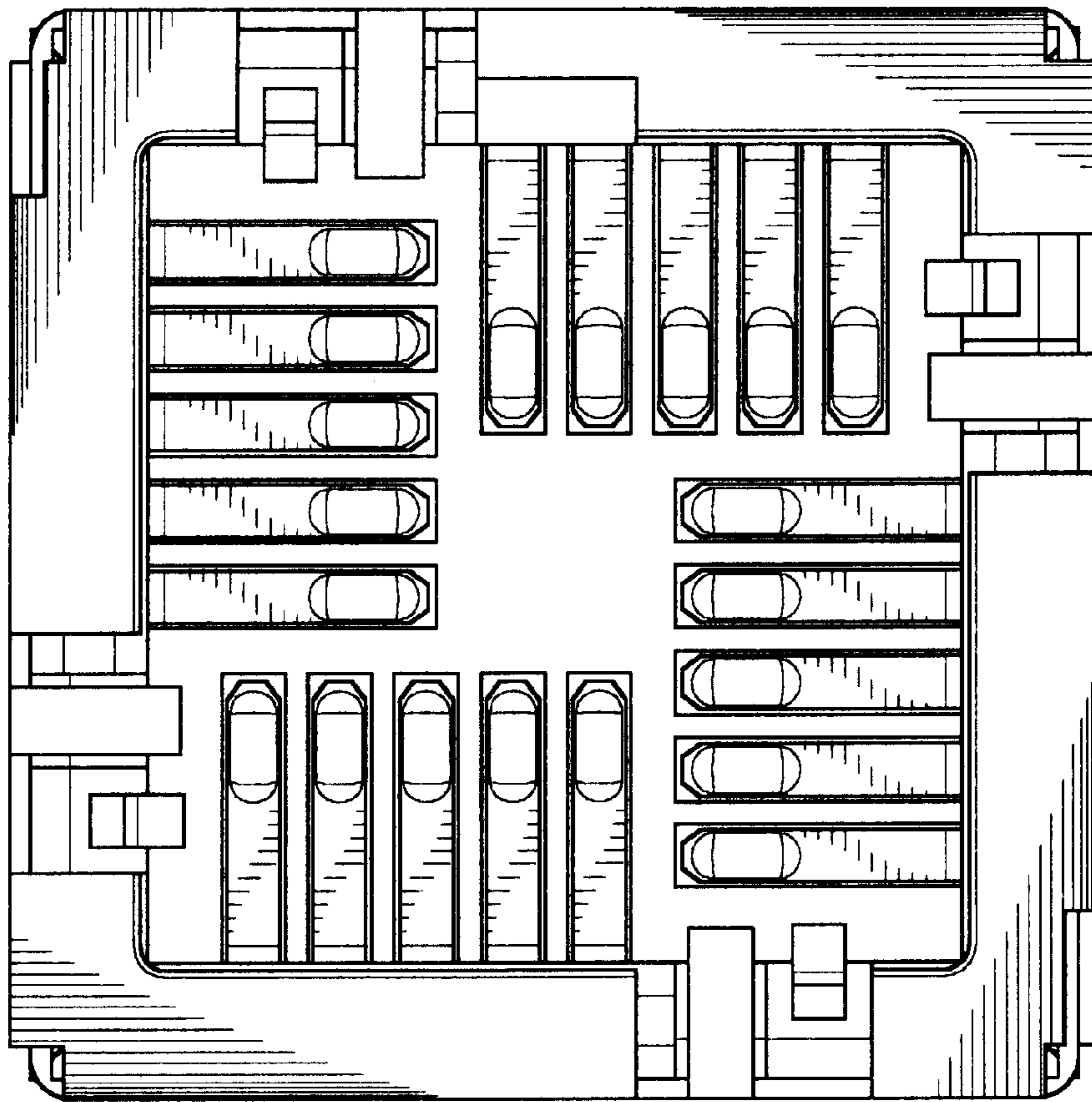


FIG. 6

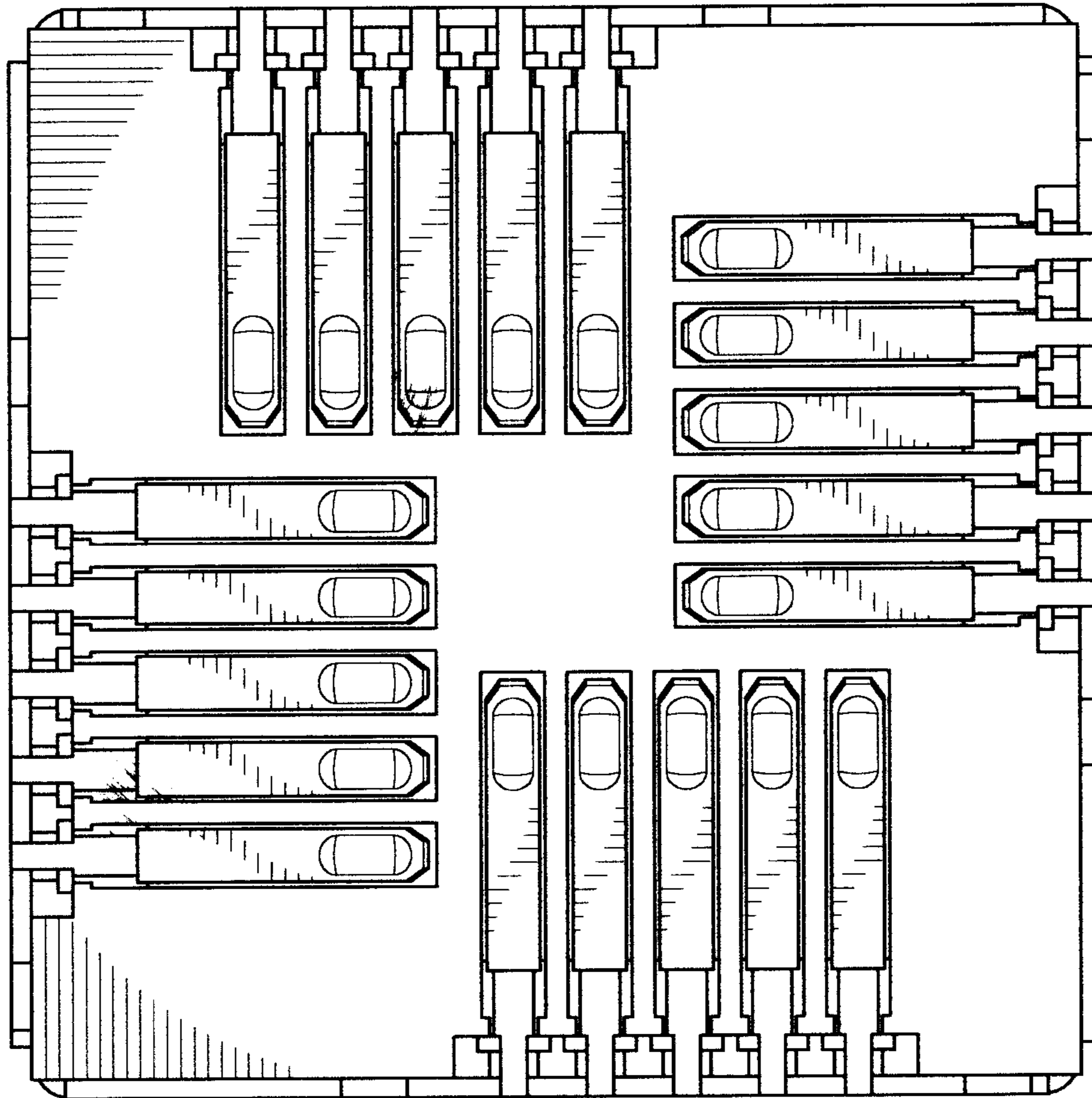


FIG. 7