



US00D524245S

(12) **United States Design Patent**  
**Carson et al.**

(10) **Patent No.:** **US D524,245 S**  
(45) **Date of Patent:** **\*\* Jul. 4, 2006**

(54) **DIMMER MODULE**

(75) Inventors: **Steven R. Carson**, Allen, TX (US);  
**John Eric King**, Plano, TX (US)

(73) Assignee: **Genlyte Thomas Group LLC**,  
Louisville, KY (US)

(\*\*) Term: **14 Years**

(21) Appl. No.: **29/195,590**

(22) Filed: **Dec. 15, 2003**

(51) **LOC (8) Cl.** ..... **13-03**

(52) **U.S. Cl.** ..... **D13/110; D13/125**

(58) **Field of Classification Search** ..... D13/101,  
D13/110, 112, 123, 125, 184, 199; D14/188;  
315/112, 199, 295, 362; 361/62, 600  
See application file for complete search history.

(56) **References Cited**

**U.S. PATENT DOCUMENTS**

D169,922 S	*	6/1953	Weissenstein	.....	D13/125
D201,884 S	*	8/1965	Blake et al.	.....	D13/125
D292,914 S	*	11/1987	Moeller	.....	D13/123
D387,333 S	*	12/1997	Pellow et al.	.....	D13/184
5,742,478 A	*	4/1998	Wu	.....	361/704
D396,720 S	*	8/1998	Yuyama	.....	D14/188
5,909,358 A	*	6/1999	Bradt	.....	361/707
D427,969 S	*	7/2000	Wei	.....	D13/110
D477,568 S	*	7/2003	Milby	.....	D13/110
6,603,276 B1	*	8/2003	Chansky et al.	.....	315/362
D503,677 S	*	4/2005	Wardenburg	.....	D13/110
D510,906 S	*	10/2005	Vinciarelli et al.	.....	D13/110

\* cited by examiner

*Primary Examiner*—Stella Reid  
*Assistant Examiner*—Daniel Bui

(74) *Attorney, Agent, or Firm*—Dennis T. Griggs

(57) **CLAIM**

The ornamental design for a dimmer module, as shown and described.

**DESCRIPTION**

FIG. 1 is a top plan view of a dimmer module showing our new design;

FIG. 2 is a front elevation view thereof, the rear elevation view being the mirror image thereof;

FIG. 3 is a right side elevation view thereof, the left side elevation view being the mirror image thereof;

FIG. 4 is a bottom plan view thereof;

FIG. 5 is a top perspective view thereof;

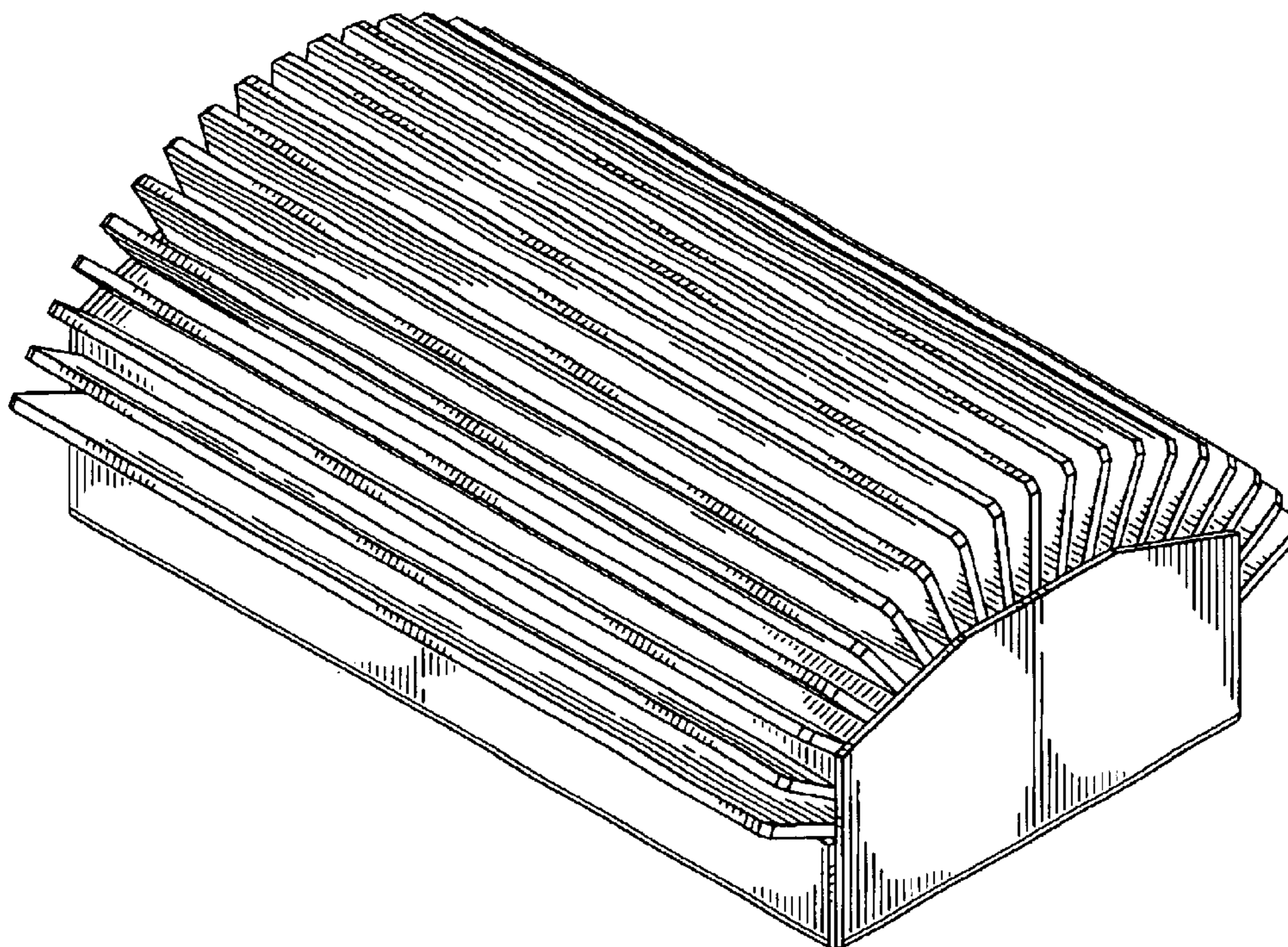
FIG. 6 is a bottom perspective view thereof;

FIG. 7 is a top plan view thereof, shown as the dimmer module appears in a typical pipe clamp mounted installation; FIG. 8 is a front elevation view thereof, shown as the dimmer module appears in a typical C-clamp mounted installation;

FIG. 9 is a rear elevation view thereof, shown as the dimmer module appears in a typical yoke mounted installation; and, FIG. 10 is a right side elevation view thereof, shown as the dimmer module appears in a typical wall mounted installation.

The dashed lines shown in FIGS. 7, 8, 9 and 10 represent environmental subject matter and form no part of the claimed design.

**1 Claim, 4 Drawing Sheets**



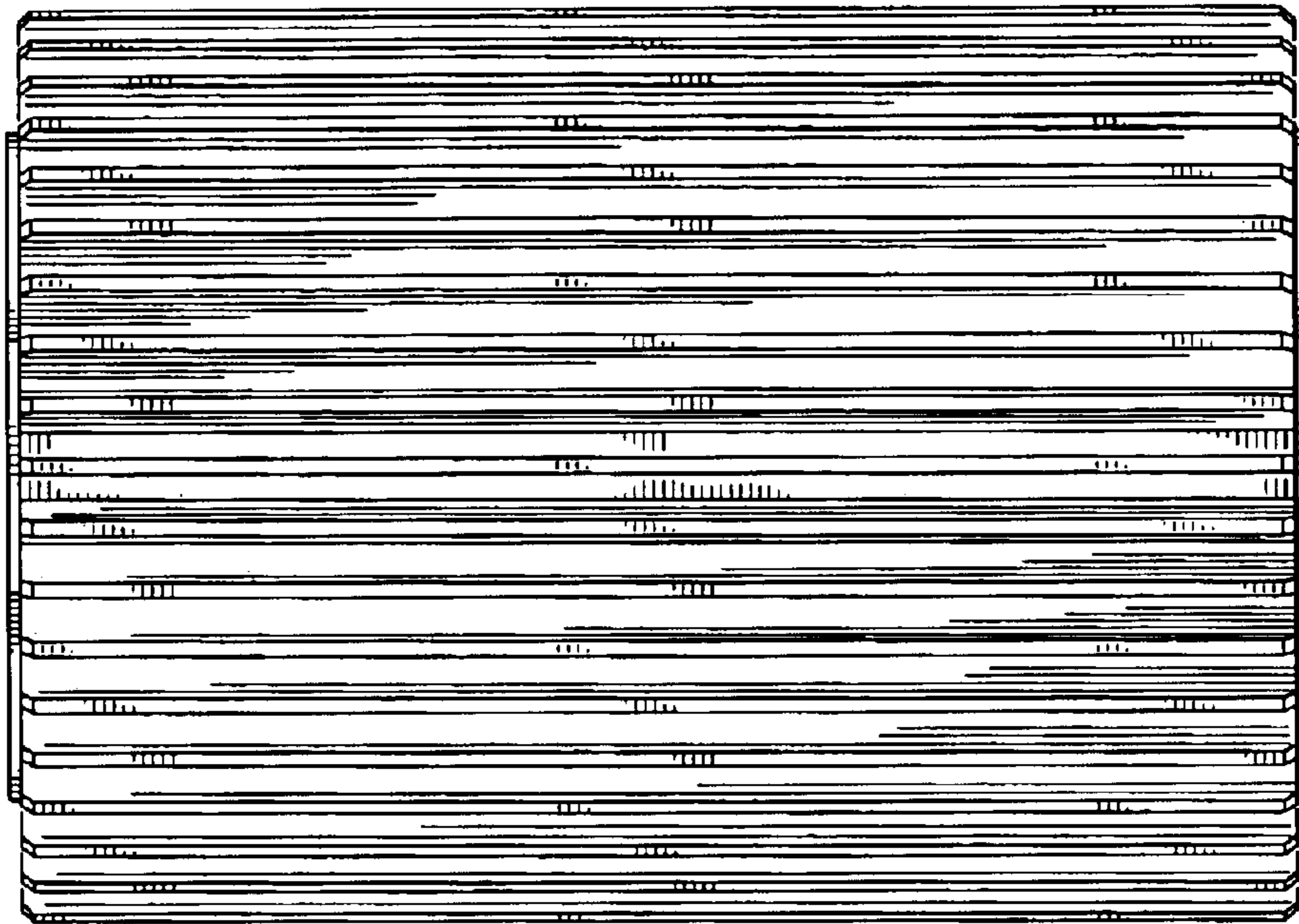


FIG. 1

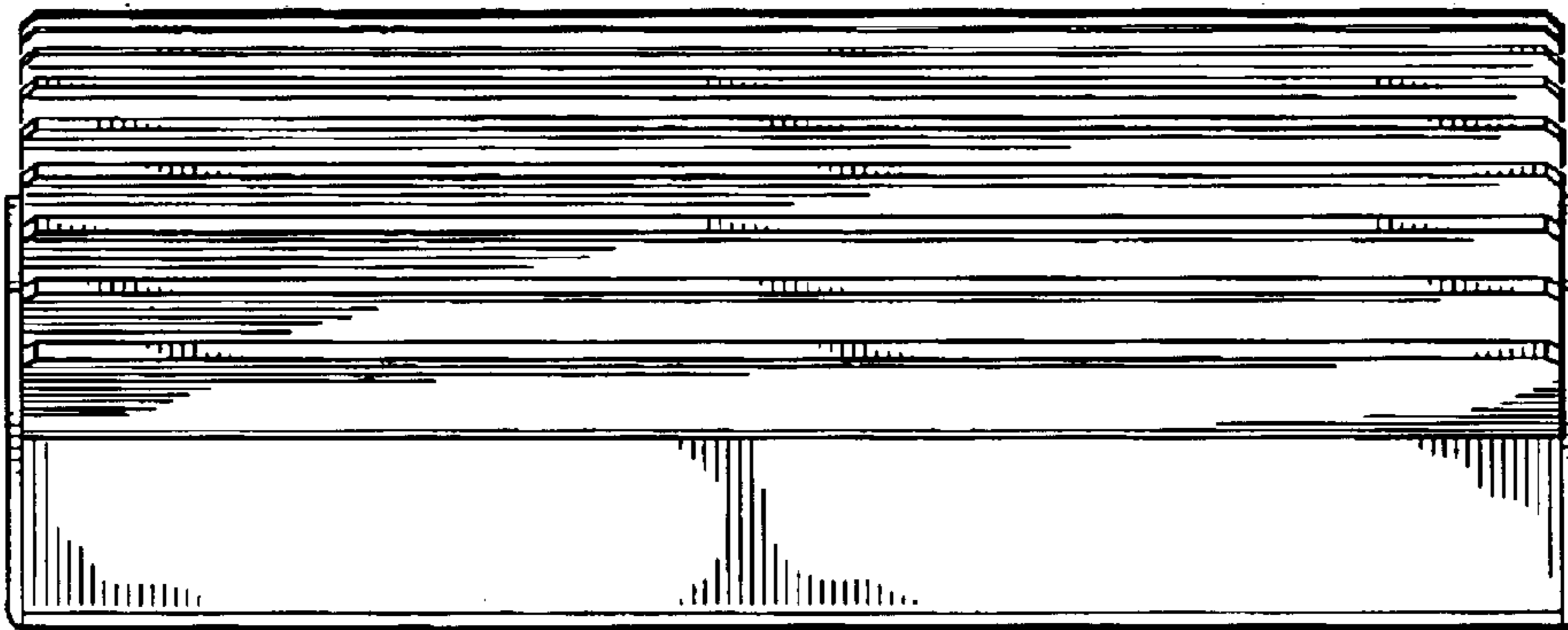


FIG. 2

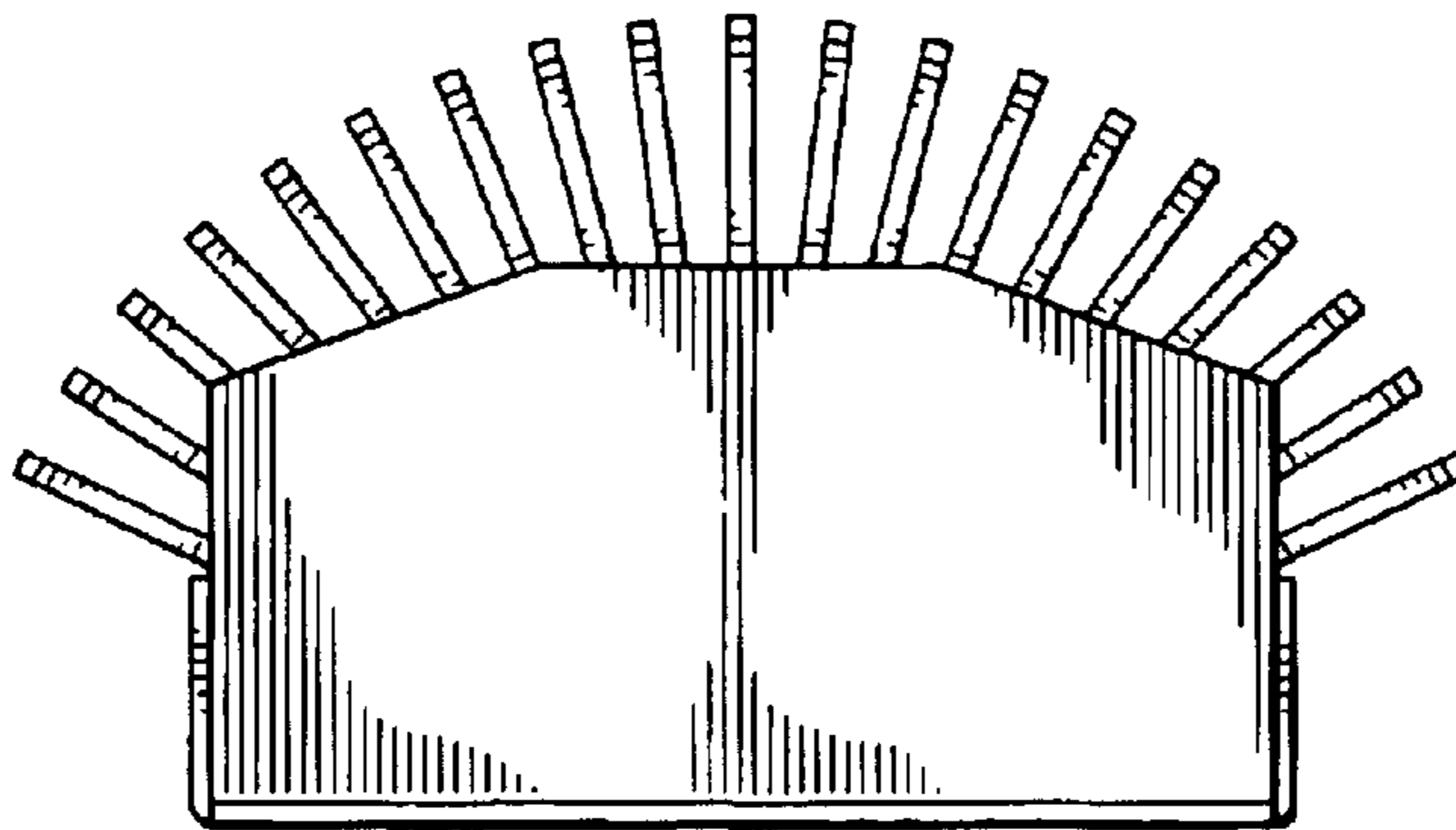
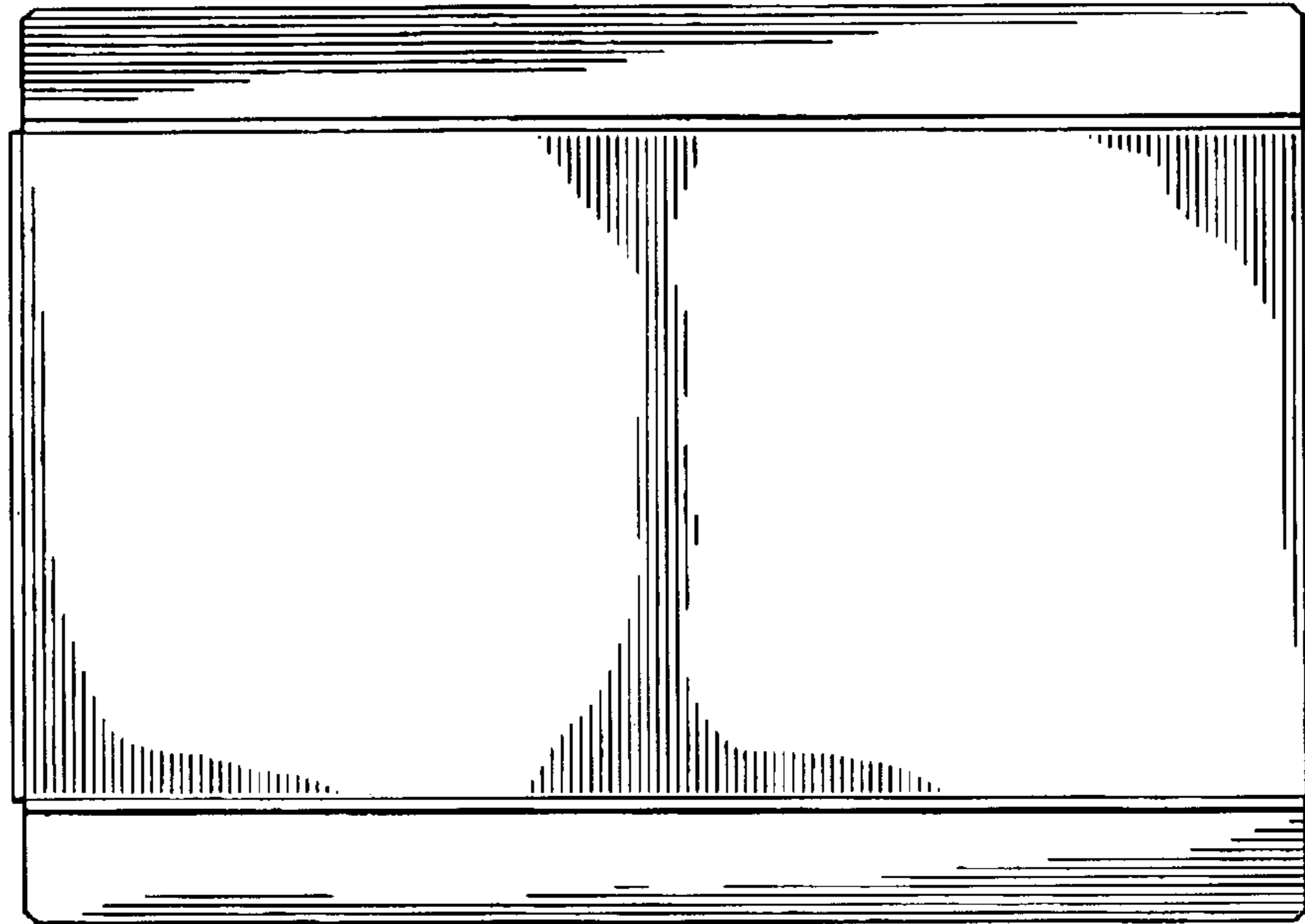
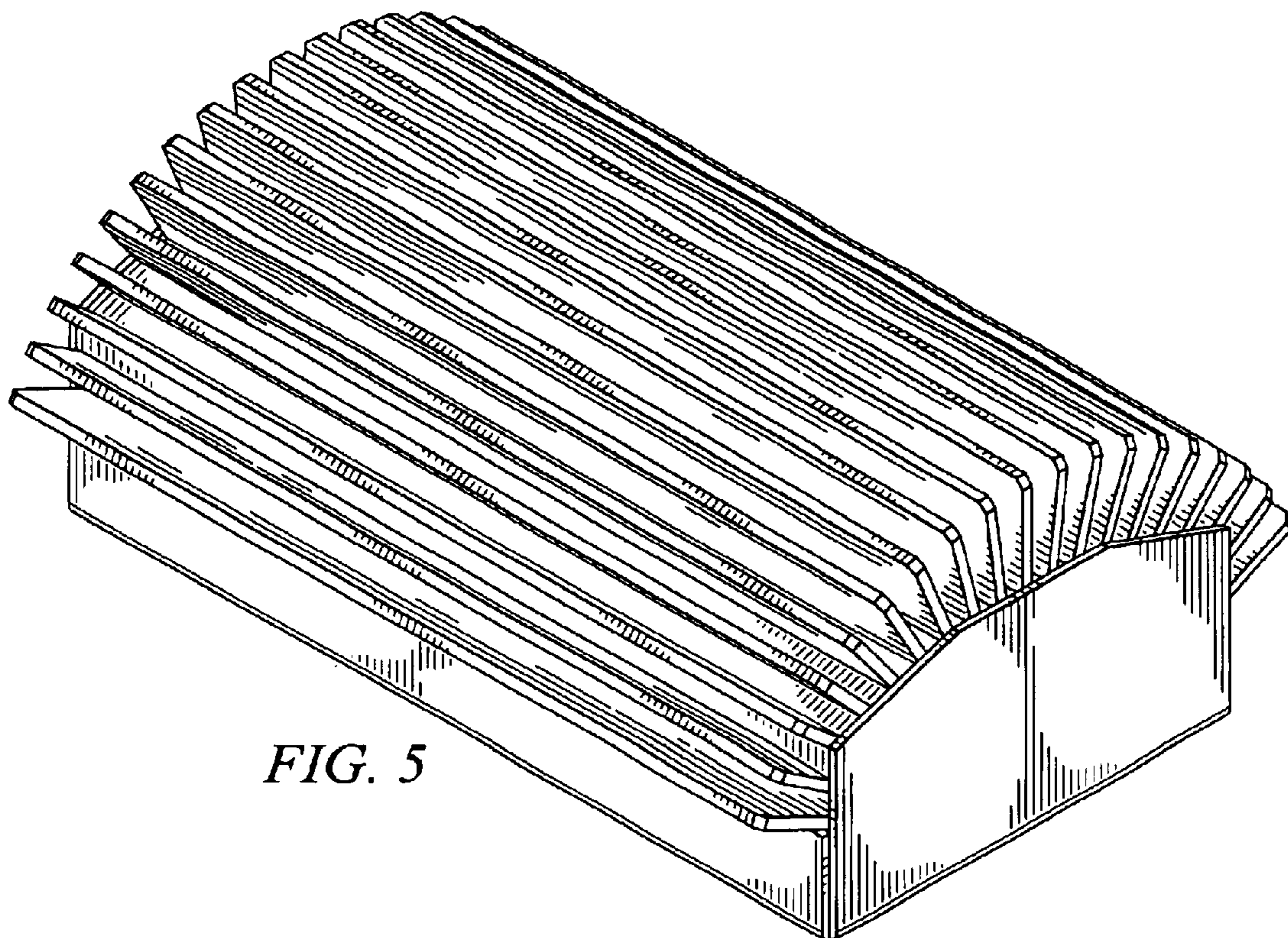


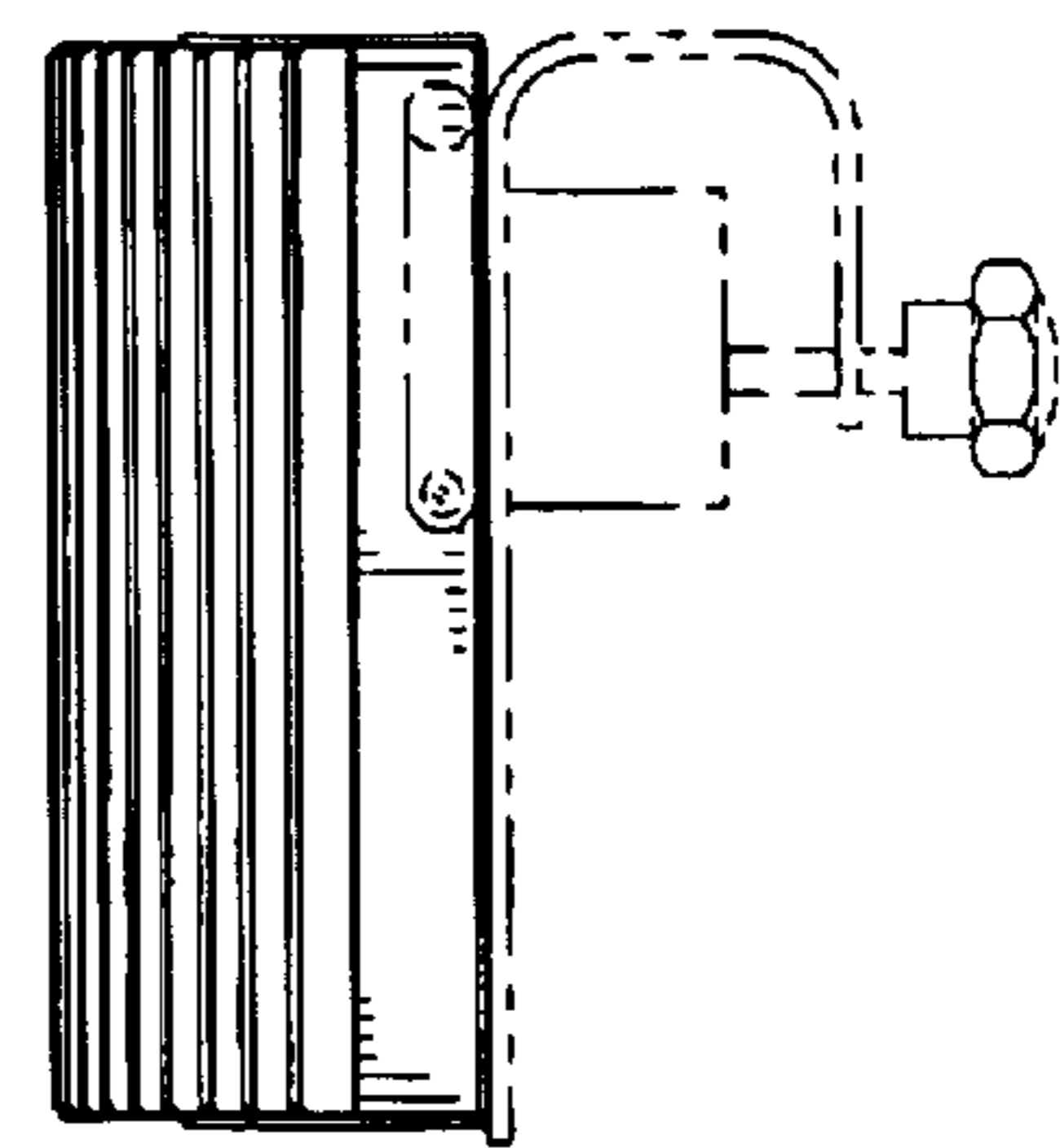
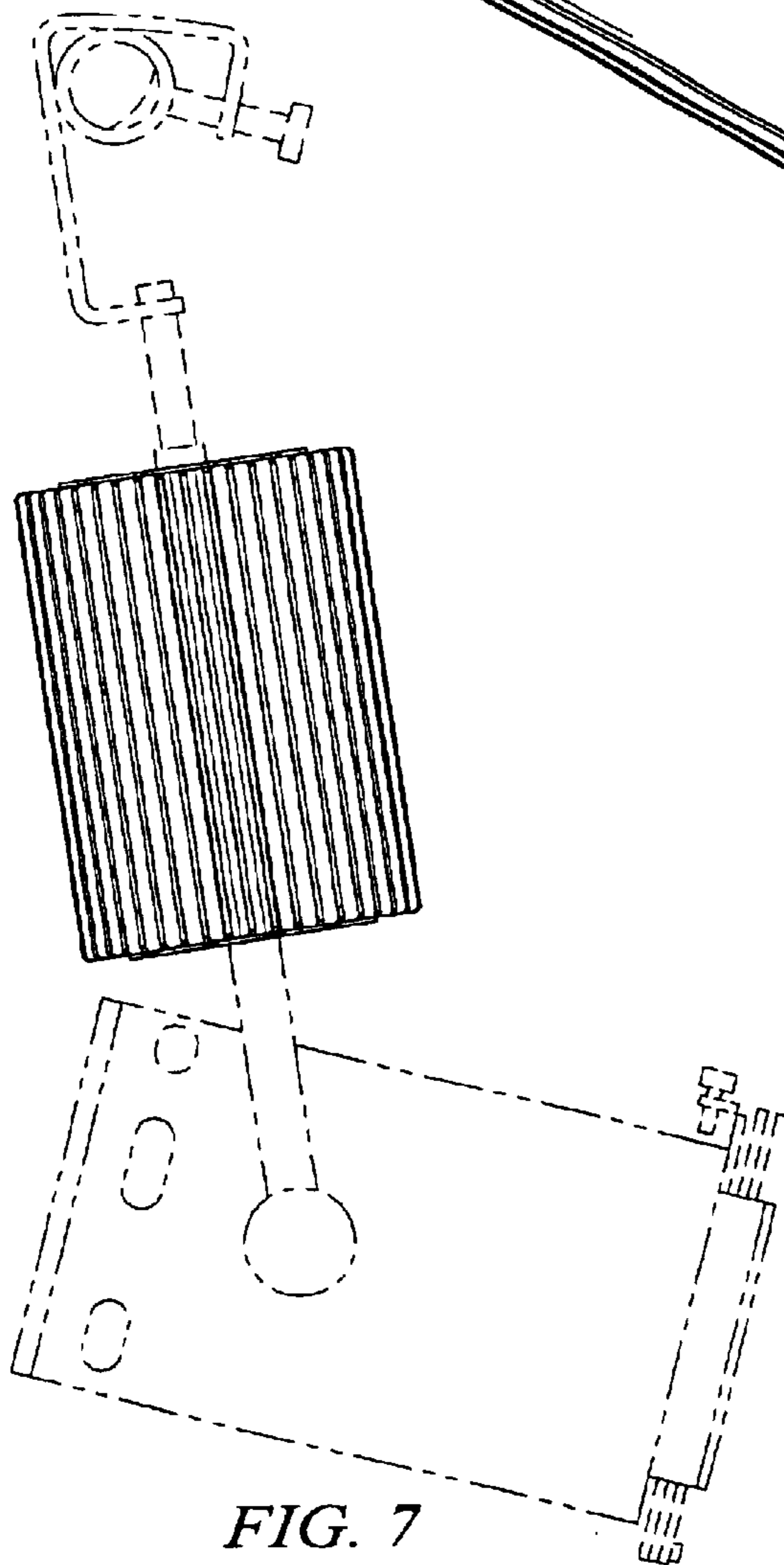
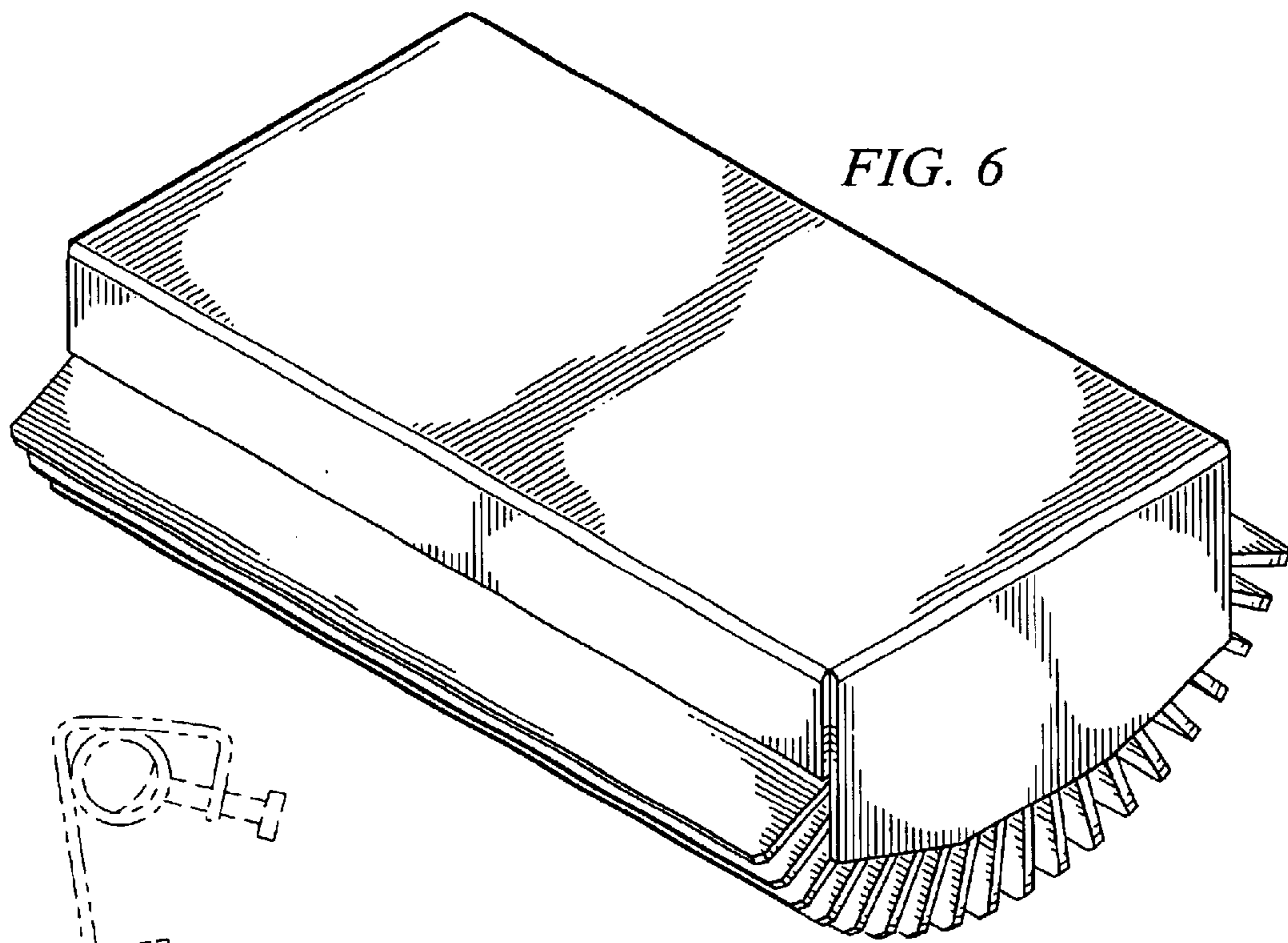
FIG. 3



*FIG. 4*



*FIG. 5*



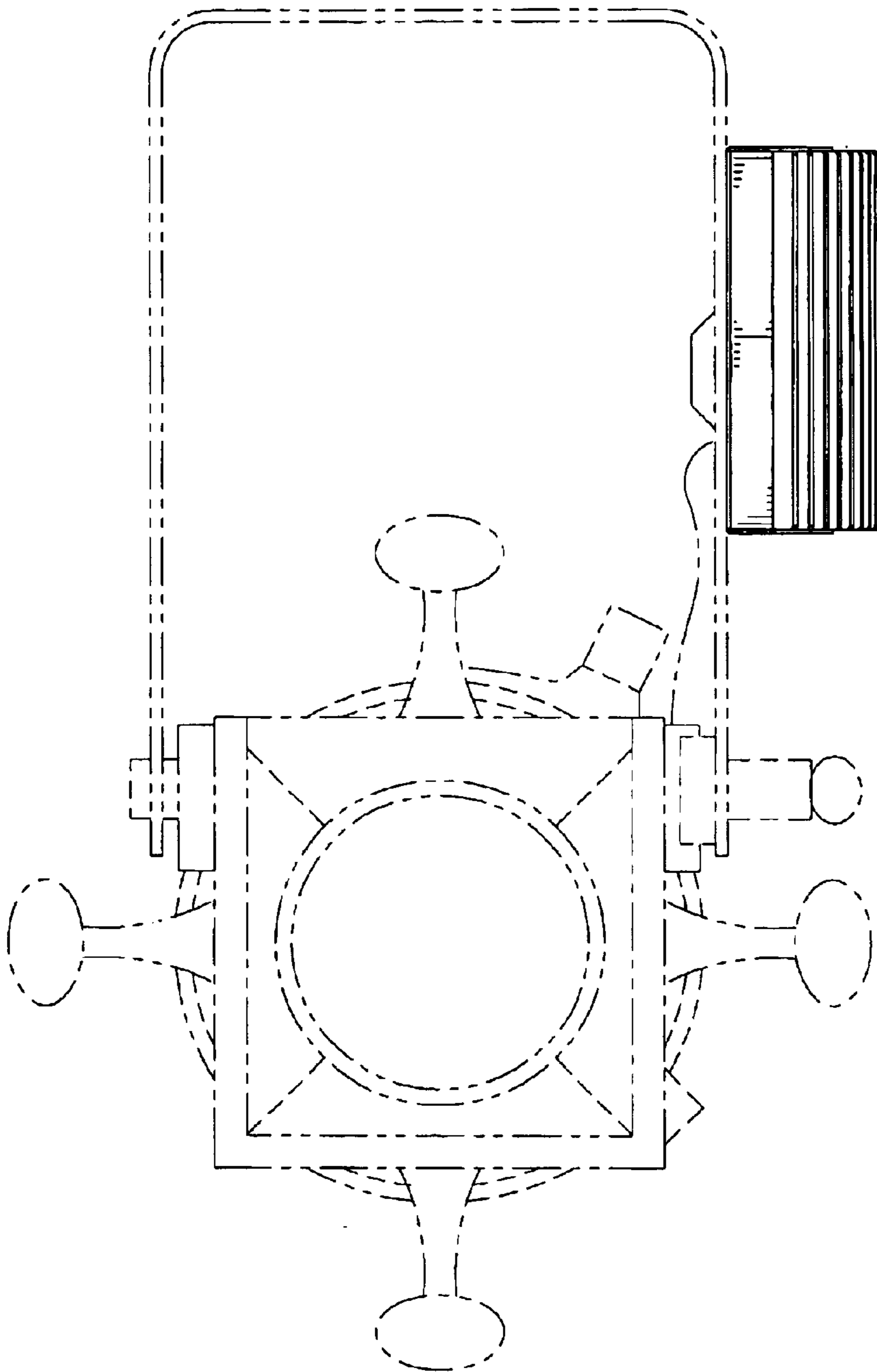


FIG. 9

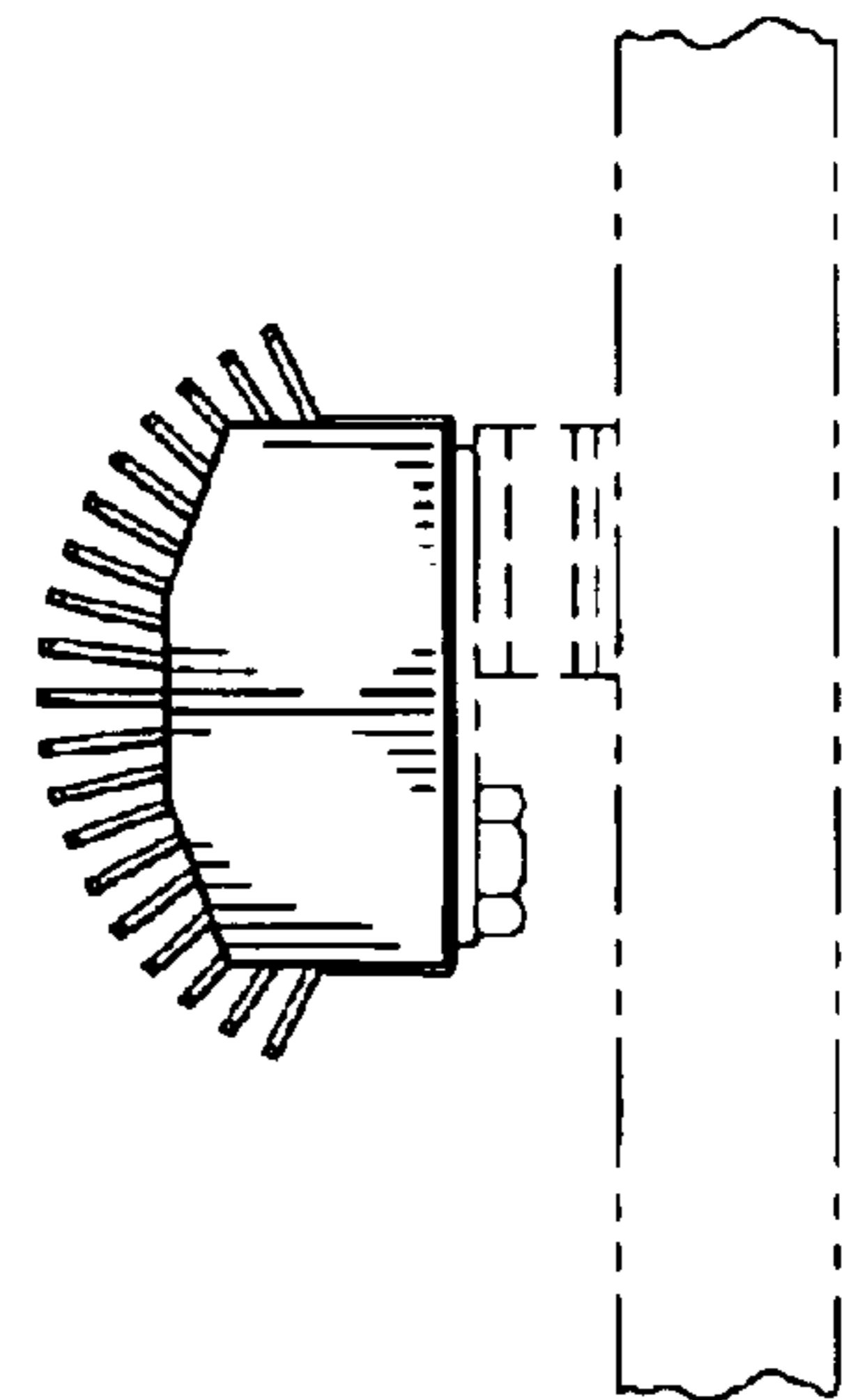


FIG. 10