



US00D524243S

(12) **United States Design Patent**
Lee

(10) **Patent No.:** **US D524,243 S**
(45) **Date of Patent:** **** Jul. 4, 2006**

(54) **CHARGER FOR INFORMATION TERMINALS**

(75) Inventor: **Jong-Seong Lee**, Seoul (KR)

(73) Assignee: **Samsung Electronics Co., Ltd.**, Suwon (KR)

(**) Term: **14 Years**

(21) Appl. No.: **29/204,291**

(22) Filed: **Apr. 28, 2004**

(30) **Foreign Application Priority Data**

Nov. 13, 2003 (KR) 2003-0032186

(51) **LOC (8) Cl.** **13-03**

(52) **U.S. Cl.** **D13/108; D13/108**

(58) **Field of Classification Search** D13/107-110,
D13/118-119, 184; D14/251, 253, 432, 434;
320/107-115

See application file for complete search history.

(56) **References Cited**

U.S. PATENT DOCUMENTS

D300,678 S	*	4/1989	Barrault	D32/73
D363,284 S	*	10/1995	Solomita	D14/149
5,656,914 A	*	8/1997	Nagele et al.	320/110
D414,180 S	*	9/1999	Waldner	D14/149
D439,908 S	*	4/2001	Gozani	D14/434
D442,141 S	*	5/2001	Ikenaga	D13/107
D462,950 S	*	9/2002	Waffensmith et al.	D14/251
D467,539 S	*	12/2002	Kataoka	D13/108
D471,548 S	*	3/2003	Zheng	D14/253

D474,737 S	*	5/2003	Yoshida	D13/108
D475,417 S	*	6/2003	Wintersteiger	D21/329
D489,323 S	*	5/2004	Yoshida	D13/108
D501,191 S	*	1/2005	Siebke	D14/149
D507,526 S	*	7/2005	Ohta	D13/108
D508,019 S	*	8/2005	Lamason et al.	D13/108
D508,458 S	*	8/2005	Solland et al.	D13/108

* cited by examiner

Primary Examiner—Alan P. Douglas

Assistant Examiner—Rosemary K. Tarcza

(74) *Attorney, Agent, or Firm*—Leydig, Voit & Mayer, Ltd.

(57) **CLAIM**

I claim the ornamental design for a charger for information terminals, as shown and described.

DESCRIPTION

FIG. 1 is a perspective view of a charger for information terminals according to my new design when closed;

FIG. 2 is a front view thereof;

FIG. 3 is a rear view thereof;

FIG. 4 is a left side view thereof;

FIG. 5 is a right side view thereof;

FIG. 6 is a top view thereof;

FIG. 7 is a bottom view thereof;

FIG. 8 is a front view thereof, when charging a portable information terminal;

FIG. 9 is a side view thereof, when charging a portable information terminal; and,

FIG. 10 is an alternative front view thereof, when charging a portable information terminal in a position different from FIG. 8.

1 Claim, 7 Drawing Sheets

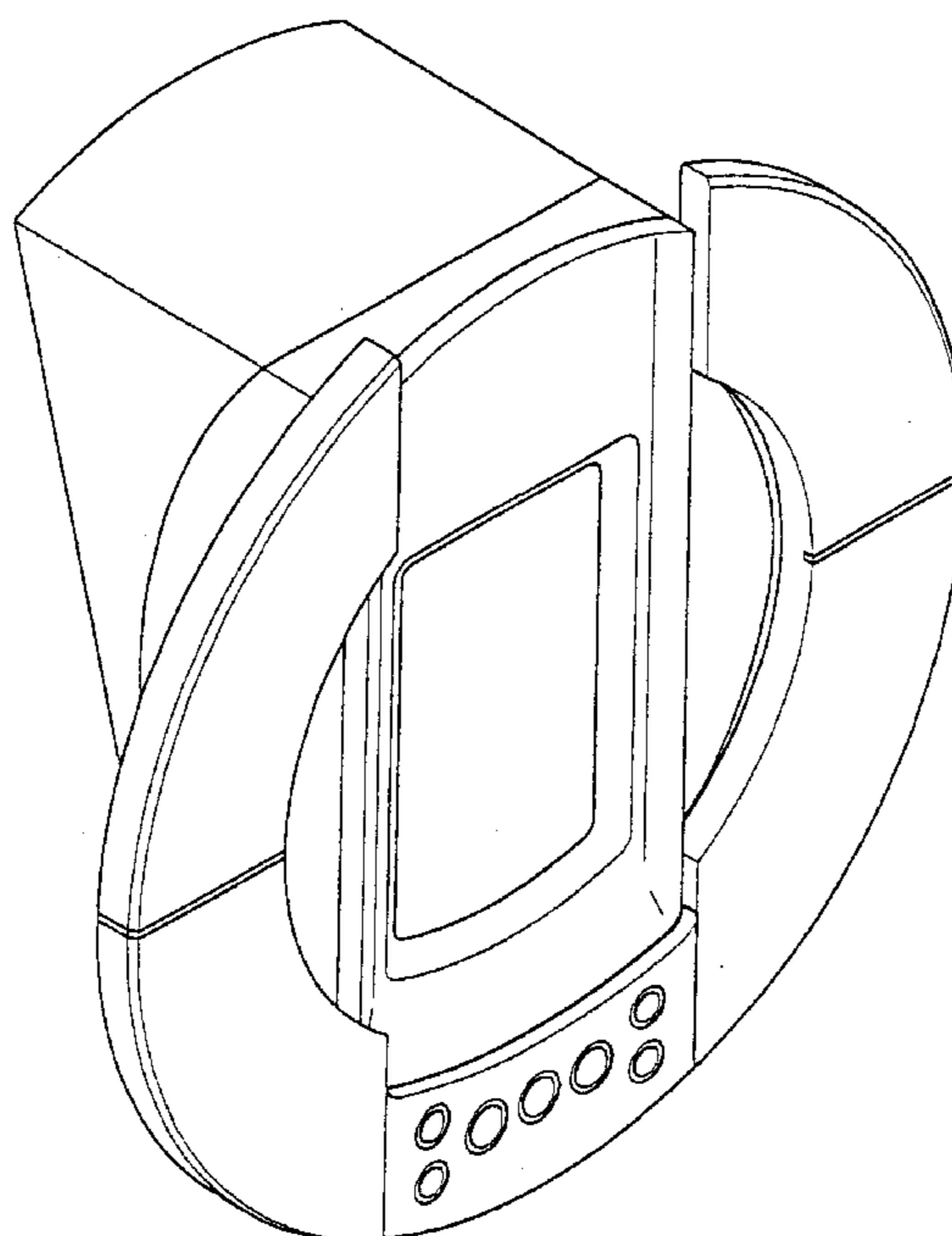


FIG. 1

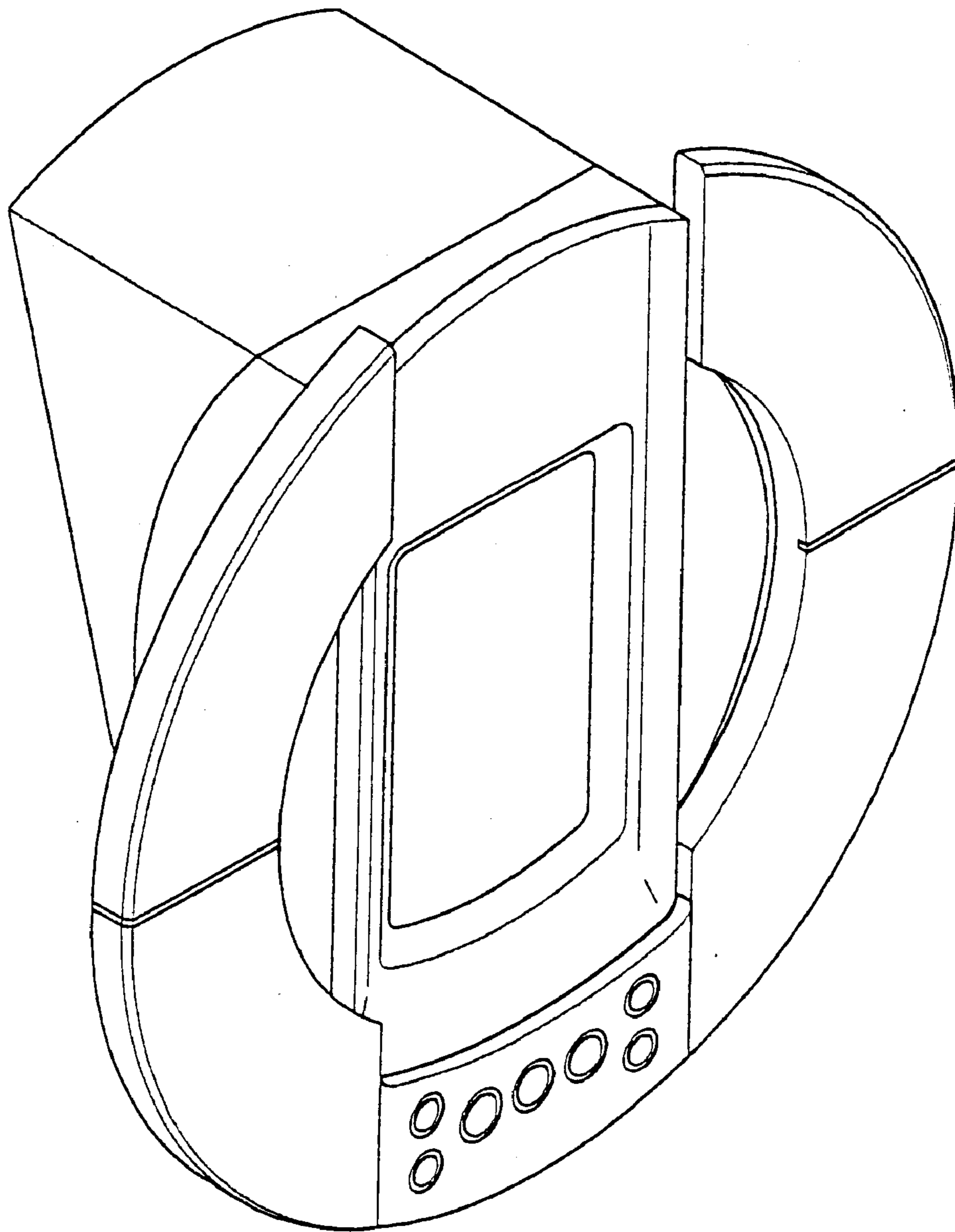


FIG. 2

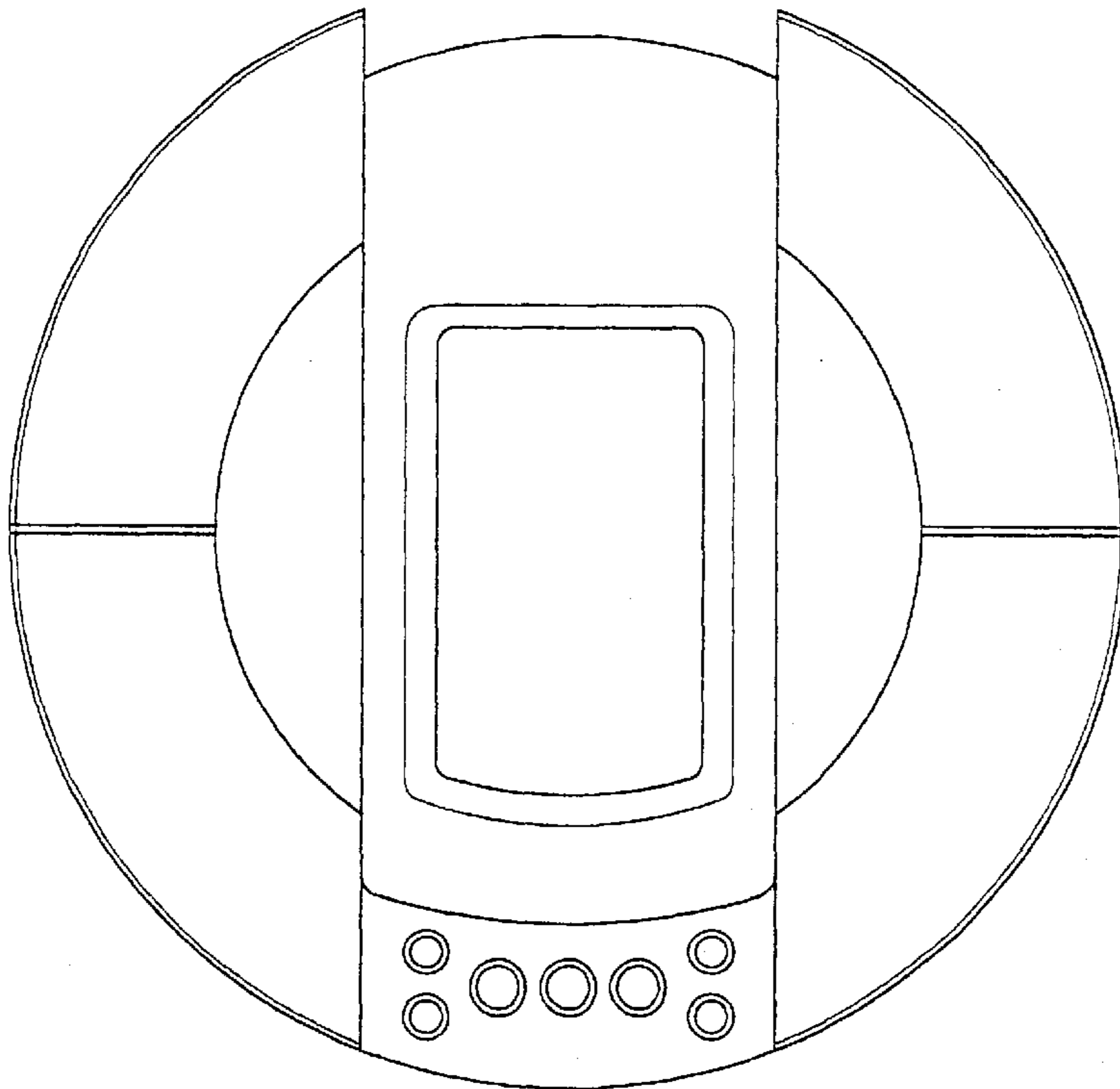


FIG. 3

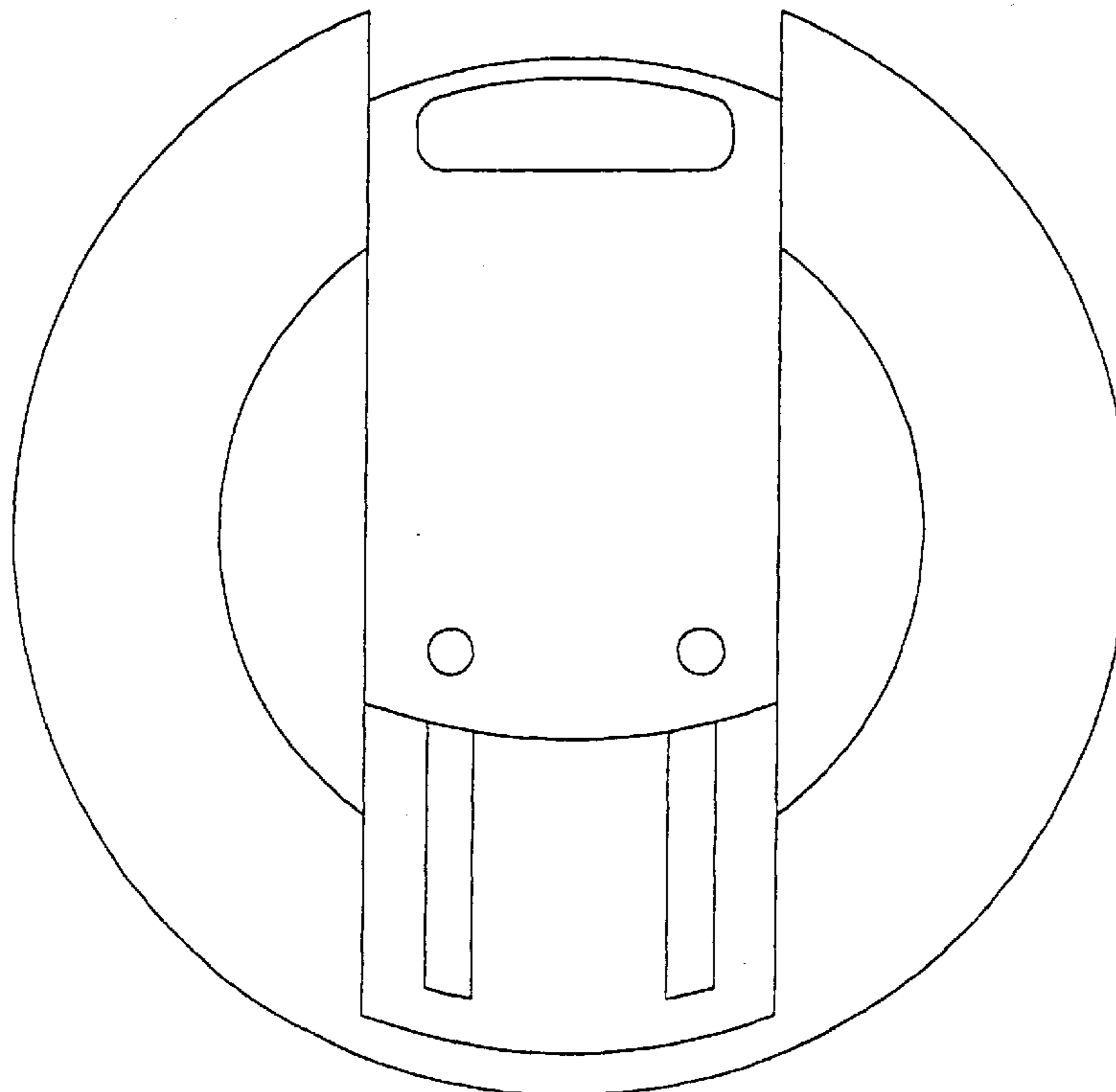


FIG. 4

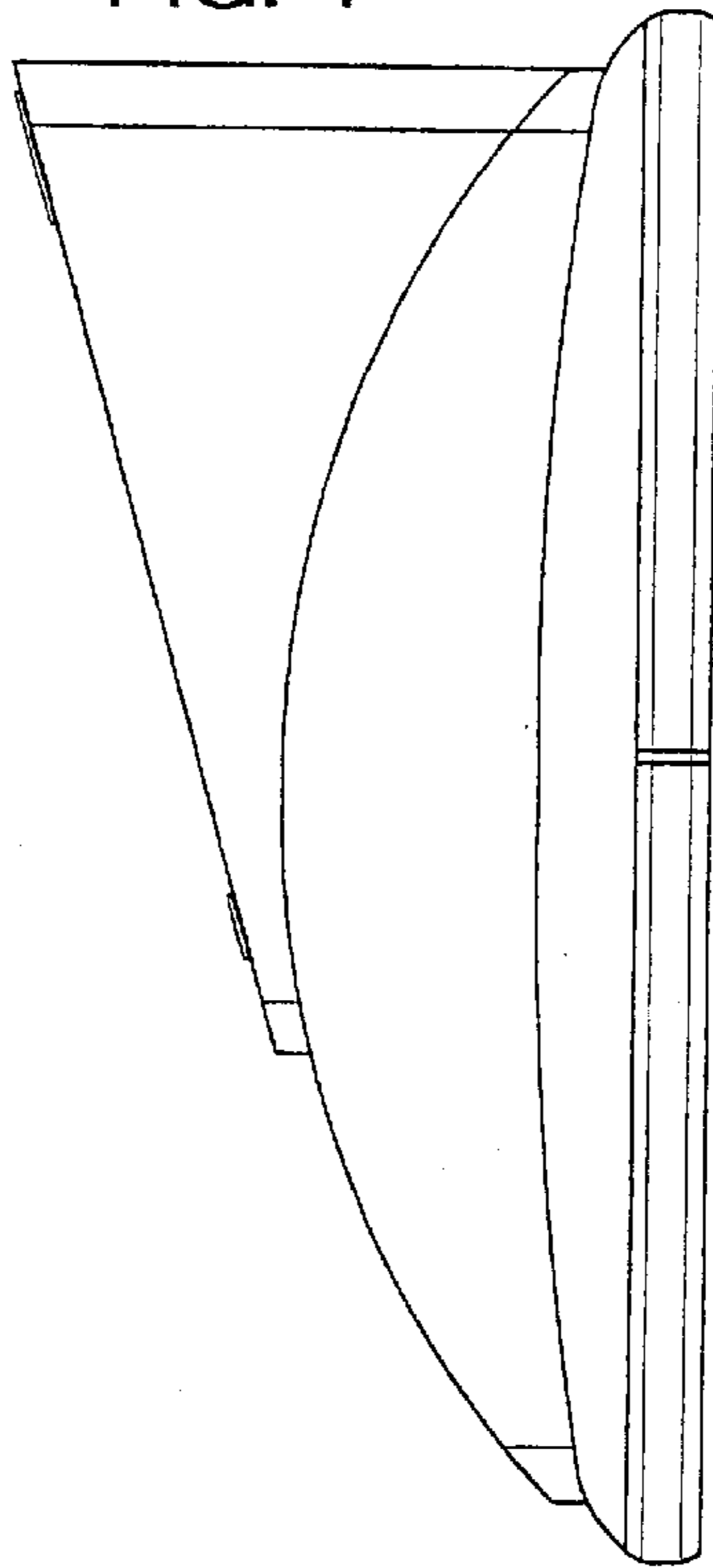


FIG. 5

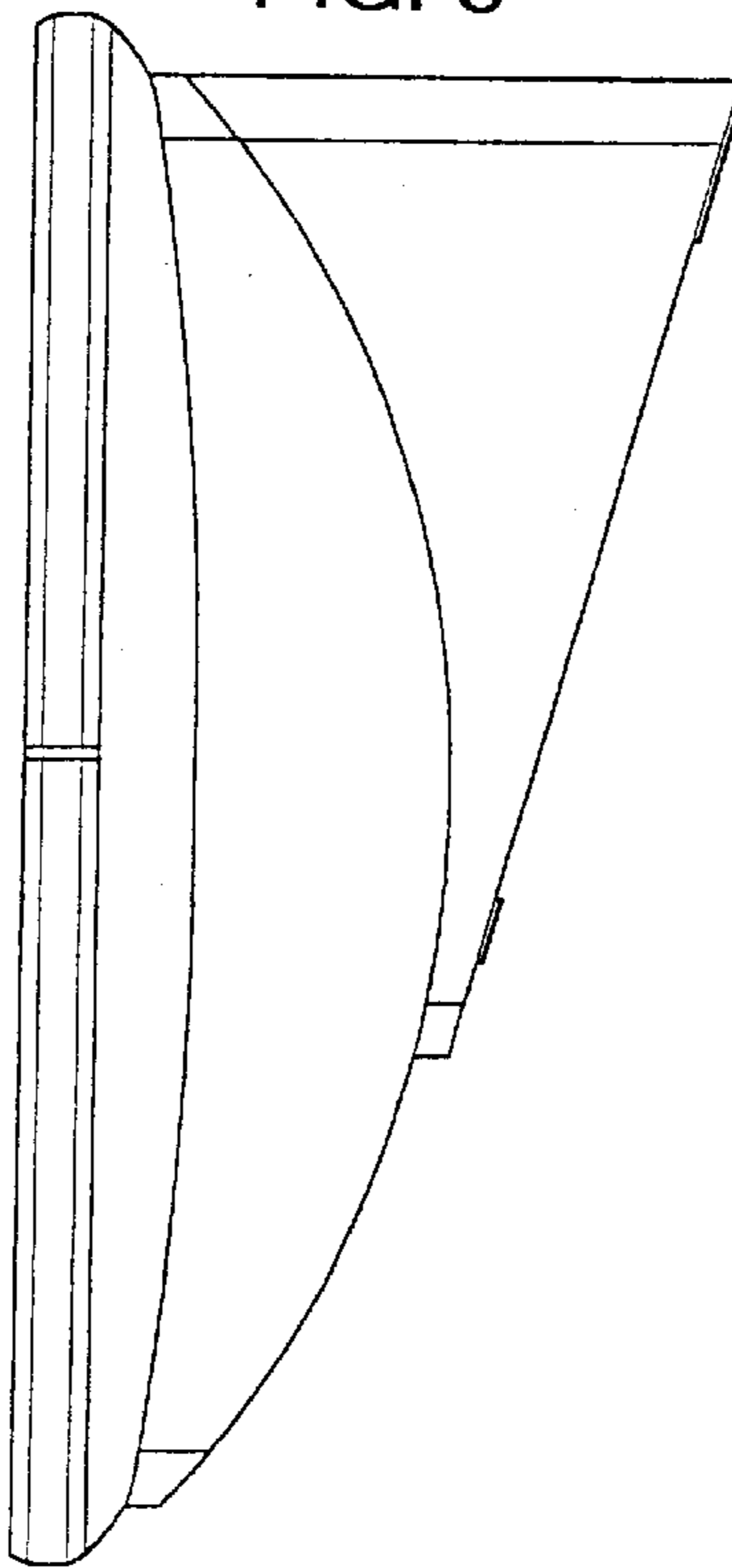


FIG. 6

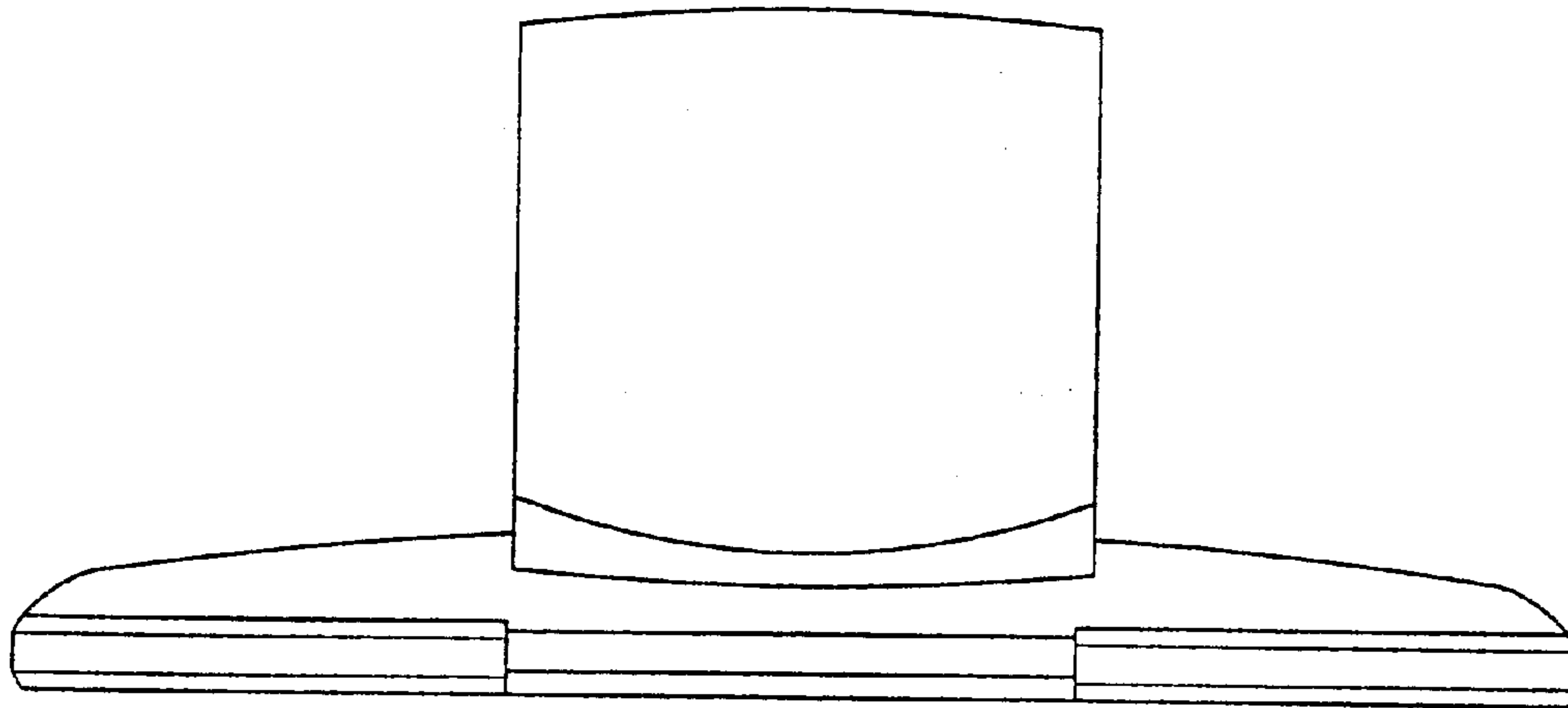


FIG. 7

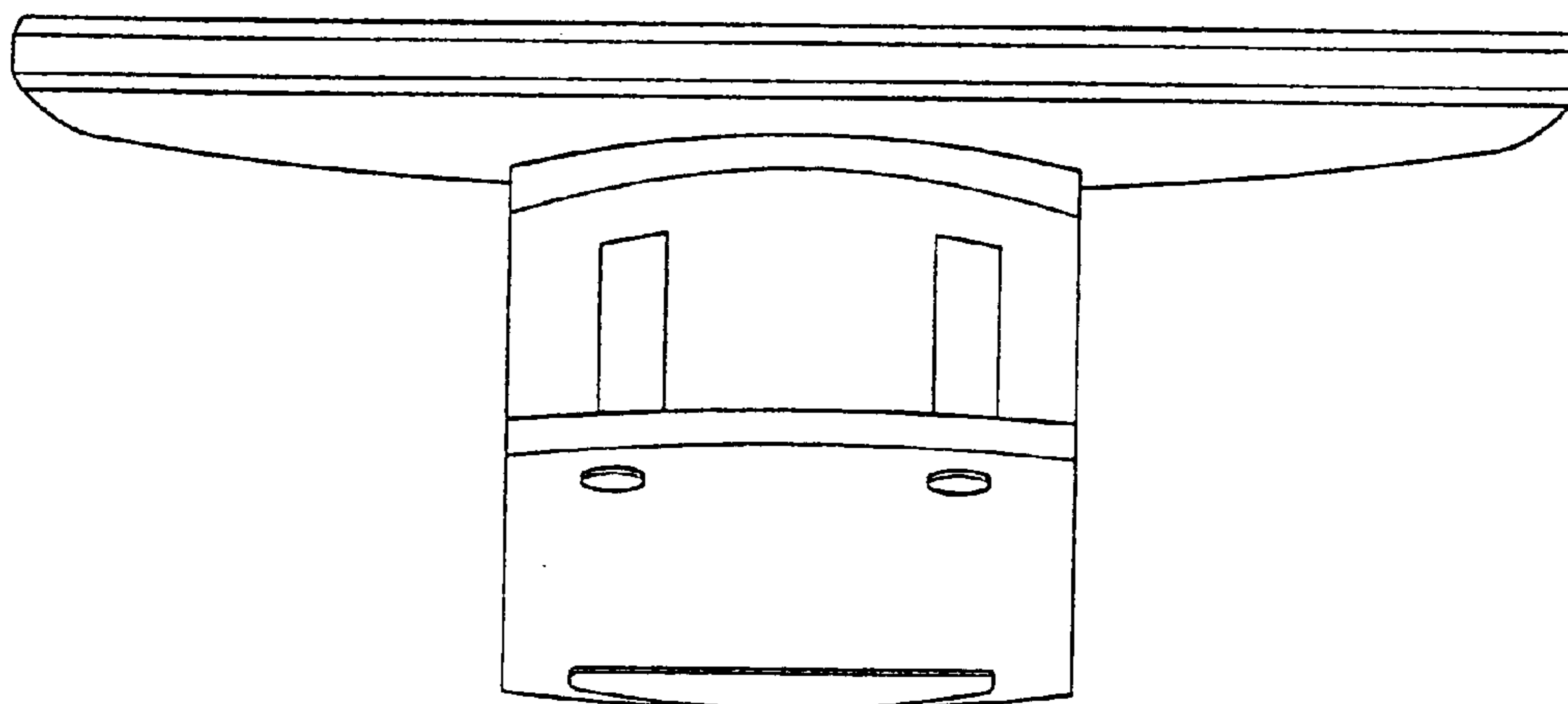
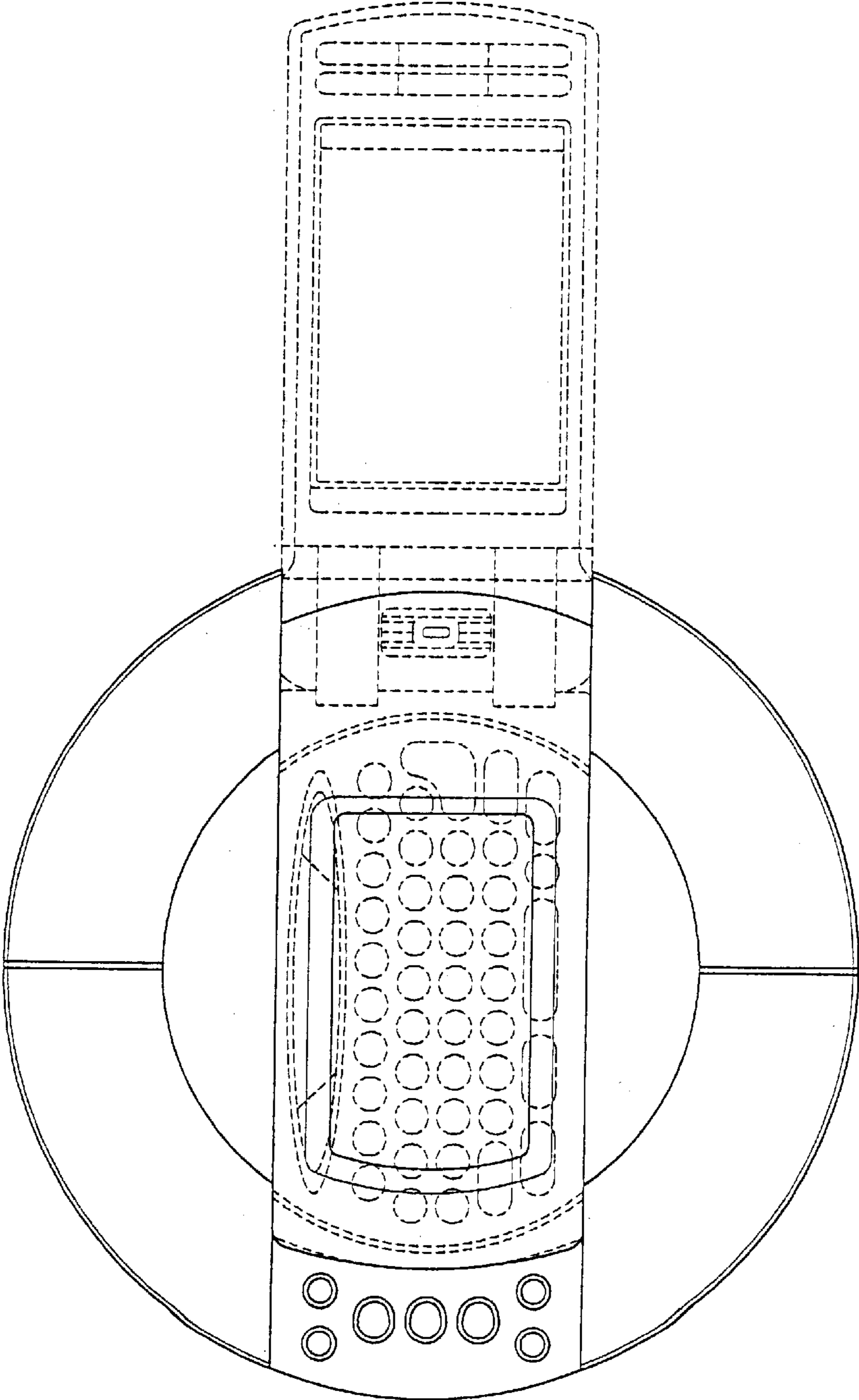


FIG. 8



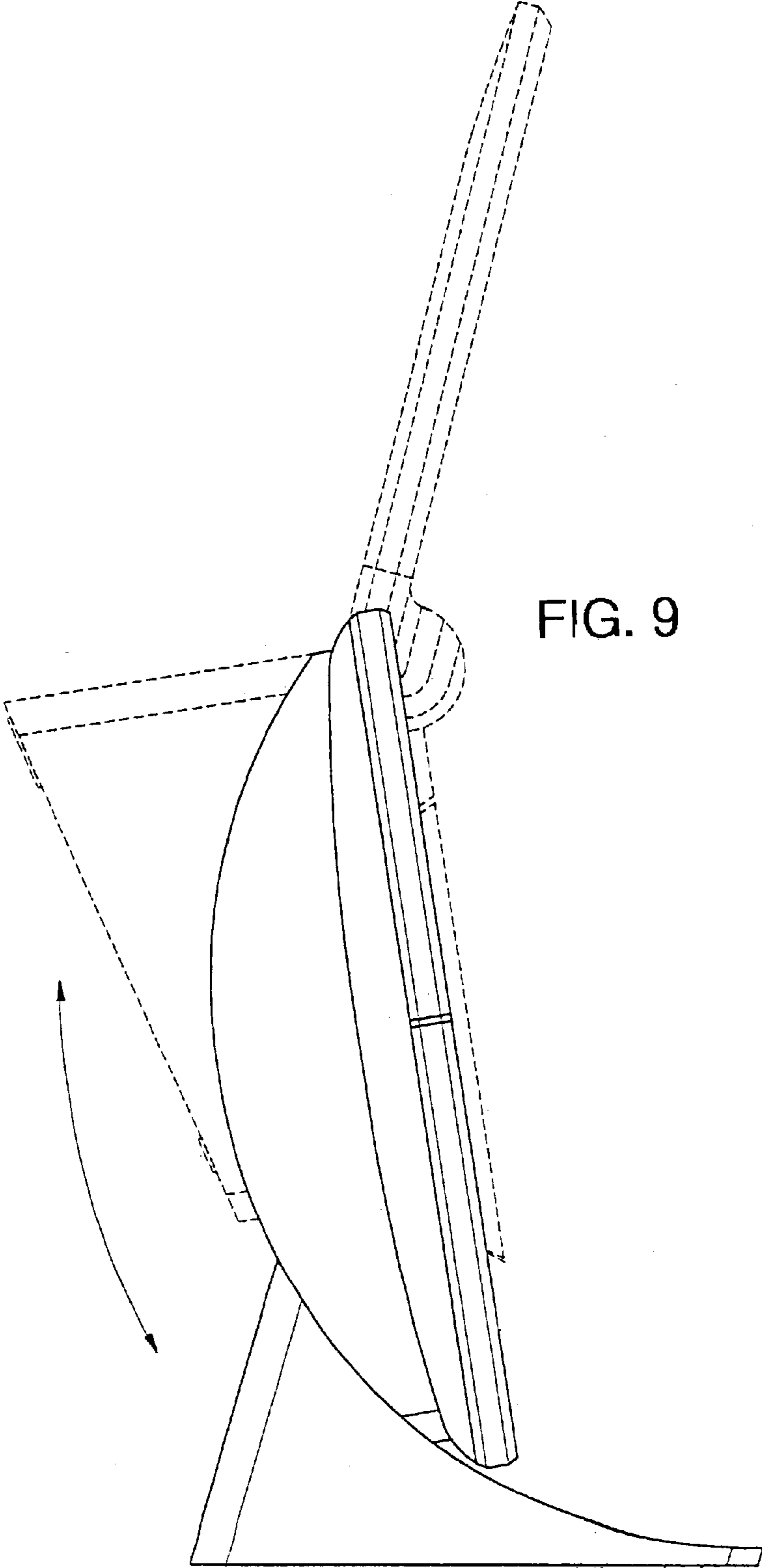


FIG. 9

FIG. 10

