



US00D524229S

(12) **United States Design Patent**
Stille et al.

(10) **Patent No.:** **US D524,229 S**
(45) **Date of Patent:** **** Jul. 4, 2006**

(54) **RIGID COAXIAL ROTOR HELICOPTER
WITH AUXILIARY PROPULSION (SMALL)**

(75) Inventors: **Brandon Stille**, Cheshire, CT (US);
Steven D. Weiner, Orange, CT (US);
Leslie Schweizer, Cayuta, NY (US);
Michael P. Strauss, New Haven, CT
(US); **Matthew J. Tarascio**, Milford,
CT (US); **Mark W. Scott**, Bethany, CT
(US)

(73) Assignee: **Sirorsky Aircraft Corporation**,
Stratford, CT (US)

(**) Term: **14 Years**

(21) Appl. No.: **29/231,088**

(22) Filed: **May 30, 2005**

(51) **LOC (8) Cl.** **12-07**

(52) **U.S. Cl.** **D12/327**

(58) **Field of Classification Search** D12/327-329;
244/17.11, 17.19, 17.21

See application file for complete search history.

(56) **References Cited**

U.S. PATENT DOCUMENTS

D357,894 S * 5/1995 Arnold et al. D12/327

D361,053 S * 8/1995 Whyte et al. D12/327
D363,054 S * 10/1995 Taylor et al. D12/327
D375,077 S * 10/1996 Taylor et al. D12/327
D388,048 S * 12/1997 Taylor et al. D12/328
D425,853 S * 5/2000 Caporaletti D12/327

* cited by examiner

Primary Examiner—Marcus A. Jackson

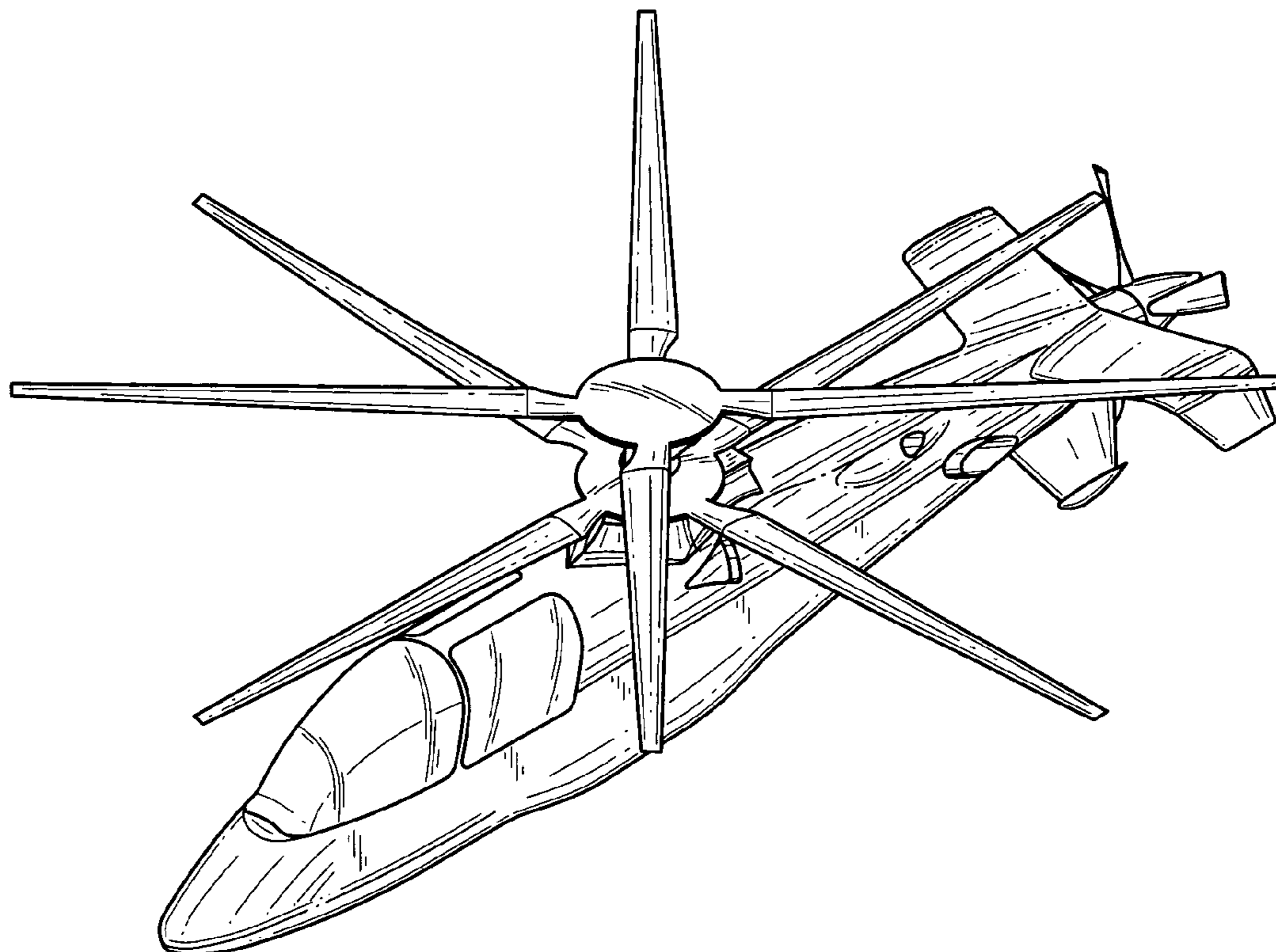
(57) **CLAIM**

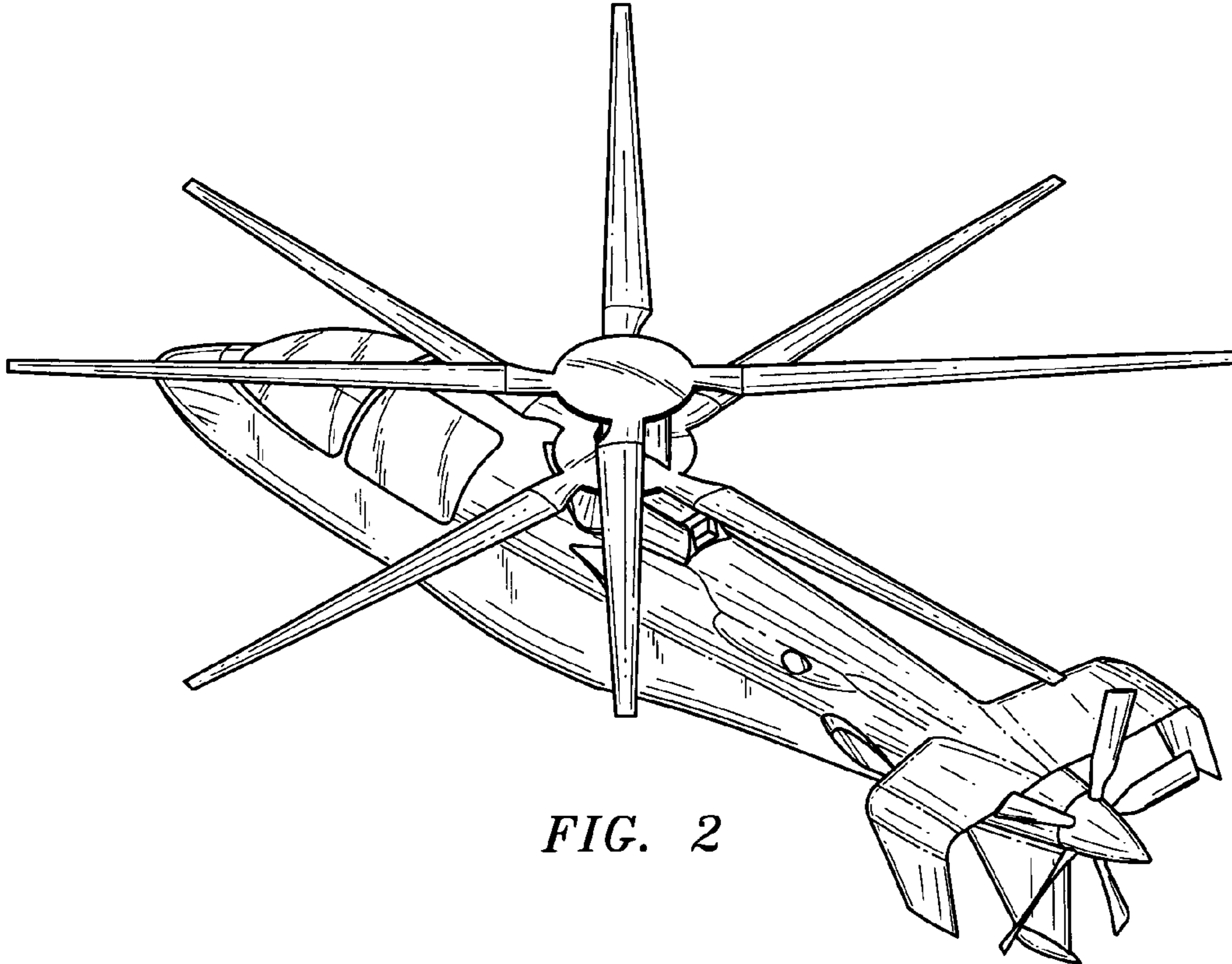
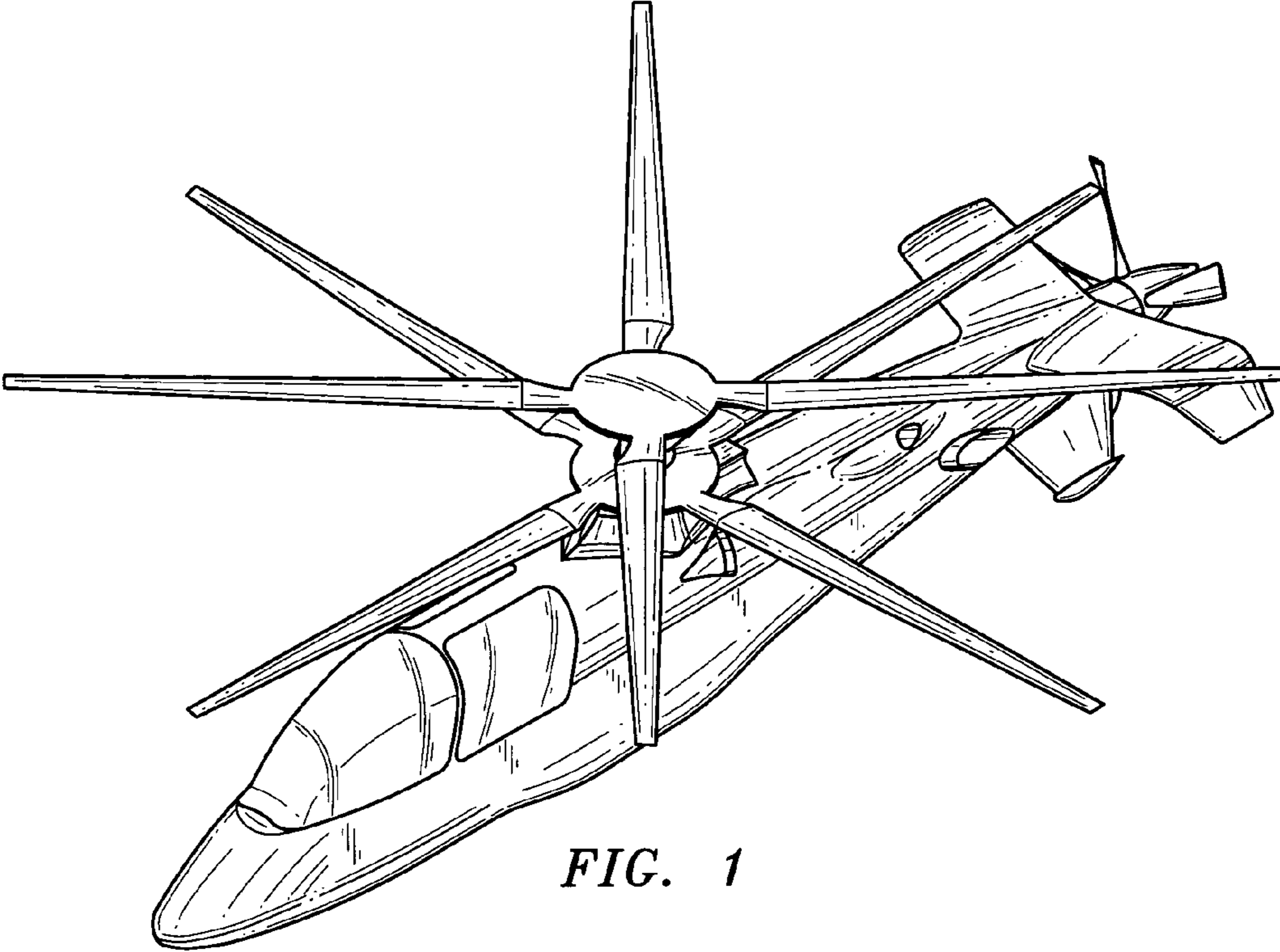
The ornamental design for a rigid coaxial rotor helicopter with auxiliary propulsion (small), as shown and described.

DESCRIPTION

FIG. 1 is a perspective view of the rigid coaxial rotor helicopter with auxiliary propulsion (small);
FIG. 2 is another perspective view thereof;
FIG. 3 is a left side elevational view thereof;
FIG. 4 is a right side elevational view thereof;
FIG. 5 is a top plan view thereof;
FIG. 6 is a bottom plan view thereof;
FIG. 7 is a front elevational view thereof; and,
FIG. 8 is a rear elevational view thereof.

1 Claim, 5 Drawing Sheets





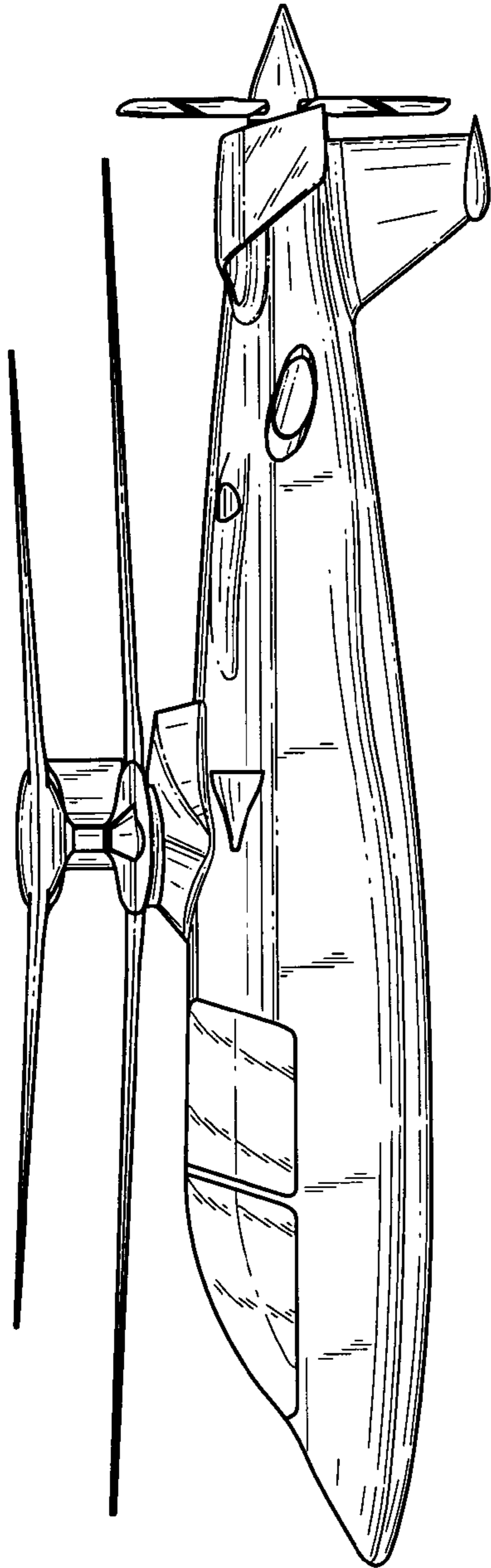


FIG. 3

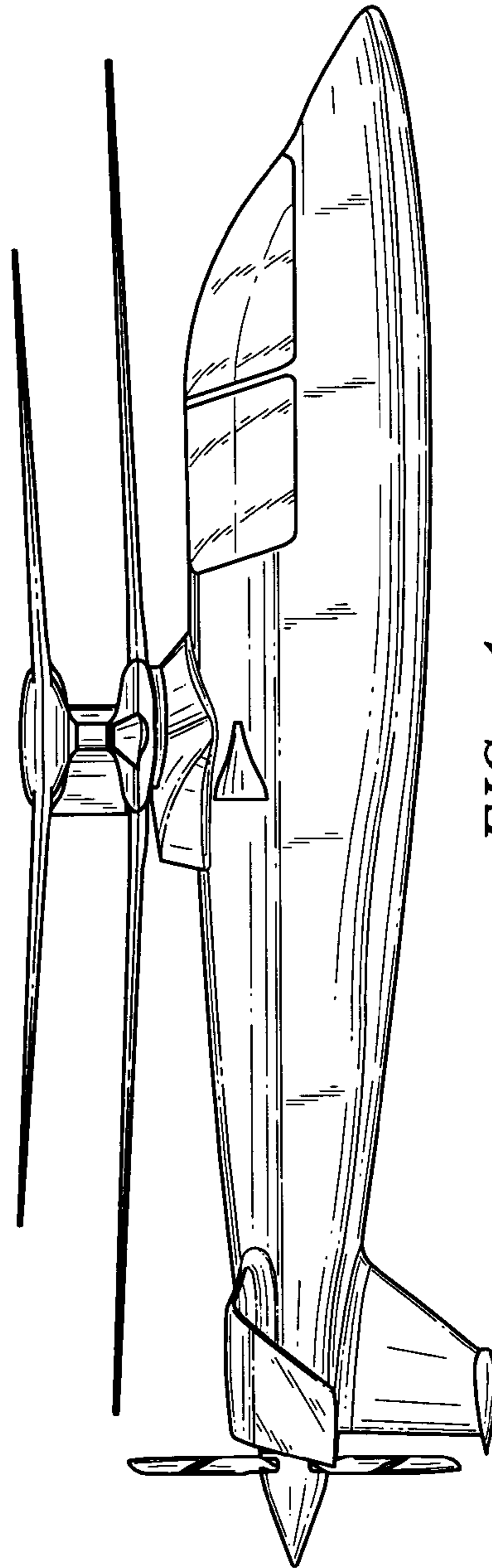


FIG. 4

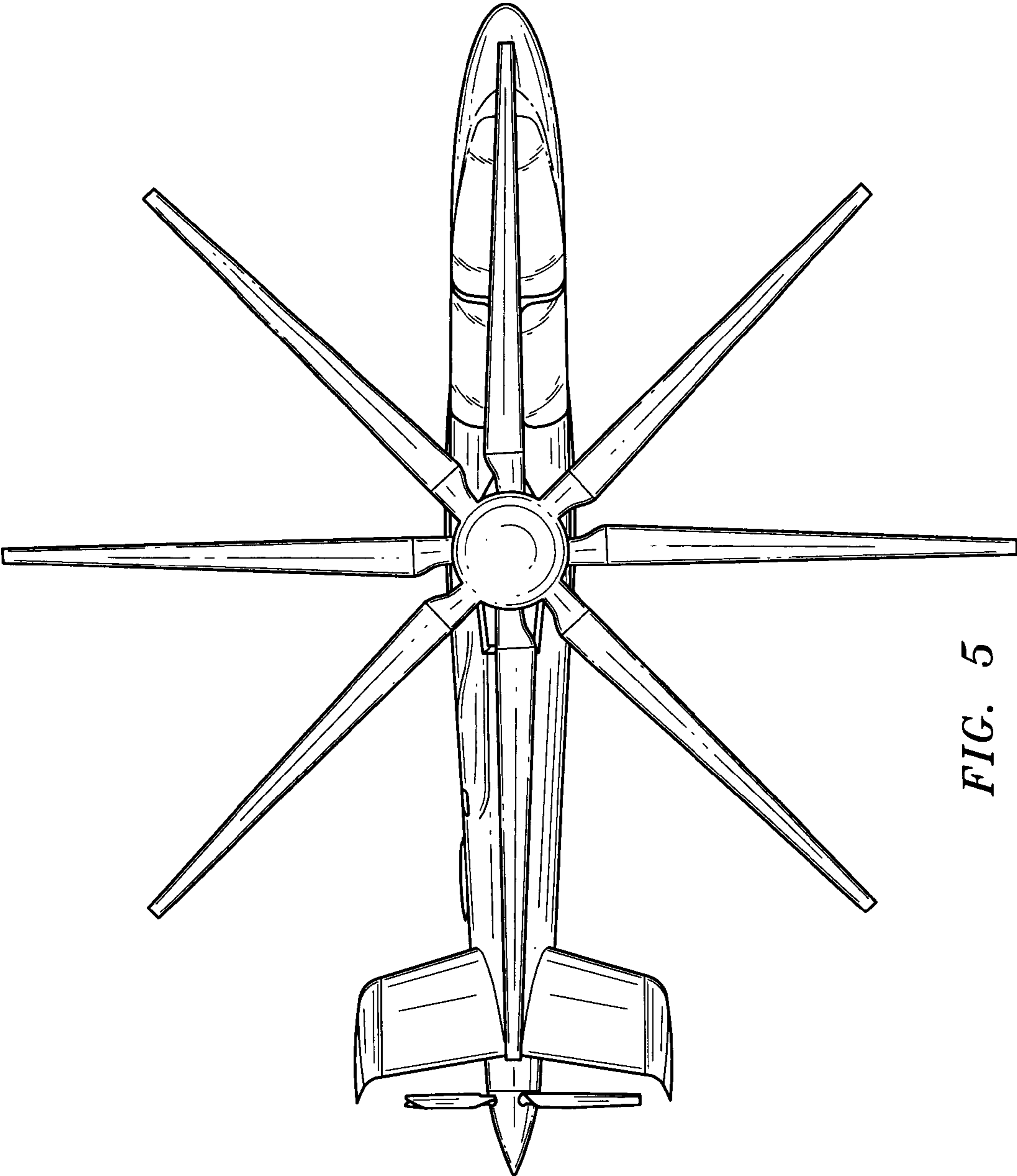


FIG. 5

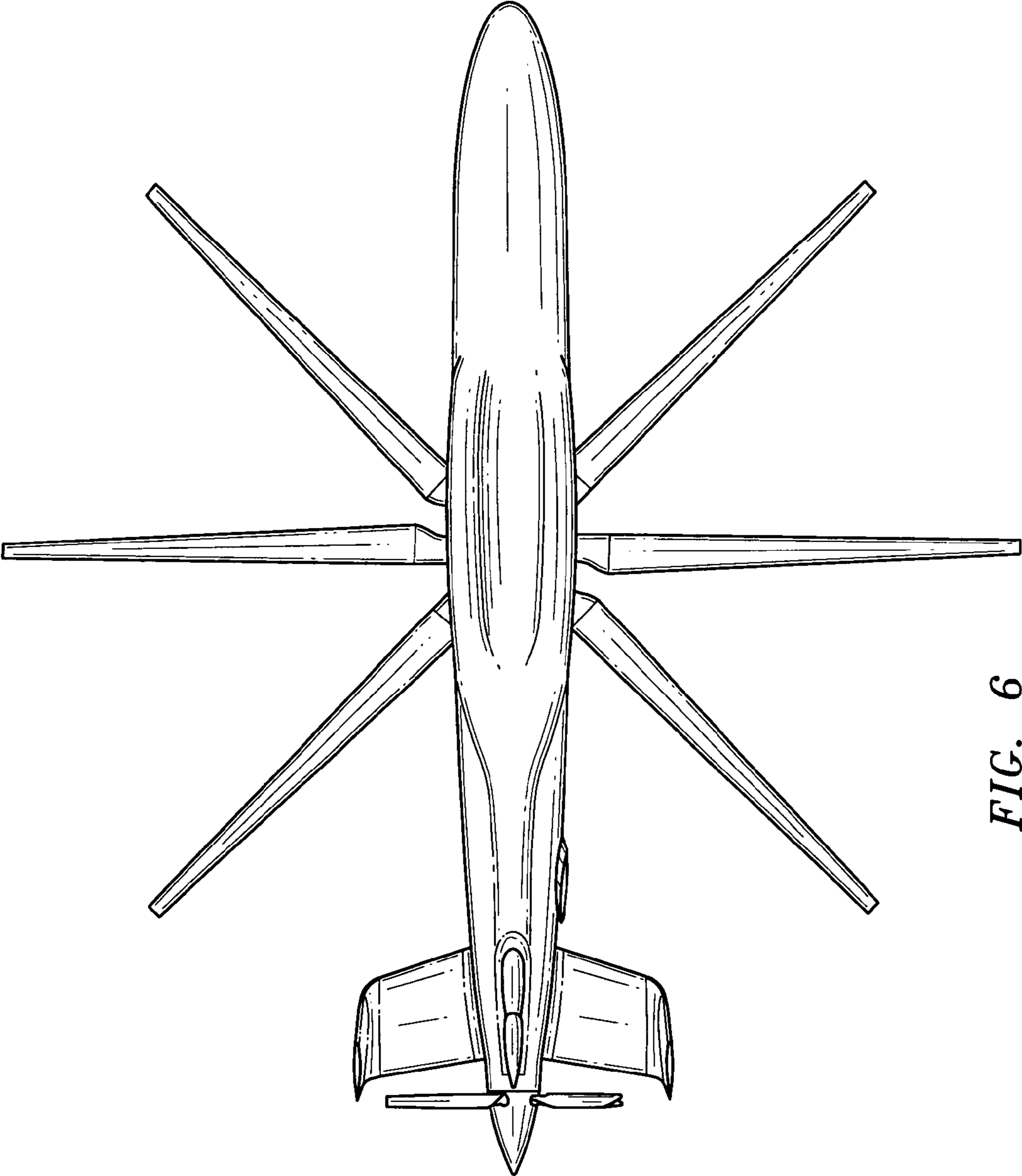


FIG. 6

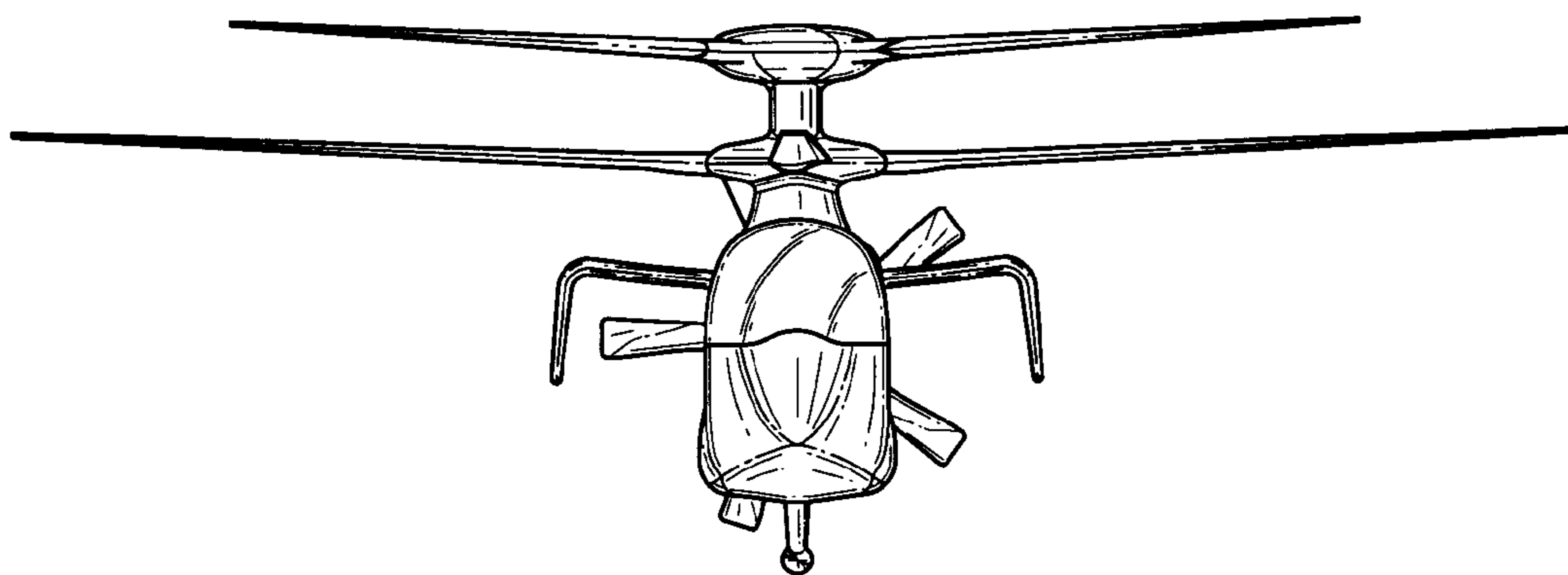


FIG. 7

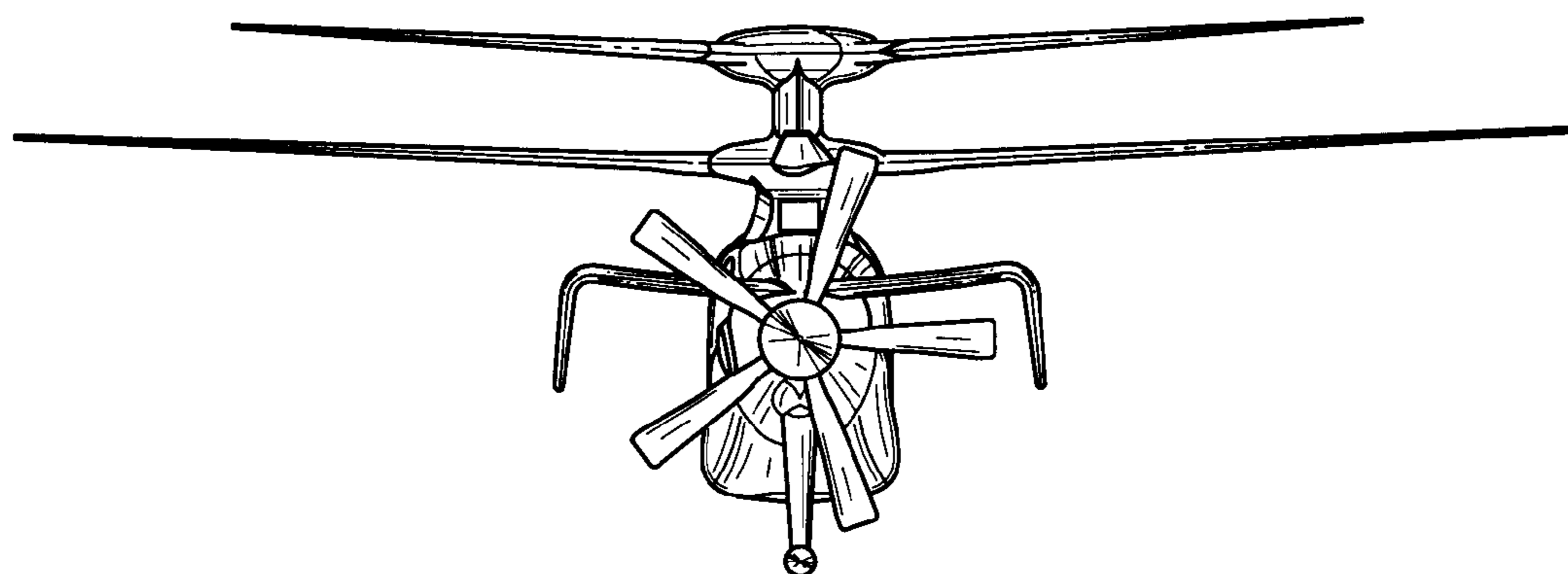


FIG. 8

UNITED STATES PATENT AND TRADEMARK OFFICE
CERTIFICATE OF CORRECTION

PATENT NO. : Des. 524,229 S
APPLICATION NO. : 29/231088
DATED : July 4, 2006
INVENTOR(S) : Stille et al.

Page 1 of 1

It is certified that error appears in the above-identified patent and that said Letters Patent is hereby corrected as shown below:

TITLE PAGE, ITEM (73)
Assignee: "Sirorsky" should be --Sikorsky--

Signed and Sealed this

Ninth Day of January, 2007

A handwritten signature in black ink on a light gray dotted background. The signature reads "Jon W. Dudas" in a cursive style.

JON W. DUDAS

Director of the United States Patent and Trademark Office