

US00D524228S

(12) **United States Design Patent**
Scott et al.

(10) **Patent No.:** **US D524,228 S**

(45) **Date of Patent:** **** Jul. 4, 2006**

(54) **RIGID COAXIAL ROTOR HEAVY LIFT HELICOPTER**

(75) Inventors: **Mark W. Scott**, Bethany, CT (US);
Michael P. Strauss, New Haven, CT (US)

(73) Assignee: **Sikorsky Aircraft Corporation**,
Stratford, CT (US)

(**) Term: **14 Years**

(21) Appl. No.: **29/231,087**

(22) Filed: **May 31, 2005**

(51) **LOC (8) Cl.** **12-07**

(52) **U.S. Cl.** **D12/327**

(58) **Field of Classification Search** D12/327-329;
244/17.11, 17.19, 17.21

See application file for complete search history.

(56) **References Cited**

U.S. PATENT DOCUMENTS

D357,894 S * 5/1995 Arnold et al. D12/327

D361,053 S * 8/1995 Whyte et al. D12/327

D363,054 S * 10/1995 Taylor et al. D12/327

D375,077 S * 10/1996 Taylor et al. D12/327

D388,048 S * 12/1997 Taylor et al. D12/328

D425,853 S * 5/2000 Caporaletti D12/327

* cited by examiner

Primary Examiner—Marcus A. Jackson

(57) **CLAIM**

The ornamental design for a rigid coaxial rotor heavy lift helicopter, as shown and described.

DESCRIPTION

FIG. 1 is a perspective view of the rigid coaxial rotor heavy lift helicopter;

FIG. 2 is another perspective view thereof;

FIG. 3 is a left side elevational view thereof;

FIG. 4 is a right side elevational view thereof;

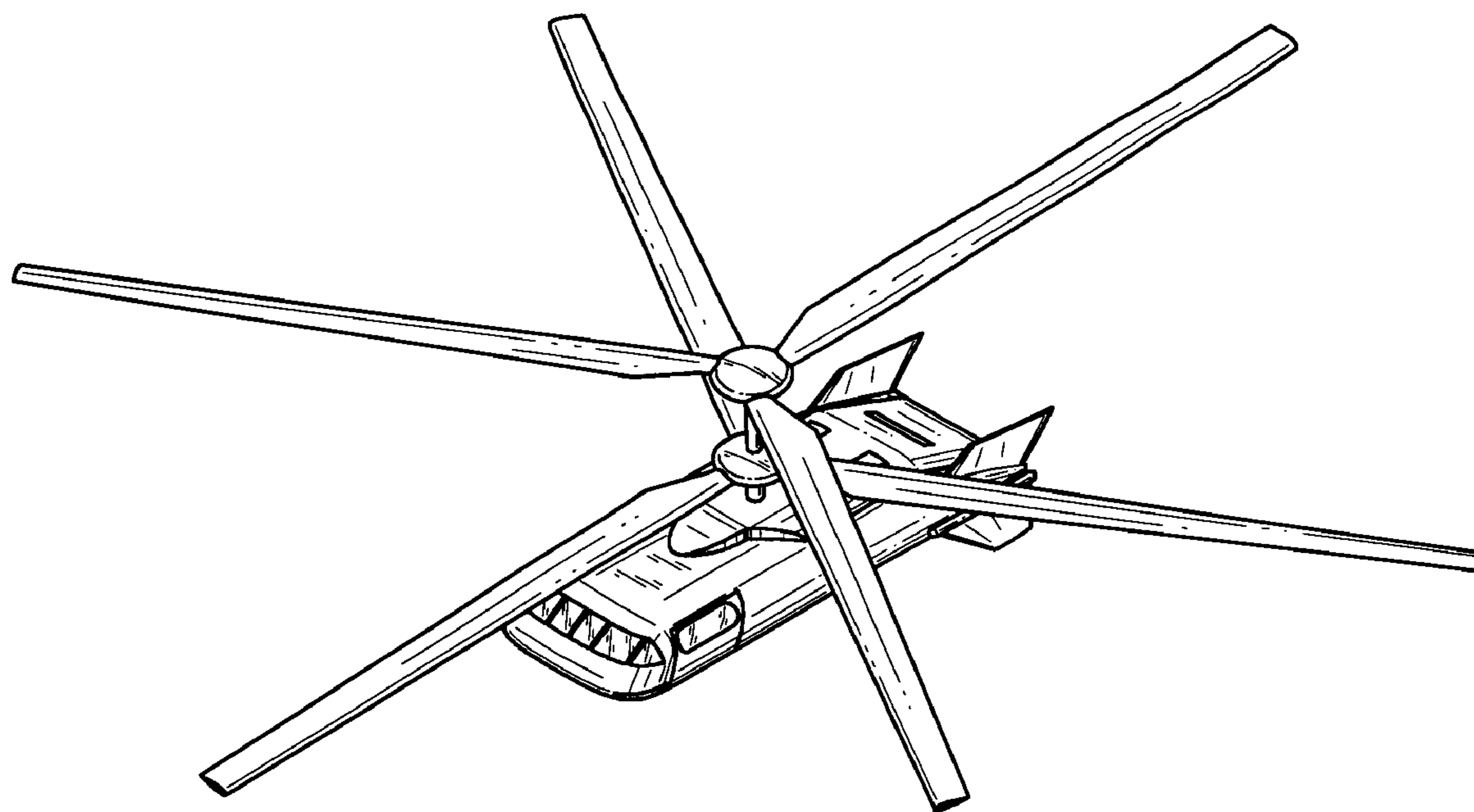
FIG. 5 is a top plan view thereof;

FIG. 6 is a bottom plan view thereof;

FIG. 7 is a front elevational view thereof; and,

FIG. 8 is a rear elevational view thereof.

1 Claim, 5 Drawing Sheets



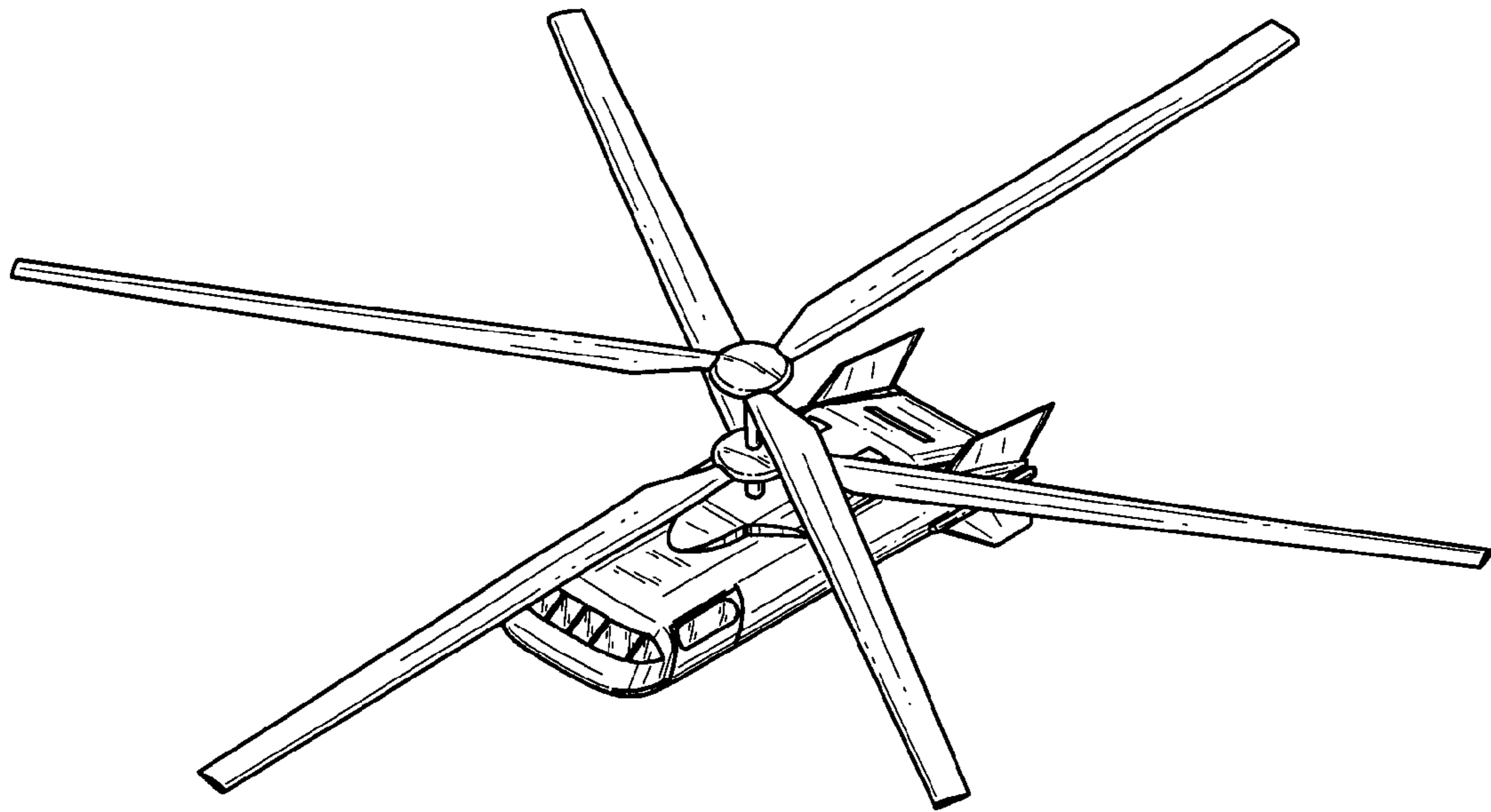


FIG. 1

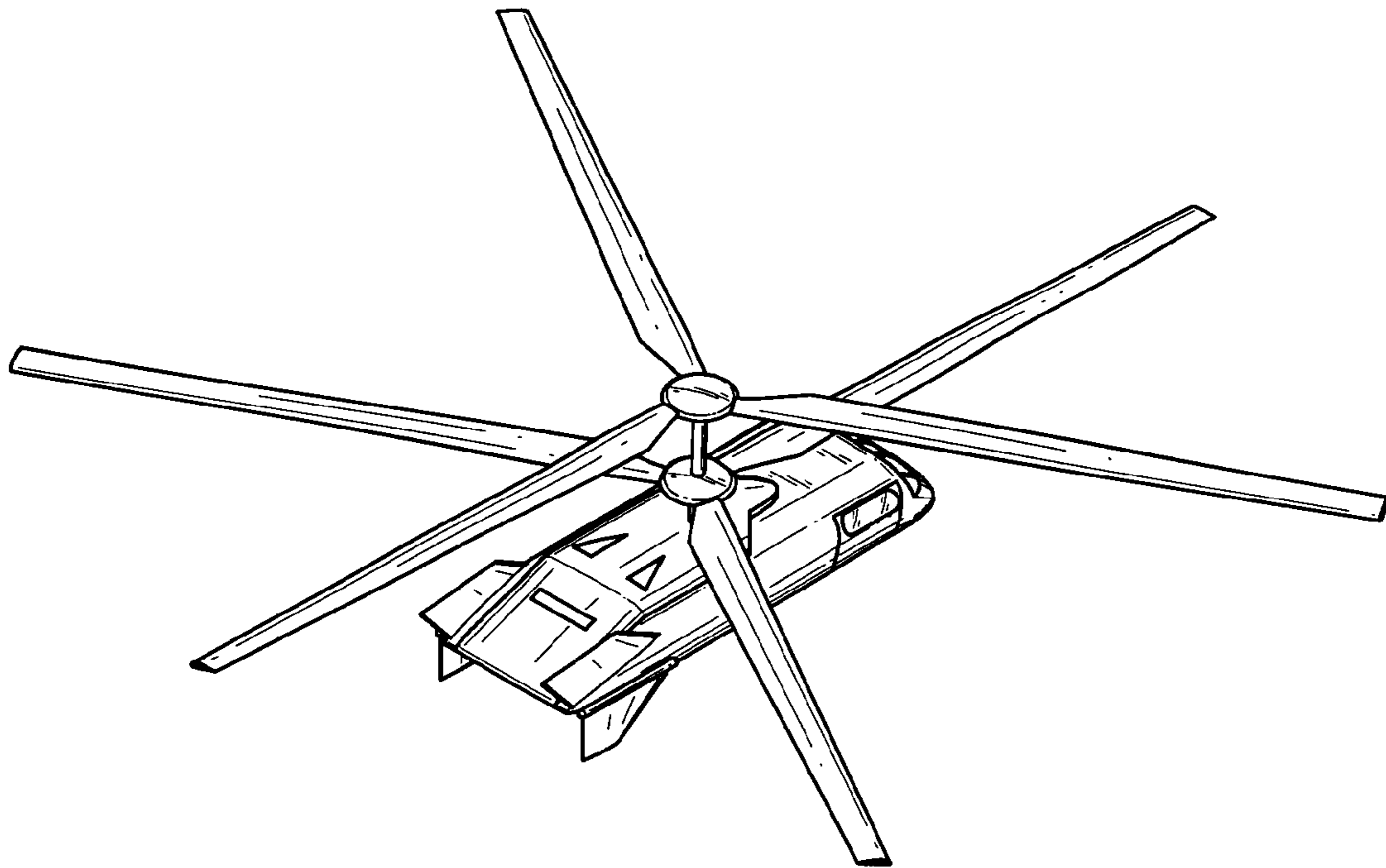


FIG. 2

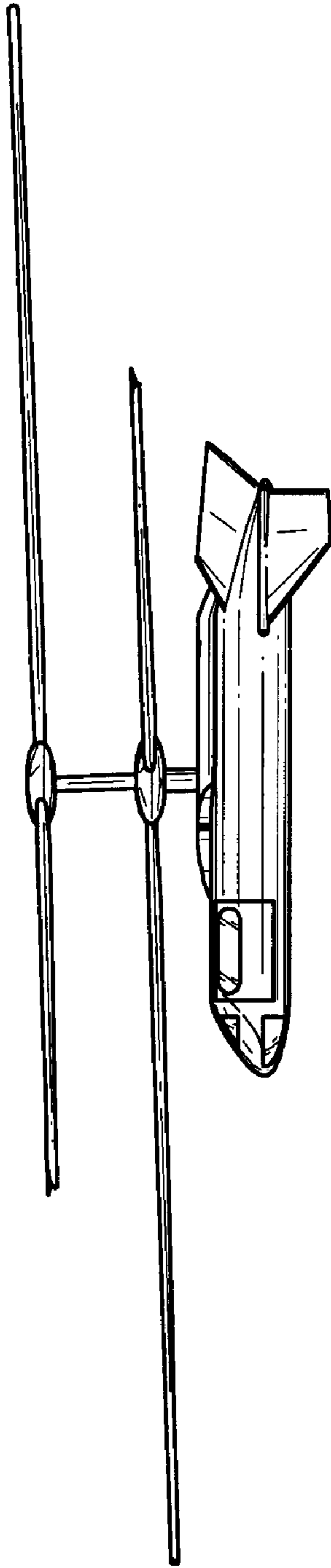


FIG. 3

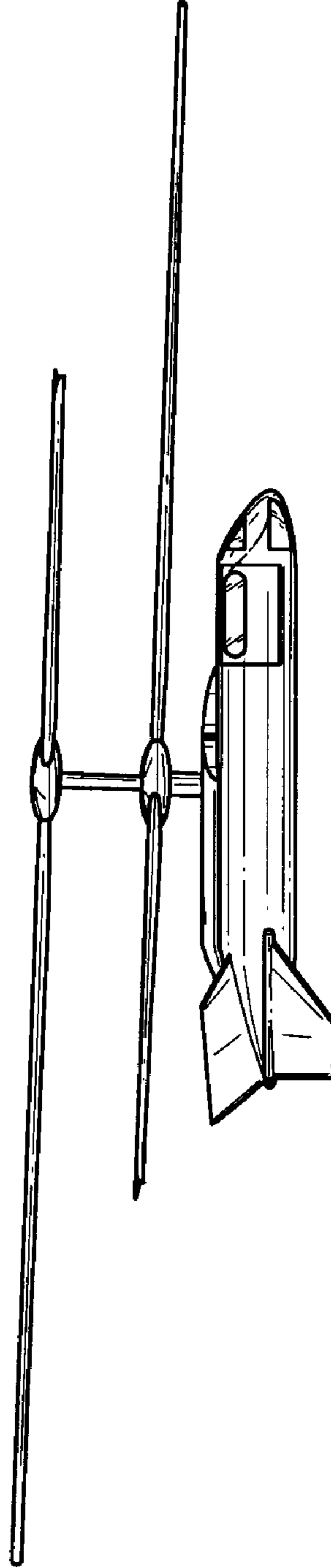


FIG. 4

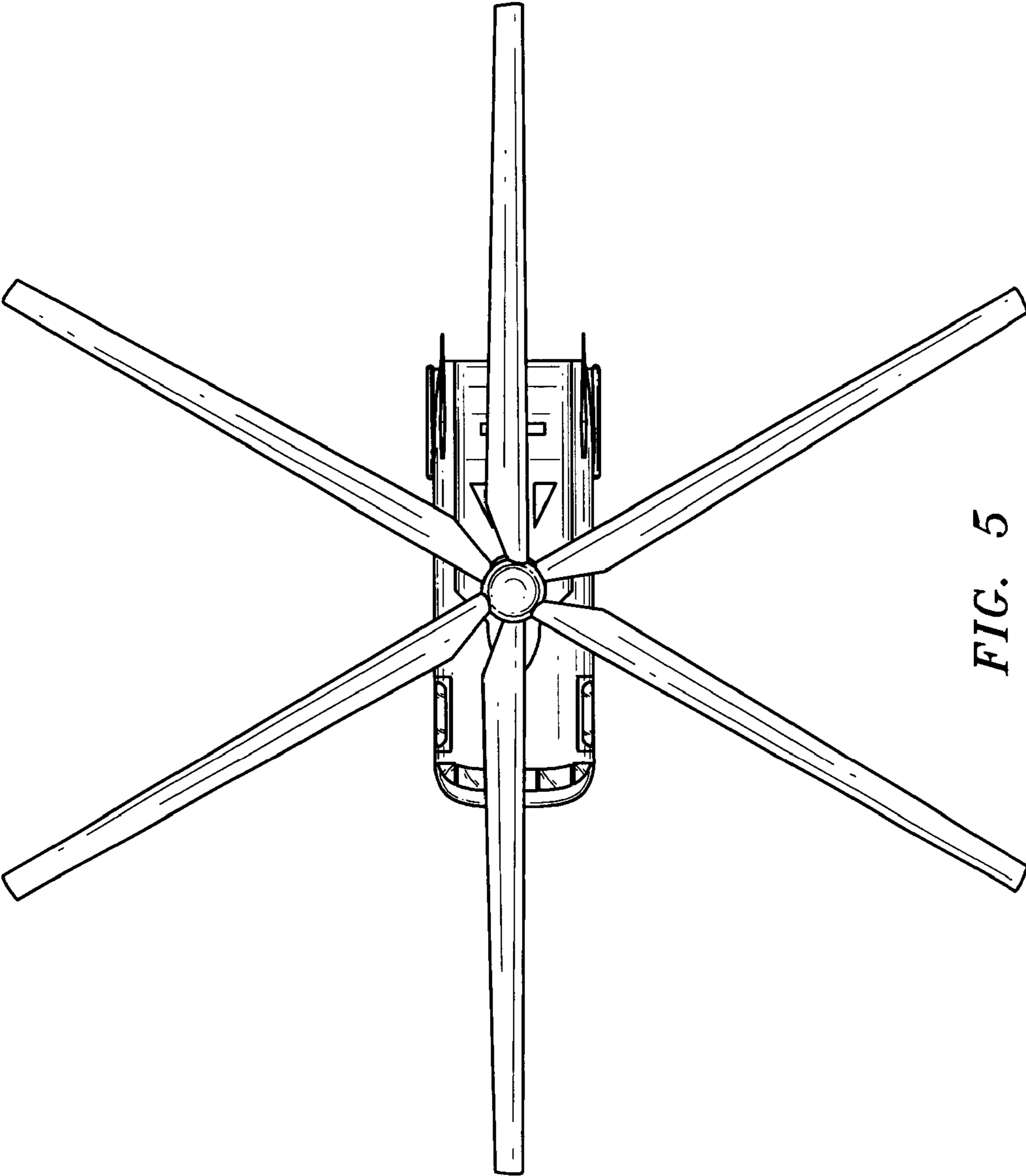


FIG. 5

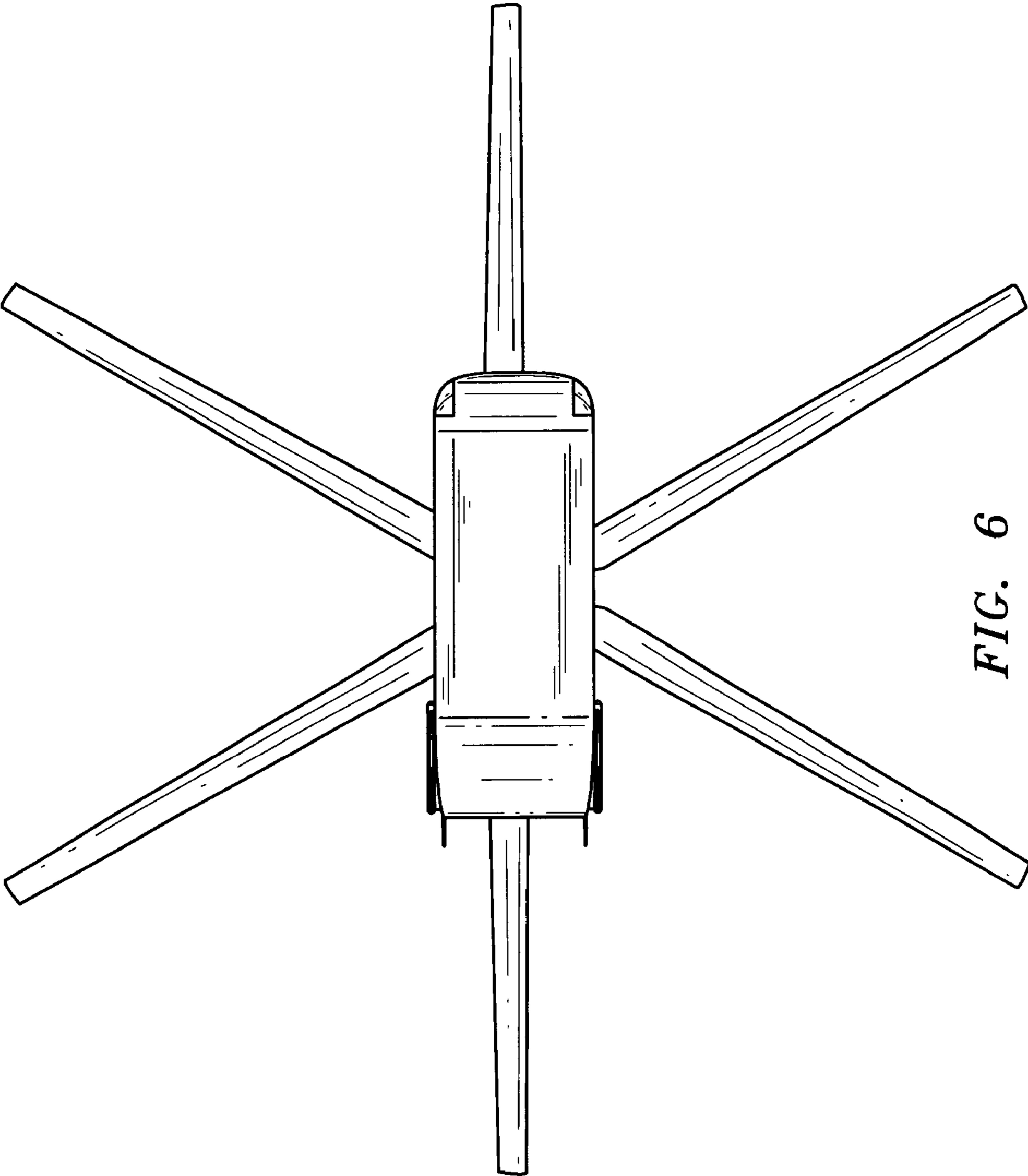


FIG. 6

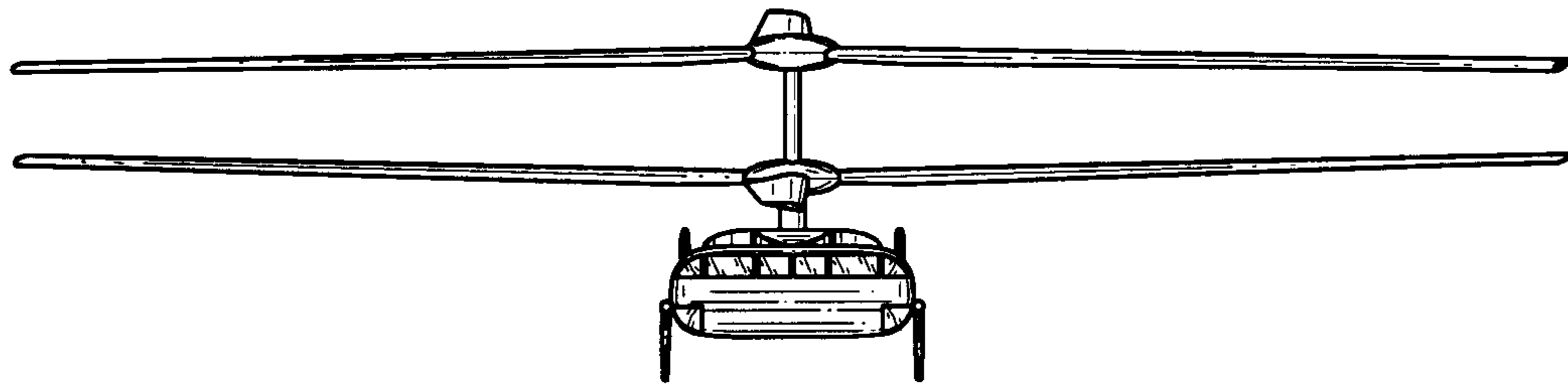


FIG. 7

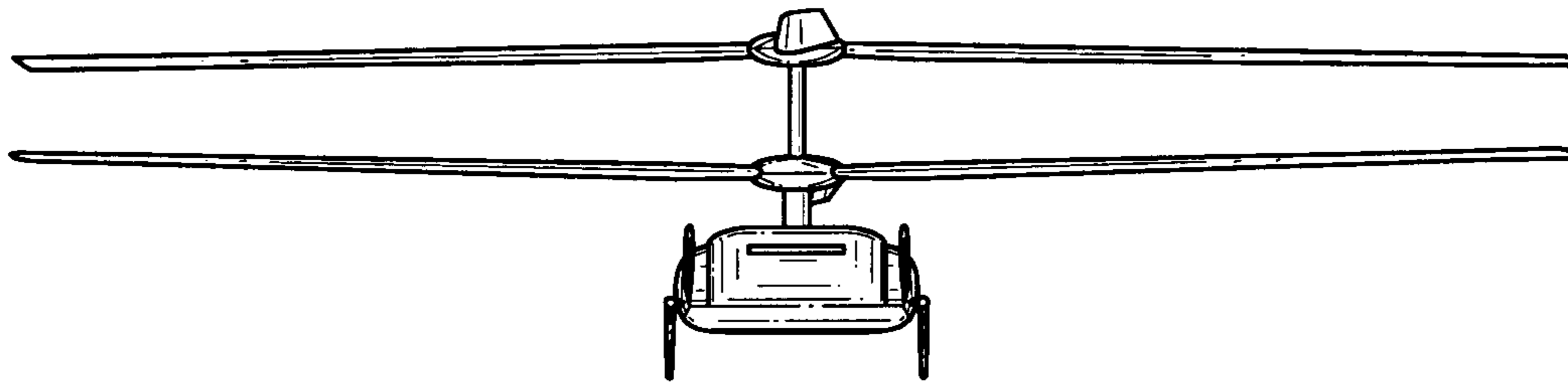


FIG. 8