

US00D524225S

(12) **United States Design Patent**
Tsutsumi

(10) **Patent No.:** **US D524,225 S**
(45) **Date of Patent:** **** Jul. 4, 2006**

(54) **UNDERWATER PROPULSION UNIT**

(76) Inventor: **Toshikatsu Tsutsumi**, 1-20, Kurashiki Heights, Kurashiki, Okayama 710-0025 (JP)

(**) Term: **14 Years**

(21) Appl. No.: **29/211,285**

(22) Filed: **Aug. 13, 2004**

(30) **Foreign Application Priority Data**

Feb. 13, 2004 (JP) 2004-003808

(51) **LOC (8) Cl.** **12-06**

(52) **U.S. Cl.** **D12/308**

(58) **Field of Classification Search** D12/300, D12/308, 317; 114/312, 314, 315, 330, 331; D21/545; 440/6

See application file for complete search history.

(56) **References Cited**

U.S. PATENT DOCUMENTS

- D304,923 S * 12/1989 Pado D12/308
- D323,808 S * 2/1992 DeSantis D12/308
- 5,303,666 A * 4/1994 DeSantis et al. 114/315
- D359,022 S * 6/1995 Lashman D12/308

- 5,423,278 A * 6/1995 Lashman 114/315
- D447,109 S * 8/2001 Paoli et al. D12/308
- D471,506 S * 3/2003 Mah D12/308

OTHER PUBLICATIONS

Diver's Supply, Spring Summer 2003, p. 76 (1 page).*

* cited by examiner

Primary Examiner—Holly Baynham

Assistant Examiner—Cynthia M. Chin

(74) *Attorney, Agent, or Firm*—Koda & Androlia

(57) **CLAIM**

The ornamental design for an underwater propulsion unit, as shown and described.

DESCRIPTION

FIG. 1 is a perspective view of the underwater propulsion unit taken from the front, top and left side, showing my new design;

FIG. 2 is a front elevation view thereof;

FIG. 3 is a rear elevation view thereof;

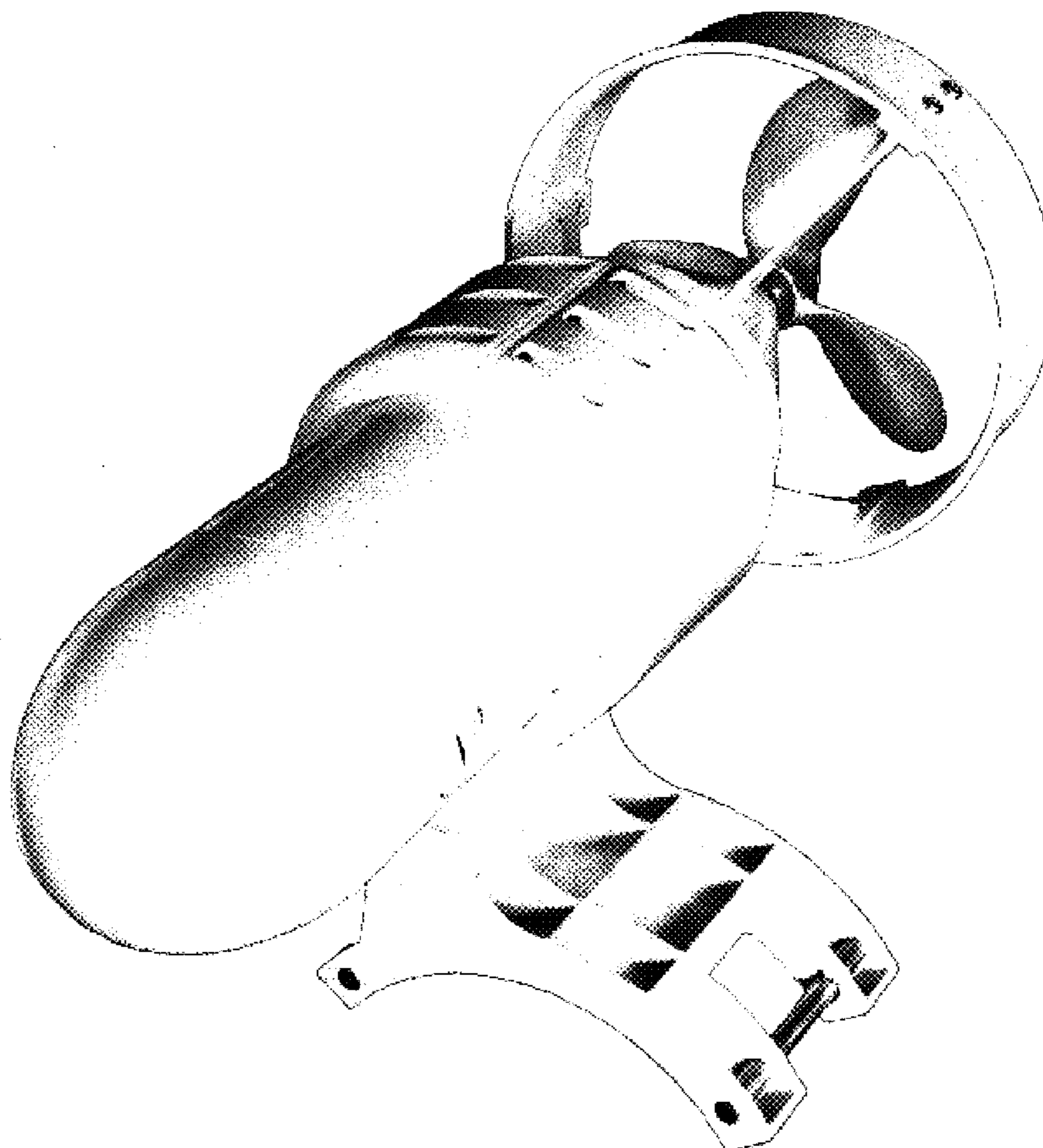
FIG. 4 is a right side elevation view thereof;

FIG. 5 is a left side elevation view thereof;

FIG. 6 is a top plan view thereof; and,

FIG. 7 is a bottom plan view thereof.

1 Claim, 4 Drawing Sheets



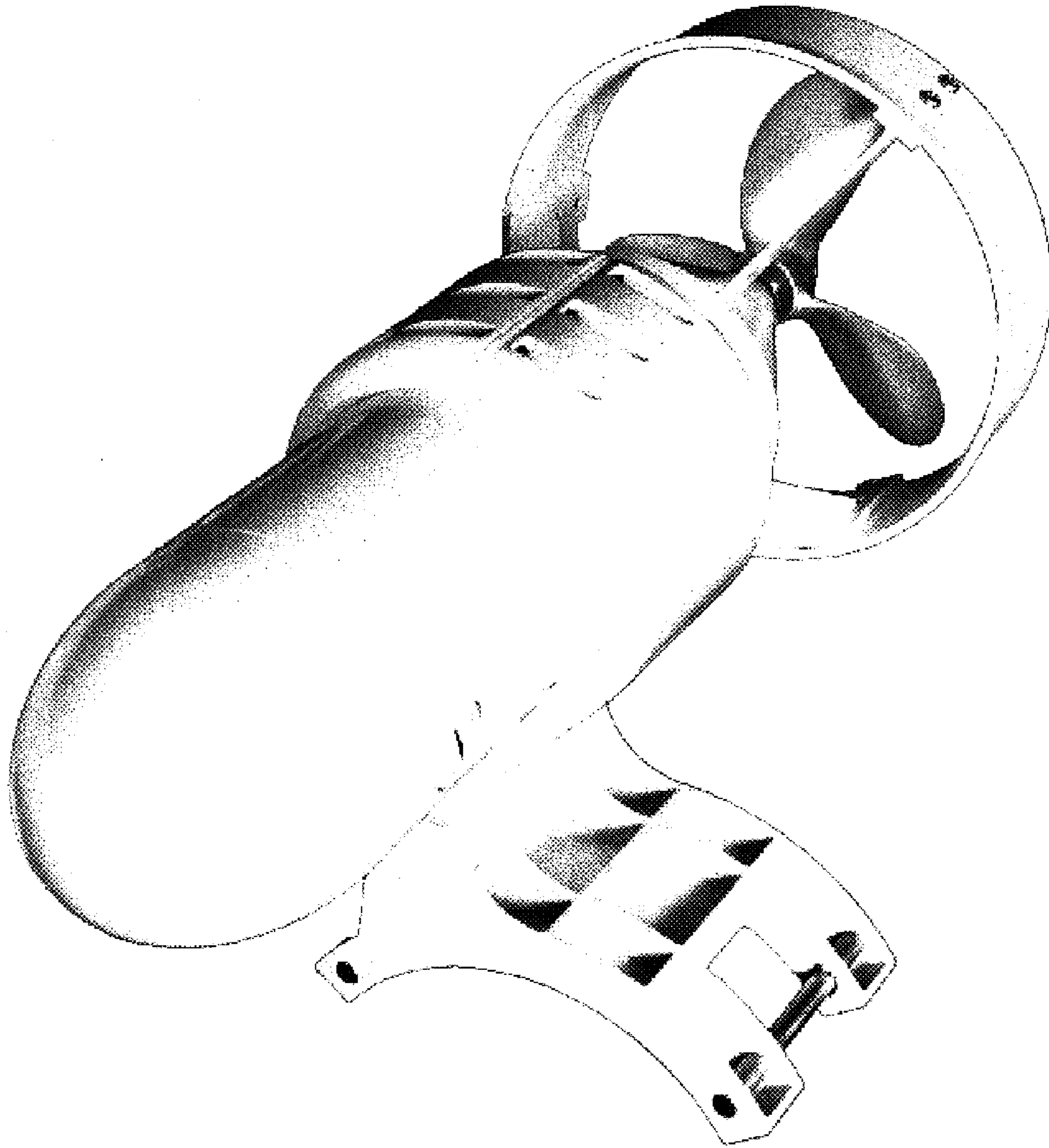


FIG. 1

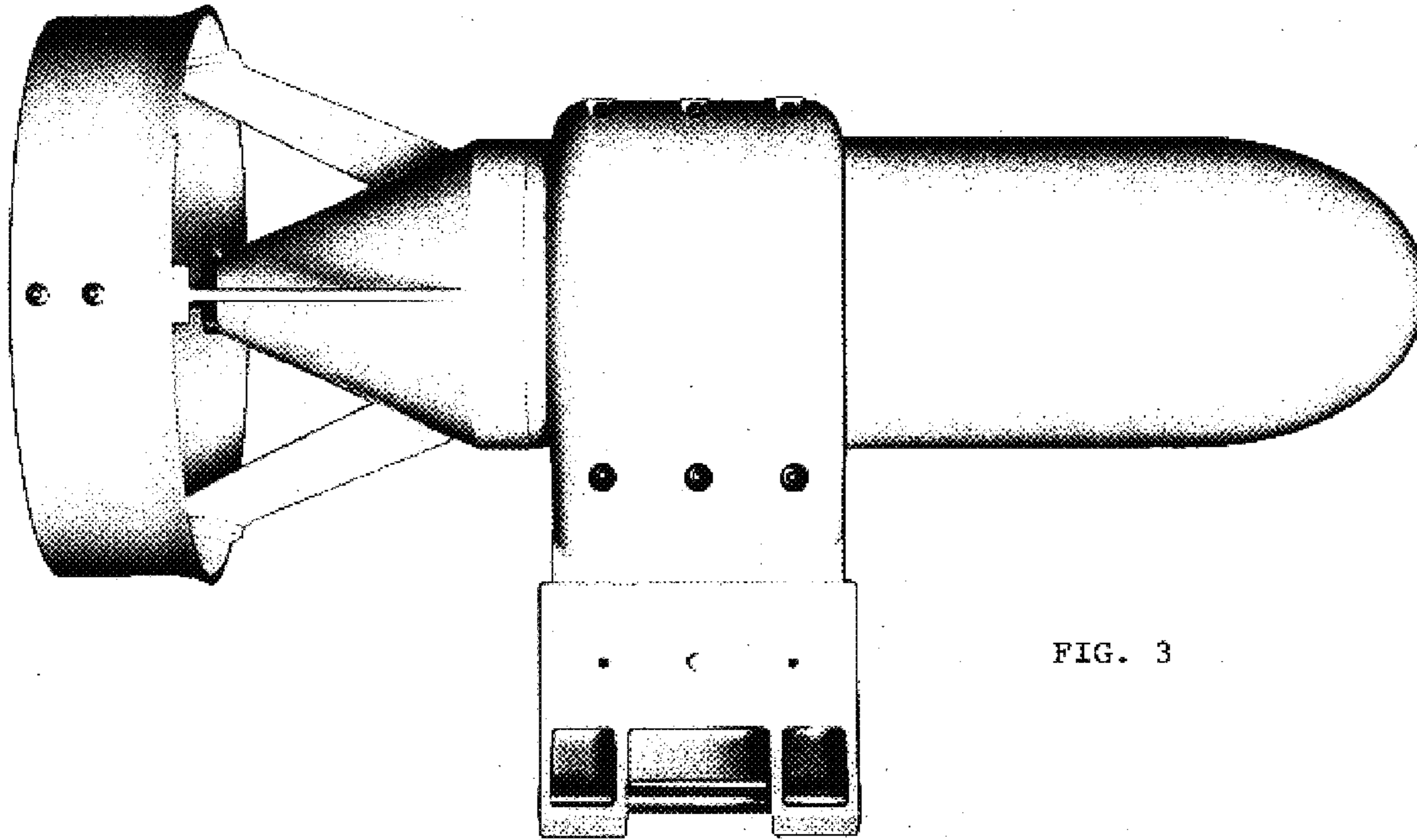


FIG. 3

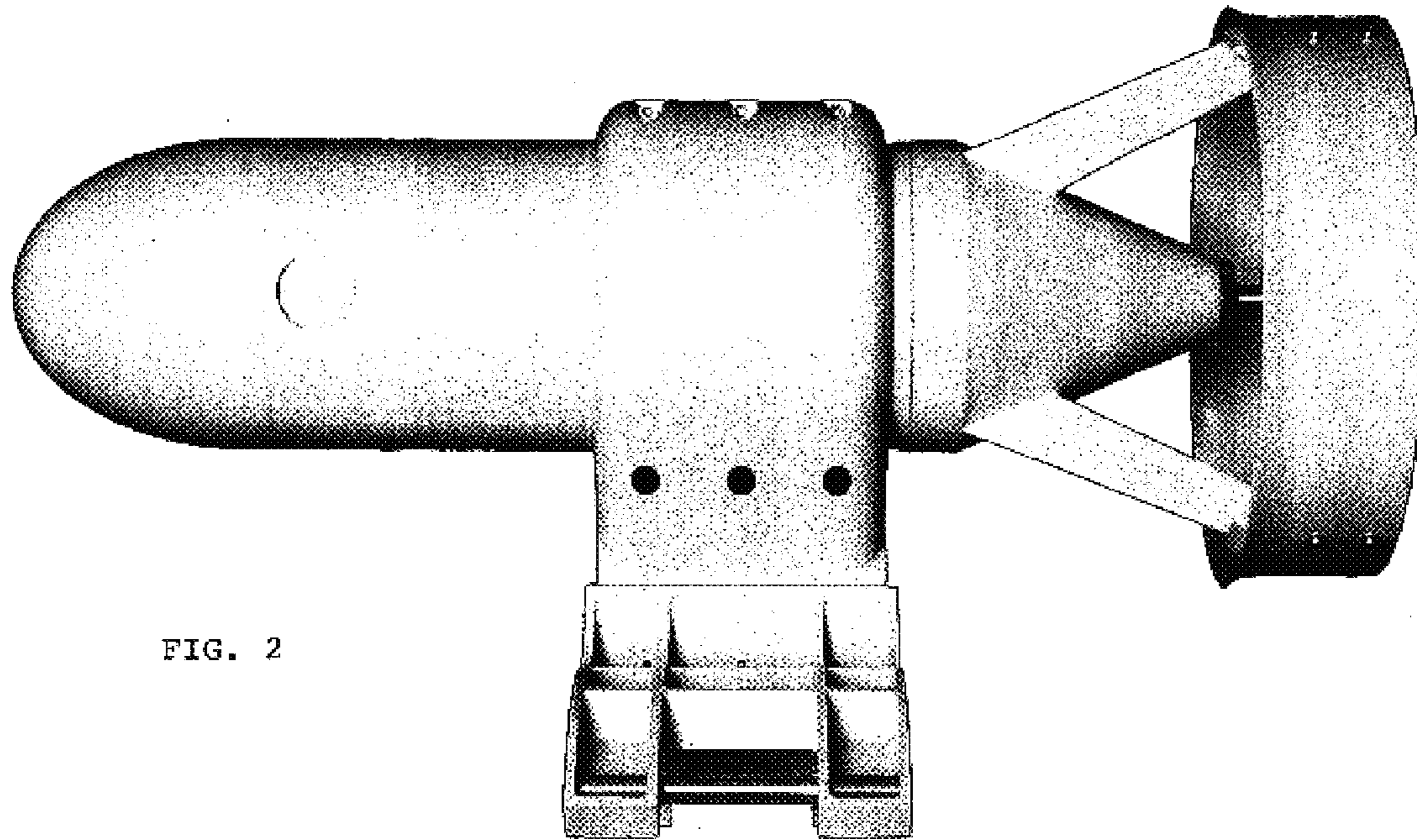


FIG. 2

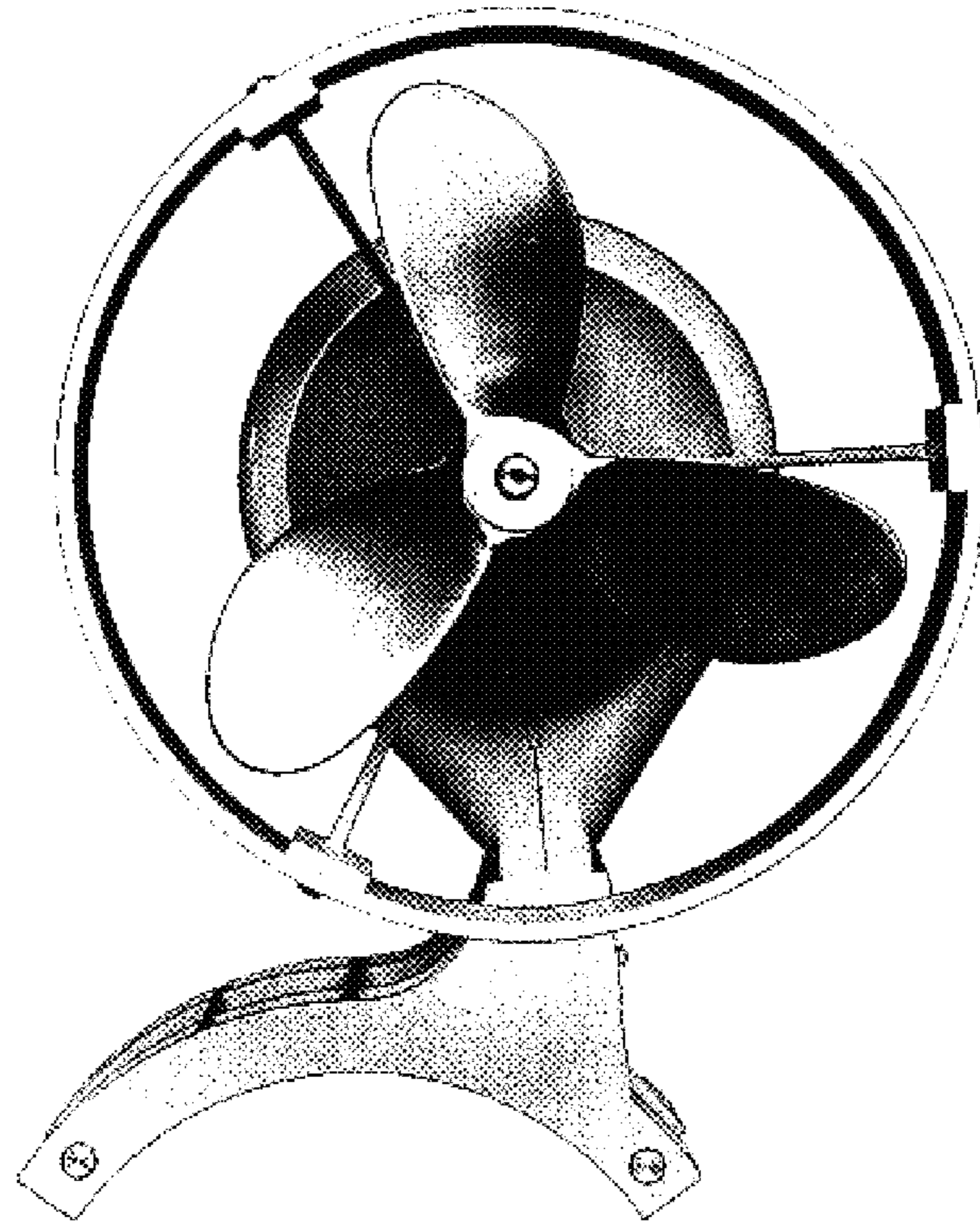


FIG. 4

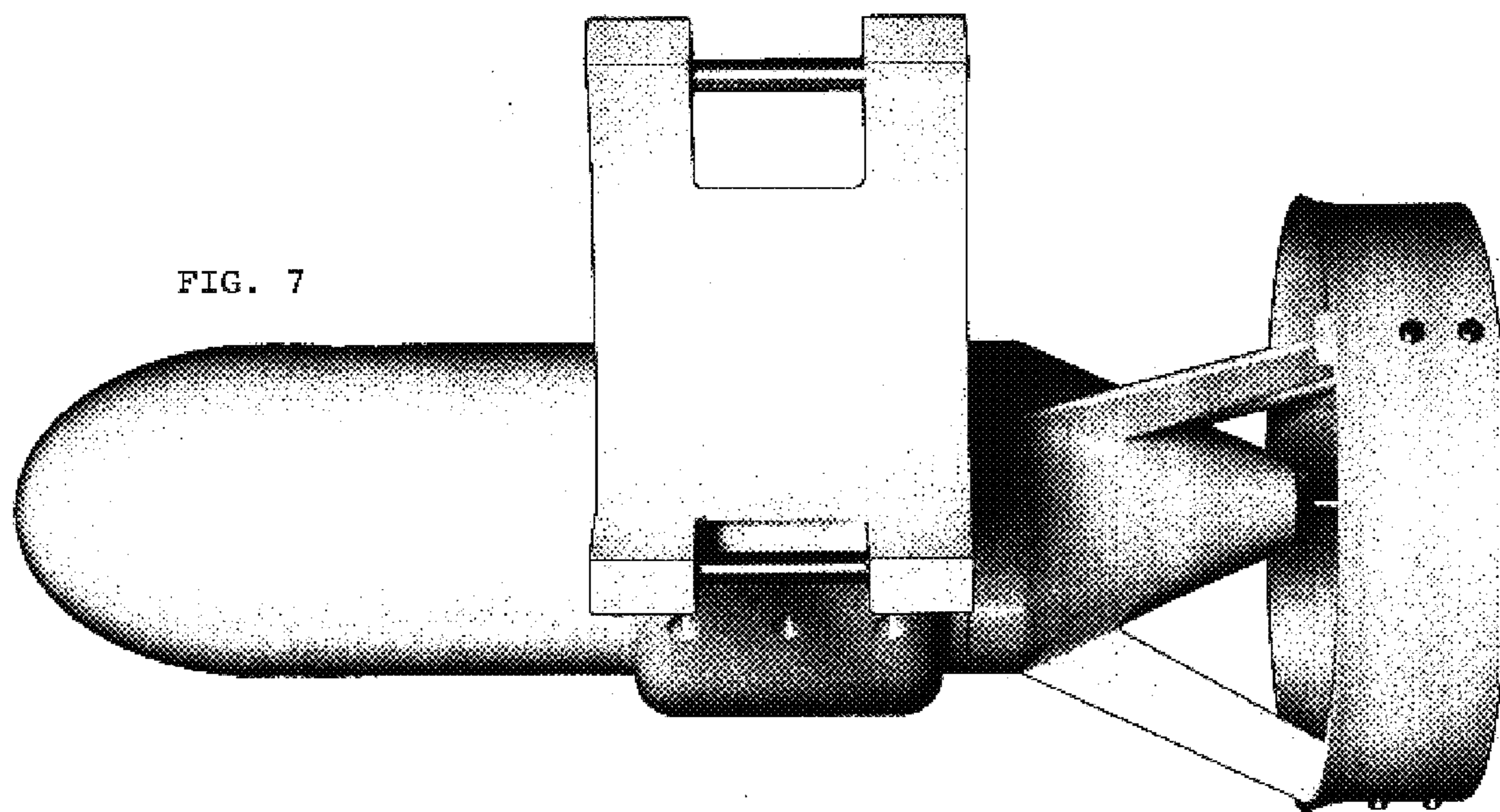


FIG. 7

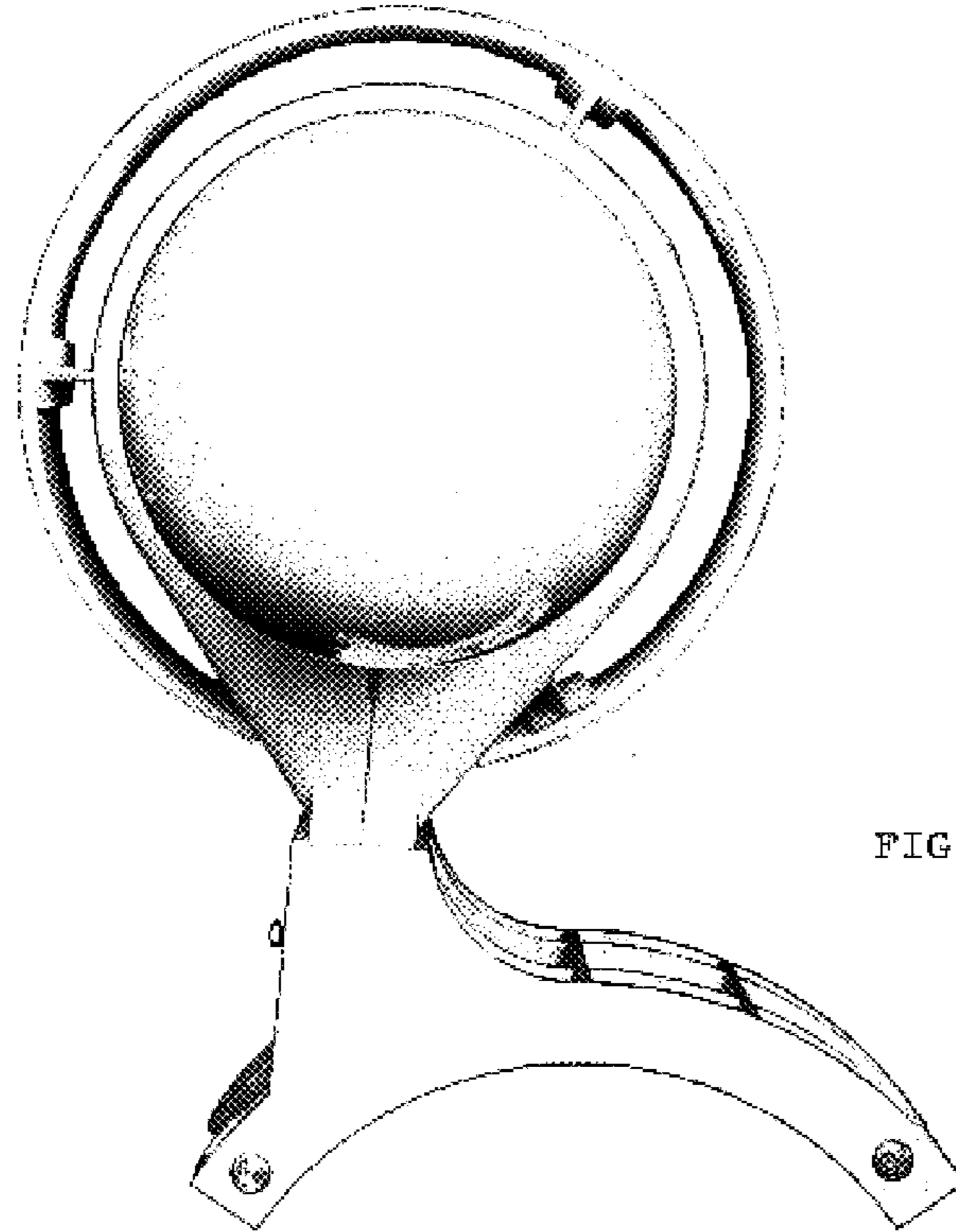


FIG. 5

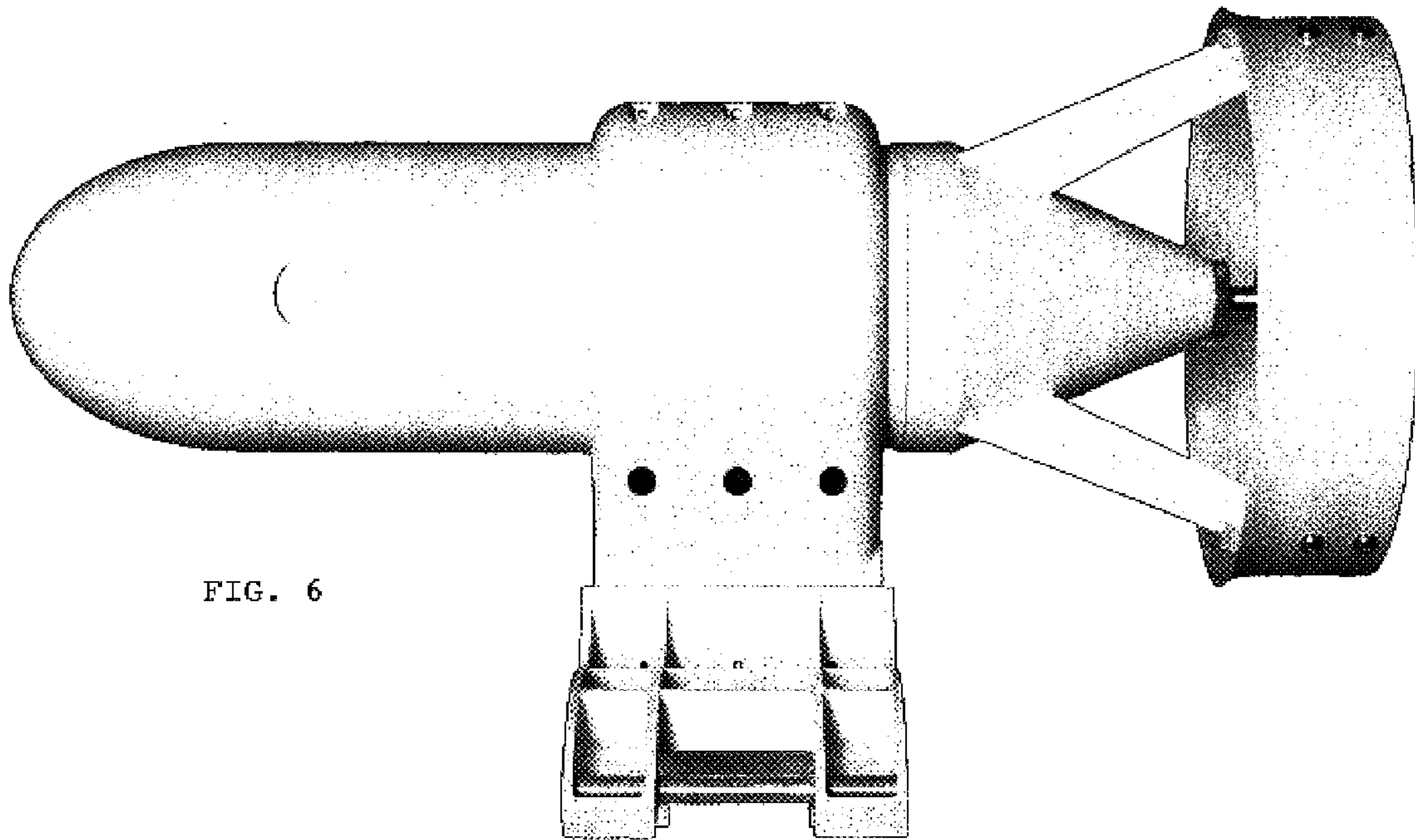


FIG. 6