



US00D524224S

(12) **United States Design Patent**
Guay et al.

(10) **Patent No.:** **US D524,224 S**

(45) **Date of Patent:** **** Jul. 4, 2006**

(54) **BOAT**

(75) Inventors: **Etienne Guay**, Orford (CA); **Joseph Ellice**, Sherbrooke (CA); **Steve Tetreault**, Fleurimont (CA); **Andre Cote**, Longueuil (CA); **Eric Plumb**, Bellerive, IL (US)

(73) Assignee: **BRP US Inc.**, Sturtevant, WI (US)

(**) Term: **14 Years**

(21) Appl. No.: **29/241,660**

(22) Filed: **Oct. 31, 2005**

Related U.S. Application Data

(62) Division of application No. 29/237,299, filed on Aug. 30, 2005.

(51) **LOC (8) Cl.** **12-06**

(52) **U.S. Cl.** **D12/300**

(58) **Field of Classification Search** D12/300-318;
114/61.1, 283, 288-292, 343, 355; 440/27,
440/35

See application file for complete search history.

(56) **References Cited**

U.S. PATENT DOCUMENTS

D345,339 S * 3/1994 Wenstadt et al. D12/313
D357,223 S * 4/1995 Thompson et al. D12/314
D375,479 S 11/1996 Lapointe et al.

D395,273 S * 6/1998 Maki et al. D12/314
D400,844 S * 11/1998 Lapointe et al. D12/307
D409,555 S 5/1999 Lapointe et al.
D459,693 S 7/2002 Aube et al.
D482,648 S 11/2003 Eck et al.
D489,311 S 5/2004 Eck
D490,766 S * 6/2004 Eck et al. D12/319
D509,469 S 9/2005 Longpre et al.

* cited by examiner

Primary Examiner—Holly Baynham
Assistant Examiner—Cynthia M. Chin

(74) *Attorney, Agent, or Firm*—Osler, Hoskin & Harcourt LLP

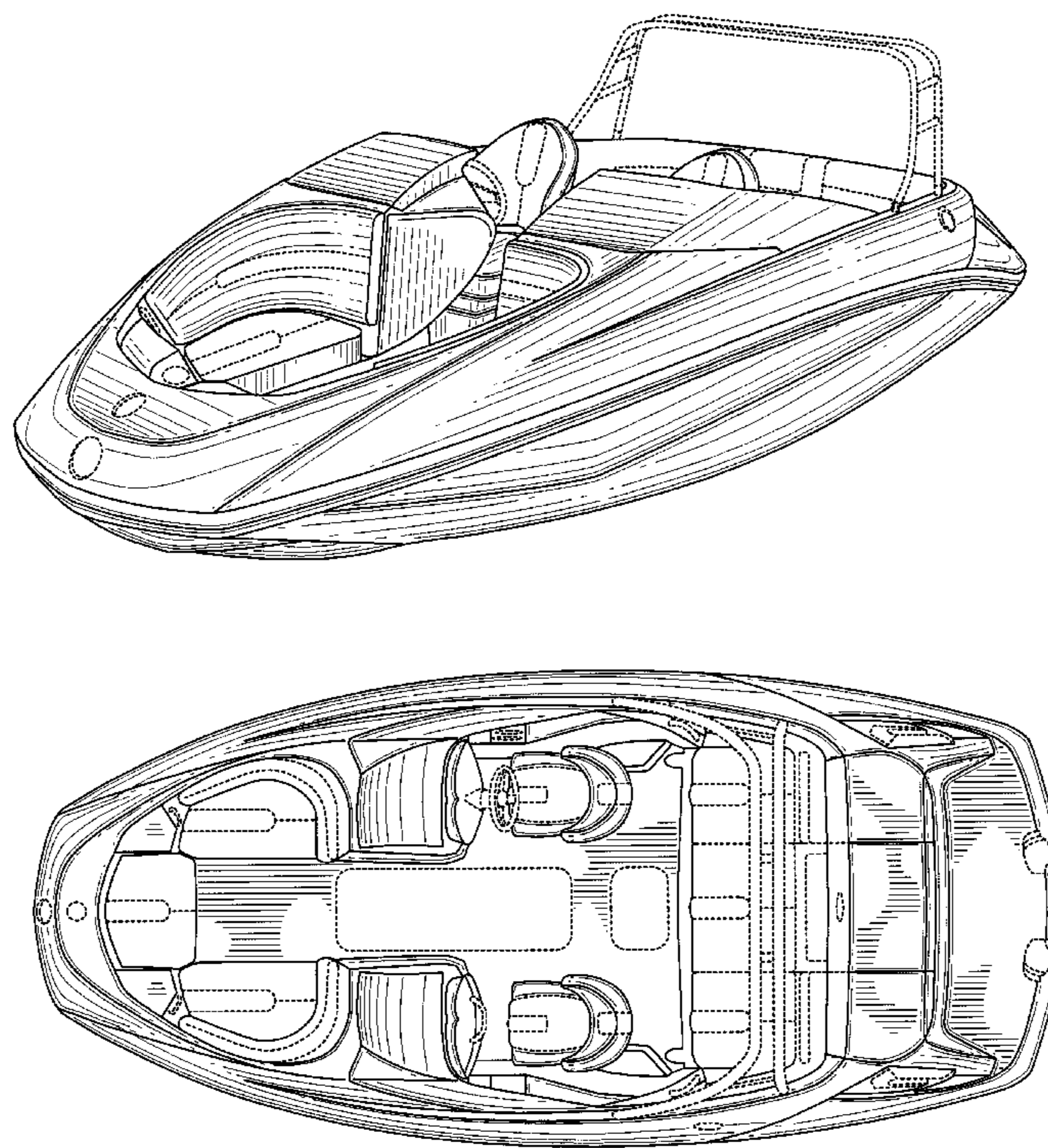
(57) **CLAIM**

The ornamental design for a boat, as shown and described.

DESCRIPTION

FIG. 1 is a perspective illustration, from the front and left side, of a boat of the present invention; FIG. 2 is a front view of the boat of FIG. 1; FIG. 3 is a rear view of the boat of FIG. 1; FIG. 4 is a left side view of the boat of FIG. 1; FIG. 5 is a right side view of the boat of FIG. 1; FIG. 6 is a top plan view of the boat of FIG. 1; and, FIG. 7 is a bottom plan view of the boat of FIG. 1. Where included, broken lines showing environment or structure are for illustrative purposes only and form no part of the claimed design.

1 Claim, 6 Drawing Sheets



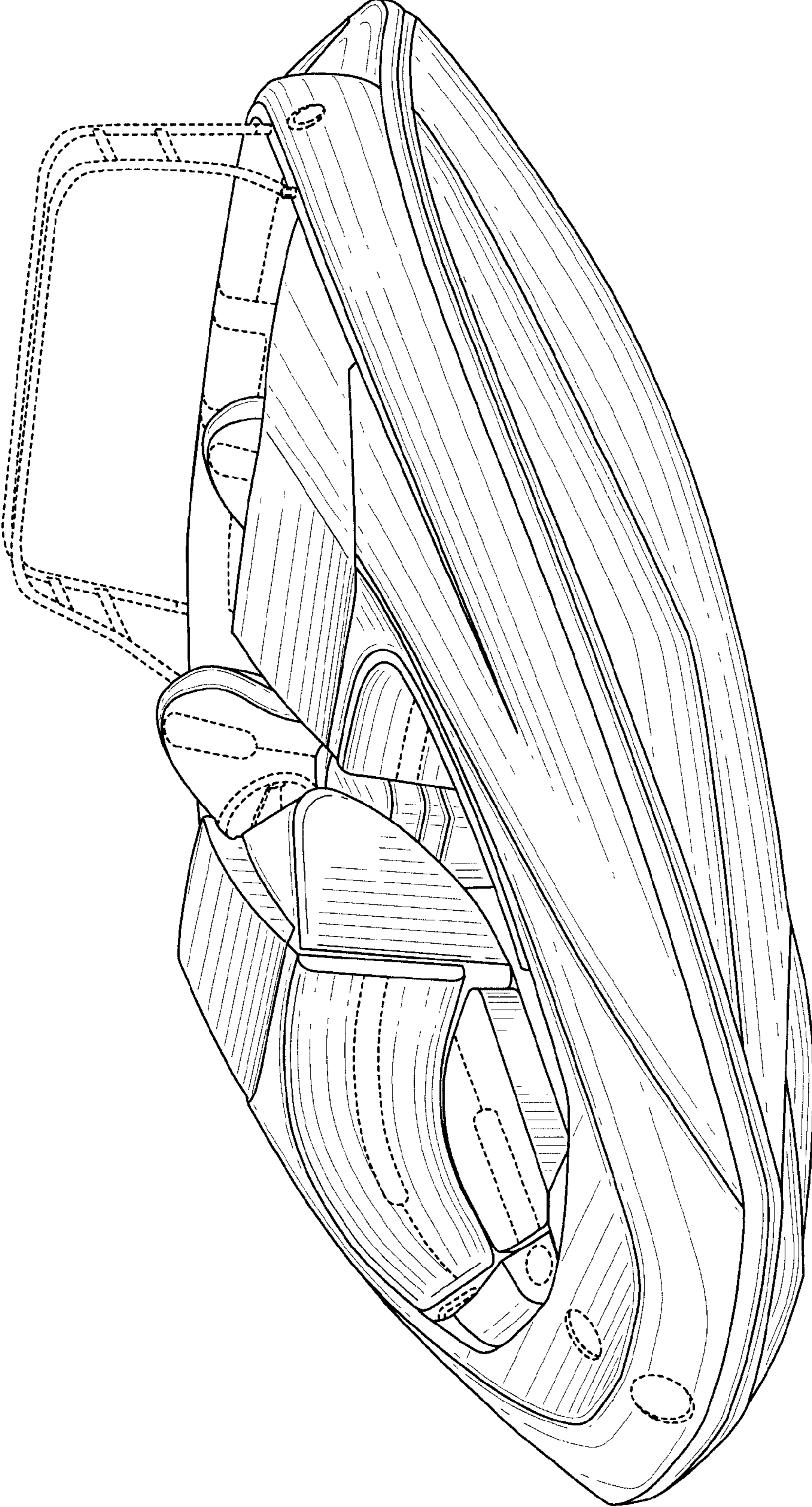


FIG. 1

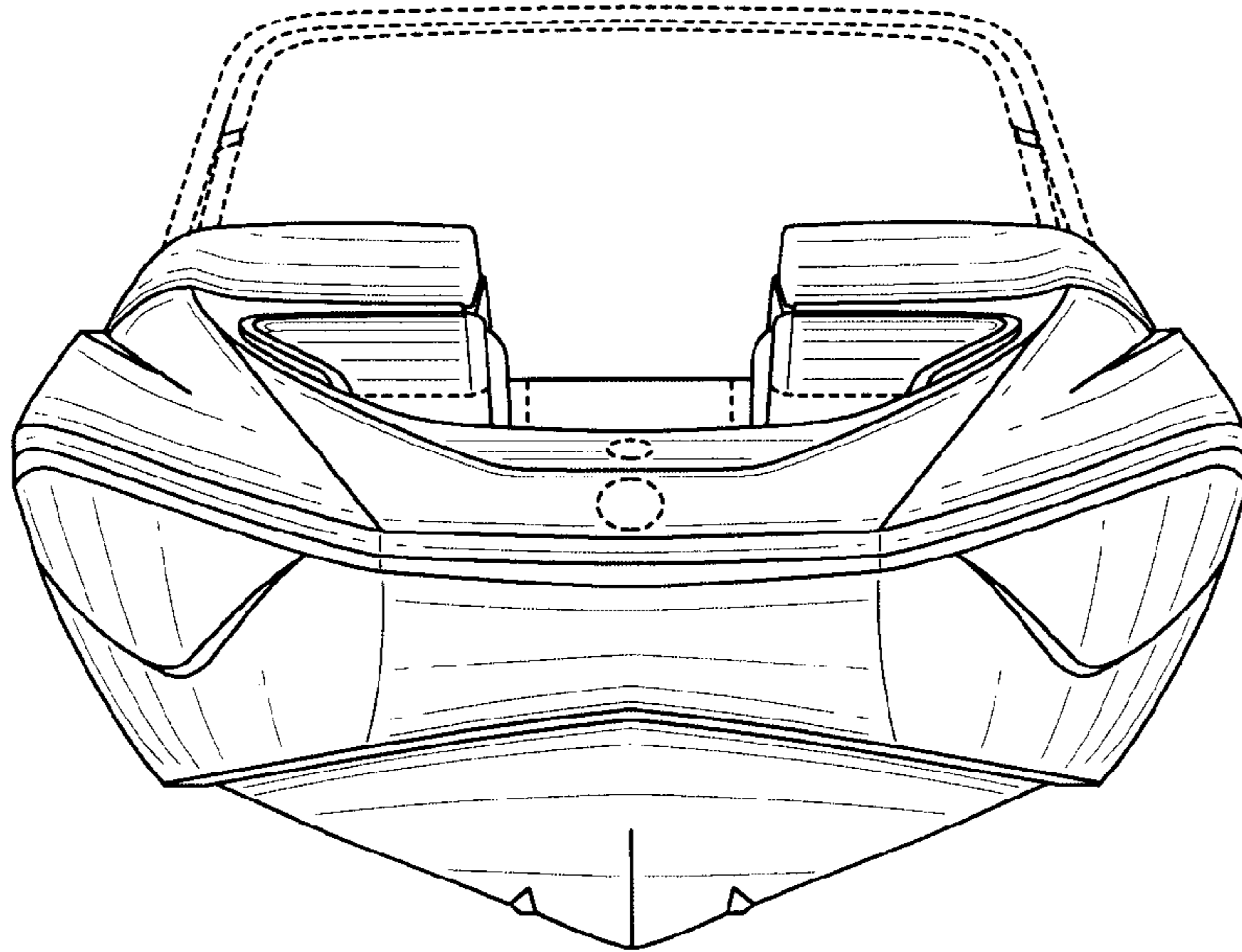


FIG. 2

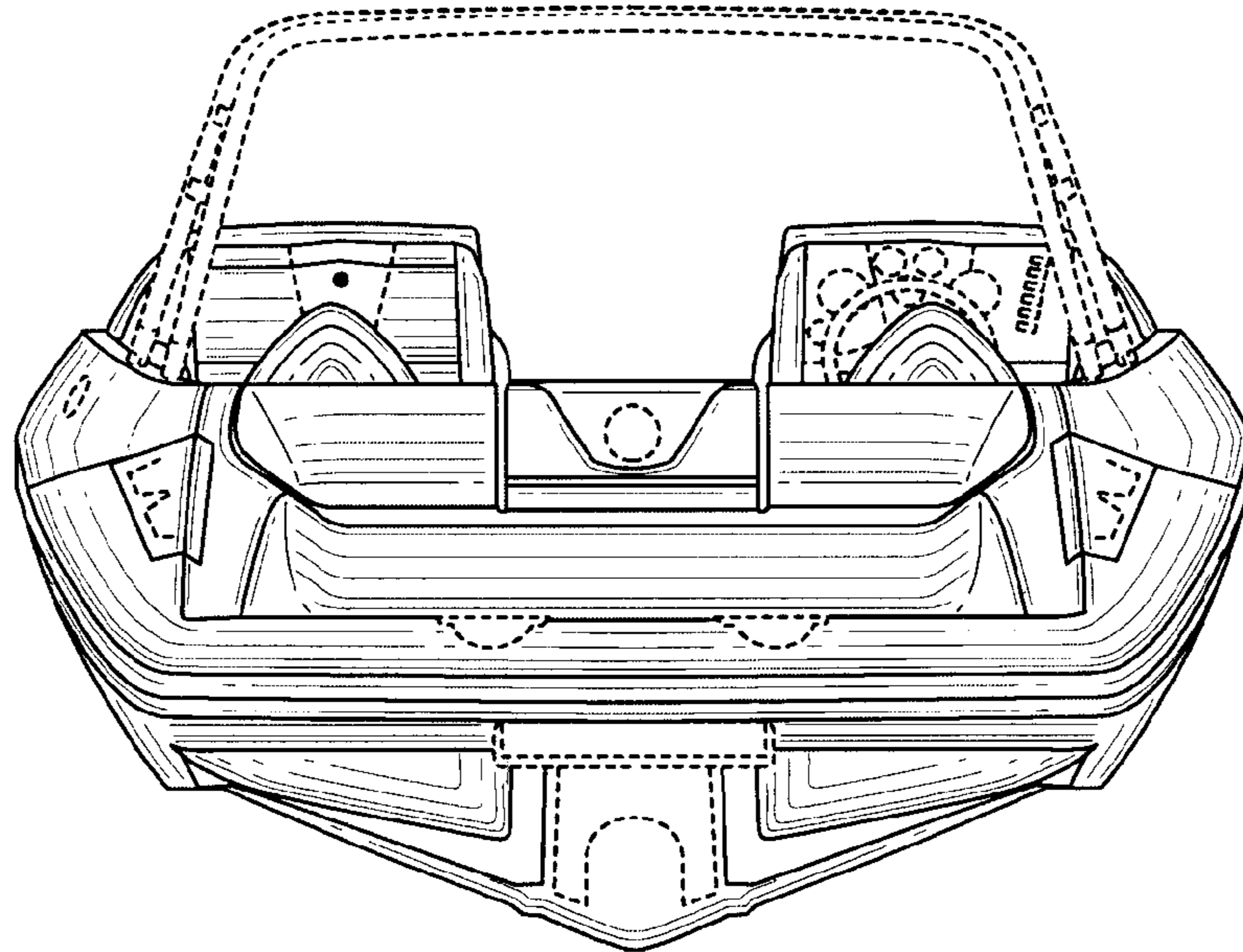


FIG. 3

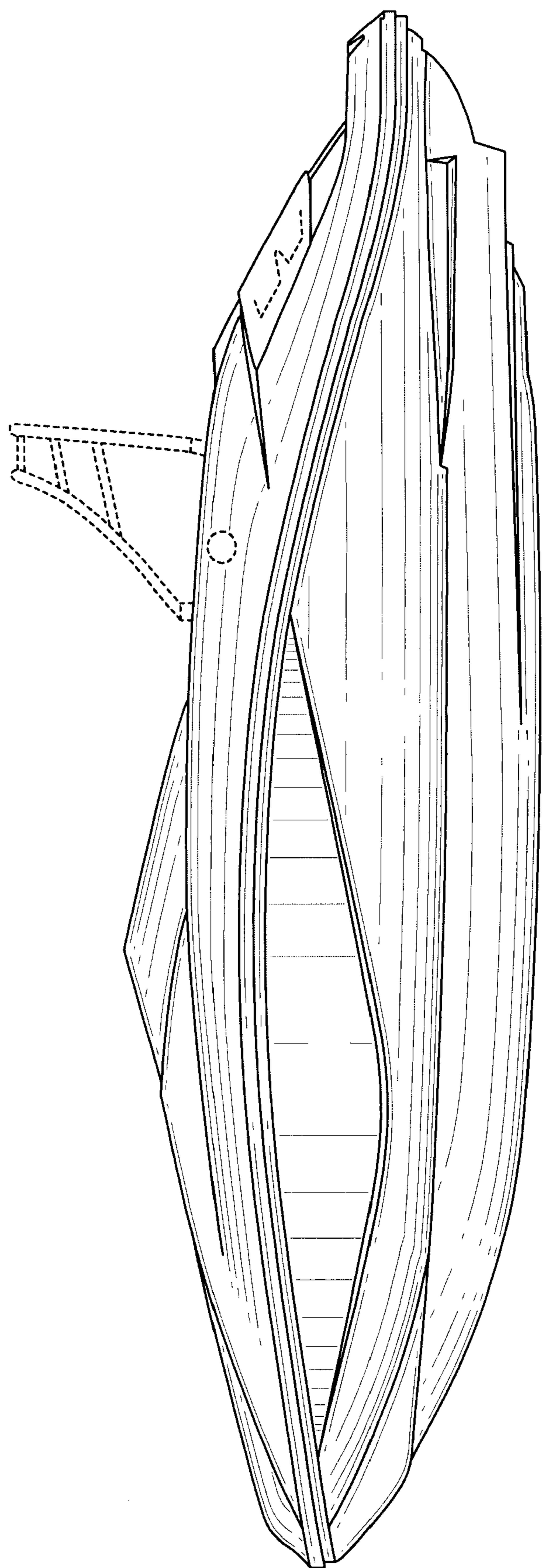


FIG. 4

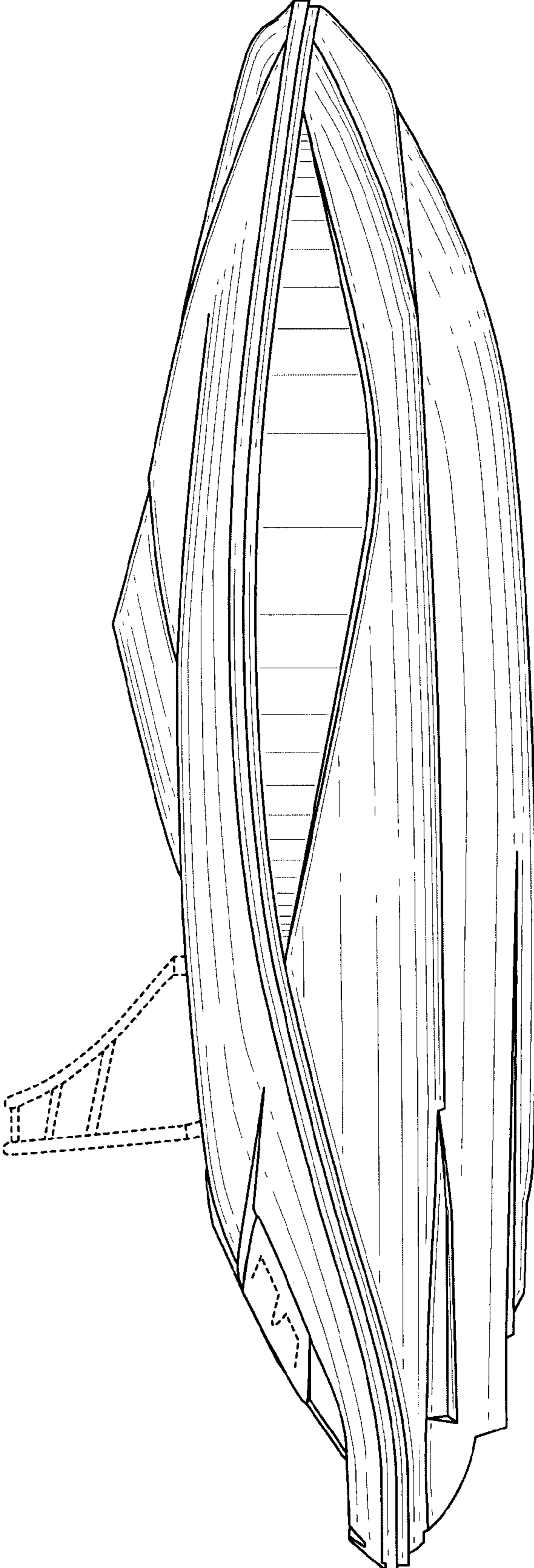


FIG. 5

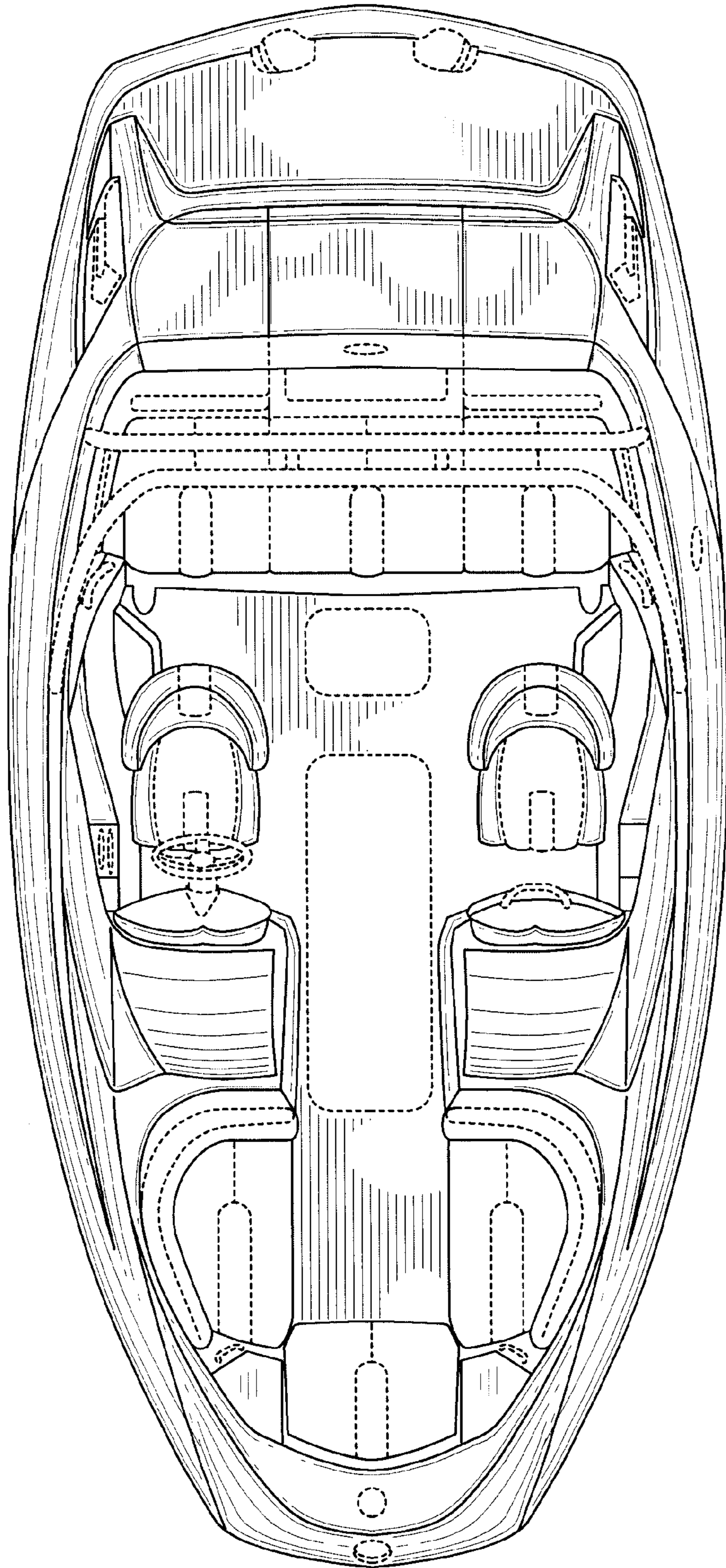


FIG. 6

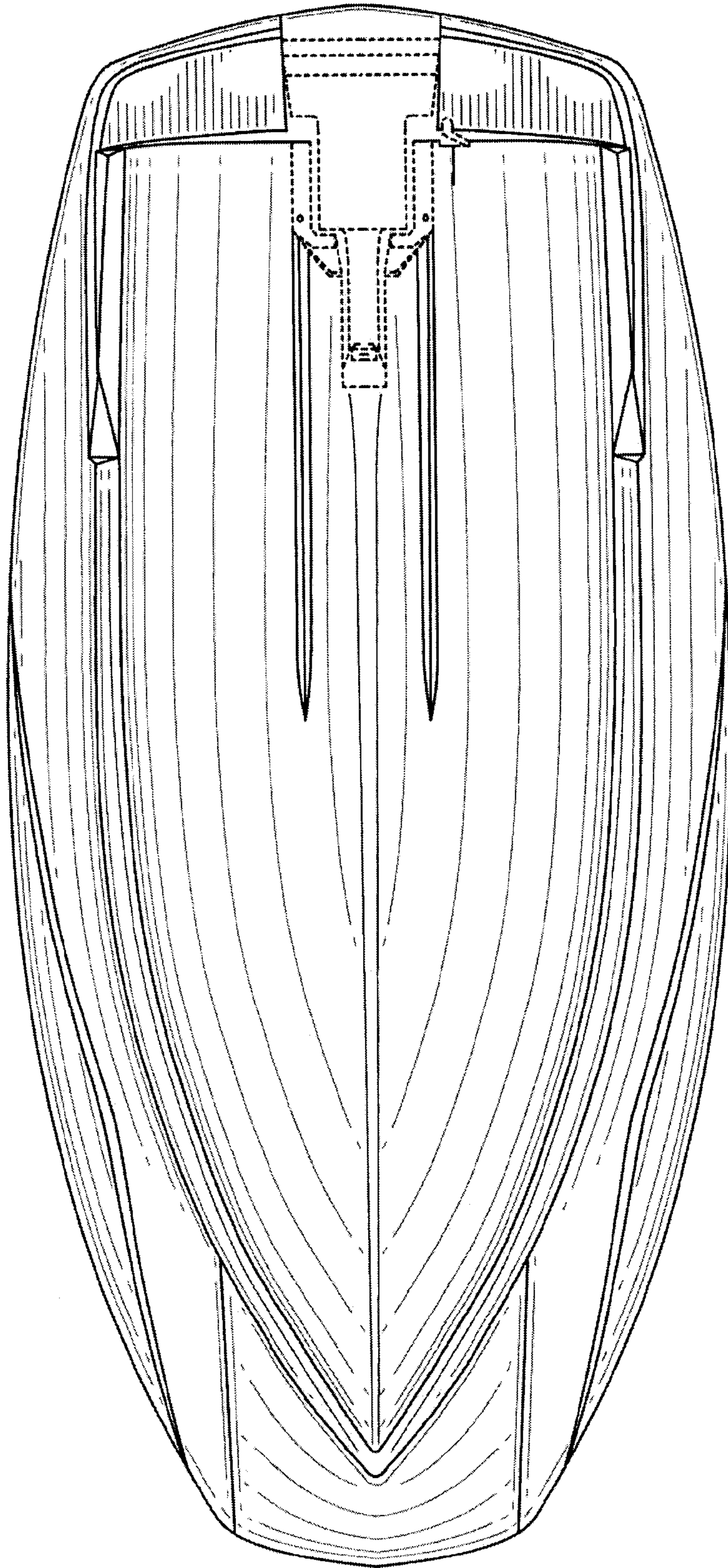


FIG. 7