



US00D524218S

(12) **United States Design Patent**
Madden

(10) **Patent No.:** **US D524,218 S**

(45) **Date of Patent:** **** Jul. 4, 2006**

(54) **WHEEL**

(75) **Inventor:** **William J. Madden**, Lake Arrowhead,
CA (US)

(73) **Assignee:** **Carroll Shelby Wheel Company, Inc.**,
Huntington Beach, CA (US)

(**) **Term:** **14 Years**

(21) **Appl. No.:** **29/240,483**

(22) **Filed:** **Oct. 12, 2005**

(51) **LOC (8) Cl.** **12-16**

(52) **U.S. Cl.** **D12/211**

(58) **Field of Classification Search** D12/204-213;
301/37.101, 64.101, 65
See application file for complete search history.

(56) **References Cited**

U.S. PATENT DOCUMENTS

D375,075 S * 10/1996 Kugler D12/209

D408,777 S * 4/1999 Chung D12/211
D425,850 S * 5/2000 Chung D12/211
D455,702 S * 4/2002 Cullen D12/211
D504,383 S * 4/2005 Pfeiffer D12/211

* cited by examiner

Primary Examiner—Stacia Cadmus

(74) *Attorney, Agent, or Firm*—Donn K. Harms

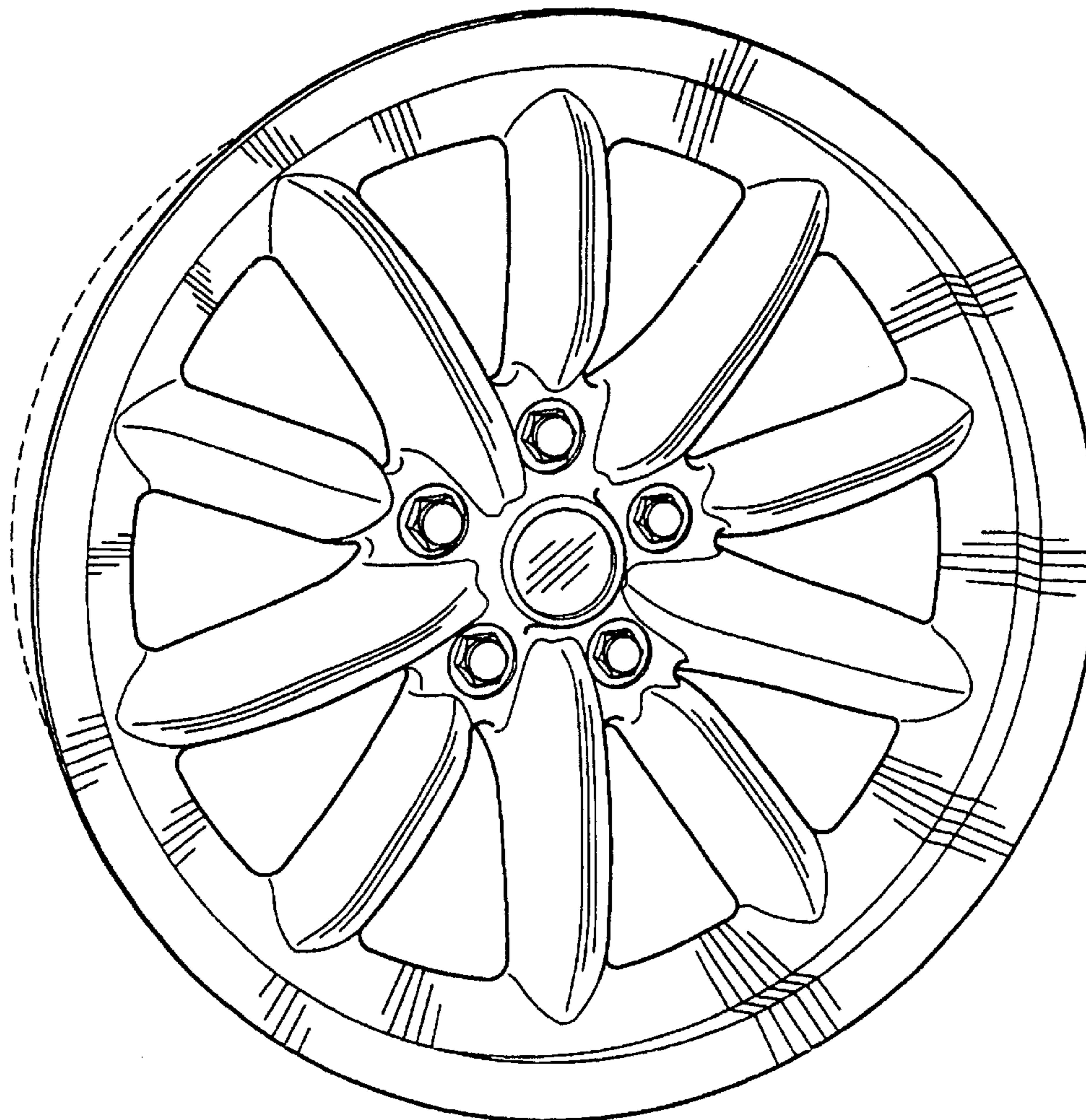
(57) **CLAIM**

The ornamental design for a wheel, as shown and described.

DESCRIPTION

FIG. 1 is a front perspective view of the wheel; and, FIG. 2 is a front plan view of the wheel, it being understood that the ornamental design of FIGS. 1 and 2 are not expressed in top, bottom and side views and thus they are omitted, the circumferentially outwardly disposed areas of the inside of the rim is shown for illustrative purposes only and forming no part of the claimed design.

1 Claim, 2 Drawing Sheets



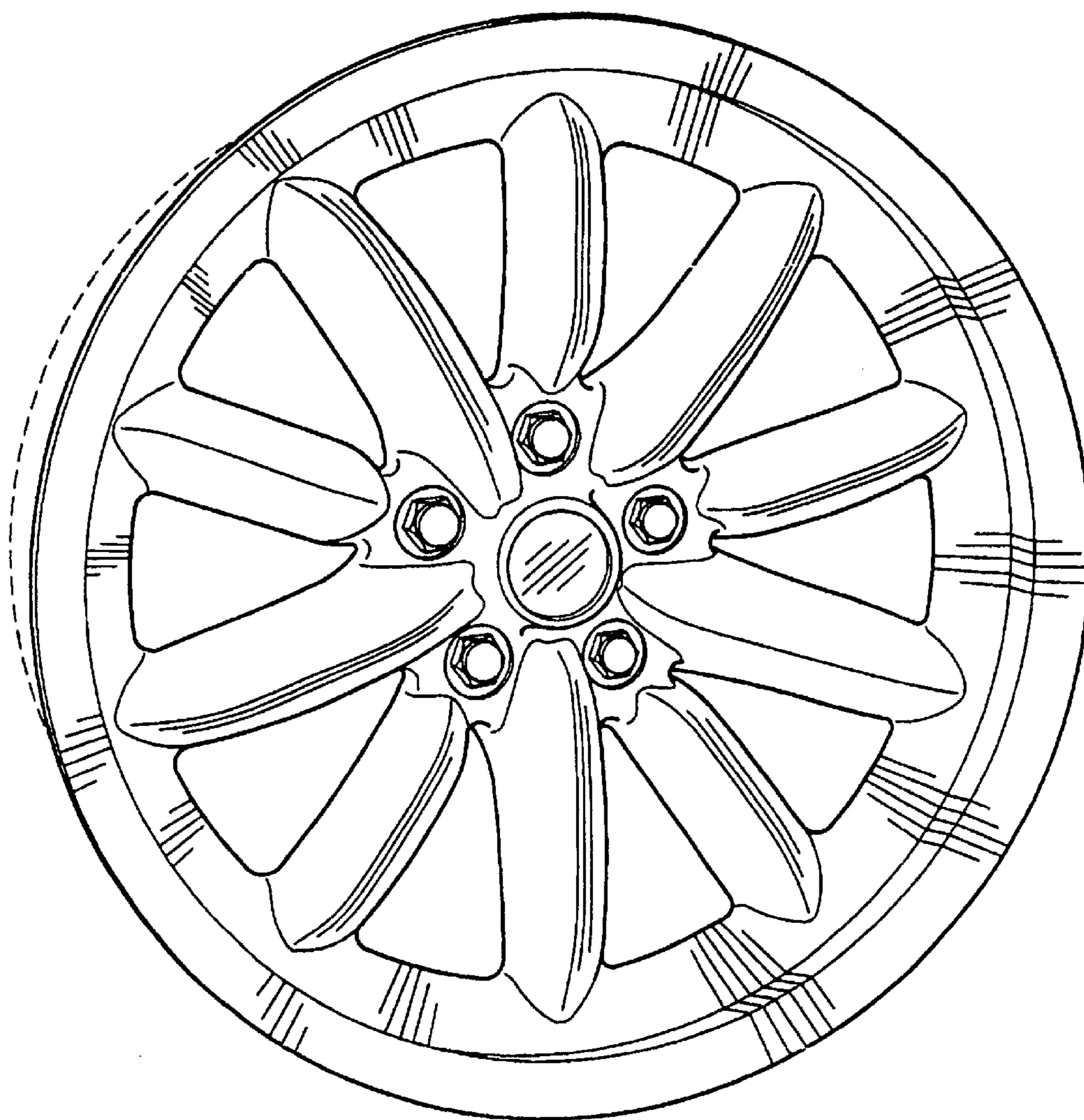


FIG. 1

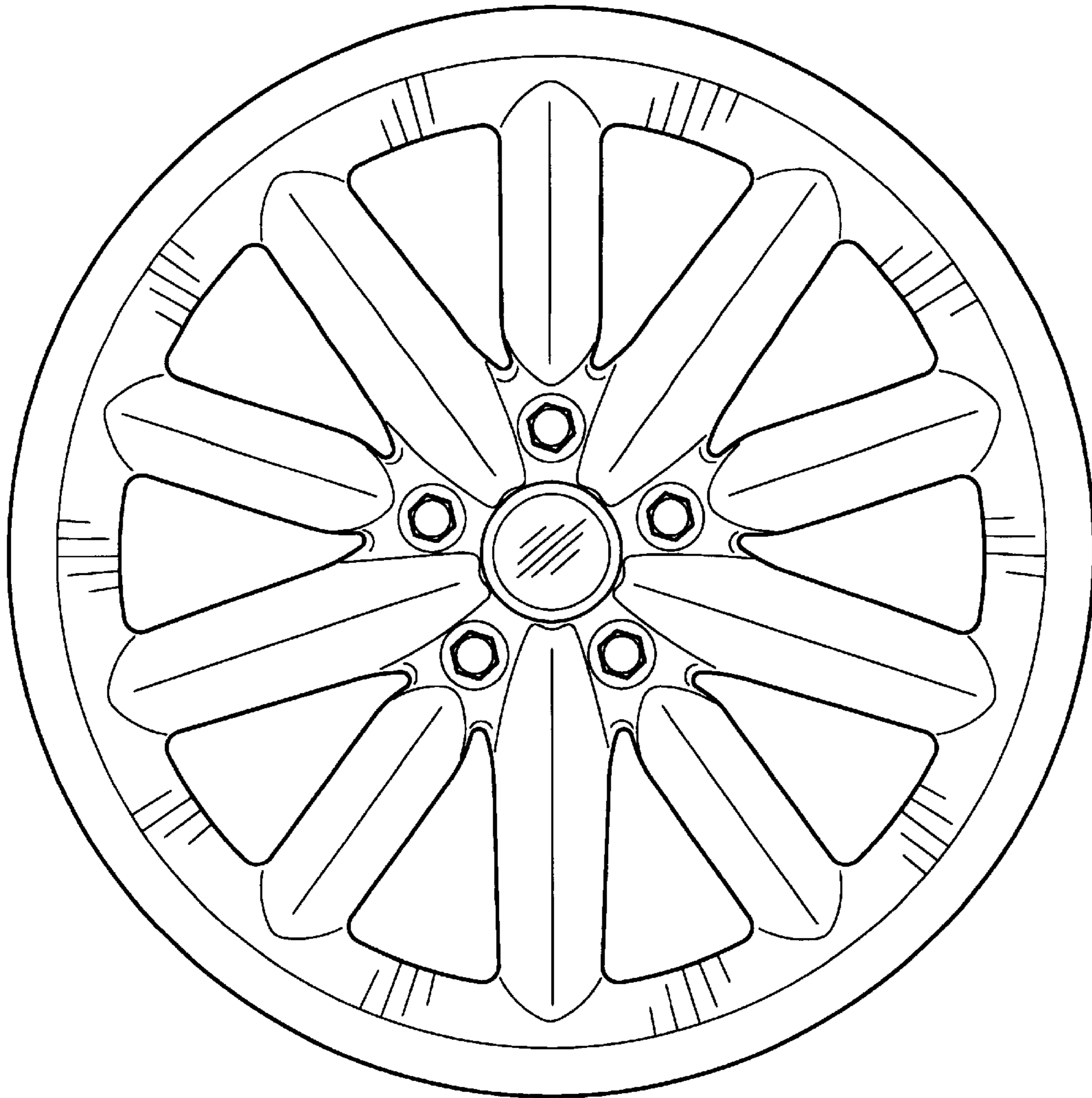


FIG. 2