

US00D524217S

(12) **United States Design Patent**
Aoki

(10) **Patent No.:** **US D524,217 S**

(45) **Date of Patent:** **** Jul. 4, 2006**

(54) **WHEEL**

(75) Inventor: **Masafumi Aoki**, Fukui-ken (JP)

(73) Assignee: **Kosei Aluminum Co., Ltd.**, Aichi (JP)

(**) Term: **14 Years**

(21) Appl. No.: **29/240,250**

(22) Filed: **Oct. 11, 2005**

(51) **LOC (8) Cl.** **12-16**

(52) **U.S. Cl.** **D12/211**

(58) **Field of Classification Search** D12/204-213;
301/37.101, 64.101, 65

See application file for complete search history.

(56) **References Cited**

U.S. PATENT DOCUMENTS

| | | | | | |
|------------|---|---------|-----------|-------|---------|
| D432,974 S | * | 10/2000 | Jablonski | | D12/211 |
| D461,441 S | * | 8/2002 | Hartanto | | D12/211 |
| D463,769 S | * | 10/2002 | Chung | | D12/211 |
| D478,307 S | * | 8/2003 | Maifrini | | D12/211 |
| D499,686 S | * | 12/2004 | Song | | D12/211 |

| | | | | | |
|------------|---|--------|----------|-------|---------|
| D503,919 S | * | 4/2005 | Cahyono | | D12/211 |
| D504,101 S | * | 4/2005 | Pfeiffer | | D12/211 |
| D506,172 S | * | 6/2005 | Pfeiffer | | D12/211 |

OTHER PUBLICATIONS

Kosei Company Profile—Working in Harmony with the Environment—circa 2003.

* cited by examiner

Primary Examiner—Stacia Cadmus

(74) *Attorney, Agent, or Firm*—Raymond M. Mehler; Cook, Alex, McFarron, Manzo, Cummings & Mehler, Ltd.

(57) **CLAIM**

The ornamental design for a wheel, as shown and described.

DESCRIPTION

FIG. 1 is a front perspective view of a wheel showing the new design;

FIG. 2 is a front elevational view thereof; and,

FIG. 3 is a top plan view thereof, the bottom plan view being identical thereto.

1 Claim, 2 Drawing Sheets

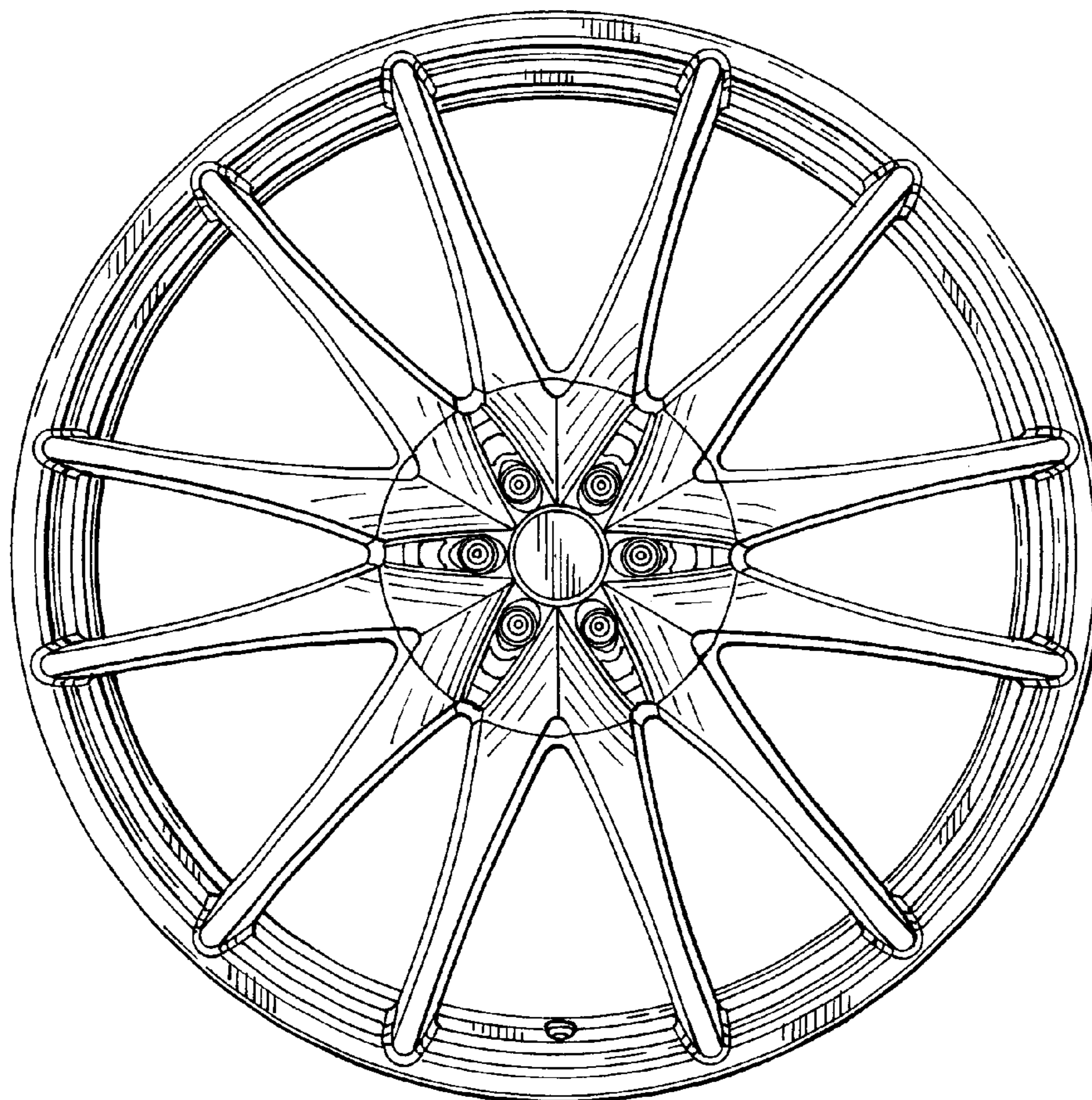


FIG.1

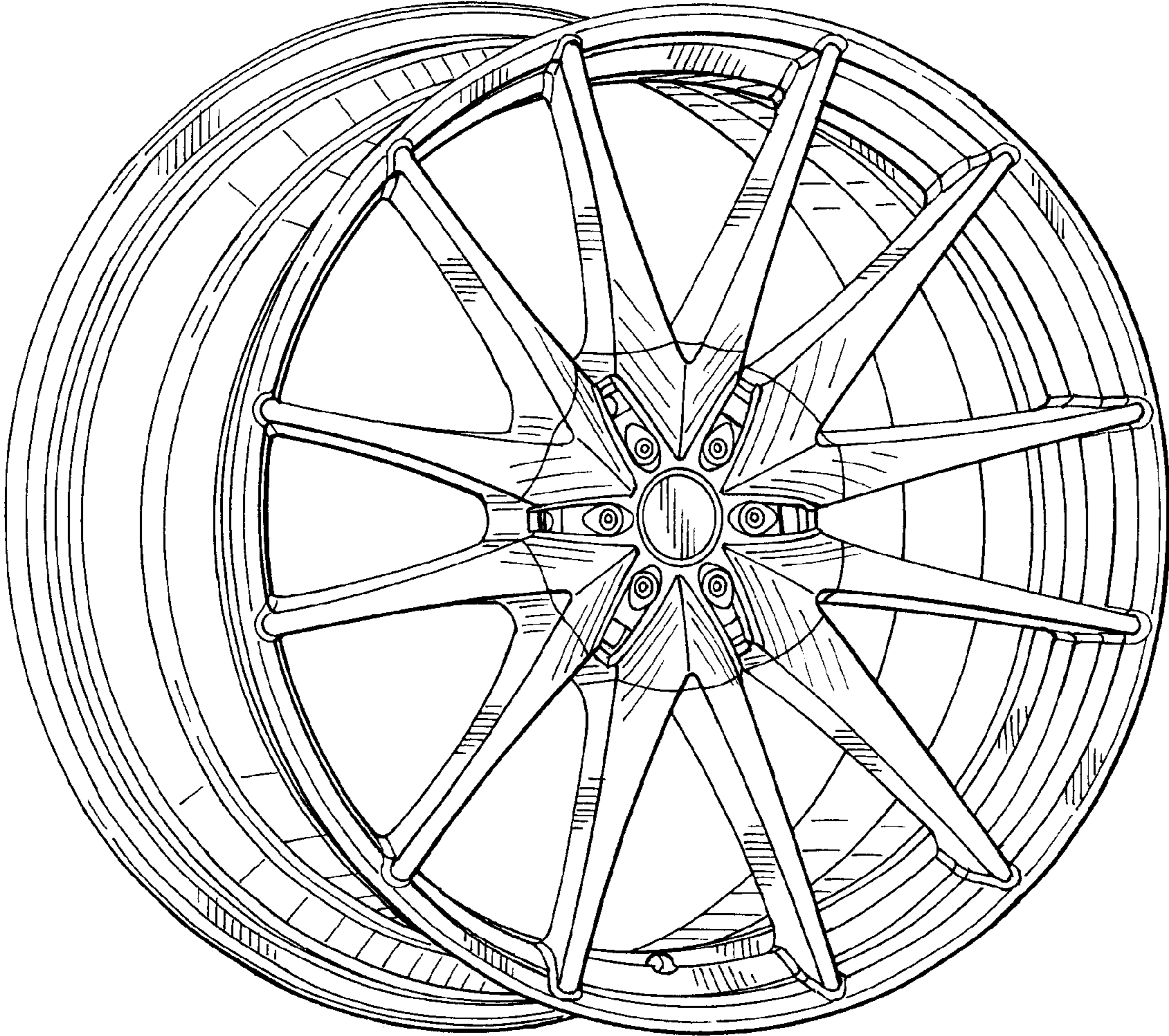


FIG.3

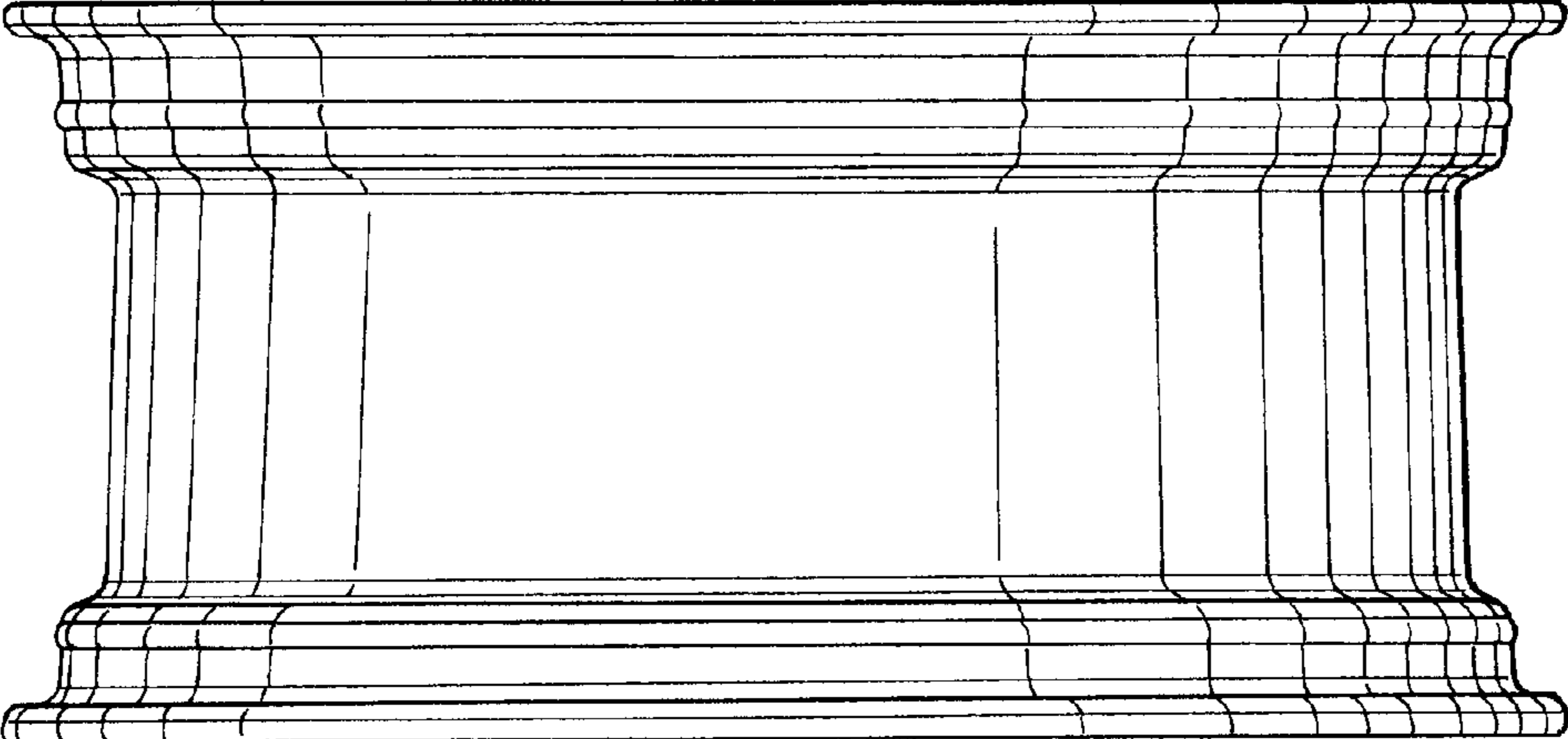


FIG.2

