



US00D524216S

(12) **United States Design Patent**
Scheu

(10) **Patent No.:** **US D524,216 S**
(45) **Date of Patent:** **** Jul. 4, 2006**

(54) **FRONT FACE OF A VEHICLE WHEEL**

(75) Inventor: **Armin Scheu**, Stuttgart (DE)

(73) Assignee: **DaimlerChrysler AG**, Stuttgart (DE)

(**) Term: **14 Years**

(21) Appl. No.: **29/239,457**

(22) Filed: **Sep. 30, 2005**

(30) **Foreign Application Priority Data**

Apr. 6, 2005 (DE) 405 01 867

(51) **LOC (8) Cl.** **12-16**

(52) **U.S. Cl.** **D12/211**

(58) **Field of Classification Search** D12/204-213;
301/37.101, 64.101, 65
See application file for complete search history.

(56) **References Cited**

U.S. PATENT DOCUMENTS

D444,118 S * 6/2001 Chung D12/211
D459,692 S * 7/2002 Vian D12/211
D460,036 S * 7/2002 Yajima D12/211

D480,348 S * 10/2003 Donikoglu D12/211
D481,982 S * 11/2003 Takechi D12/211
D499,683 S * 12/2004 Kushartanto D12/209
D500,725 S * 1/2005 Hong D12/211
D504,860 S * 5/2005 Kushartanto D12/211

* cited by examiner

Primary Examiner—Stacia Cadmus

(74) *Attorney, Agent, or Firm*—Crowell & Moring LLP

(57) **CLAIM**

The ornamental design for a front face of a vehicle wheel, as shown and described.

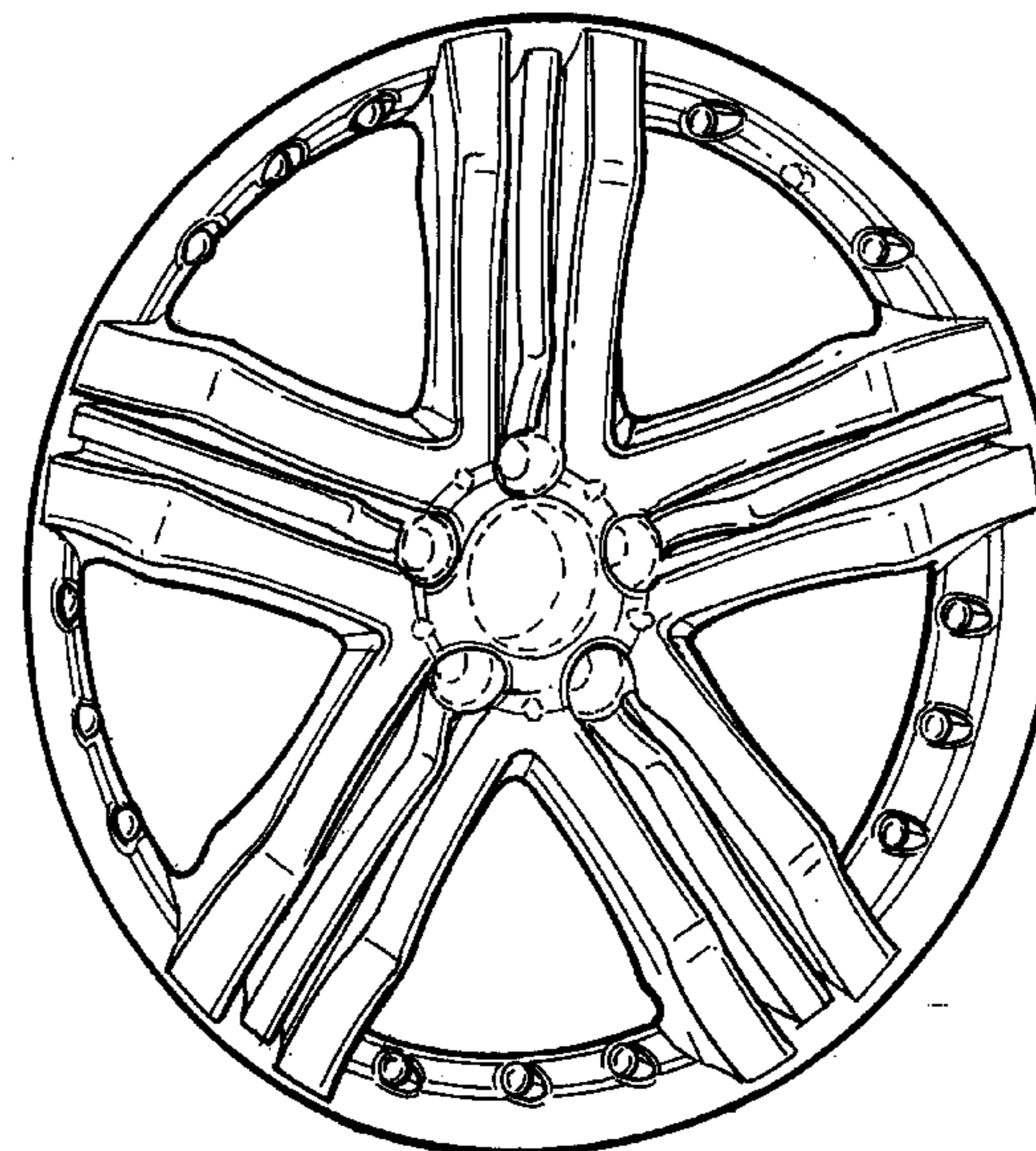
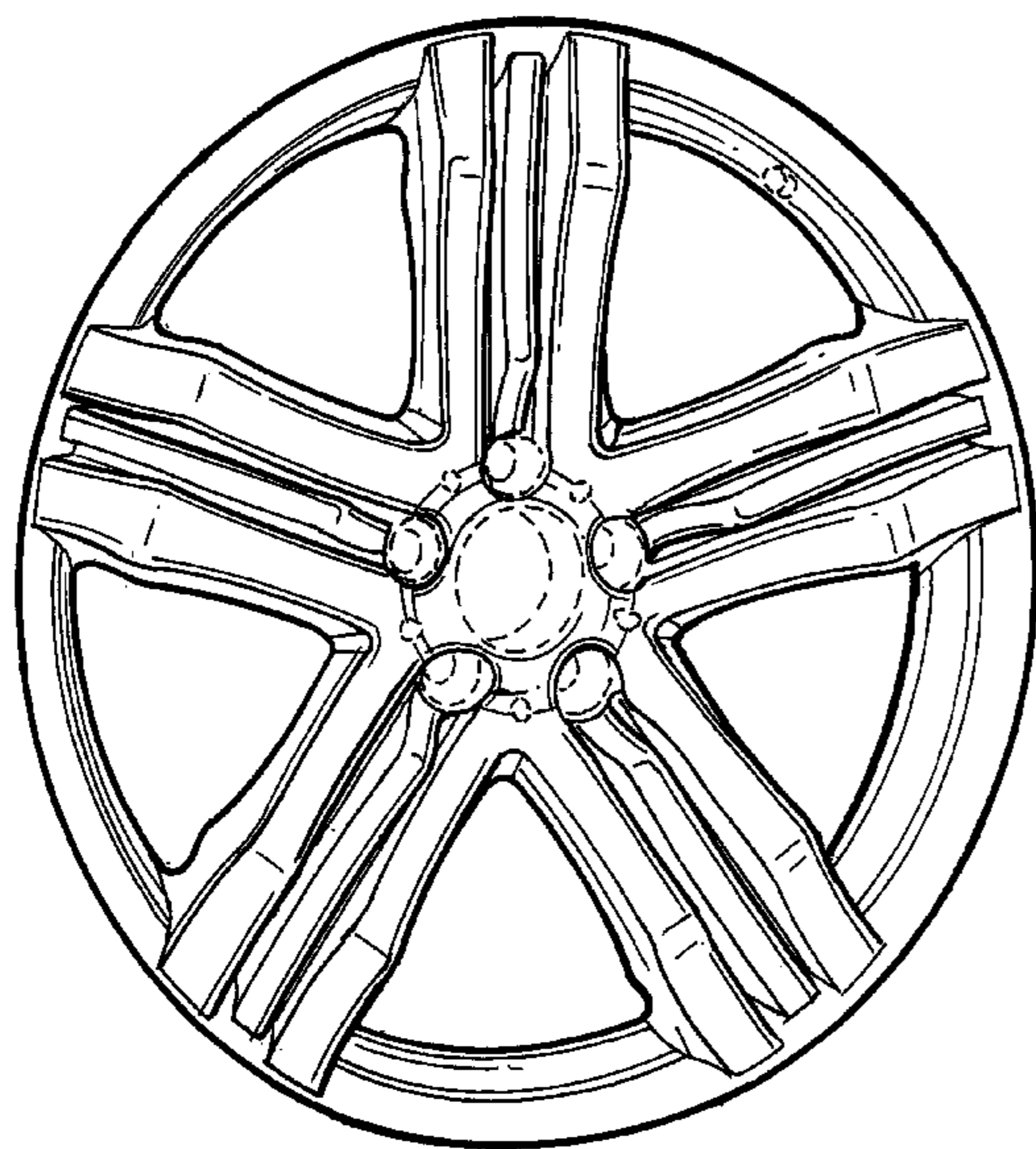
DESCRIPTION

FIG. 1 is a front view of a first embodiment of a front face of a vehicle wheel according to my novel design; and FIG. 2 is a perspective view thereof.

FIG. 3 is a front view of a second embodiment of the front face of a vehicle wheel according to my novel design; and, FIG. 4 is a perspective view thereof.

The broken lines are for illustrative purposes only and form no part of the claimed design.

1 Claim, 2 Drawing Sheets



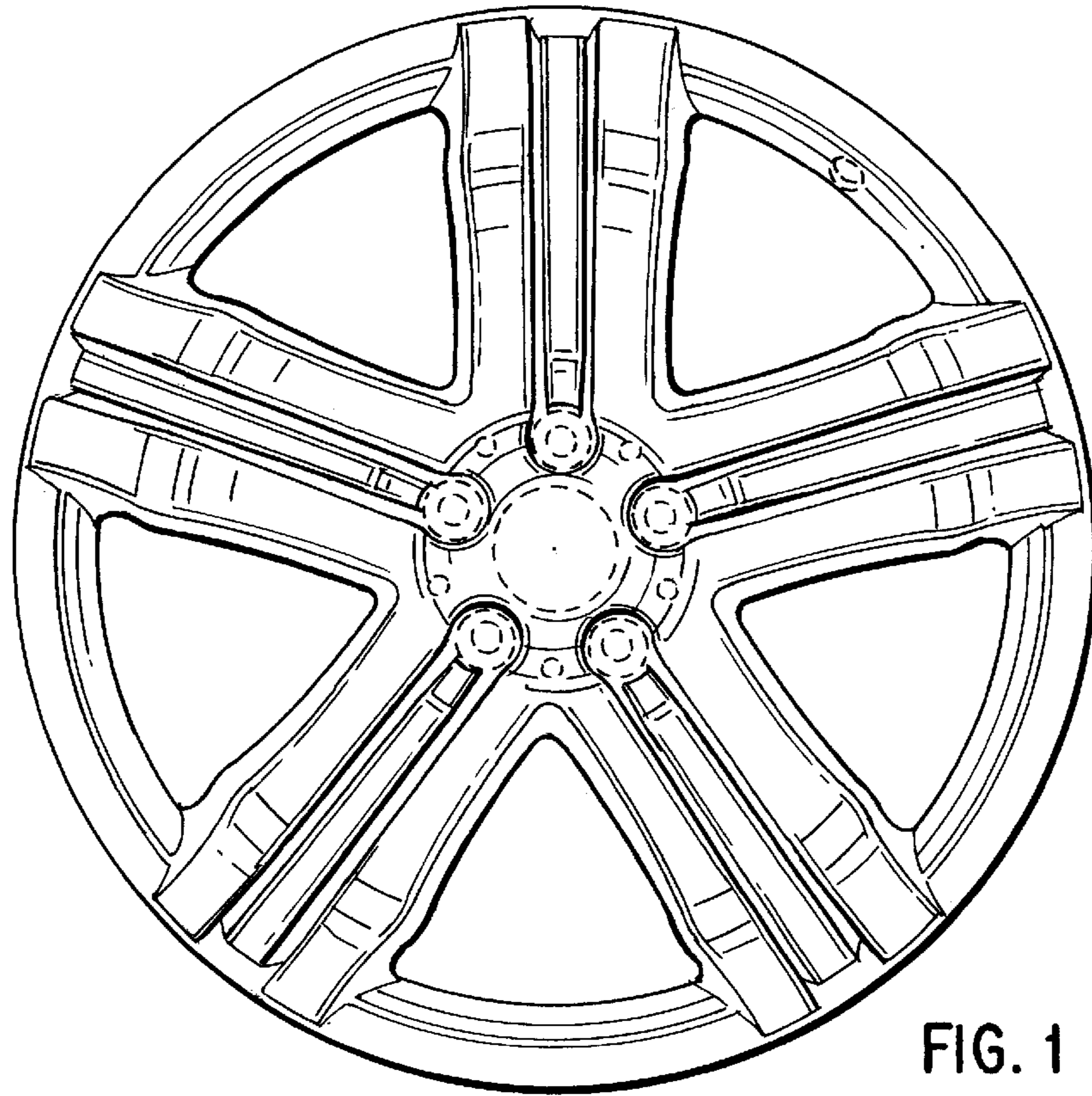


FIG. 1

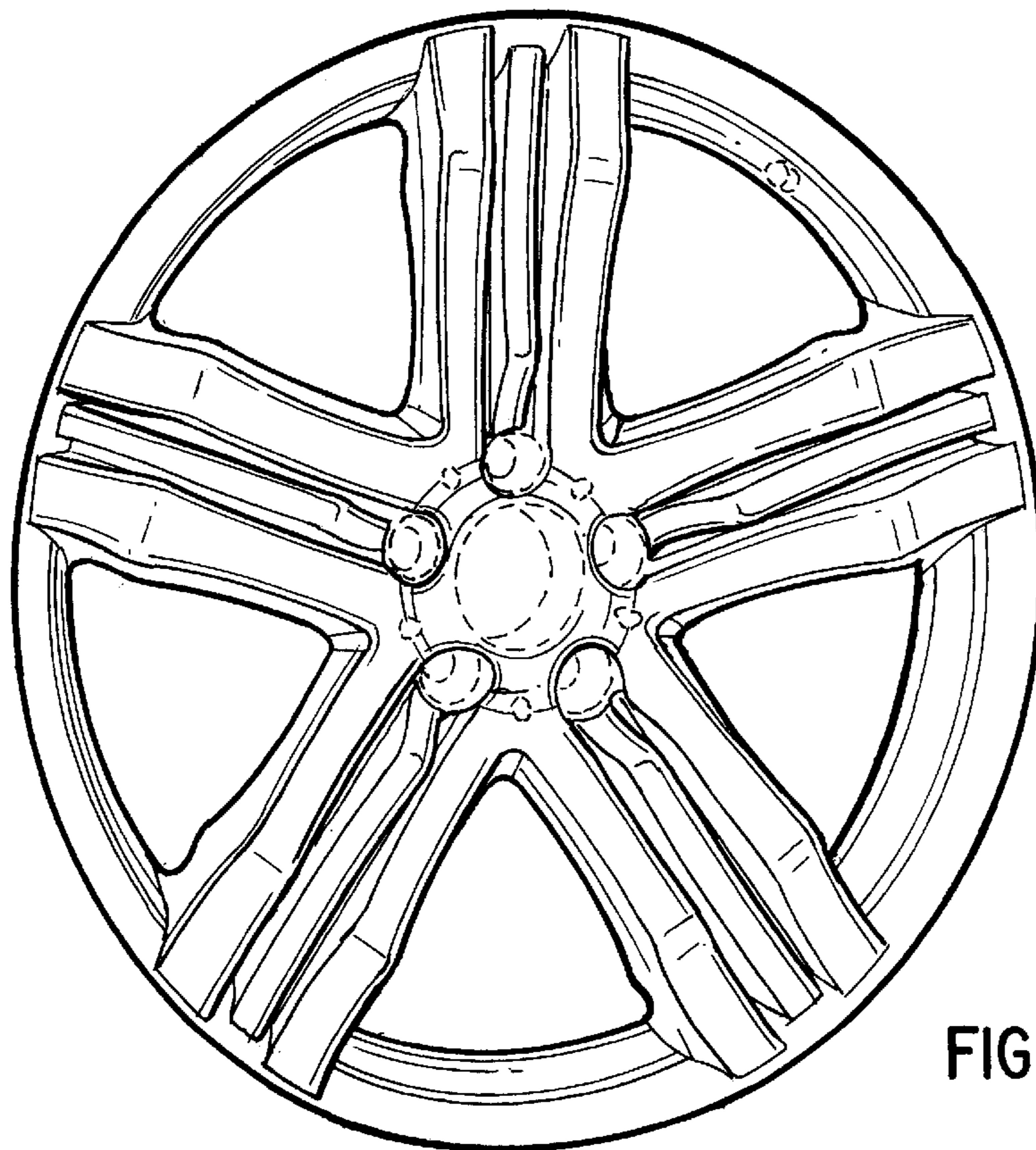


FIG. 2

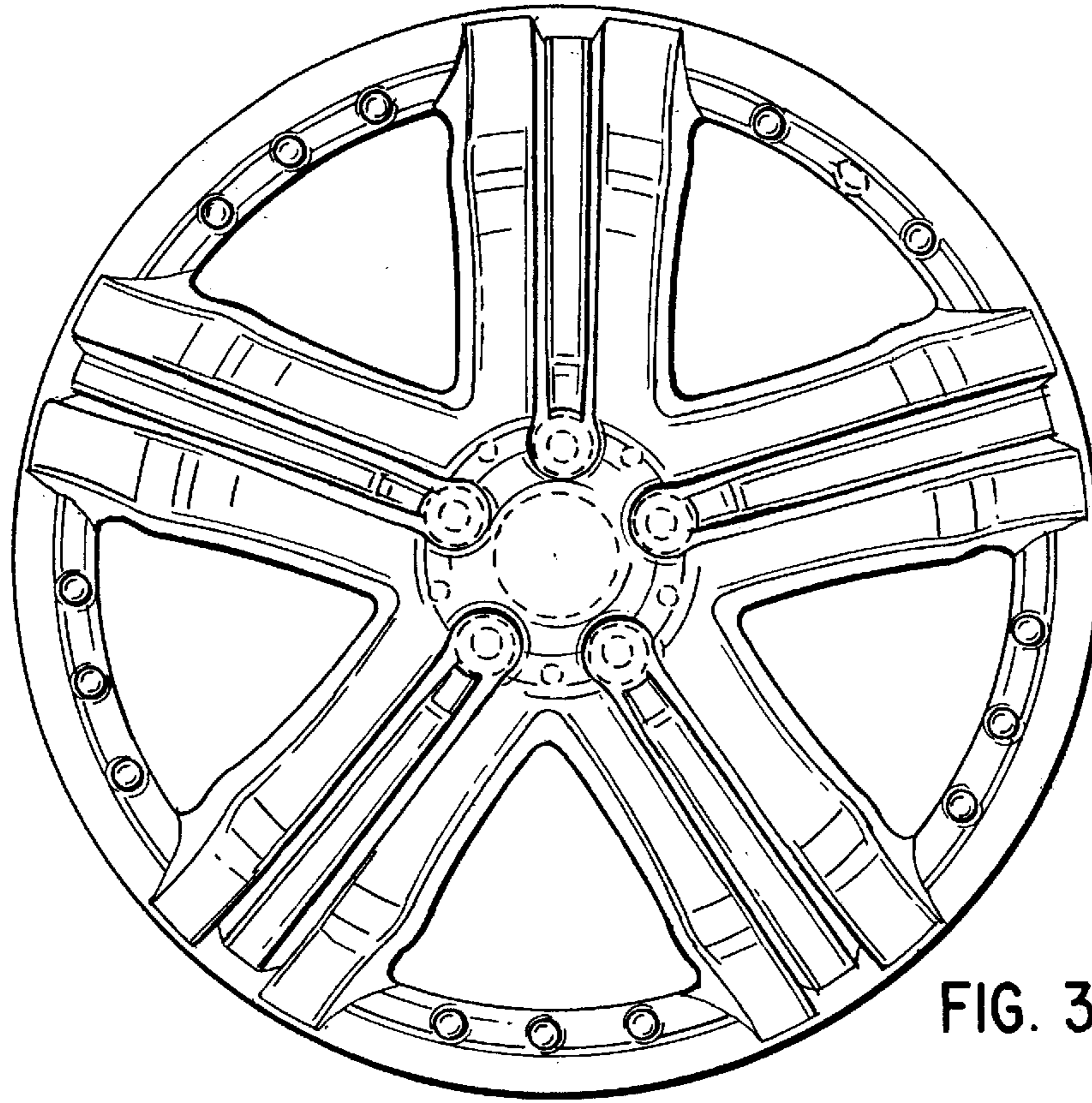


FIG. 3

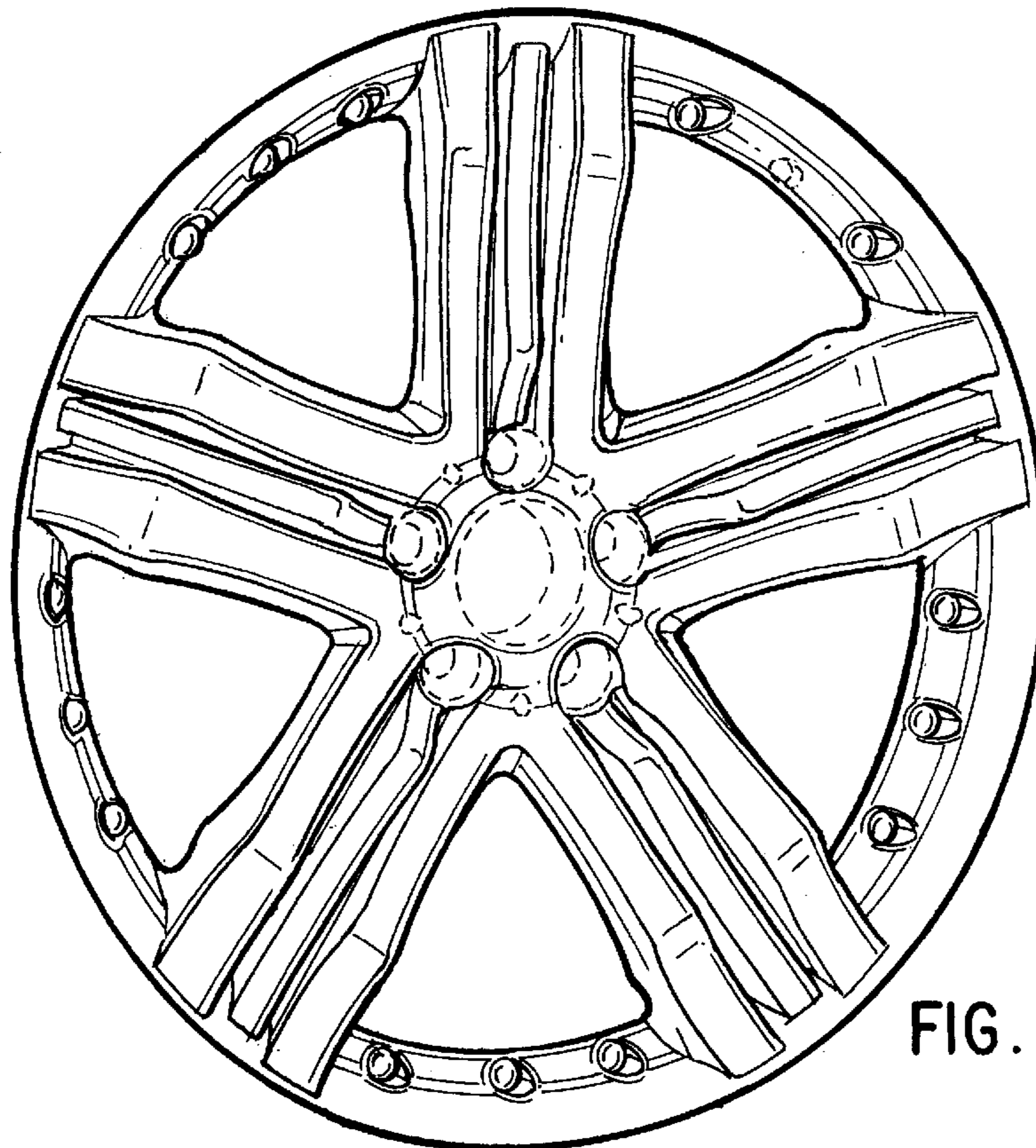


FIG. 4