



US00D524215S

(12) **United States Design Patent**
Guevara

(10) **Patent No.:** **US D524,215 S**

(45) **Date of Patent:** **** Jul. 4, 2006**

(54) **SIX SPOKE ALLOY WHEEL**

D500,006 S * 12/2004 Cahyono D12/211
D501,440 S * 2/2005 Pfeiffer D12/211

(76) Inventor: **Ricardo S. Guevara**, 121 Express St.,
Plainview, NY (US) 11803

* cited by examiner

(**) Term: **14 Years**

Primary Examiner—Stacia Cadmus

(74) *Attorney, Agent, or Firm*—Collard & Roe, P.C.

(21) Appl. No.: **29/226,023**

(57) **CLAIM**

(22) Filed: **Mar. 23, 2005**

The ornamental design for a six spoke alloy wheel, as shown and described.

(51) **LOC (8) Cl.** **12-16**

(52) **U.S. Cl.** **D12/211**

(58) **Field of Classification Search** D12/204–213;
301/37.101, 64.101, 65

See application file for complete search history.

DESCRIPTION

FIG. 1 shows a front perspective view of a six spoke alloy wheel;

FIG. 2 shows a front-side view of a six spoke alloy wheel; and,

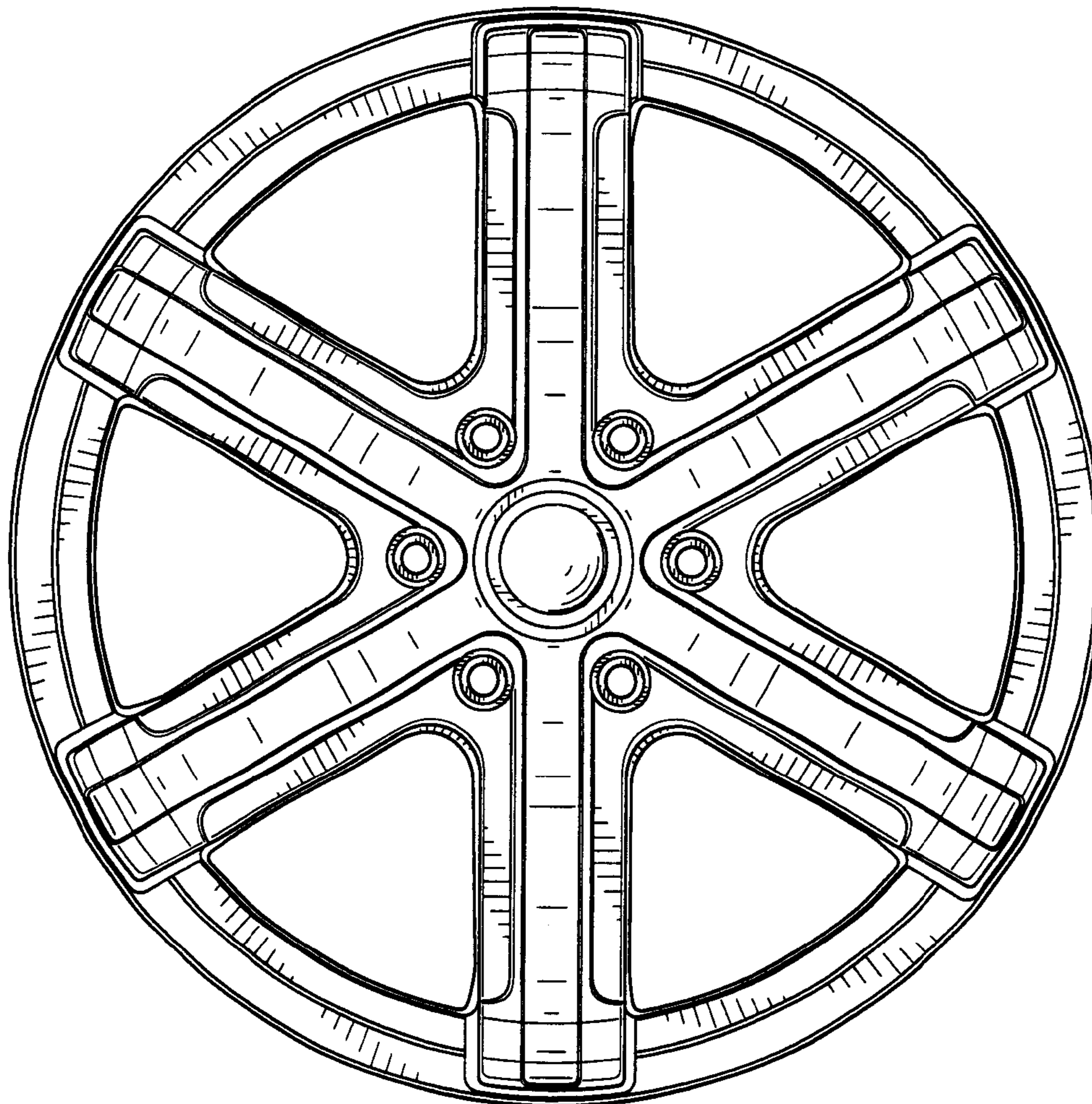
FIG. 3 shows a side view of a six spoke alloy wheel shown in FIGS. 1 and 2 with the opposite side being identical as the wheel is symmetrical.

(56) **References Cited**

U.S. PATENT DOCUMENTS

D497,133 S * 10/2004 Cheng D12/209
D498,195 S * 11/2004 Guevara D12/211
D498,725 S * 11/2004 Suciu D12/211
D500,003 S * 12/2004 Guevara D12/211

1 Claim, 3 Drawing Sheets



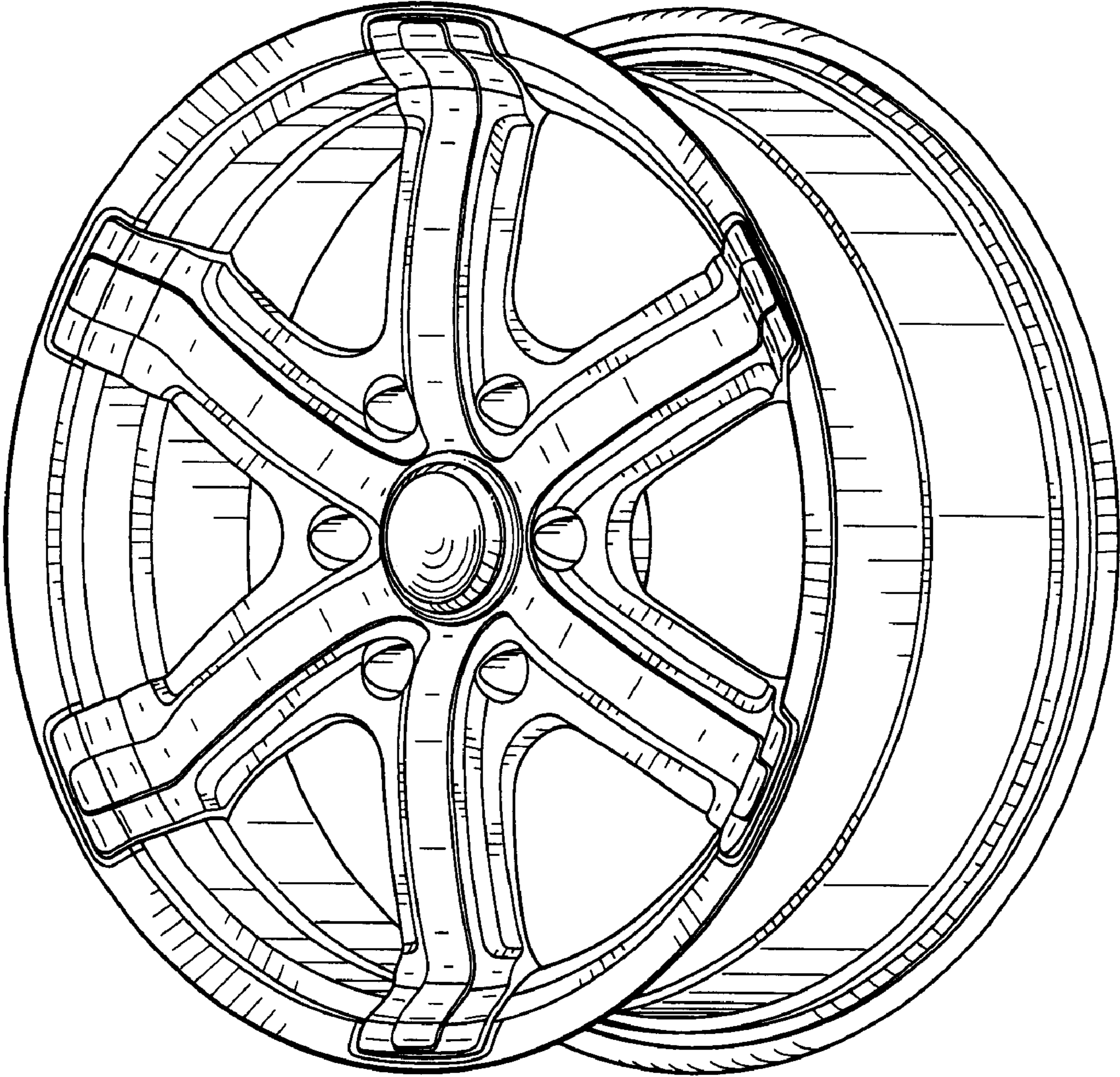


FIG. 1

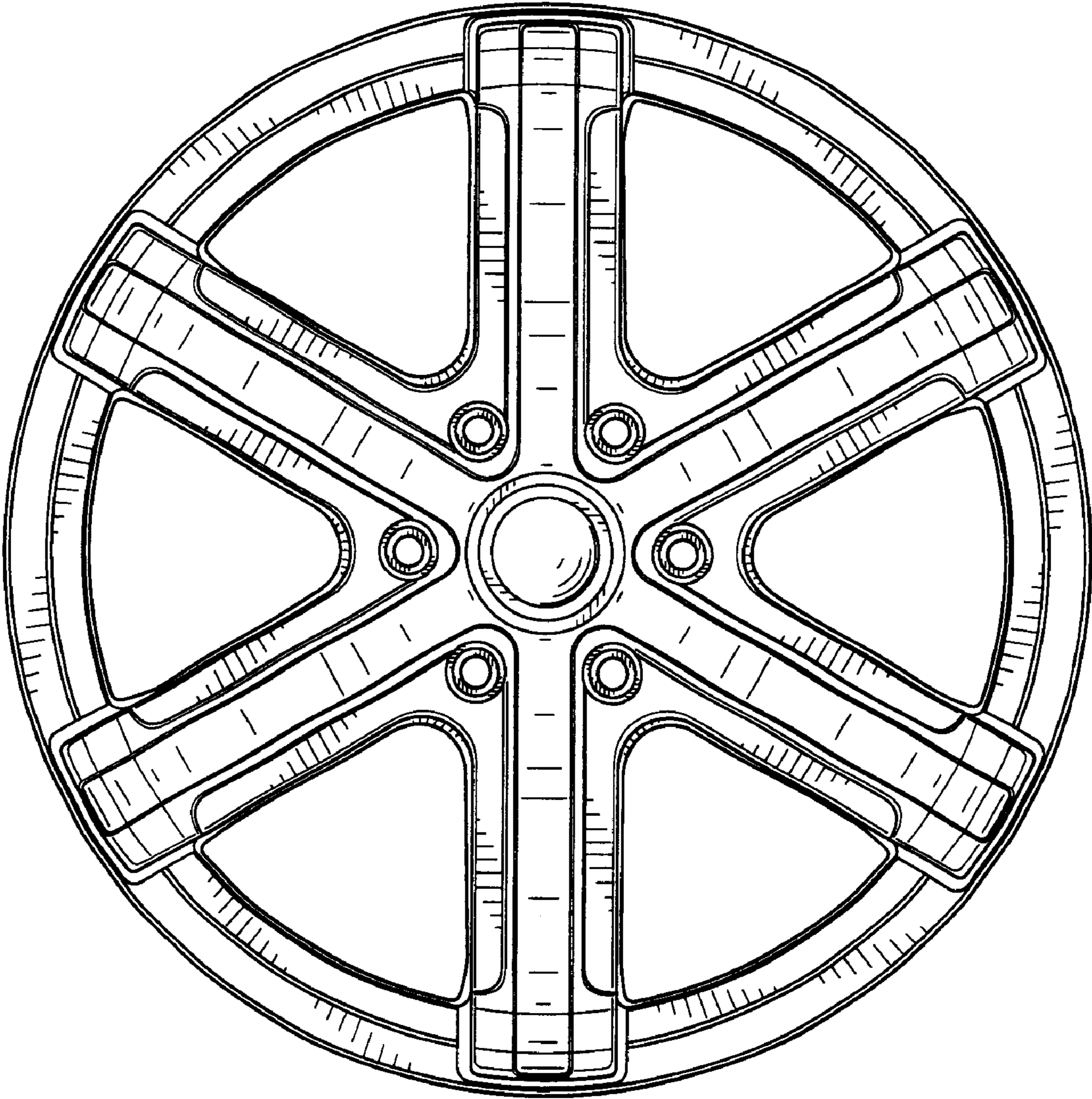


FIG. 2

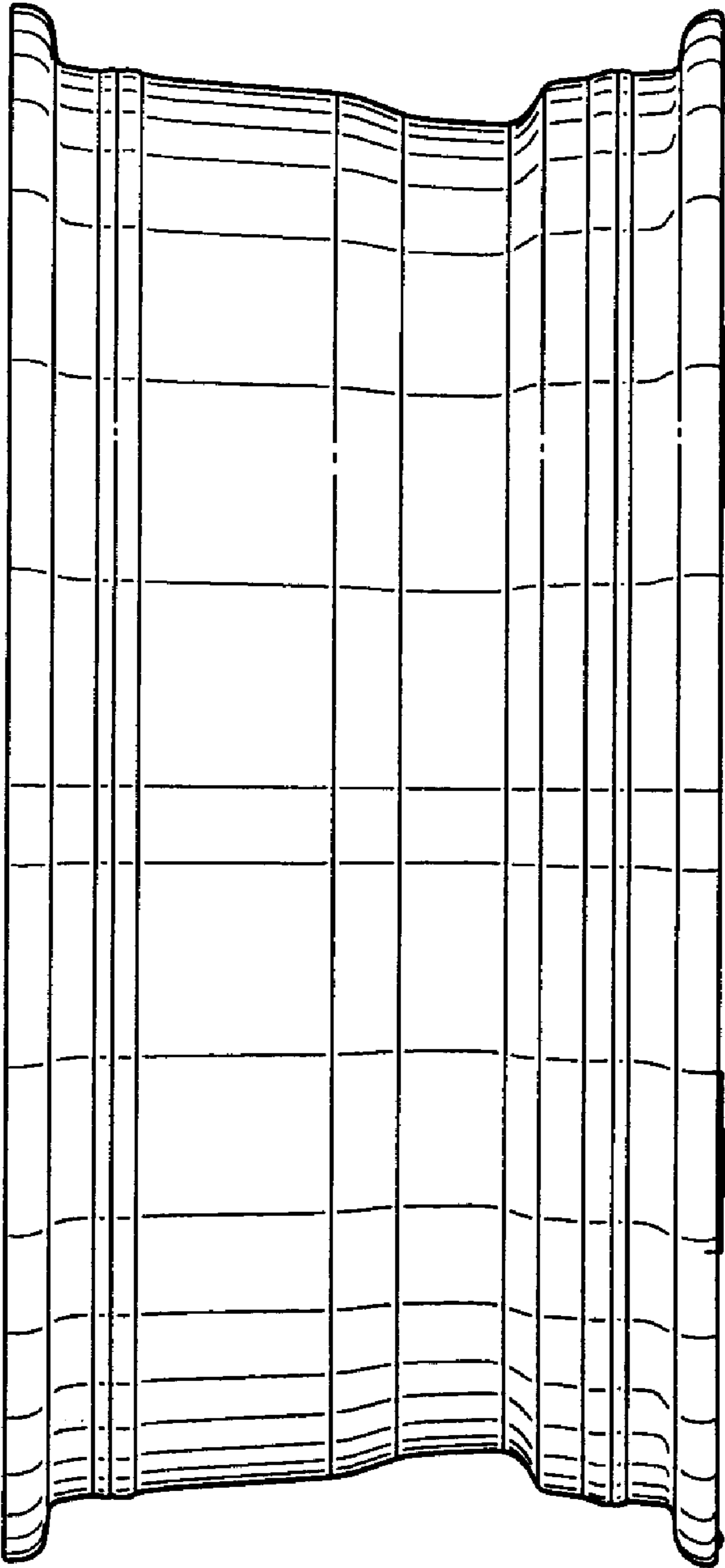


FIG. 3