



US00D524214S

(12) **United States Design Patent**
Pfeiffer et al.

(10) **Patent No.:** **US D524,214 S**
(45) **Date of Patent:** **** Jul. 4, 2006**

(54) **FRONT FACE OF A VEHICLE WHEEL**

(75) Inventors: **Peter Pfeiffer**, Boeblingen (DE);
Gerhard Honer, Weil der Stadt (DE);
Frank Pfisterer, Weil der Stadt (DE)

(73) Assignee: **DaimlerChrysler AG**, Stuttgart (DE)

(**) Term: **14 Years**

(21) Appl. No.: **29/166,193**

(22) Filed: **Aug. 26, 2002**

(30) **Foreign Application Priority Data**

Feb. 25, 2002 (DE) 4 02 01 597

(51) **LOC (8) Cl.** **12-16**

(52) **U.S. Cl.** **D12/211**

(58) **Field of Classification Search** D12/204-213;
301/37.101, 64.101, 65
See application file for complete search history.

(56) **References Cited**

U.S. PATENT DOCUMENTS

D208,543 S	*	9/1967	Halibrand	D12/211
D236,975 S	*	9/1975	May	D12/209
D409,968 S	*	5/1999	Goplen	D12/211
D421,590 S	*	3/2000	Sacco et al.	D12/209
D454,825 S	*	3/2002	Amatino	D12/211

D466,466 S	*	12/2002	Laengerer	D12/211
D466,852 S	*	12/2002	Pfeiffer et al.	D12/211
D480,347 S	*	10/2003	Nemoto	D12/211
D481,344 S	*	10/2003	Mattin et al.	D12/211
D492,236 S	*	6/2004	Brown et al.	D12/211
D501,440 S	*	2/2005	Pfeiffer	D12/211
D506,173 S	*	6/2005	Pfeiffer	D12/211

* cited by examiner

Primary Examiner—Stacia Cadmus

(74) *Attorney, Agent, or Firm*—Crowell & Moring LLP

(57) **CLAIM**

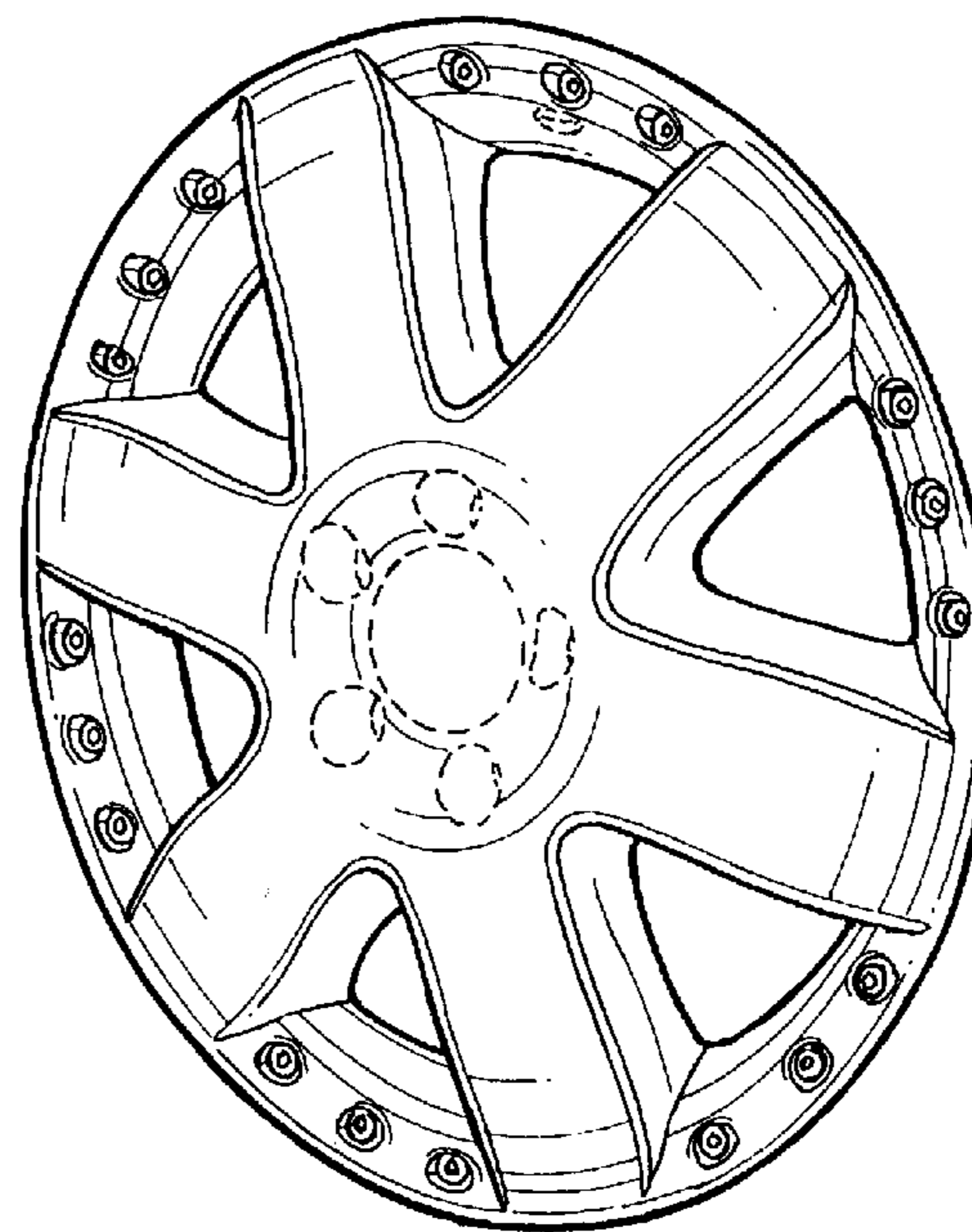
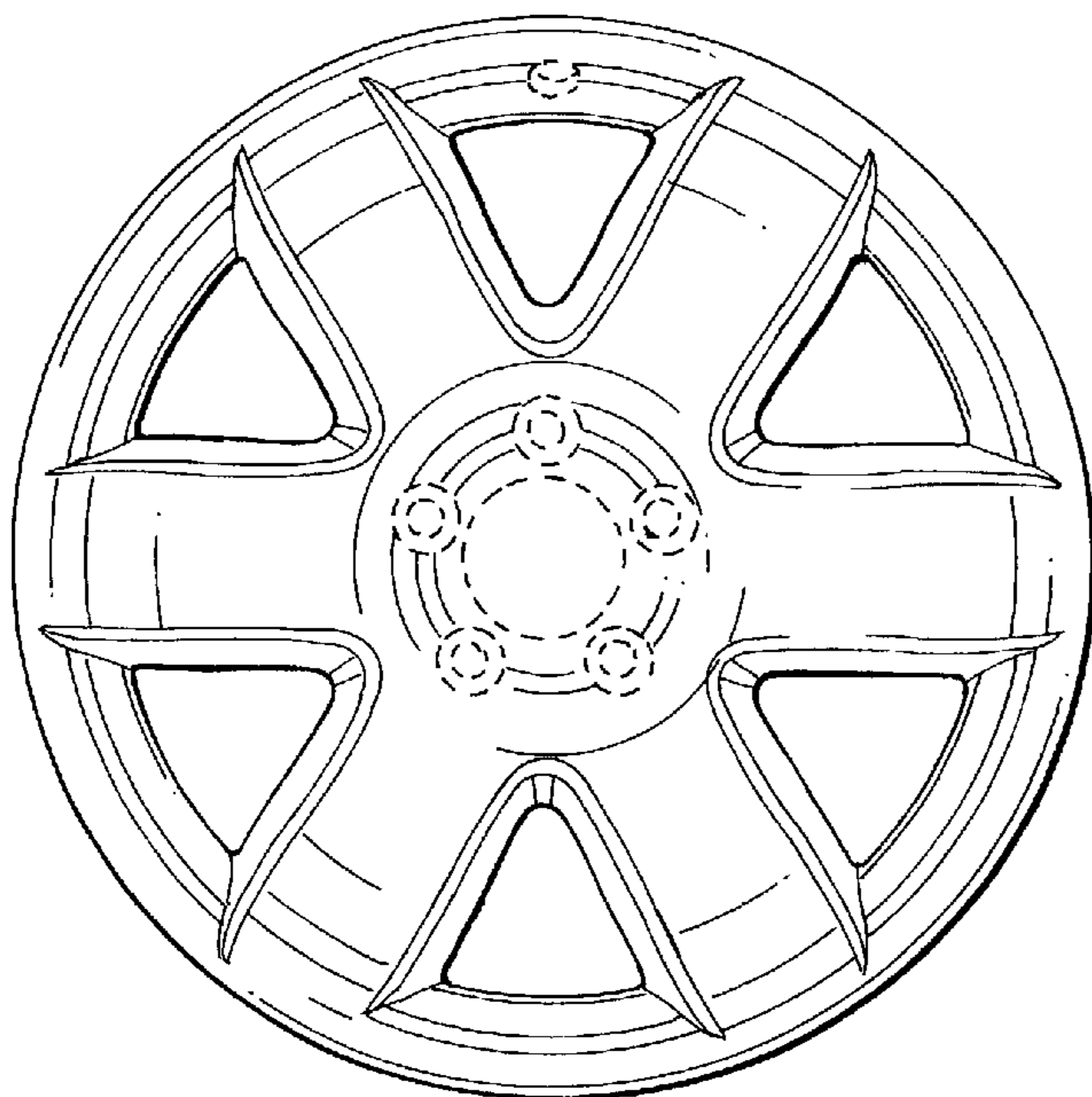
The ornamental design for a front face of a vehicle wheel, as shown and described.

DESCRIPTION

FIG. 1 is a front view of a first embodiment of a front face of a vehicle wheel according to our novel design; FIG. 2 is a perspective view of the first embodiment of the front face of a vehicle wheel according to our novel design; FIG. 3 is a front view of a second embodiment of the front face of a vehicle wheel according to our novel design; and, FIG. 4 is a perspective view of the second embodiment of the front face of a vehicle wheel according to our novel design.

The dash lines included depict environment and are not part of the claimed design.

1 Claim, 2 Drawing Sheets



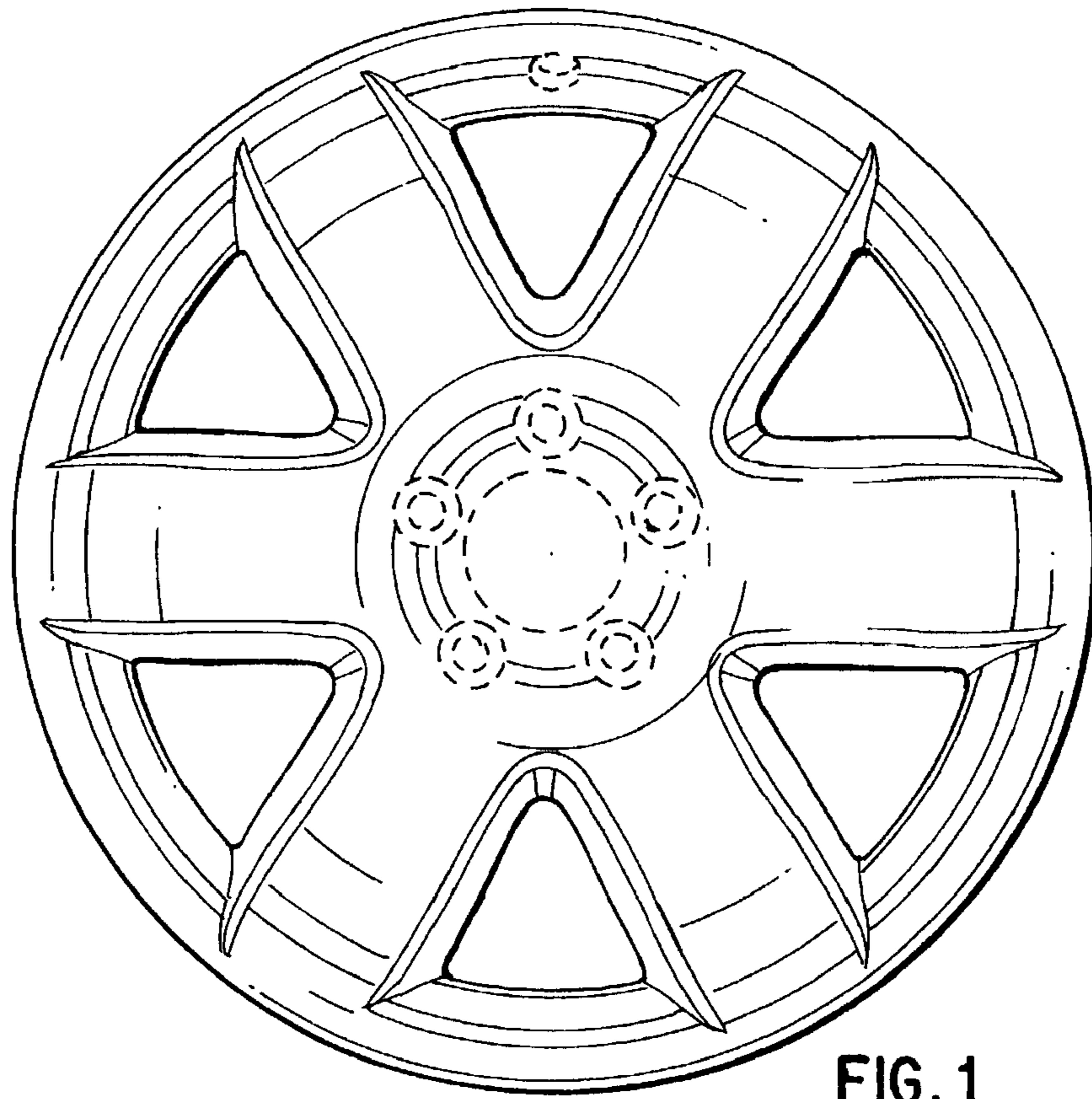


FIG. 1

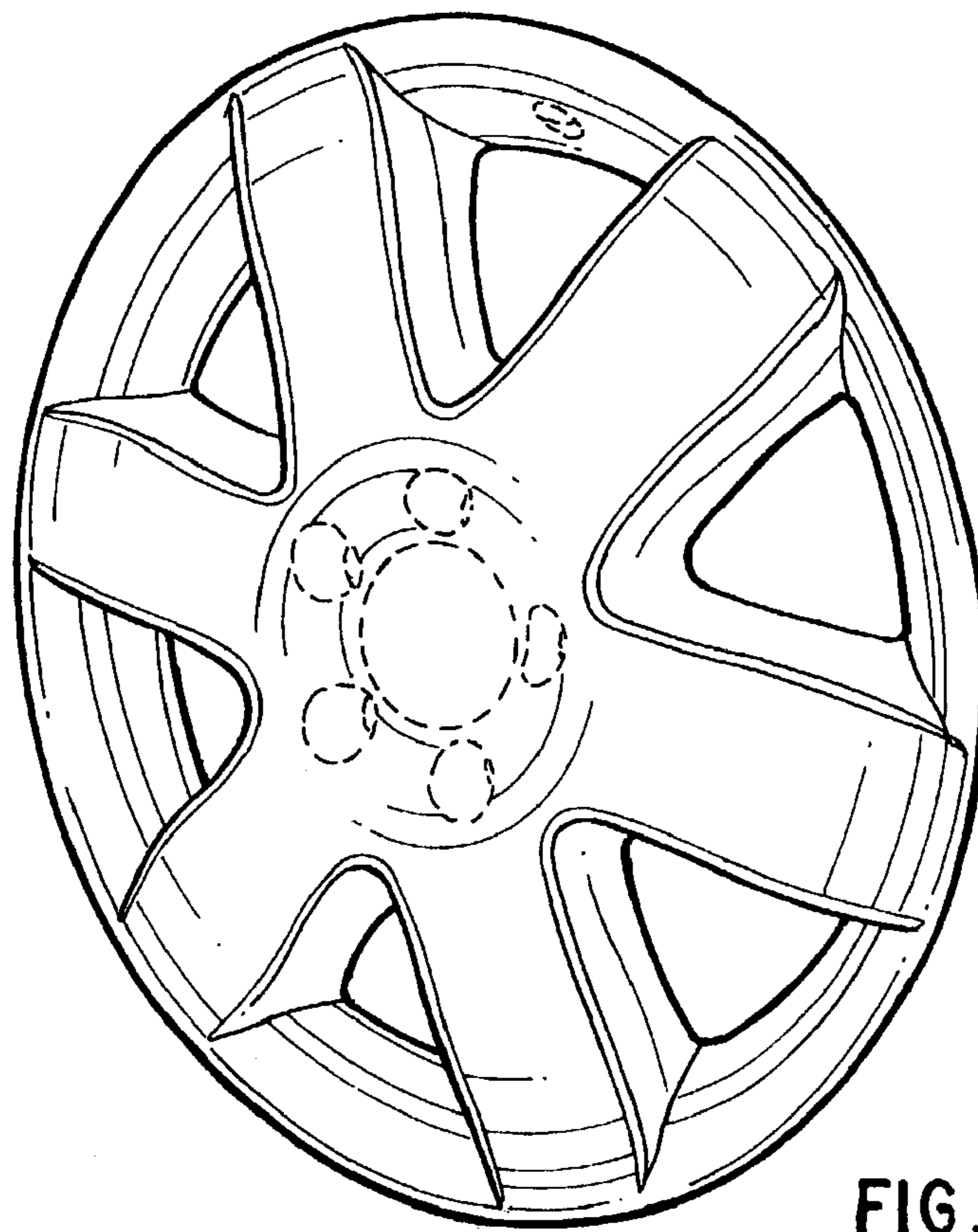


FIG. 2

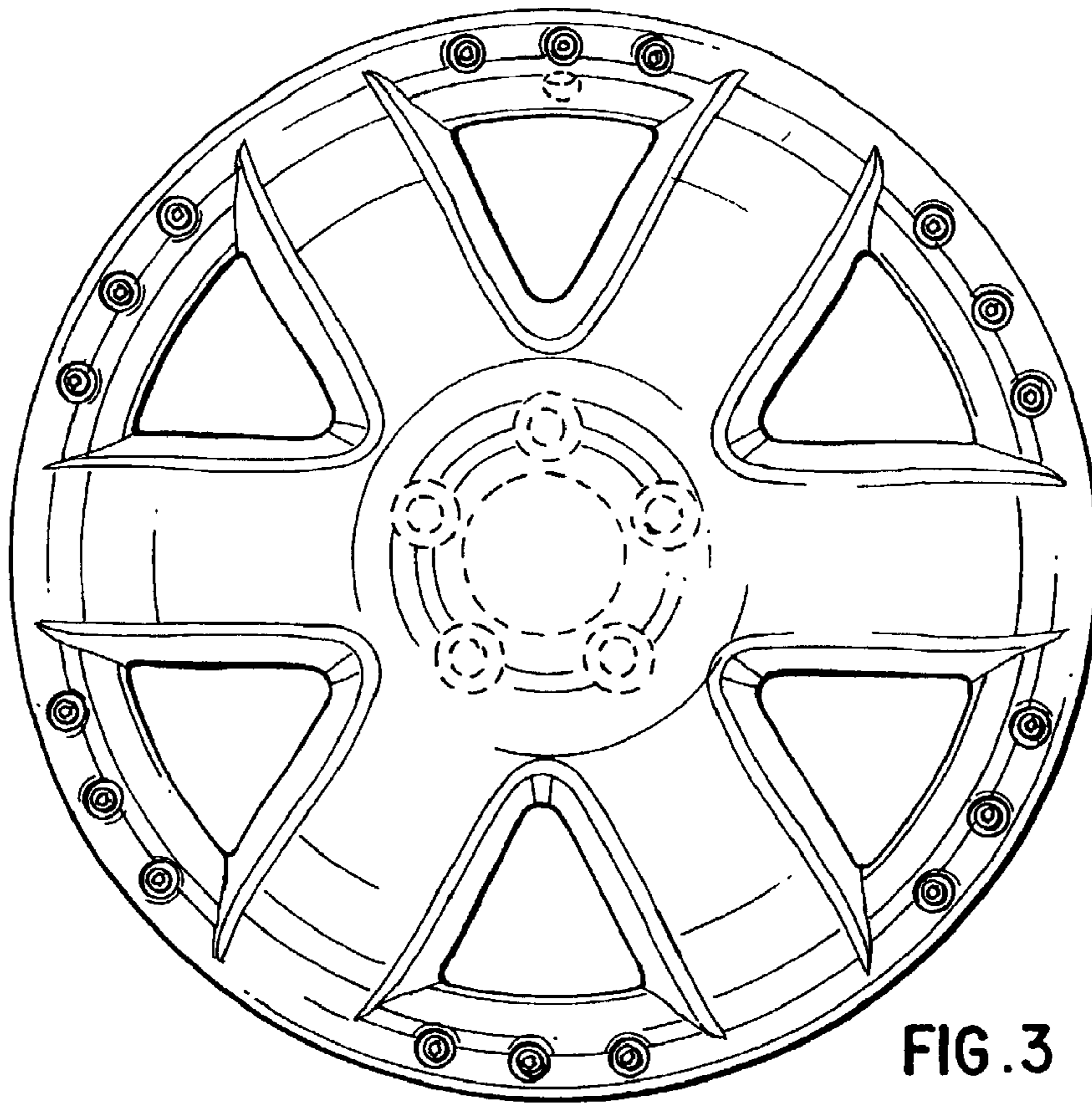


FIG. 3

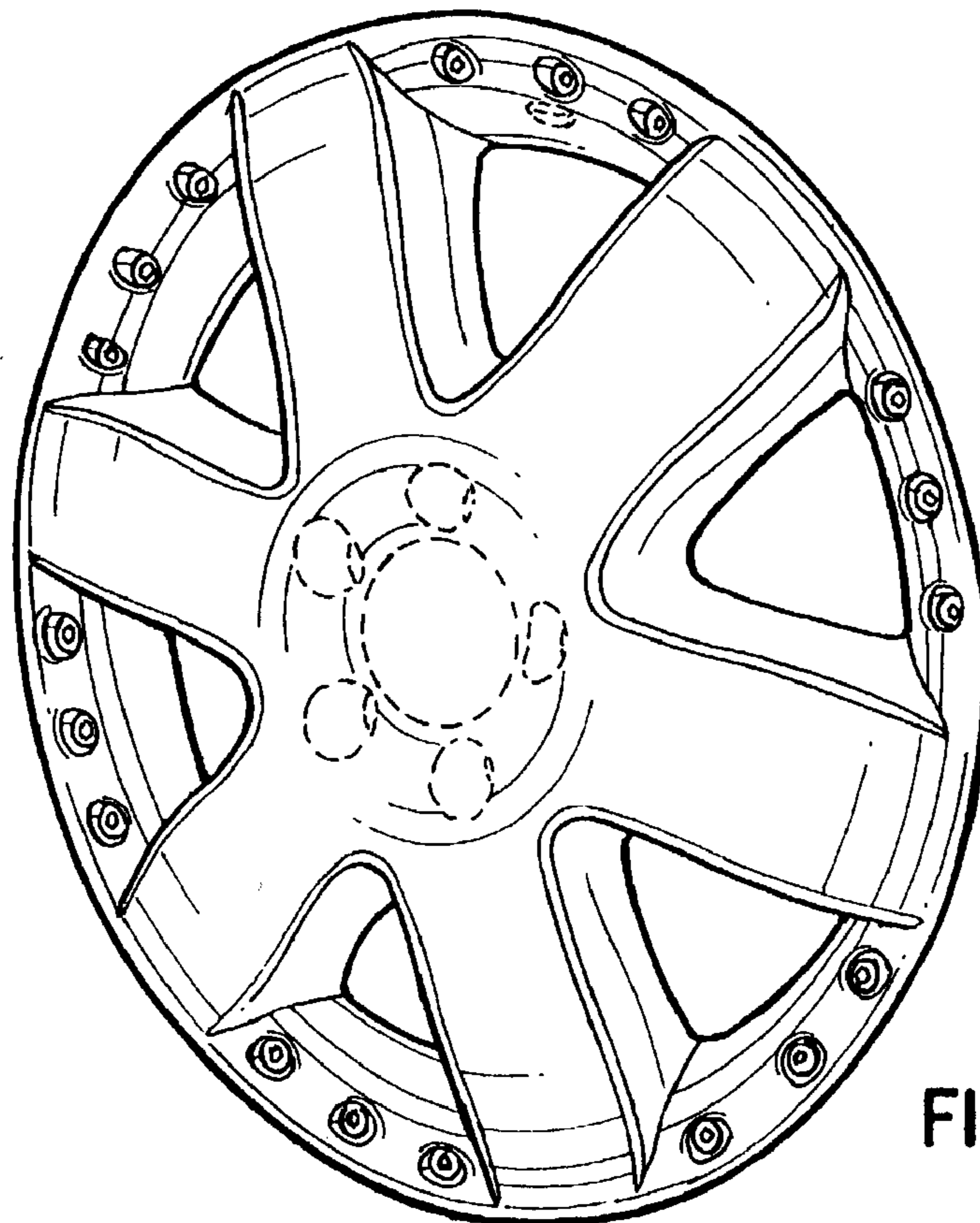


FIG. 4