



US00D524213S

(12) **United States Design Patent**  
**Szavits**

(10) **Patent No.:** **US D524,213 S**

(45) **Date of Patent:** **\*\* Jul. 4, 2006**

(54) **FRONT FACE OF A VEHICLE WHEEL**

(75) Inventor: **Michael Szavits**, Munich (DE)

(73) Assignee: **Bayerische Motoren Werke  
Aktiengesellschaft**, Munich (DE)

(\*\*) Term: **14 Years**

(21) Appl. No.: **29/224,580**

(22) Filed: **Mar. 4, 2005**

(30) **Foreign Application Priority Data**

Sep. 7, 2004 (DE) ..... 40405166

(51) **LOC (8) Cl.** ..... **12-16**

(52) **U.S. Cl.** ..... **D12/209**

(58) **Field of Classification Search** ..... D12/204-213;  
301/37.101, 64.101, 65

See application file for complete search history.

(56) **References Cited**

**U.S. PATENT DOCUMENTS**

D405,749 S	*	2/1999	Kulla	.....	D12/211
D410,617 S	*	6/1999	Hussaini et al.	.....	D12/209
D417,646 S	*	12/1999	Baumgartner	.....	D12/211
D419,946 S	*	2/2000	Goplen	.....	D12/211
D420,320 S	*	2/2000	Khoury	.....	D12/209
D433,374 S	*	11/2000	Wang	.....	D12/209

D446,762 S	*	8/2001	Hussaini et al.	.....	D12/209
D454,527 S	*	3/2002	Bhambra	.....	D12/209
D457,478 S	*	5/2002	Minamisawa	.....	D12/211
D485,524 S	*	1/2004	Bhambra	.....	D12/209
D487,881 S	*	3/2004	Laengerer	.....	D12/209
D488,420 S	*	4/2004	Murkett et al.	.....	D12/209
D506,428 S	*	6/2005	Hussaini et al.	.....	D12/209

\* cited by examiner

*Primary Examiner*—Stacia Cadmus

(74) *Attorney, Agent, or Firm*—Crowell & Moring LLP

(57) **CLAIM**

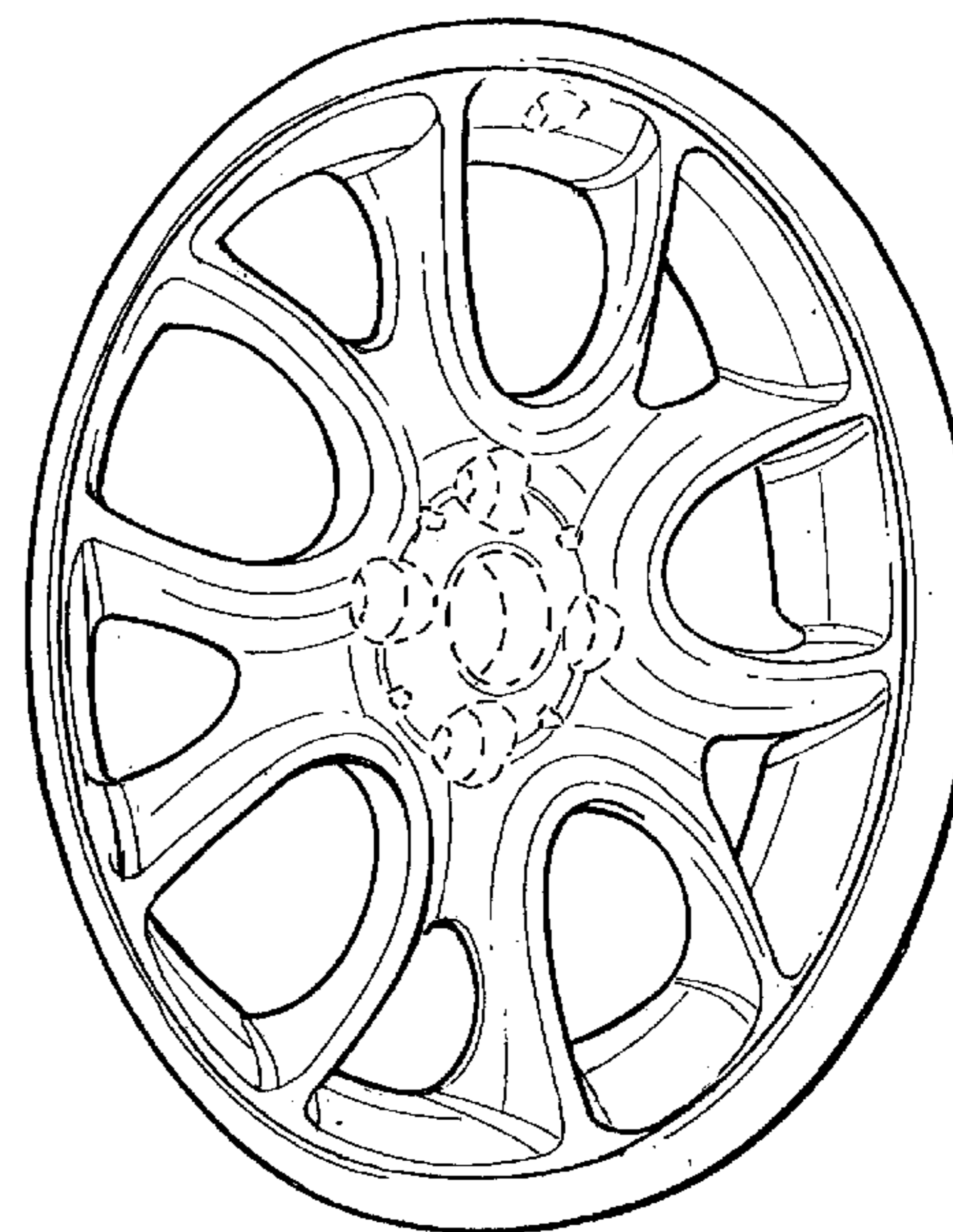
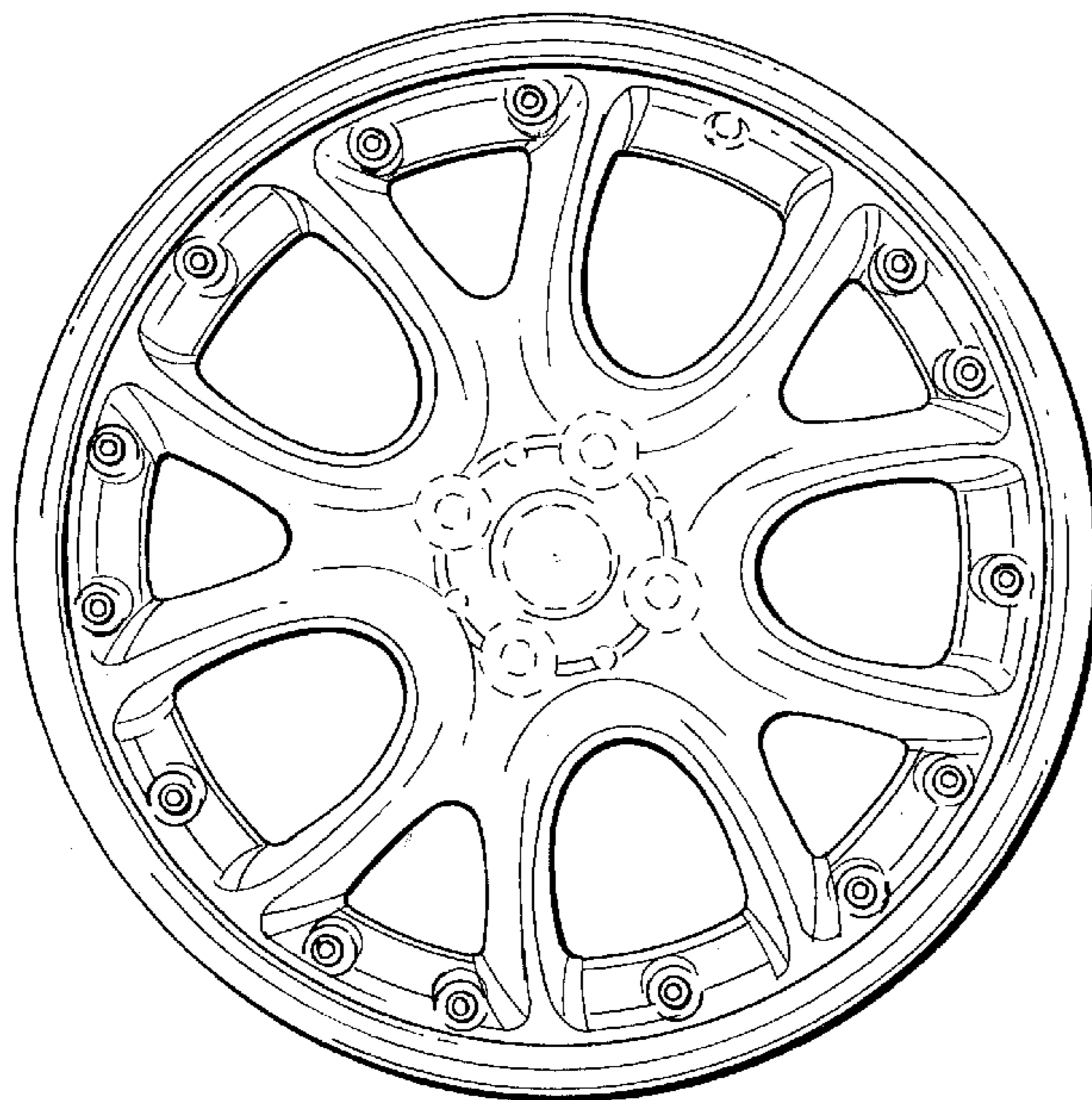
The ornamental design for a front face of a vehicle wheel, as shown and described.

**DESCRIPTION**

FIG. 1 is a front view of a first embodiment of a front face of a vehicle wheel according to my novel design; FIG. 2 is a perspective view of the first embodiment of the front face of a vehicle wheel according to my novel design; FIG. 3 is a front view of a second embodiment of the front face of a vehicle wheel according to my novel design; and, FIG. 4 is a perspective view of the second embodiment of the front face of a vehicle wheel according to my novel design.

The broken lines are for illustrative purposes only and form no part of the claimed design.

**1 Claim, 2 Drawing Sheets**



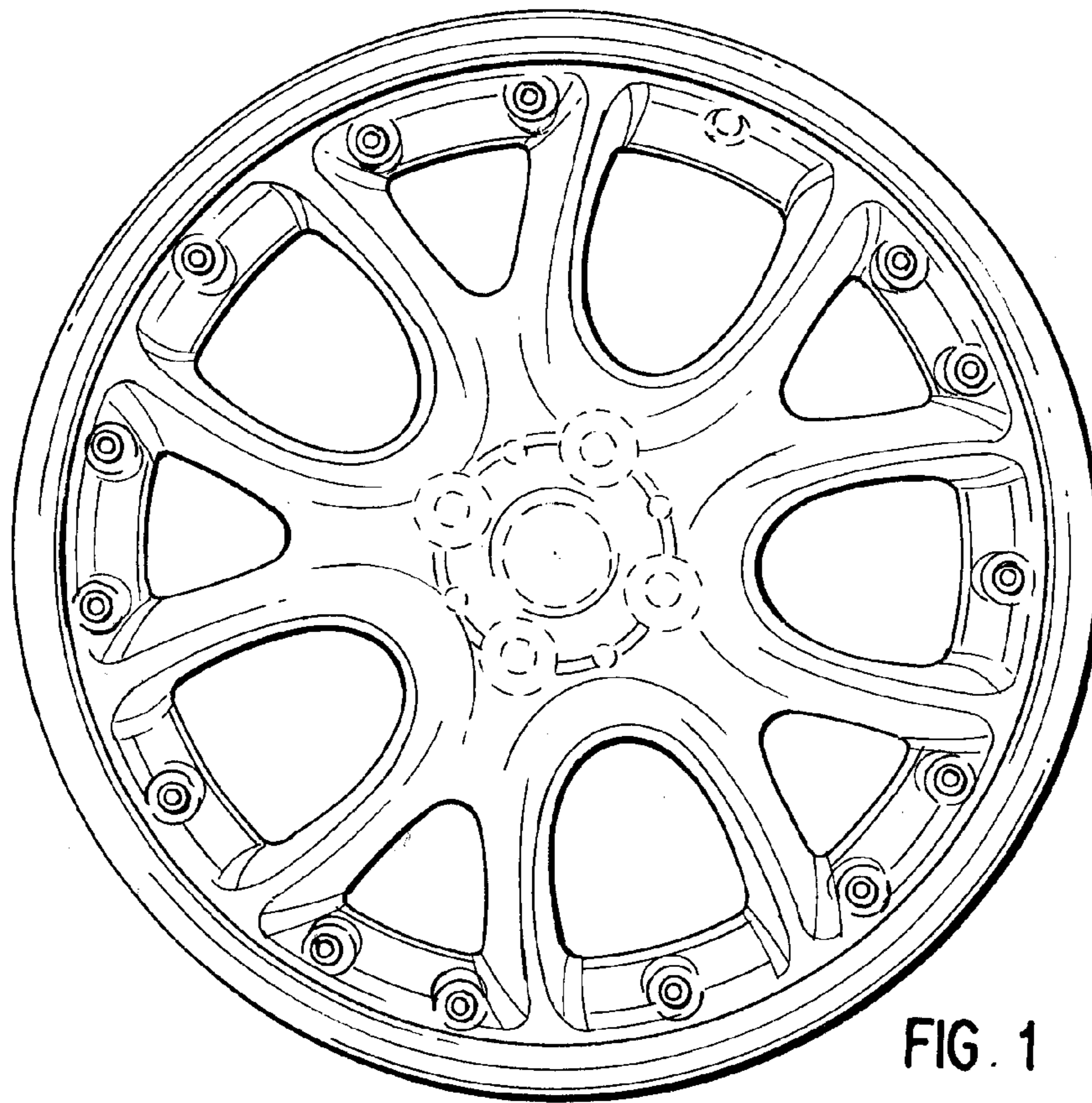


FIG. 1

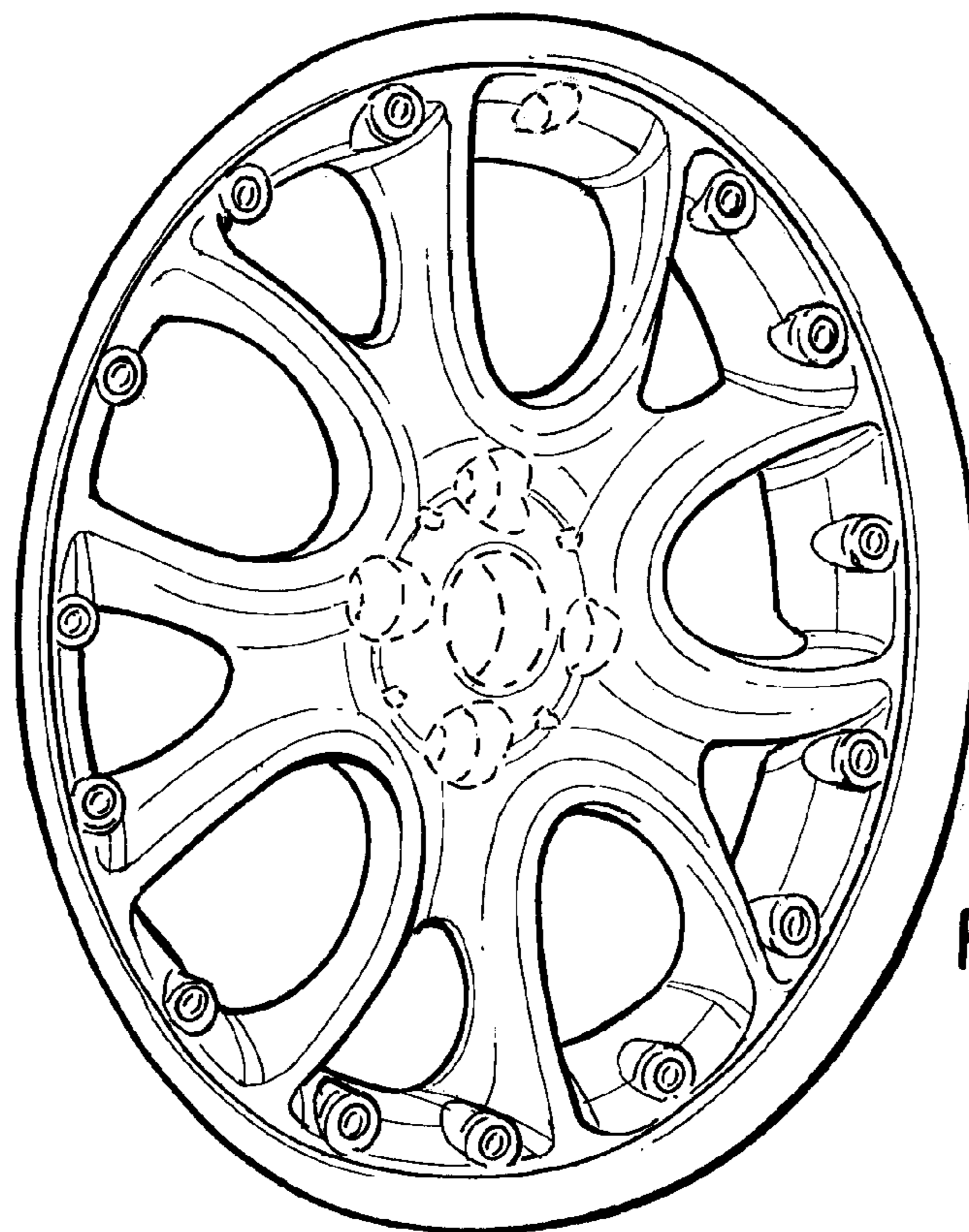


FIG. 2

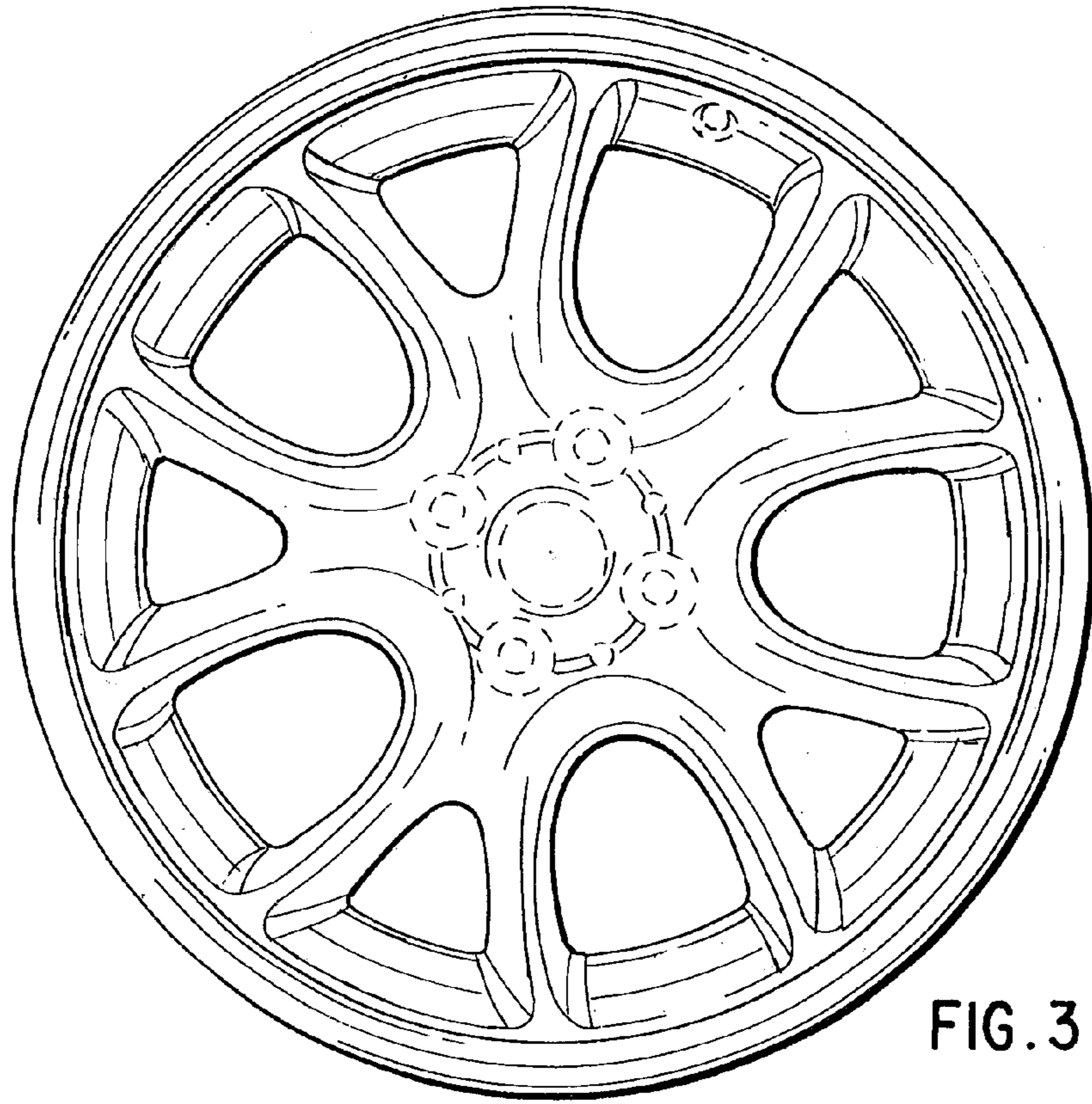


FIG. 3

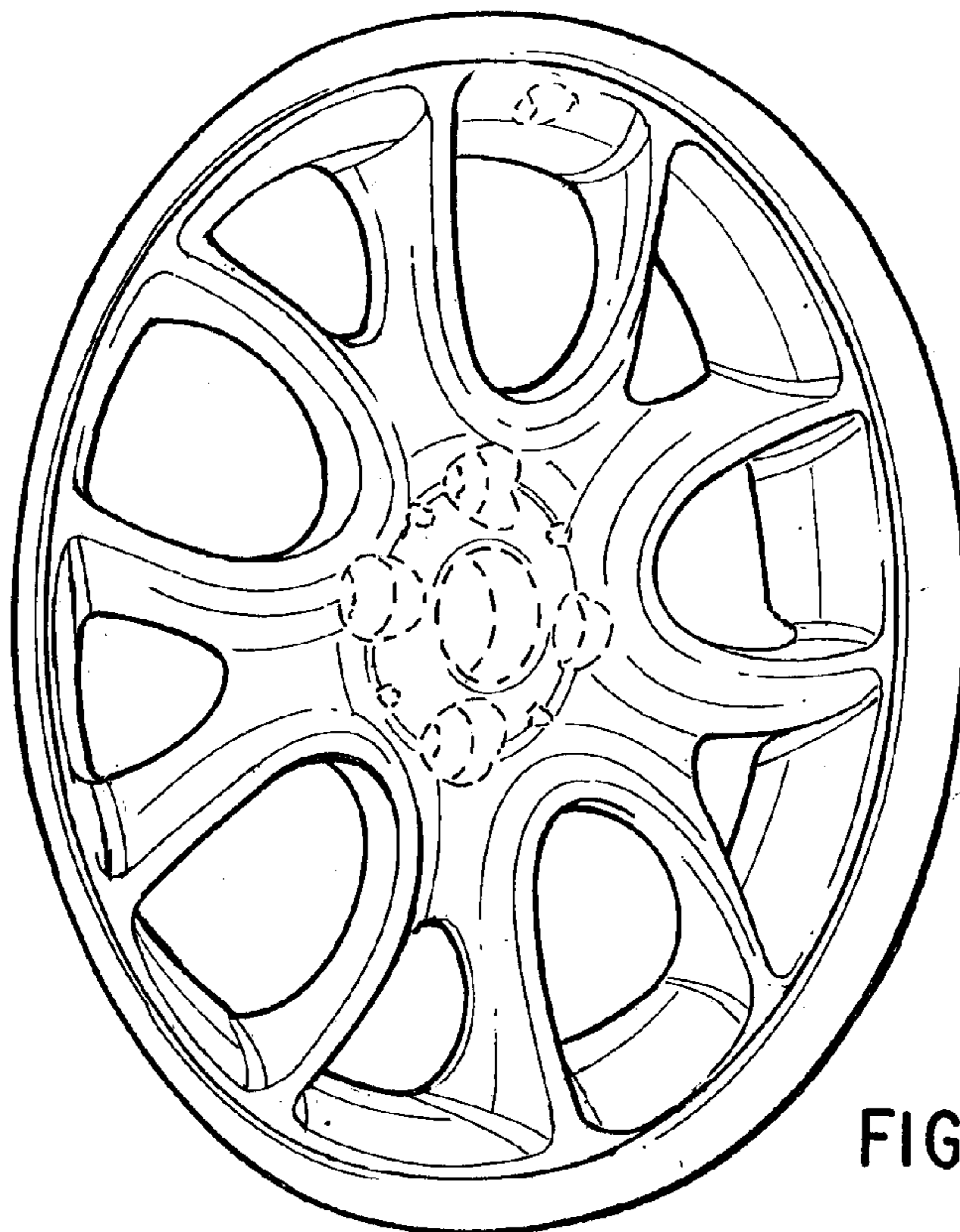


FIG. 4