



US00D524212S

(12) **United States Design Patent**
Phillips

(10) **Patent No.:** **US D524,212 S**

(45) **Date of Patent:** **** Jul. 4, 2006**

(54) **WHEEL**

(75) **Inventor:** **Thomas Evan Phillips**, San Jose, CA (US)

(73) **Assignee:** **SJCA Wheels, Incorporated**, San Jose, CA (US)

(**) **Term:** **14 Years**

(21) **Appl. No.:** **29/216,277**

(22) **Filed:** **Nov. 2, 2004**

(51) **LOC (8) Cl.** **12-16**

(52) **U.S. Cl.** **D12/209**

(58) **Field of Classification Search** D12/204–213;
301/37.101, 64.101, 65
See application file for complete search history.

D469,049 S	1/2003	Kataoka	D12/209
D469,728 S	2/2003	Kataoka	D12/209
D480,675 S	* 10/2003	Pfeiffer et al.	D12/211
D481,342 S	10/2003	Kang	D12/209
D481,343 S	10/2003	Kang	D12/209
D481,347 S	10/2003	Kang	D12/211
D481,348 S	10/2003	Kang	D12/211
D482,647 S	* 11/2003	Ledger et al.	D12/211
D495,648 S	9/2004	Kang	D12/209
D496,317 S	9/2004	Kataoka	D12/209
D497,583 S	* 10/2004	Walbey, Jr.	D12/209
D501,816 S	* 2/2005	Bernoni	D12/209
D505,374 S	* 5/2005	Aleman	D12/209
D510,309 S	* 10/2005	Cheng	D12/211

* cited by examiner

Primary Examiner—Stacia Cadmus

(74) *Attorney, Agent, or Firm*—Park Law Firm; John K. Park

(56) **References Cited**

U.S. PATENT DOCUMENTS

D401,899 S	* 12/1998	Pfeiffer	D12/209
D403,289 S	12/1998	Watanabe	D12/209
D407,681 S	* 4/1999	Sacco et al.	D12/209
D418,794 S	1/2000	Chung	D12/209
D423,442 S	4/2000	Hussaini et al.	D12/209
D427,131 S	* 6/2000	Wang	D12/211
D433,373 S	11/2000	Hussaini et al.	D12/209
D433,375 S	11/2000	Fitzgerald	D12/209
D451,066 S	* 11/2001	Pfeiffer et al.	D12/211
D453,492 S	* 2/2002	Laengerer	D12/209

(57) **CLAIM**

The ornamental design for a wheel, as shown and described.

DESCRIPTION

FIG. 1 is a perspective view of a wheel showing my new design; and,

FIG. 2 is a front elevational view of FIG. 1.

The broken line showing of environment is for illustrative purposes only and forms no part of the claimed design.

1 Claim, 2 Drawing Sheets

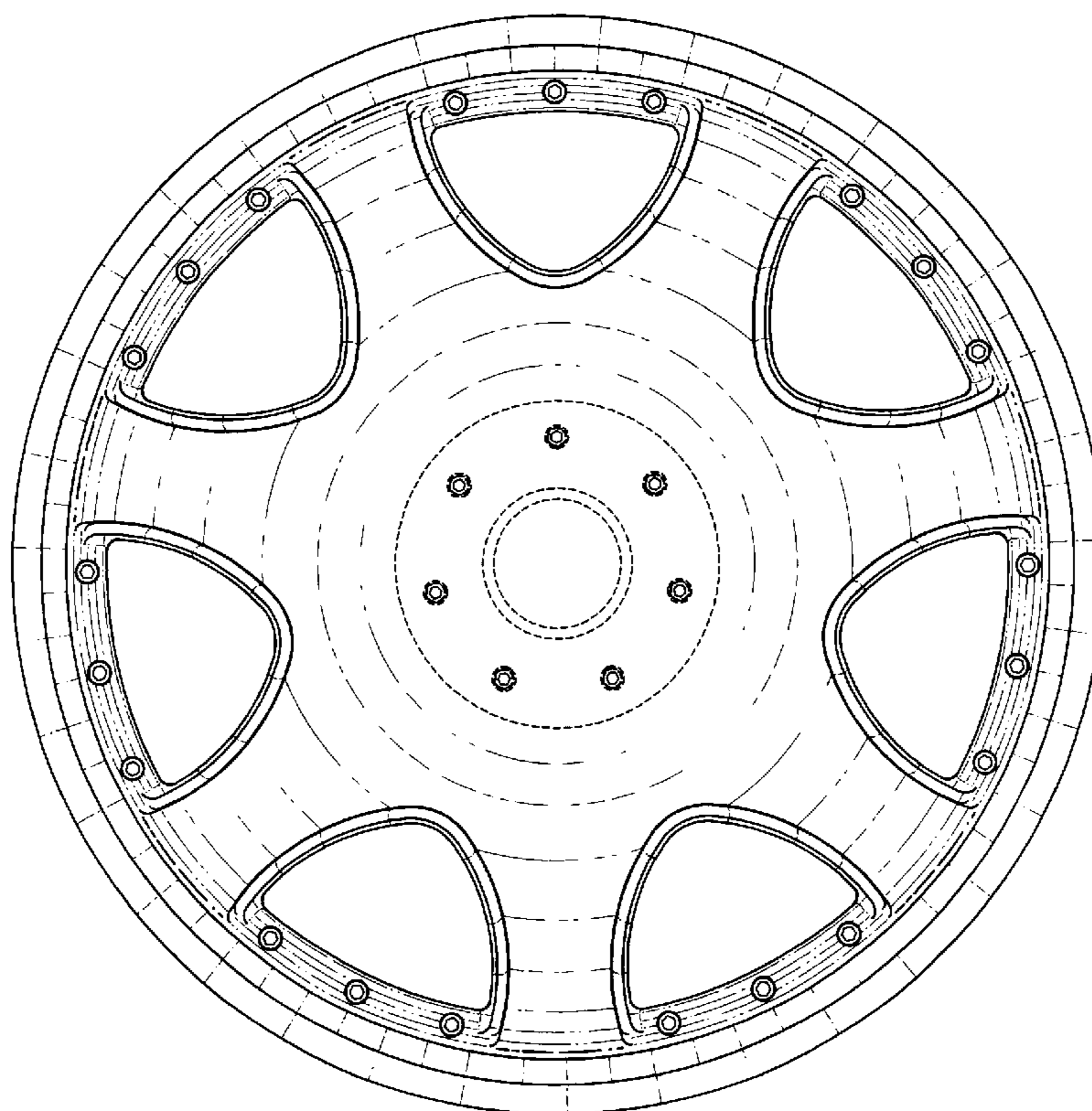


FIG. 1

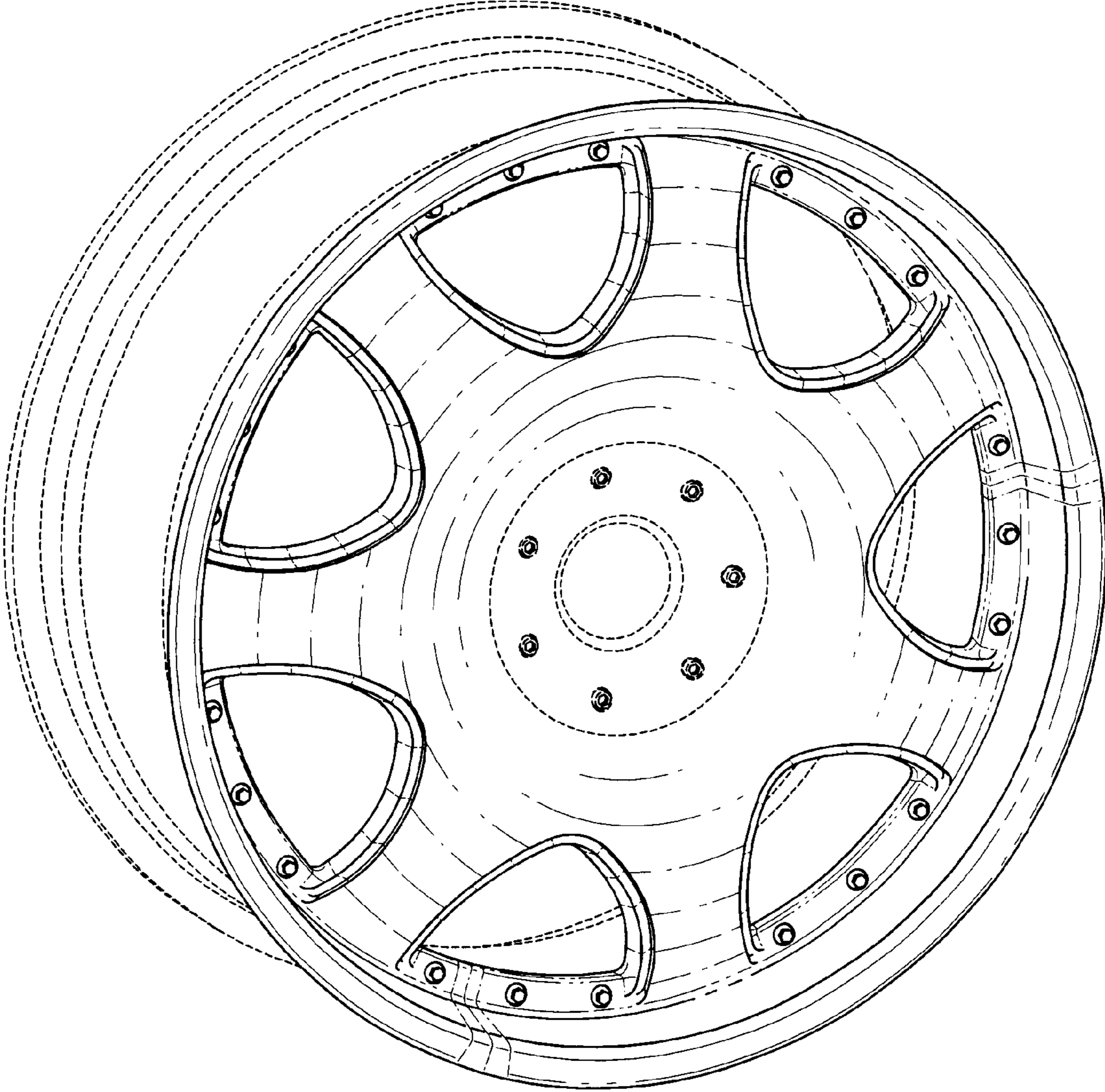


FIG. 2

