

US00D524211S

(12) **United States Design Patent**
Tsuchiya

(10) **Patent No.:** **US D524,211 S**

(45) **Date of Patent:** **** Jul. 4, 2006**

(54) **AUTOMOBILE INTERIOR**

D480,571 S * 10/2003 Yu D6/356
D487,719 S * 3/2004 Powers D12/401

(75) Inventor: **Akino Tsuchiya**, Carlsbad, CA (US)

* cited by examiner

(73) Assignee: **DaimlerChrysler Corporation**, Auburn Hills, MI (US)

Primary Examiner—Stacia Cadmus

(74) *Attorney, Agent, or Firm*—Ralph E. Smith

(**) Term: **14 Years**

(57) **CLAIM**

(21) Appl. No.: **29/237,501**

The ornamental design for an automobile interior, as shown and described.

(22) Filed: **Sep. 1, 2005**

DESCRIPTION

(51) **LOC (8) Cl.** **12-08**

(52) **U.S. Cl.** **D12/195; D6/356**

(58) **Field of Classification Search** D12/195,
D12/401, 400; D6/356; 297/232–233, 94–95,
297/65.01, 487–488; 180/89.1, 89.11; 296/183.1,
296/24.3, 185.1, 37.1, 24.33, 37.6, 37.16,
296/190.01, 193.08

See application file for complete search history.

FIG. 1 is a right rear perspective view of an automobile interior showing my new design;
FIG. 2 is a left rear perspective view thereof;
FIG. 3 is a side downward perspective view thereof;
FIG. 4 is a side perspective view thereof;
FIG. 5 is a top plan view thereof;
FIG. 6 is a left rear perspective view of an automobile interior showing a second embodiment of my design;
FIG. 7 is a right rear perspective view of FIG. 6;
FIG. 8 is a side downward perspective view of FIG. 6;
FIG. 9 is a side perspective view of FIG. 6; and,
FIG. 10 is a top plan view of FIG. 6.

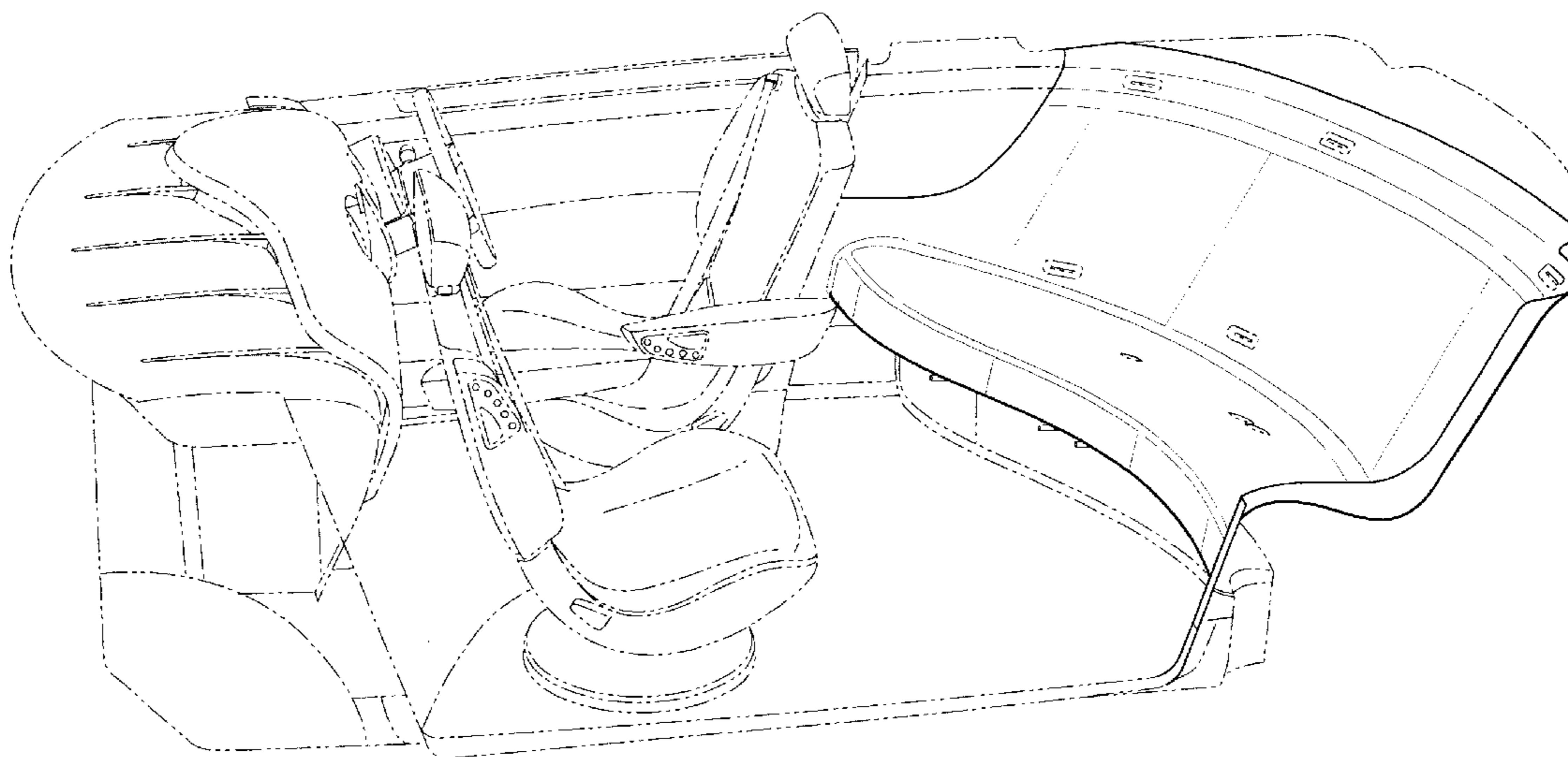
It will be understood that the dashed lines presented in the drawings are for illustration only, and do not form a part of the claimed design.

(56) **References Cited**

U.S. PATENT DOCUMENTS

D355,777 S * 2/1995 Emoto D6/356
D361,972 S * 9/1995 Ney et al. D12/195
D374,993 S * 10/1996 Emoto D6/356
D452,675 S * 1/2002 Alexander et al. D12/401
D479,497 S * 9/2003 Bailey D12/195
D480,569 S * 10/2003 Haney et al. D6/356

1 Claim, 10 Drawing Sheets



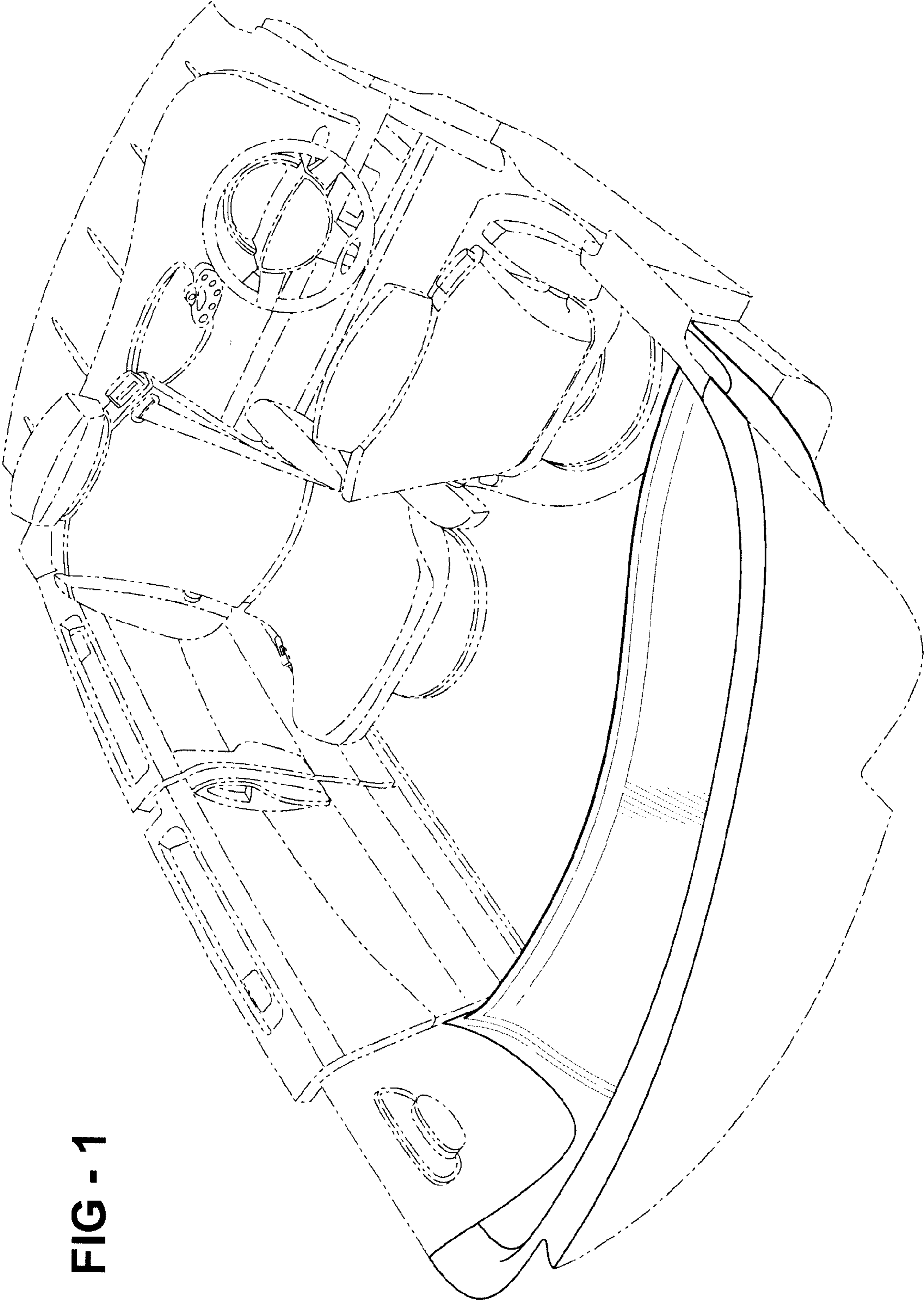
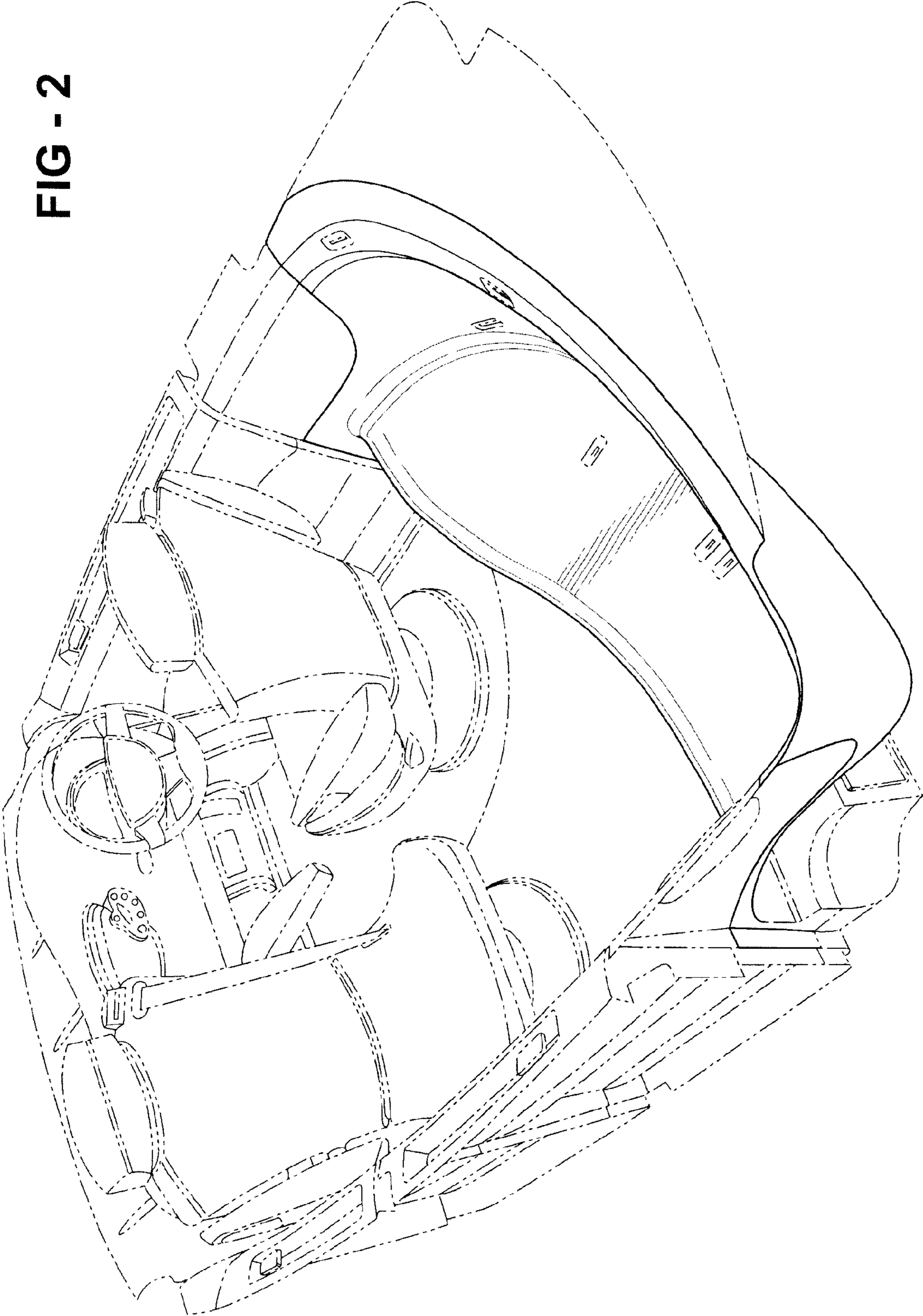


FIG - 1

FIG - 2



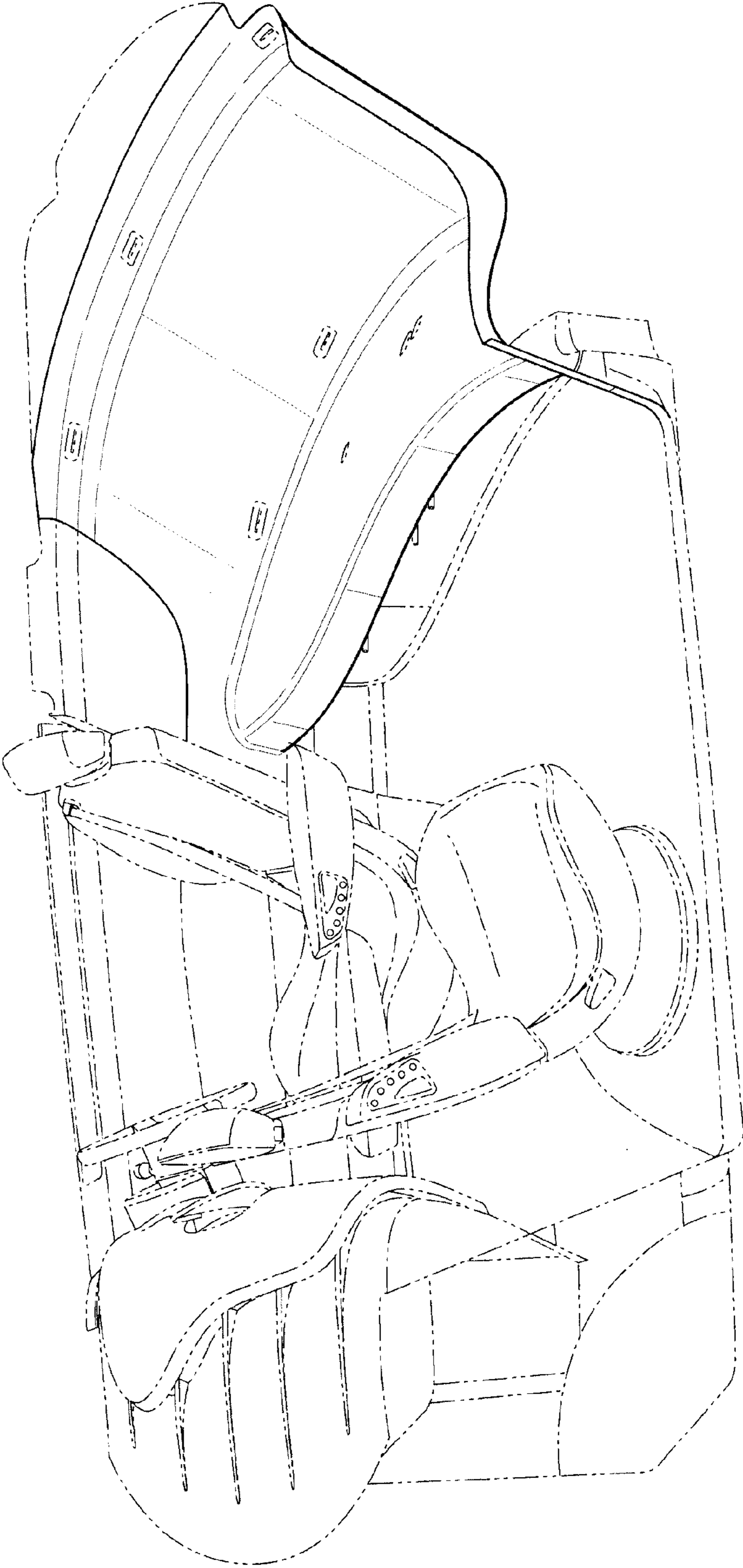
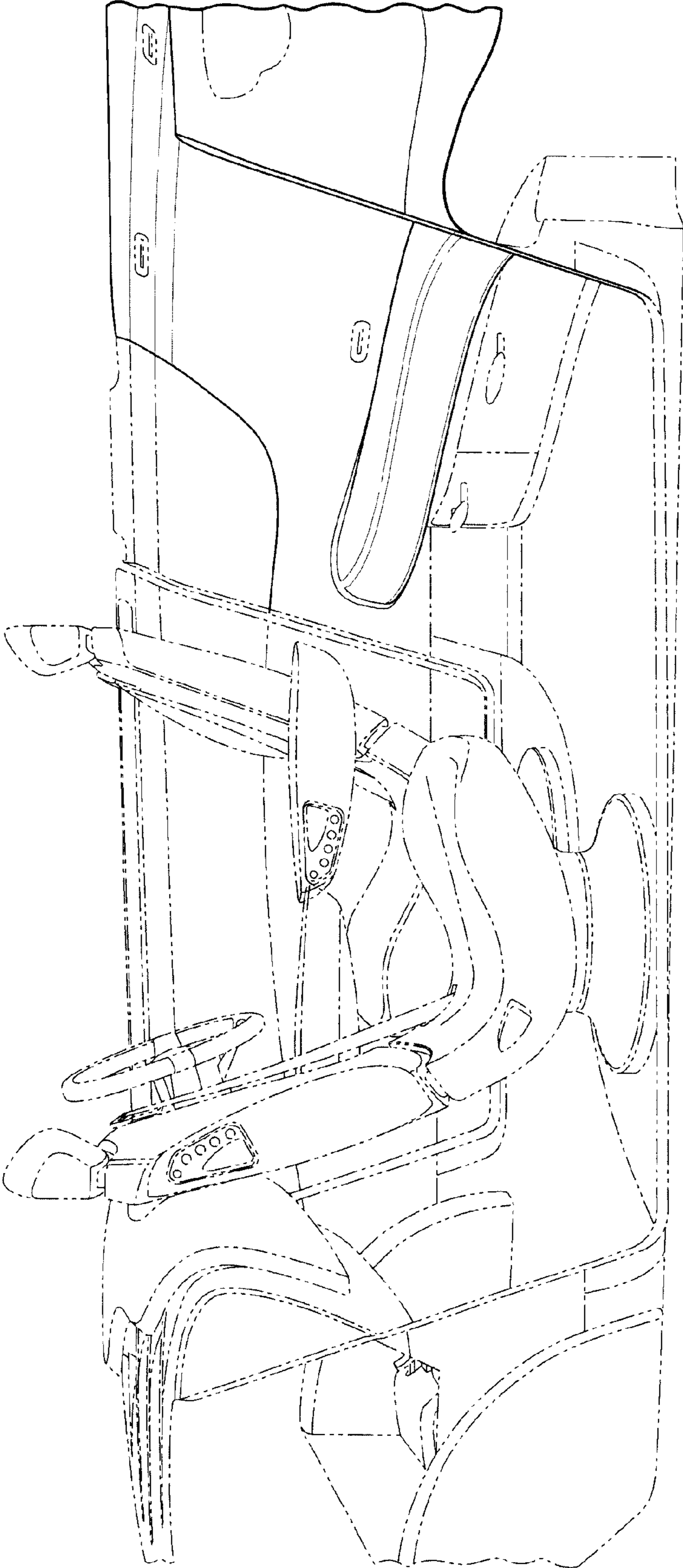


FIG - 3

FIG - 4



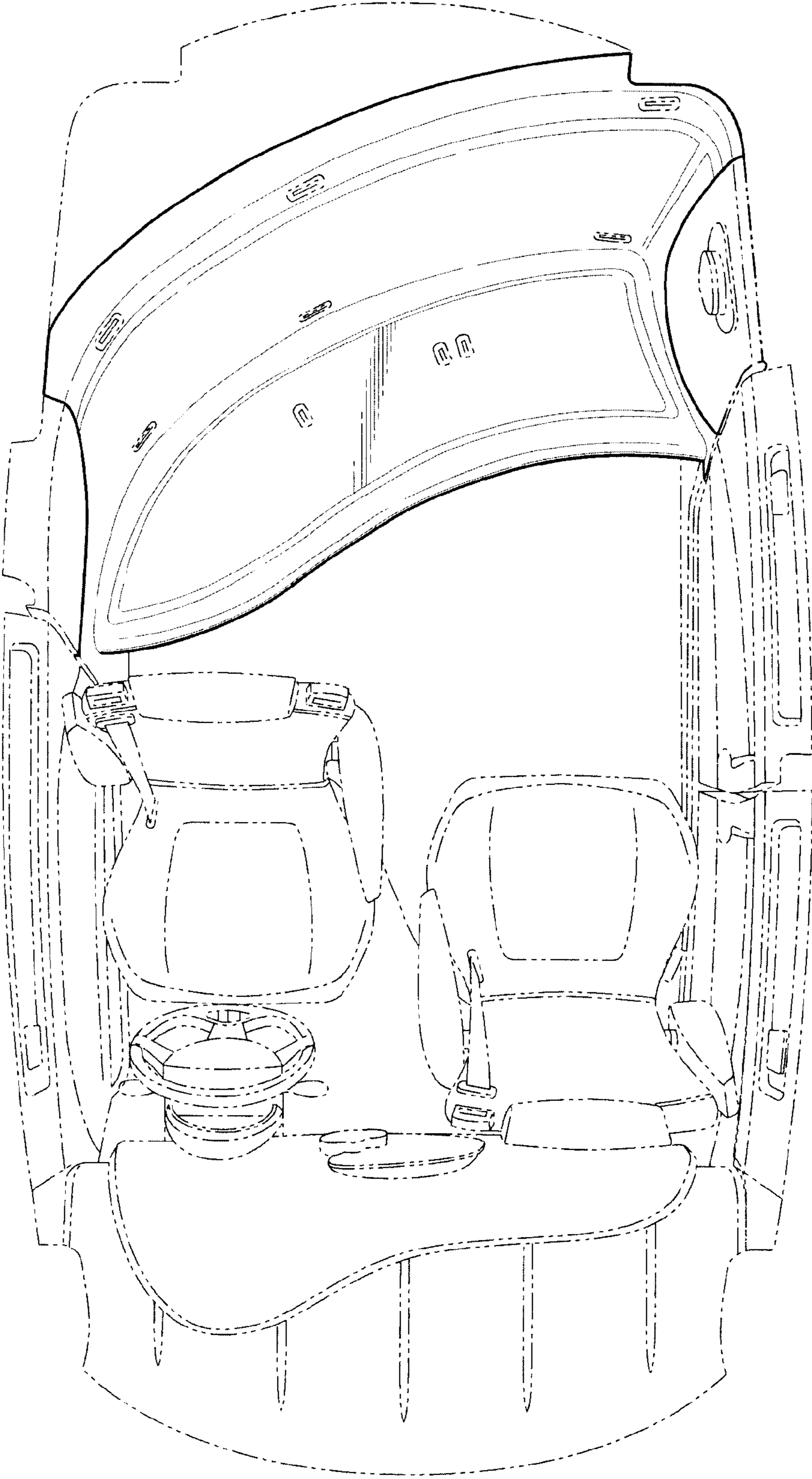
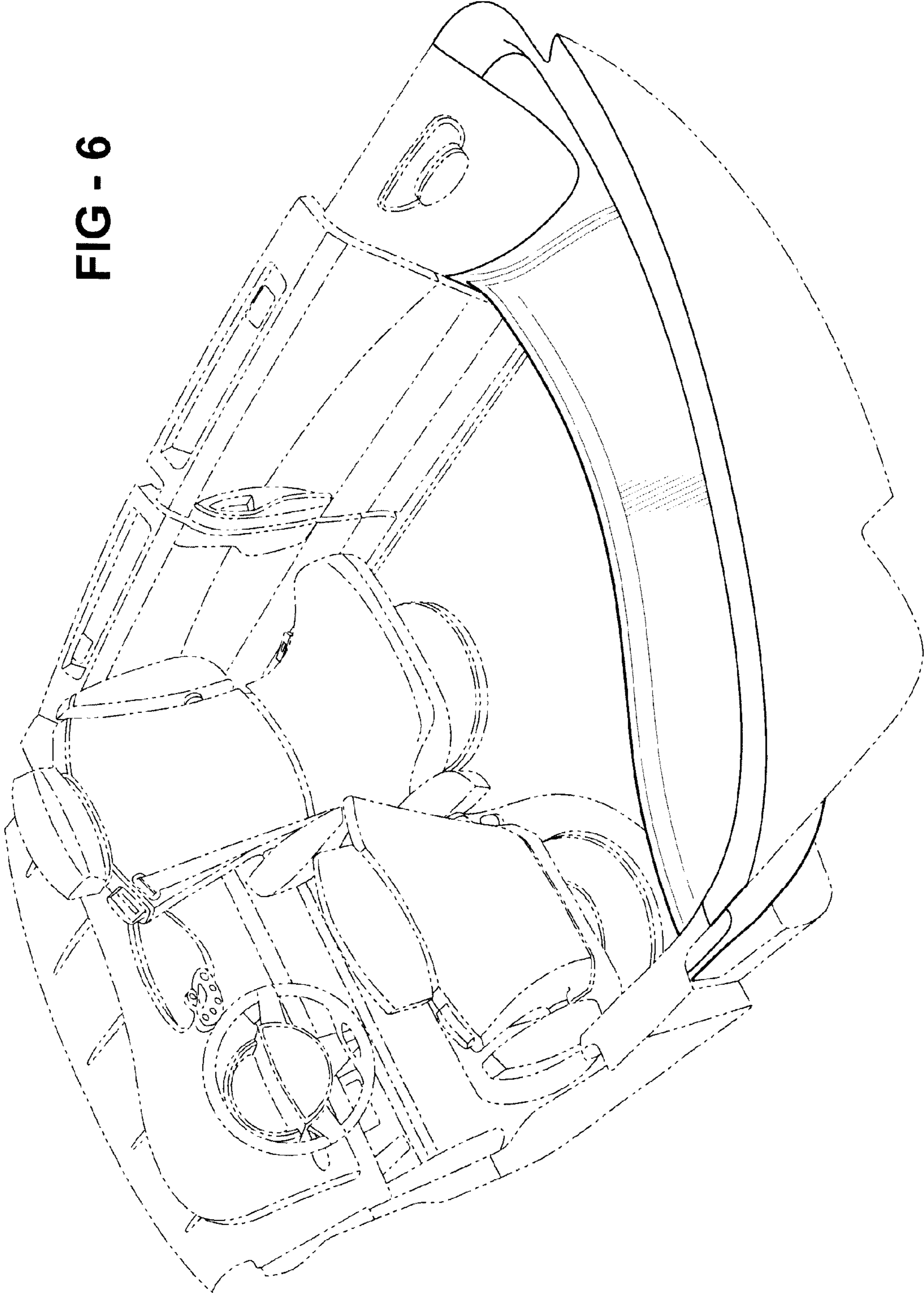


FIG - 5

FIG - 6



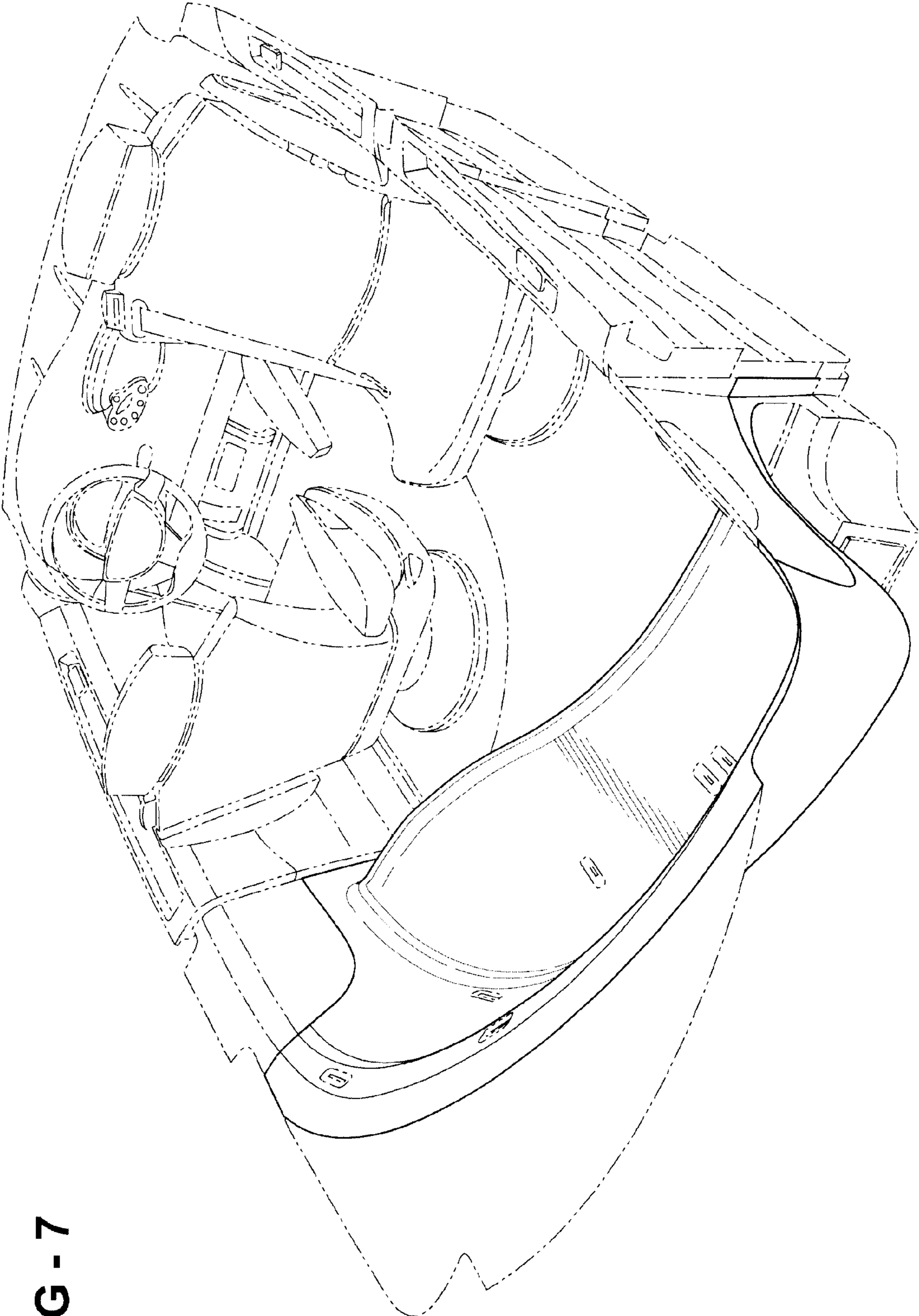


FIG - 7

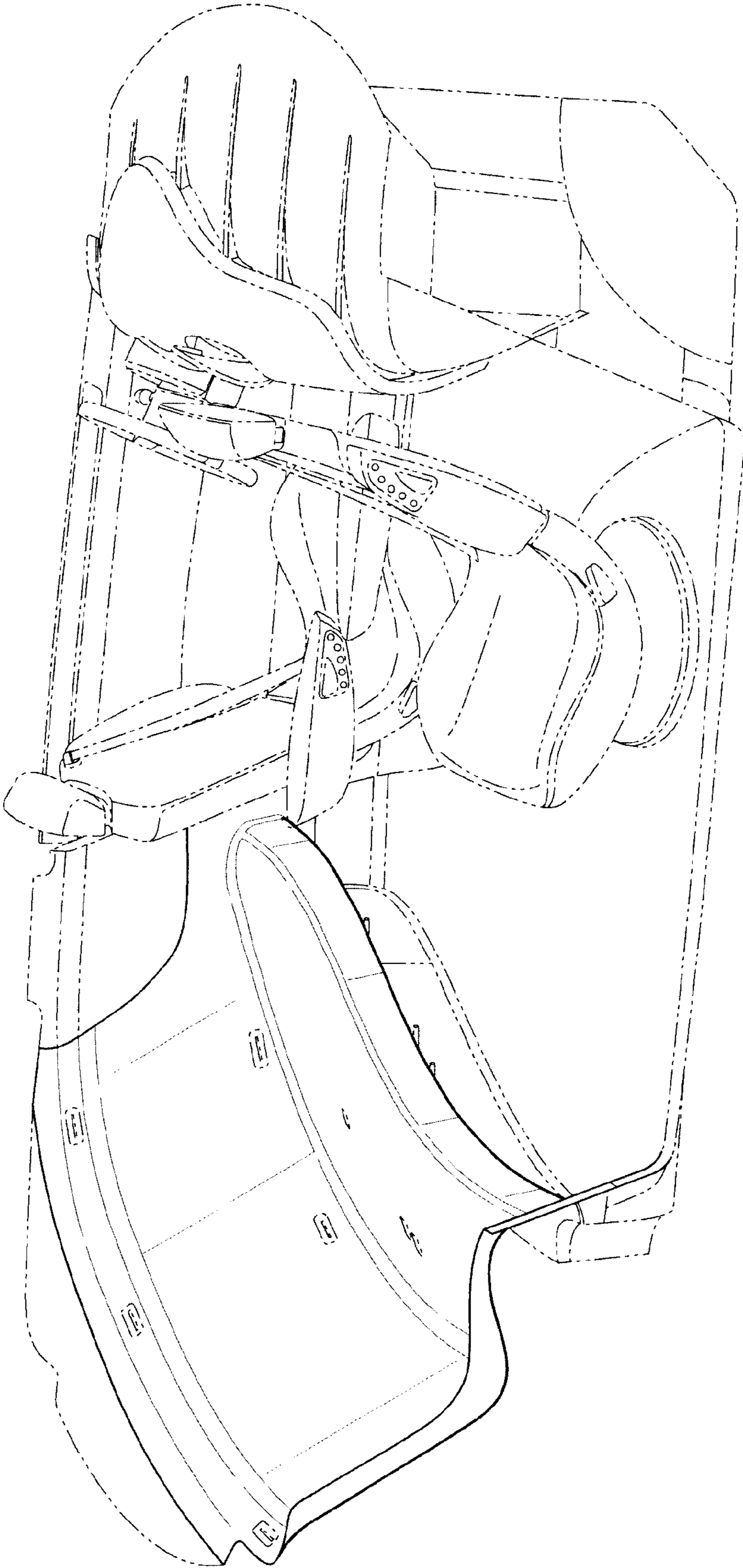
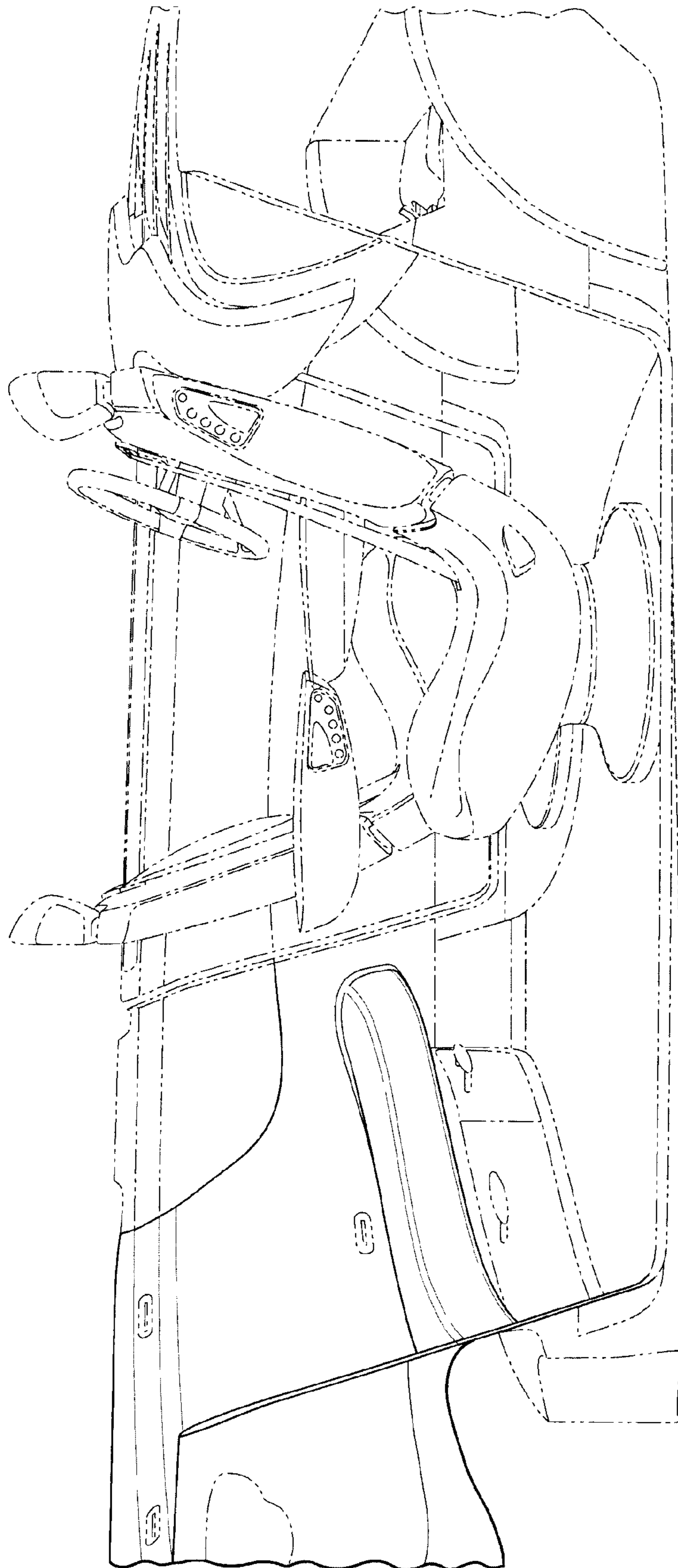


FIG - 8

FIG - 9



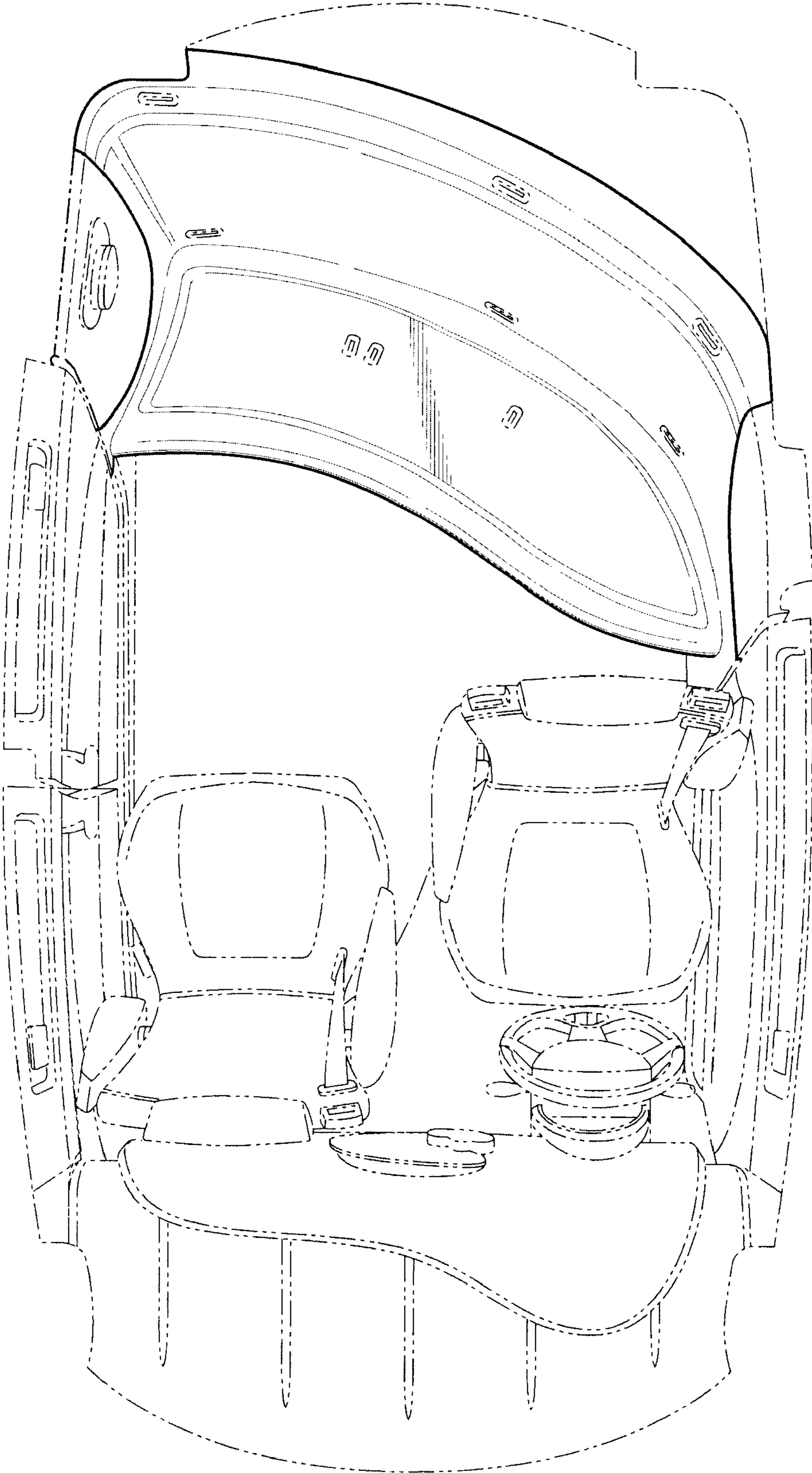


FIG - 10