

US00D524210S

(12) **United States Design Patent**
Spencer

(10) **Patent No.:** **US D524,210 S**

(45) **Date of Patent:** **** Jul. 4, 2006**

(54) **LICENSE PLATE FRAME FEATURING DIAMONDS**

(76) Inventor: **Todd R. Spencer**, 19475 Beacon Lite Rd., Monument, CO (US) 80132

(**) Term: **14 Years**

(21) Appl. No.: **29/240,014**

(22) Filed: **Oct. 7, 2005**

(51) **LOC (8) Cl.** **12-16**

(52) **U.S. Cl.** **D12/193**

(58) **Field of Classification Search** D12/193;
D6/300-303, 310-314; 40/200-203, 207-216;
428/346

See application file for complete search history.

(56) **References Cited**

U.S. PATENT DOCUMENTS

- D367,459 S * 2/1996 Spencer D12/193
- D397,074 S * 8/1998 Wang D12/193
- D413,847 S * 9/1999 Hartmann et al. D12/193
- D464,300 S * 10/2002 Ohm et al. D12/193
- D469,392 S * 1/2003 Ohm et al. D12/193

D475,335 S * 6/2003 Wang D12/193

* cited by examiner

Primary Examiner—Stacia Cadmus

(74) *Attorney, Agent, or Firm*—Timothy Thut Tyson Freilich, Hornbaker & Rosen

(57) **CLAIM**

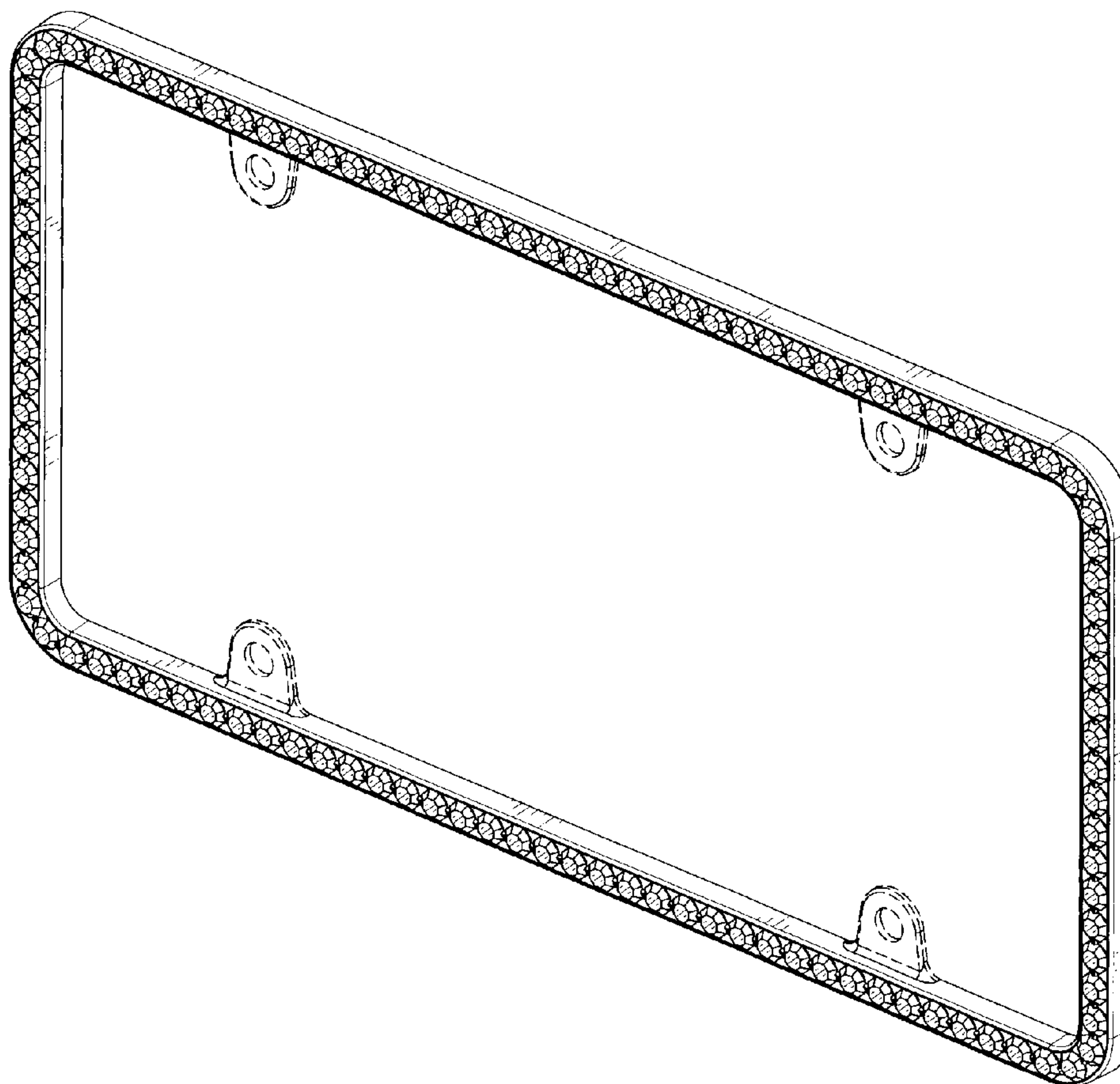
The ornamental design for a license plate frame featuring diamonds, as shown and described.

DESCRIPTION

FIG. 1 is a front, top, right side perspective view of a license plate frame featuring diamonds showing my new design; FIG. 2 is a front elevation view thereof; FIG. 3 is a rear elevation view thereof; FIG. 4 is a left side elevation view thereof, the right side elevation view being the same; and, FIG. 5 is a bottom plan view thereof, the top plan view being the same.

The broken line showing of the tabs and mounting holes is for illustrative purposes only and forms no part of the claimed design.

1 Claim, 4 Drawing Sheets



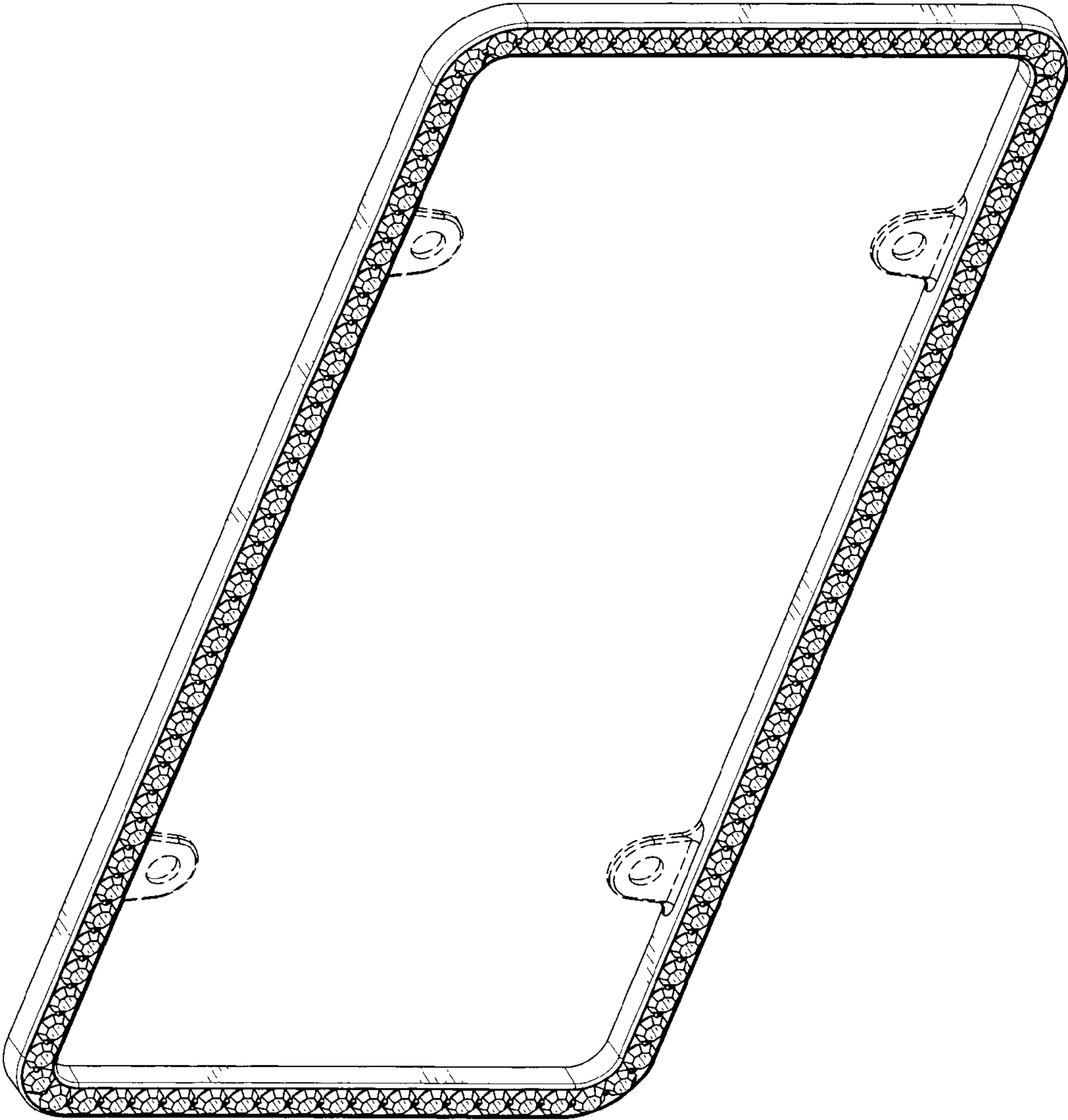


FIG. 1

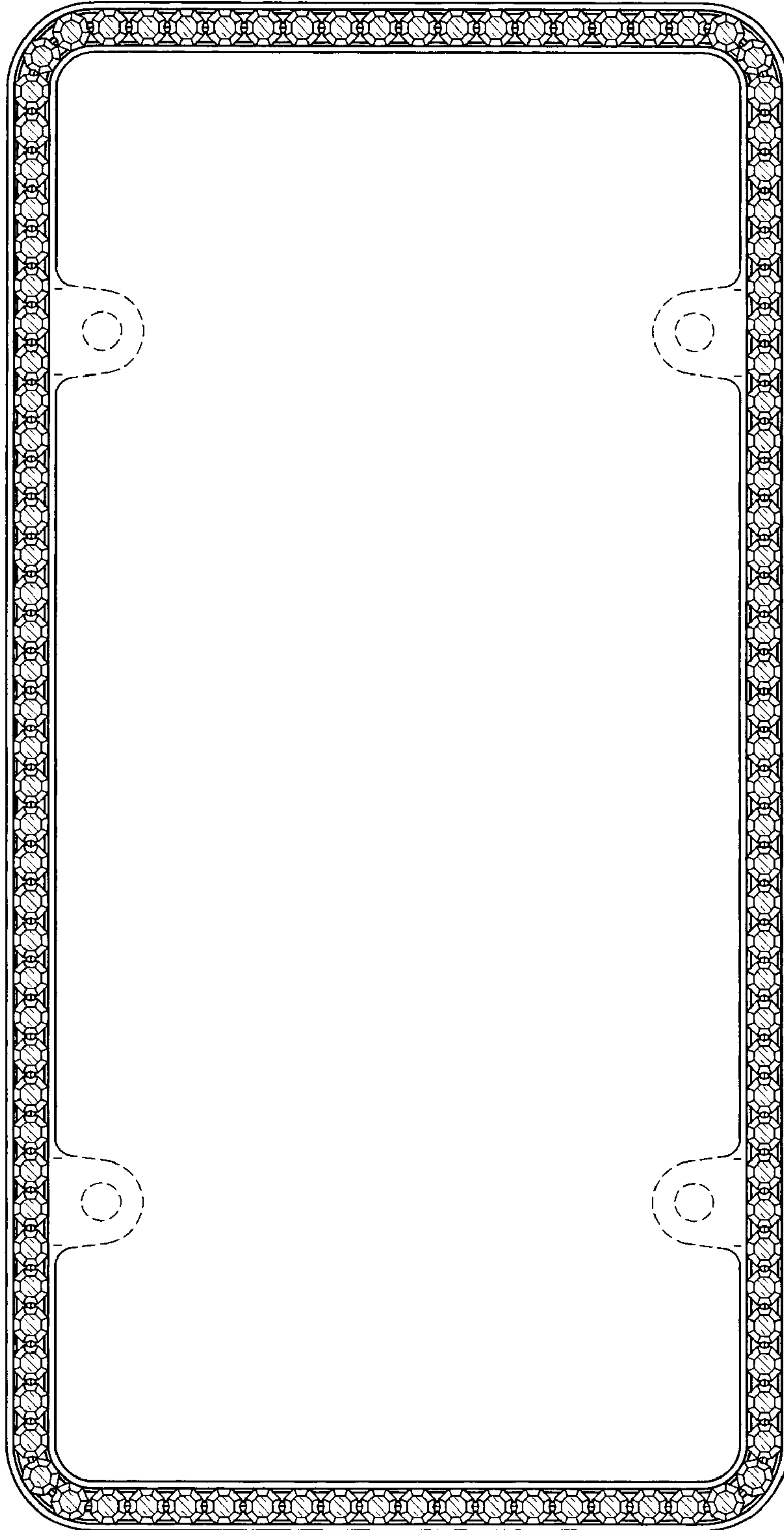


FIG. 2

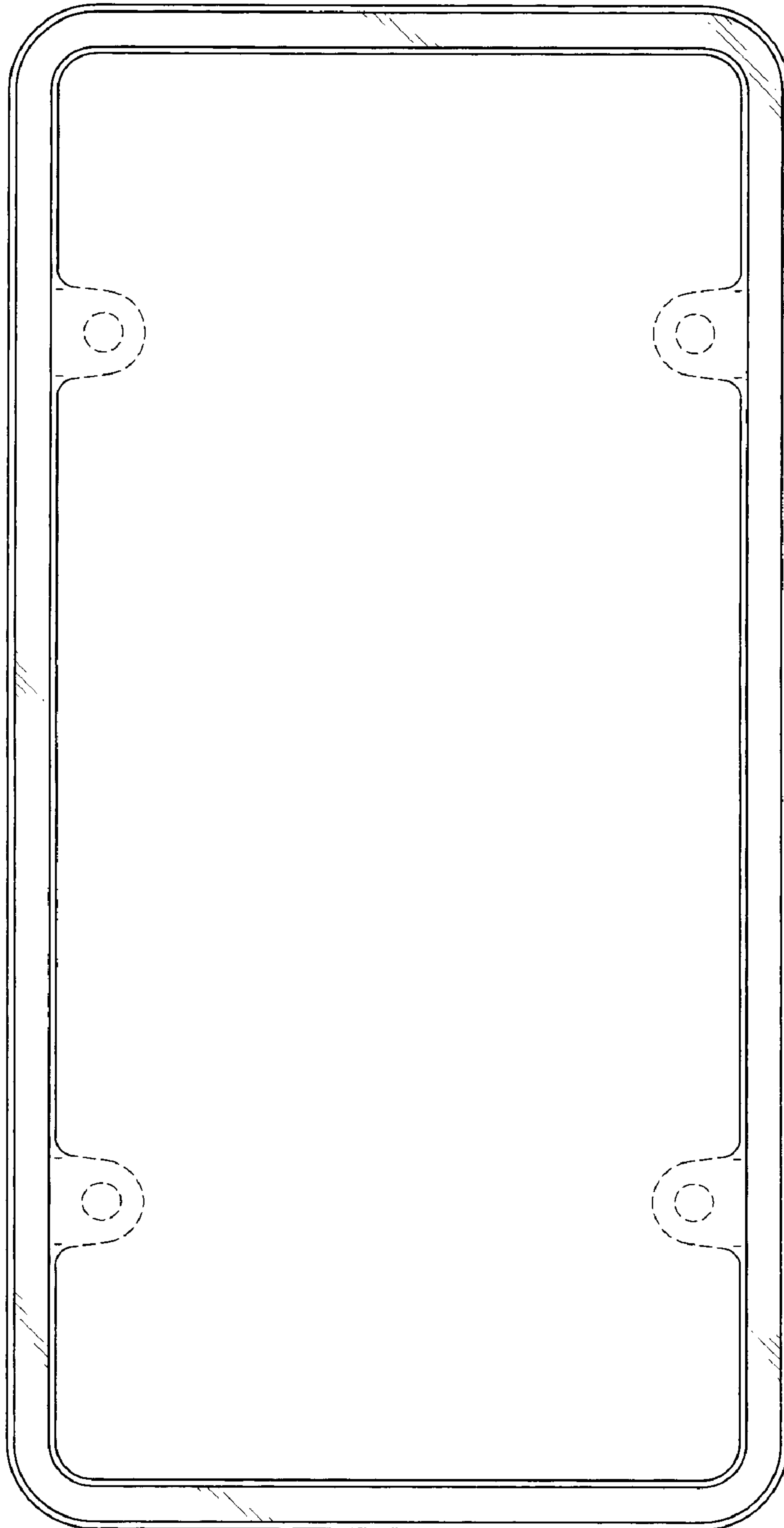


FIG. 3



FIG. 4

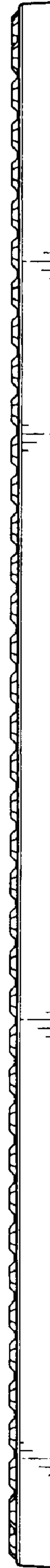


FIG. 5