



US00D524202S

(12) **United States Design Patent** (10) **Patent No.:** **US D524,202 S**
Devitt (45) **Date of Patent:** **** Jul. 4, 2006**

(54) **SINGLE AXLE FENDER**

(75) Inventor: **Jon W. Devitt**, Ida Grove, IA (US)

(73) Assignee: **Midwest Industries, Inc.**, IDA Grove, IA (US)

(**) Term: **14 Years**

(21) Appl. No.: **29/215,451**

(22) Filed: **Oct. 19, 2004**

(51) **LOC (8) Cl.** **12-16**

(52) **U.S. Cl.** **D12/184; D12/106**

(58) **Field of Classification Search** D12/184, D12/106, 101, 102; 280/414.1-414.3, 847-849
See application file for complete search history.

(56) **References Cited**

U.S. PATENT DOCUMENTS

D387,016 S	*	12/1997	Nielsen, III	D12/106
D400,825 S	*	11/1998	Laivins et al.	D12/106
D403,639 S	*	1/1999	Gale et al.	D12/184
D433,352 S	*	11/2000	Boyd	D12/106
D505,896 S	*	6/2005	Devitt	D12/184

OTHER PUBLICATIONS

COPY—2 sheets, (color) of a Prestige Trailer—from their website on Dec. 12, 2003.
COPY—2 sheets, (color) of a Zieman Trailer.
COPY—3 sheets (color) of a Heritage trailer—from their website on Dec. 12, 2003.

COPY—1 sheet, (color) of a RANGER boat trailer.
COPY—1 sheet, (color) of a showing a Shoreland'r Trailer—from their website on Dec. 12, 2003.

* cited by examiner

Primary Examiner—Melody N. Brown
(74) *Attorney, Agent, or Firm*—Strum & Fix LLP

(57) **CLAIM**

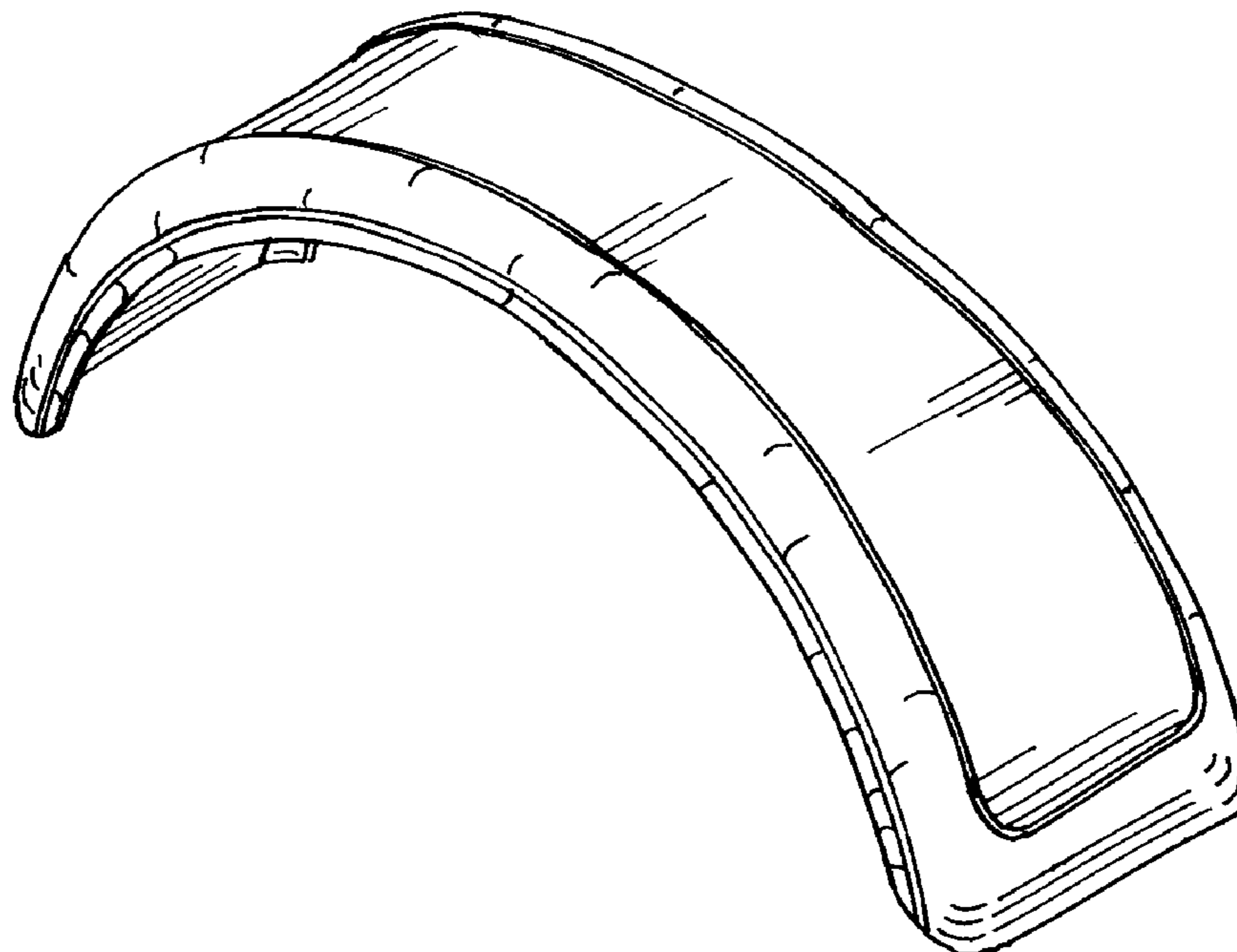
The ornamental design for a single axle fender, as shown and described.

DESCRIPTION

A portion of the disclosure of this patent document, including appendices, may contain material which is subject to copyright protection. The copyright owner has no objection to the facsimile reproduction by anyone of the patent document or the patent disclosure, as it appears in the Patent and Trademark Office patent file or records, but otherwise reserves all copyright rights whatsoever.

FIG. 1 is a perspective view of a fender for a trailer showing my new design;
FIG. 2 is a top plan view thereof;
FIG. 3 is a side elevational view;
FIG. 4 is a front elevational view thereof;
FIG. 5 is a rear elevational view thereof;
FIG. 6 is a side elevational view from the side opposite the side shown in FIG. 3; and,
FIG. 7 is a bottom plan view thereof.

1 Claim, 2 Drawing Sheets



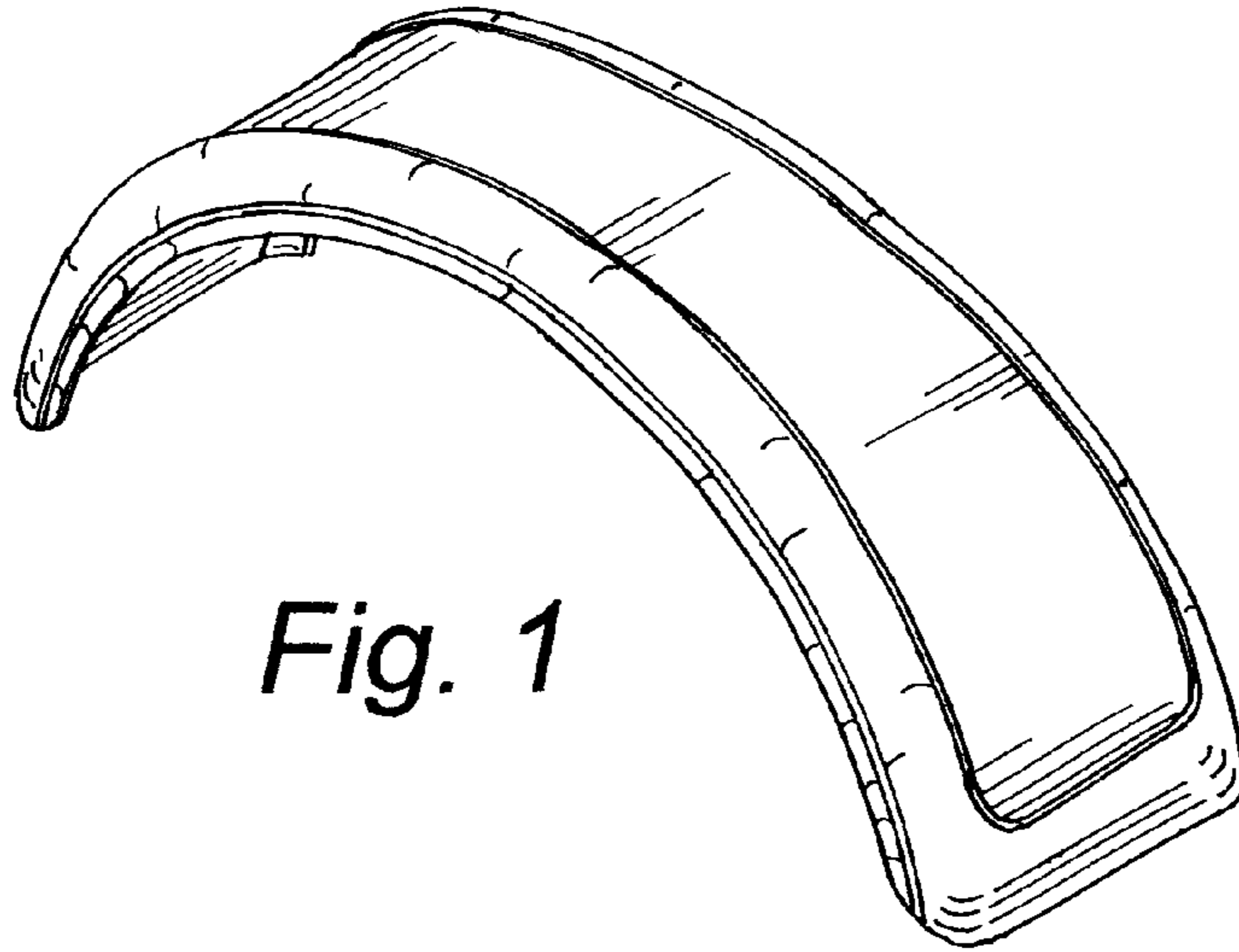


Fig. 1

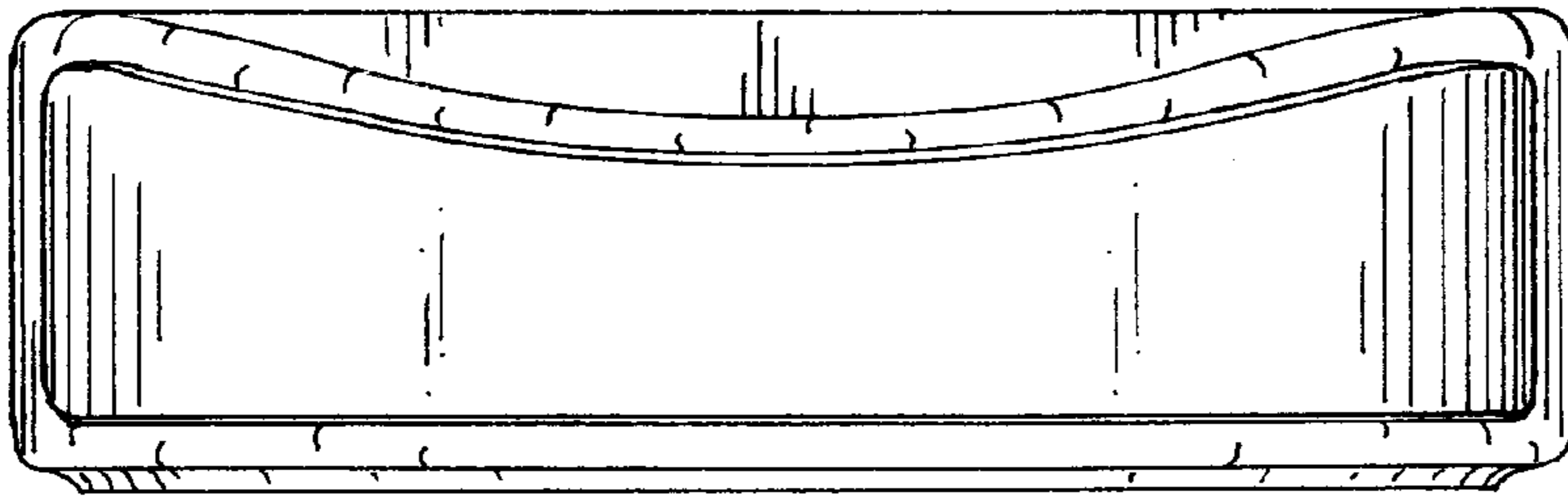


Fig. 2

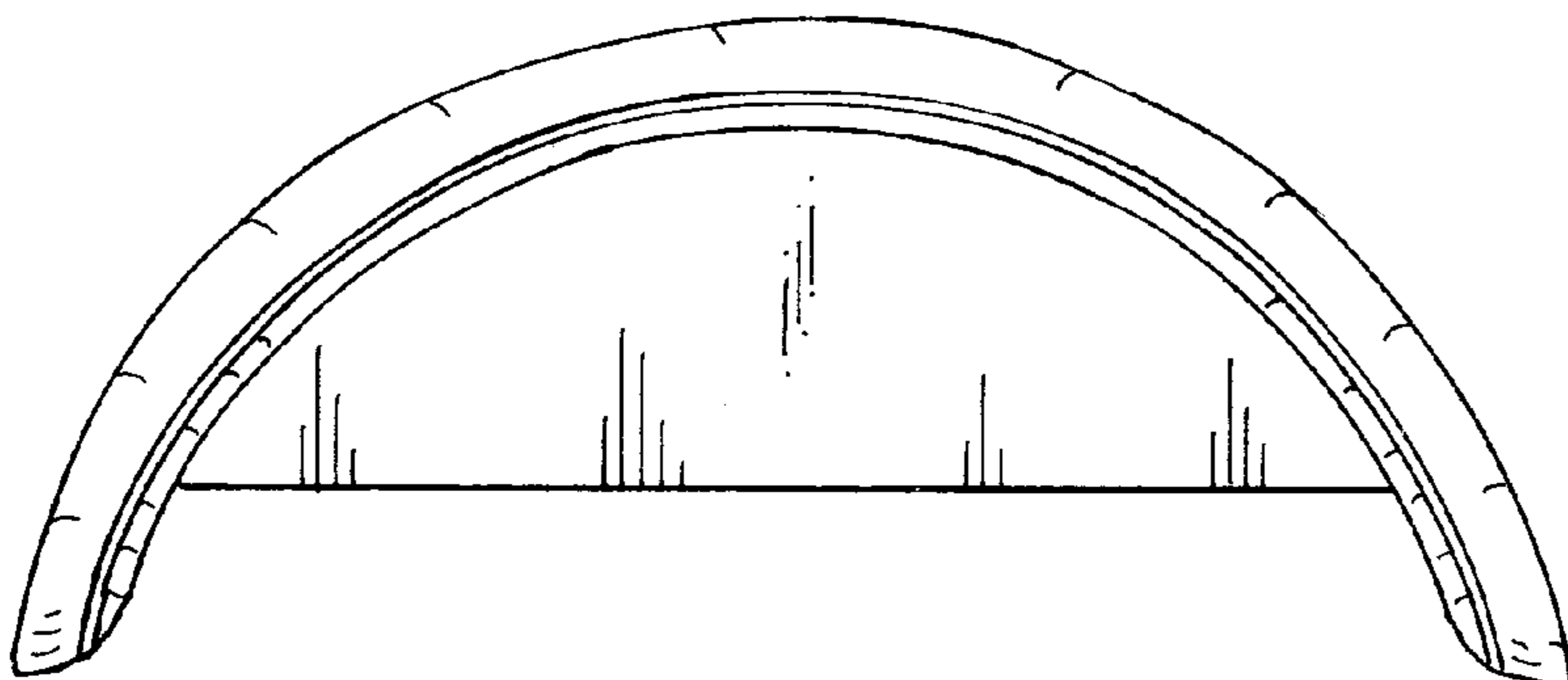


Fig. 3

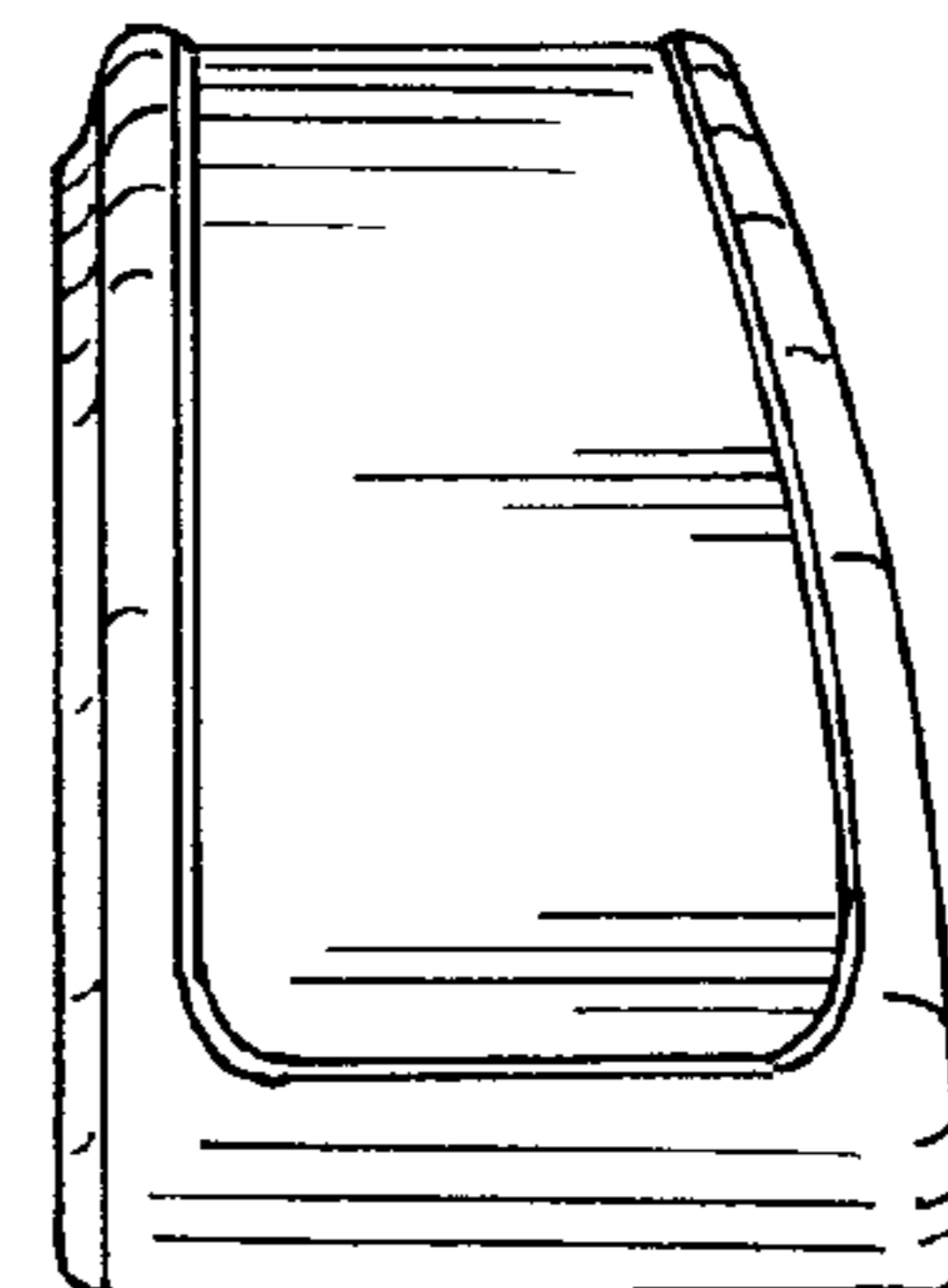


Fig. 4

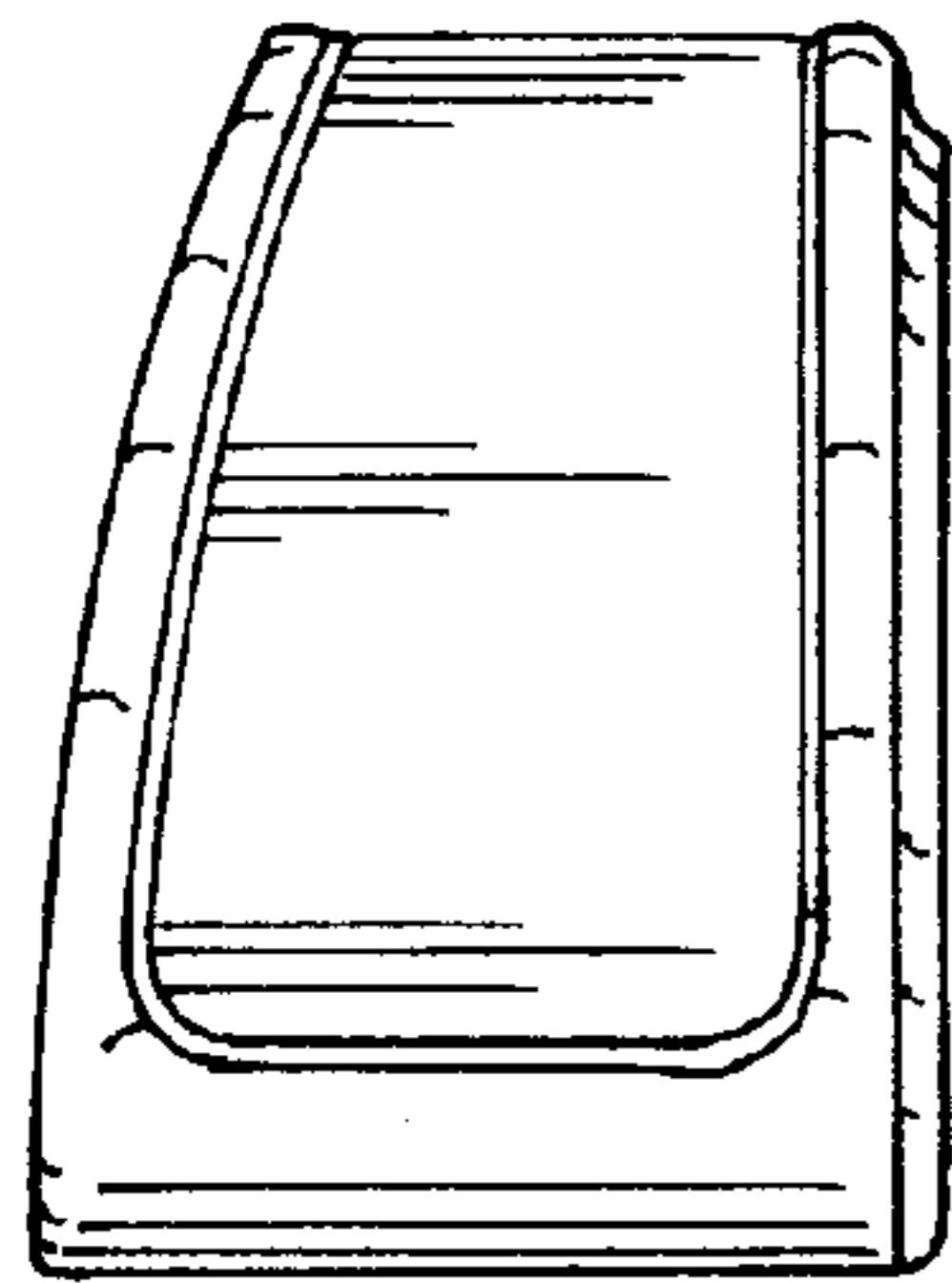


Fig. 5

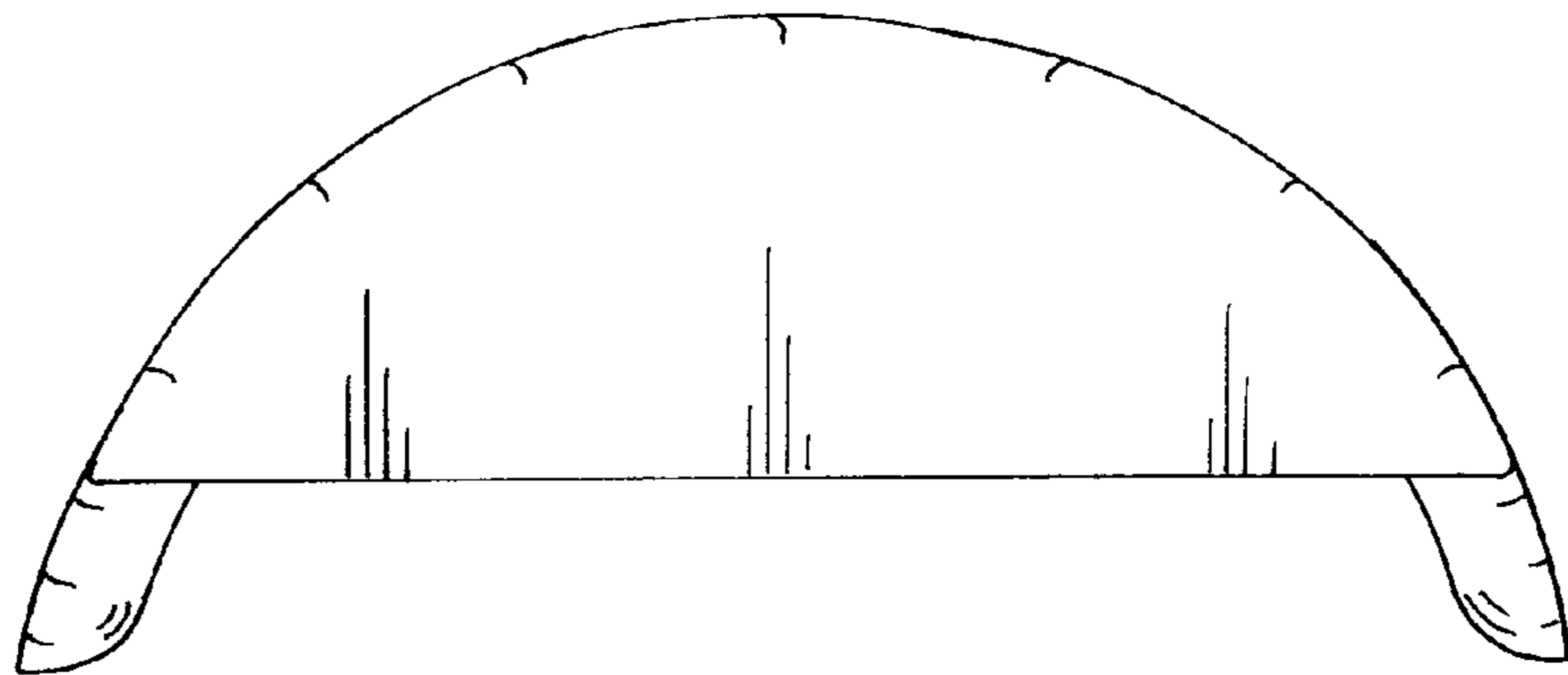


Fig. 6

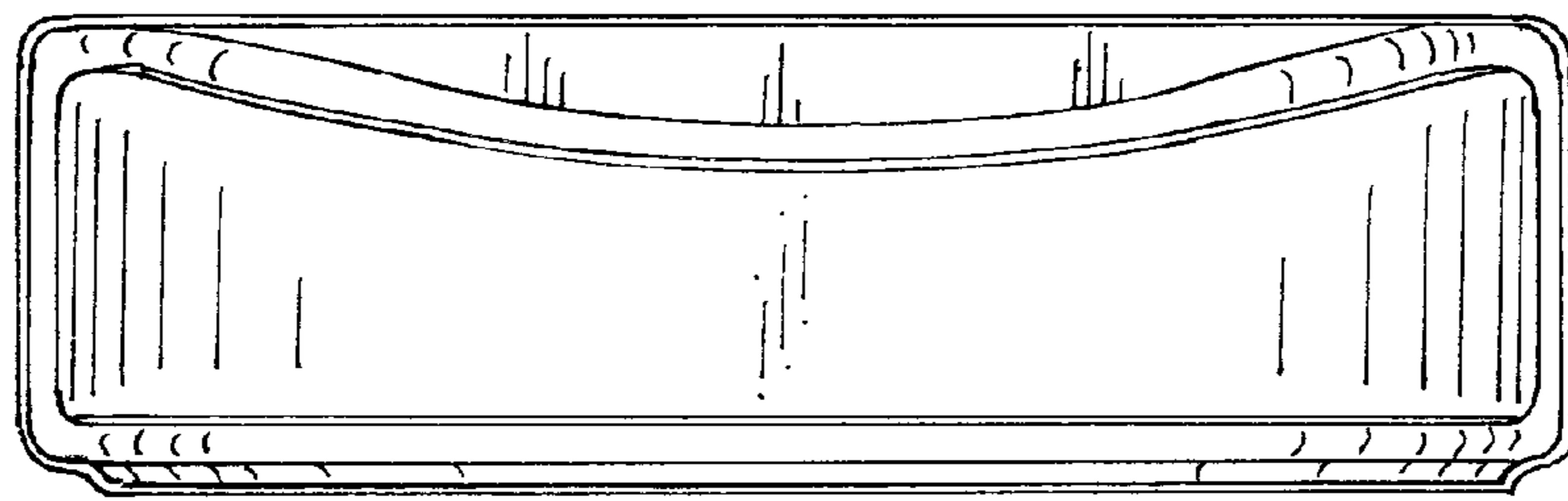


Fig. 7