

US00D524198S

(12) **United States Design Patent**  
**Fukuda et al.**

(10) **Patent No.:** **US D524,198 S**  
(45) **Date of Patent:** **\*\* Jul. 4, 2006**

(54) **FRONT GRILLE FOR AN AUTOMOBILE**

(75) Inventors: **Shinya Fukuda**, Aichi-ken (JP);  
**Hisashi Watanabe**, Aichi-ken (JP)

(73) Assignee: **Toyota Jidosha Kabushiki Kaisha** (JP)

(\*\*) Term: **14 Years**

(21) Appl. No.: **29/227,100**

(22) Filed: **Apr. 5, 2005**

(51) **LOC (8) Cl.** ..... **12-16**

(52) **U.S. Cl.** ..... **D12/163**

(58) **Field of Classification Search** ..... D12/163,  
D12/171, 90-92, 216, 169, 196; 180/68.1,  
180/68.6; 296/193.11; 293/102, 113, 115  
See application file for complete search history.

(56) **References Cited**

**U.S. PATENT DOCUMENTS**

D272,240 S	*	1/1984	Berg	.....	D12/163
D307,124 S	*	4/1990	Hayashi et al.	.....	D12/163
D361,968 S	*	9/1995	Oyama	.....	D12/163
D464,296 S	*	10/2002	Nemoto	.....	D12/163
D473,496 S	*	4/2003	Tanabe et al.	.....	D12/163

D475,329 S	*	6/2003	Okumoto et al.	.....	D12/163
D479,166 S	*	9/2003	Tanaka et al.	.....	D12/163
D498,185 S	*	11/2004	Hara et al.	.....	D12/163

**OTHER PUBLICATIONS**

Toyota ALLION, Brochure of ALLION, Apr. 2002.  
Honda Civic Ferio, Automotive Guidebook, Oct. 22, 2003.

\* cited by examiner

*Primary Examiner*—Melody N. Brown

(74) *Attorney, Agent, or Firm*—SAIDMAN DesignLaw Group

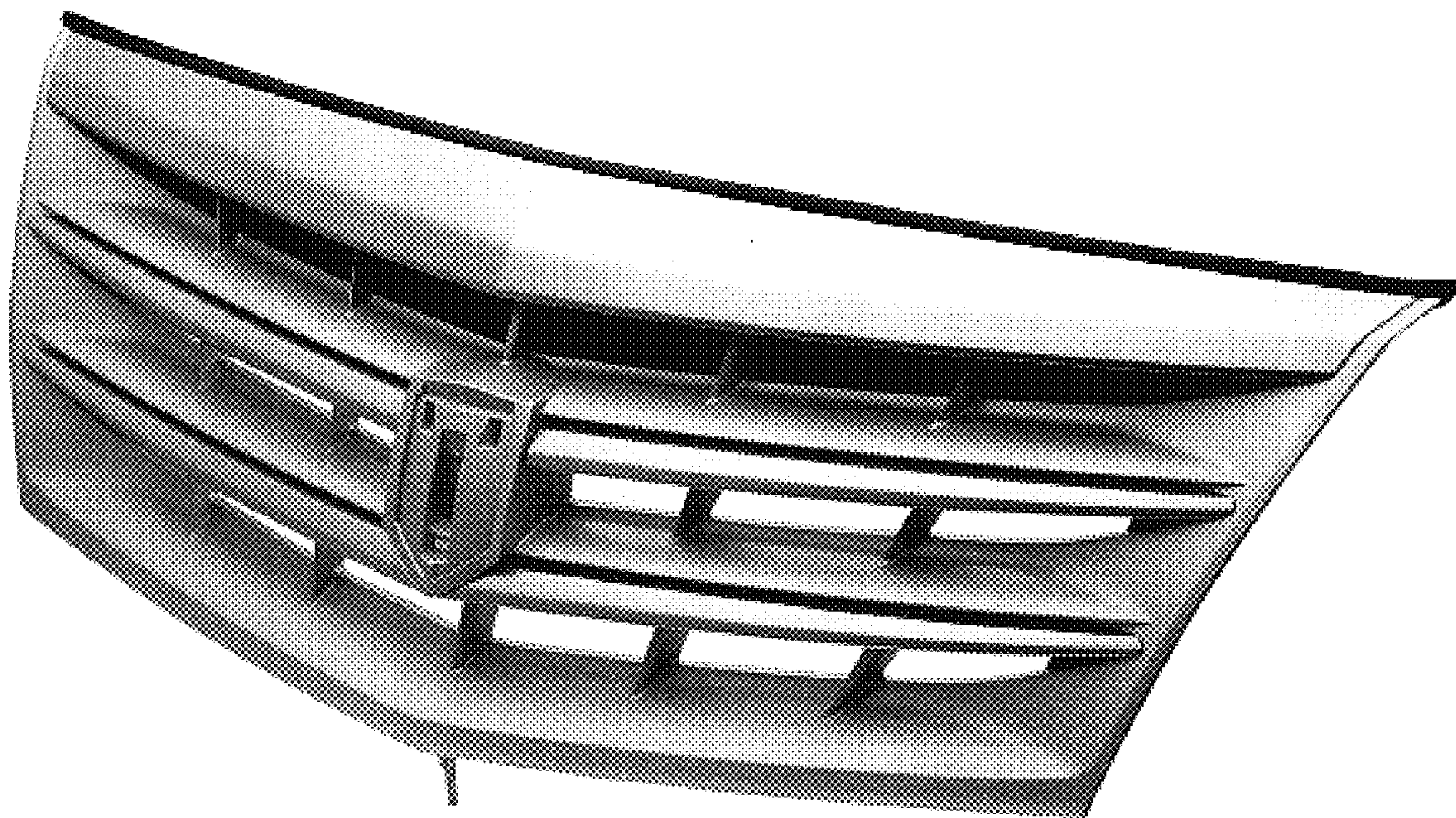
(57) **CLAIM**

The ornamental design for a front grille for an automobile, as shown and described.

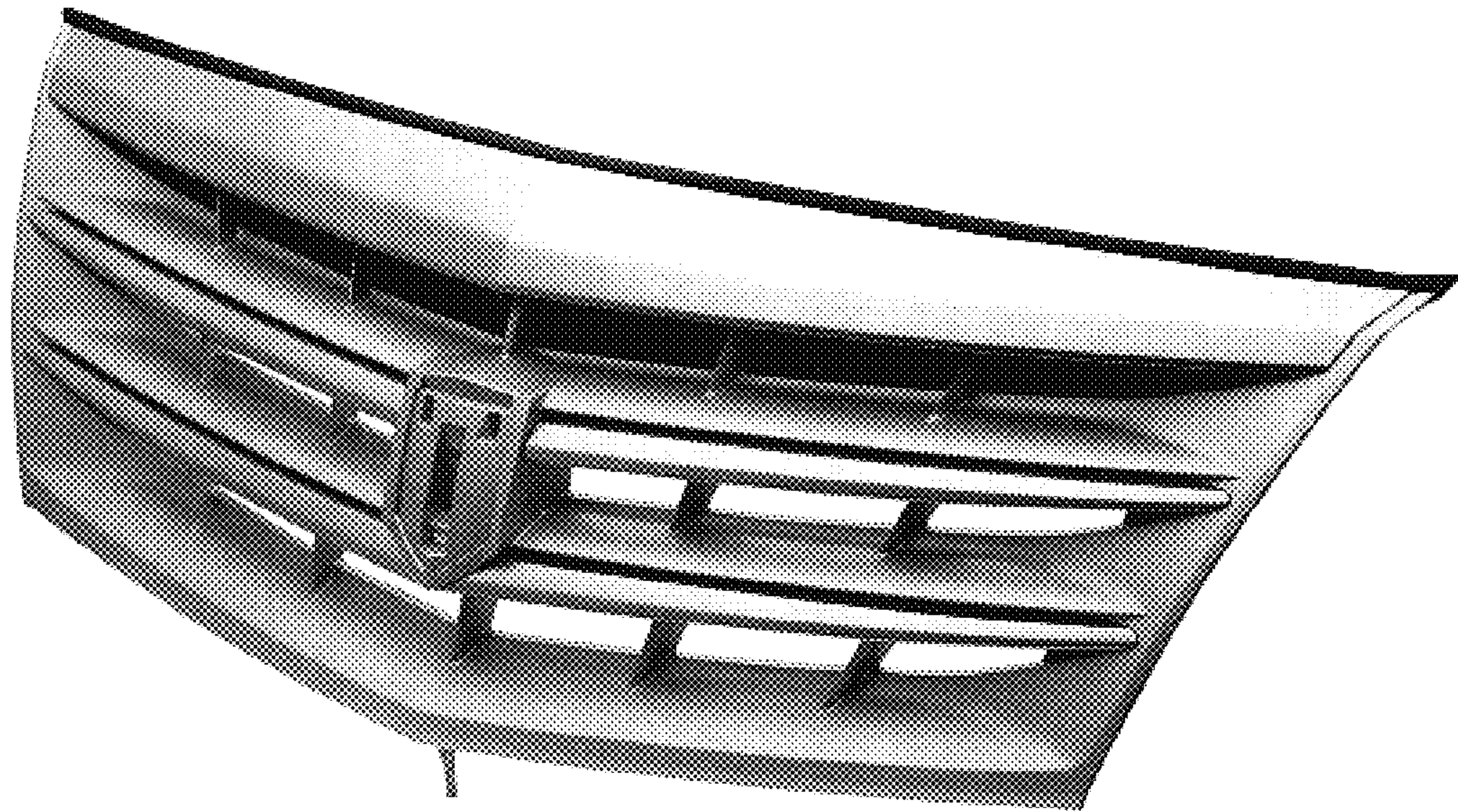
**DESCRIPTION**

FIG. 1 is a front perspective view of a front grille for an automotive showing our new design;  
FIG. 2 is a front view thereof;  
FIG. 3 is a top view thereof; and,  
FIG. 4 is a right-side view thereof, with the left-side view being a mirror image.

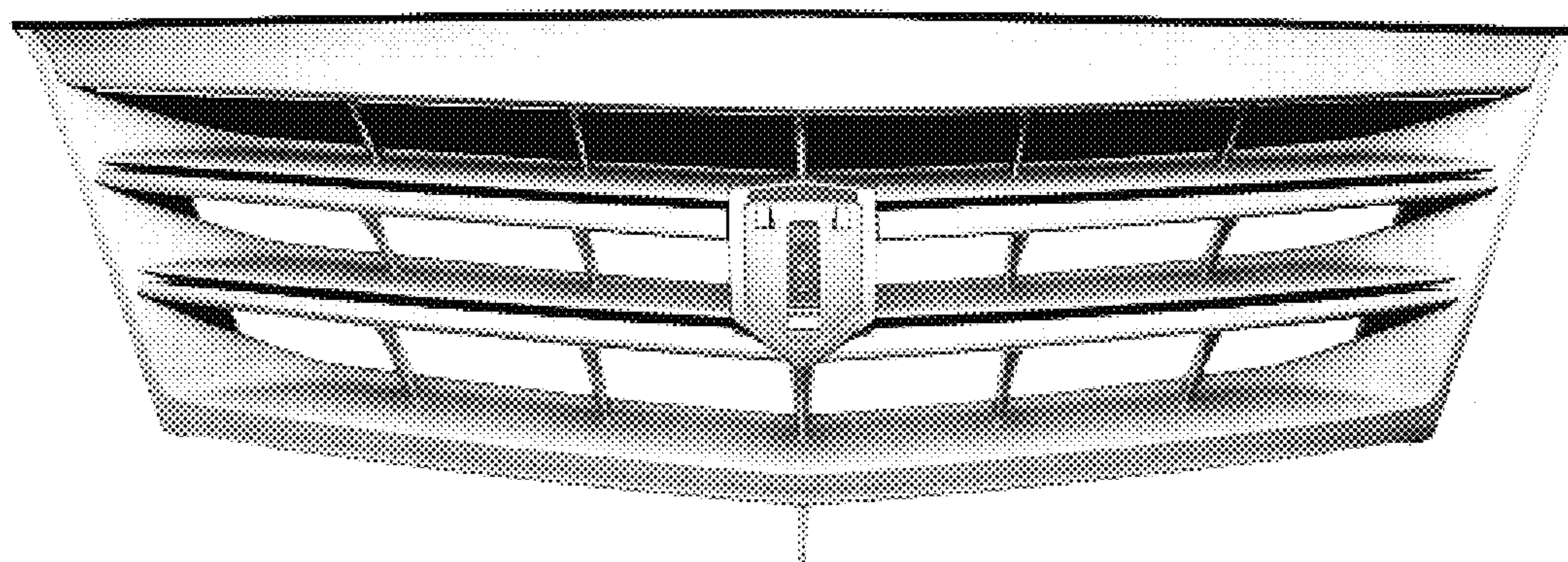
**1 Claim, 2 Drawing Sheets**



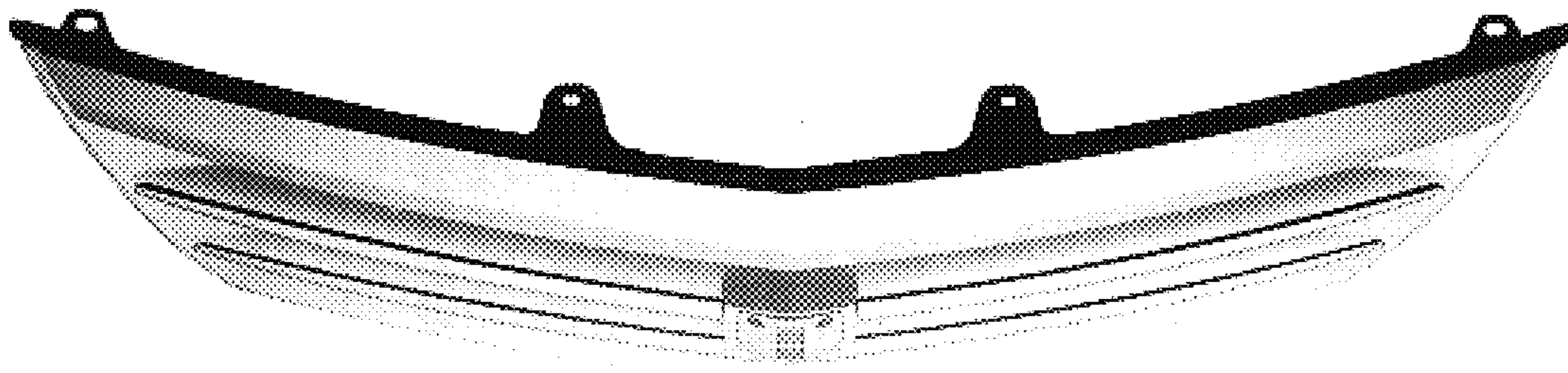




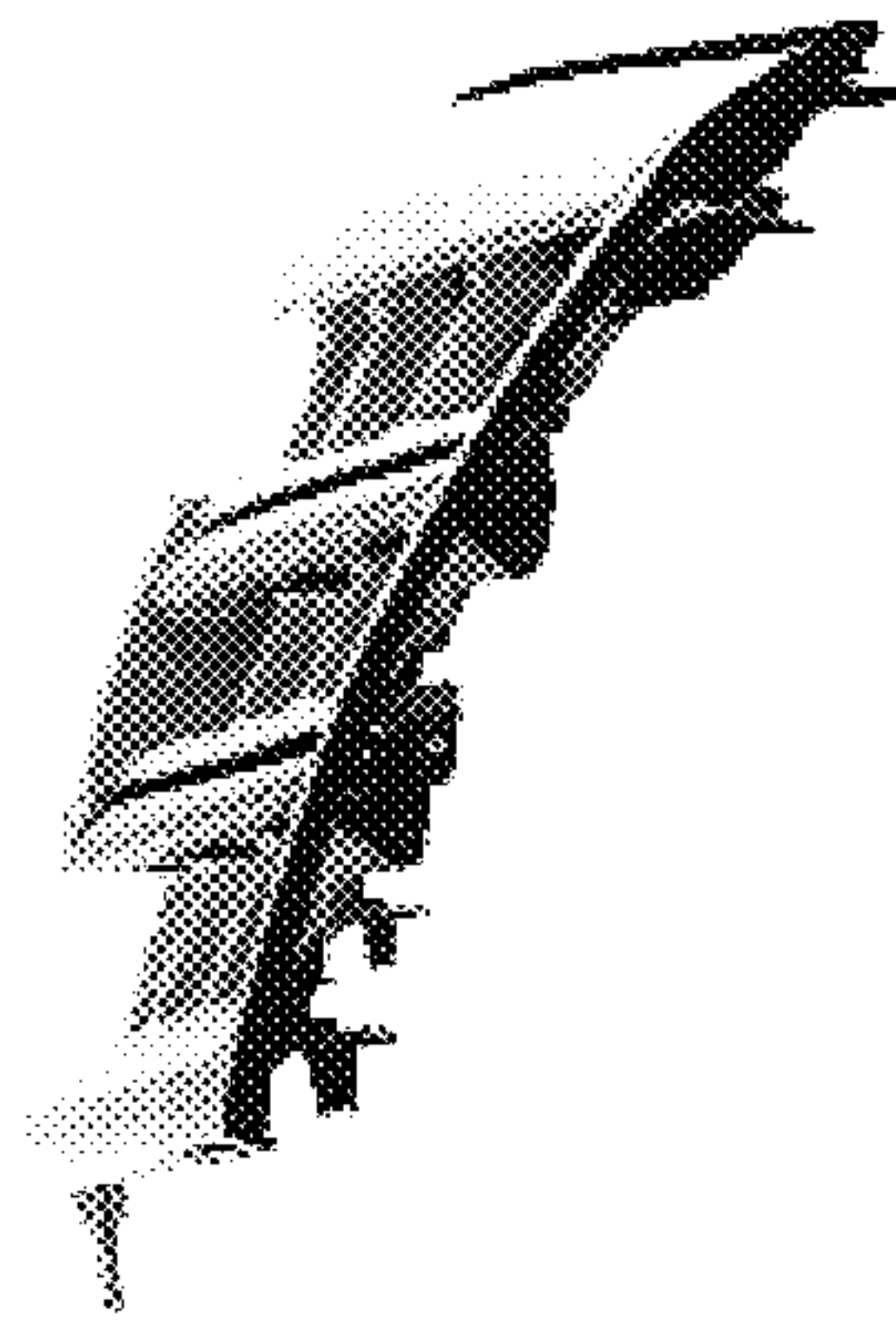
**FIG. 1**



**FIG. 2**



**FIG. 3**



**FIG. 4**