



US00D524195S

(12) **United States Design Patent**
Neal

(10) **Patent No.:** **US D524,195 S**

(45) **Date of Patent:** **** Jul. 4, 2006**

(54) **PEDAL**

D432,463 S 10/2000 Hanamura
6,647,826 B1 * 11/2003 Okajima et al. 74/594.4

(75) Inventor: **Paul Neal**, Retford (GB)

* cited by examiner

(73) Assignee: **Pedalite Limited** (GB)

Primary Examiner—Alan P. Douglas

Assistant Examiner—Linda Brooks

(**) Term: **14 Years**

(74) *Attorney, Agent, or Firm*—Akerman Senterfitt; Joseph W. Bain; Peter A. Chiabotti

(21) Appl. No.: **29/225,358**

(22) Filed: **Mar. 15, 2005**

(57) **CLAIM**

The ornamental design for a pedal, as shown.

(30) **Foreign Application Priority Data**

Oct. 2, 2004 (GB) 3018949

DESCRIPTION

(51) **LOC (8) Cl.** **12-11**

FIG. 1 is a rear elevated perspective view of a pedal showing my new design;

(52) **U.S. Cl.** **D12/125**

FIG. 2 is a frontal elevated perspective view thereof;

(58) **Field of Classification Search** D12/111,

D12/125; 74/594.1, 594.2, 594.3, 594.4,

74/594.5, 594.6, 594.7

FIG. 3 is a top plan view thereof;

FIG. 4 is a bottom plan view thereof;

FIG. 5 is front plan view thereof;

FIG. 6 is a rear plan view thereof;

FIG. 7 is a right plan view thereof; and,

FIG. 8 is a left plan view thereof.

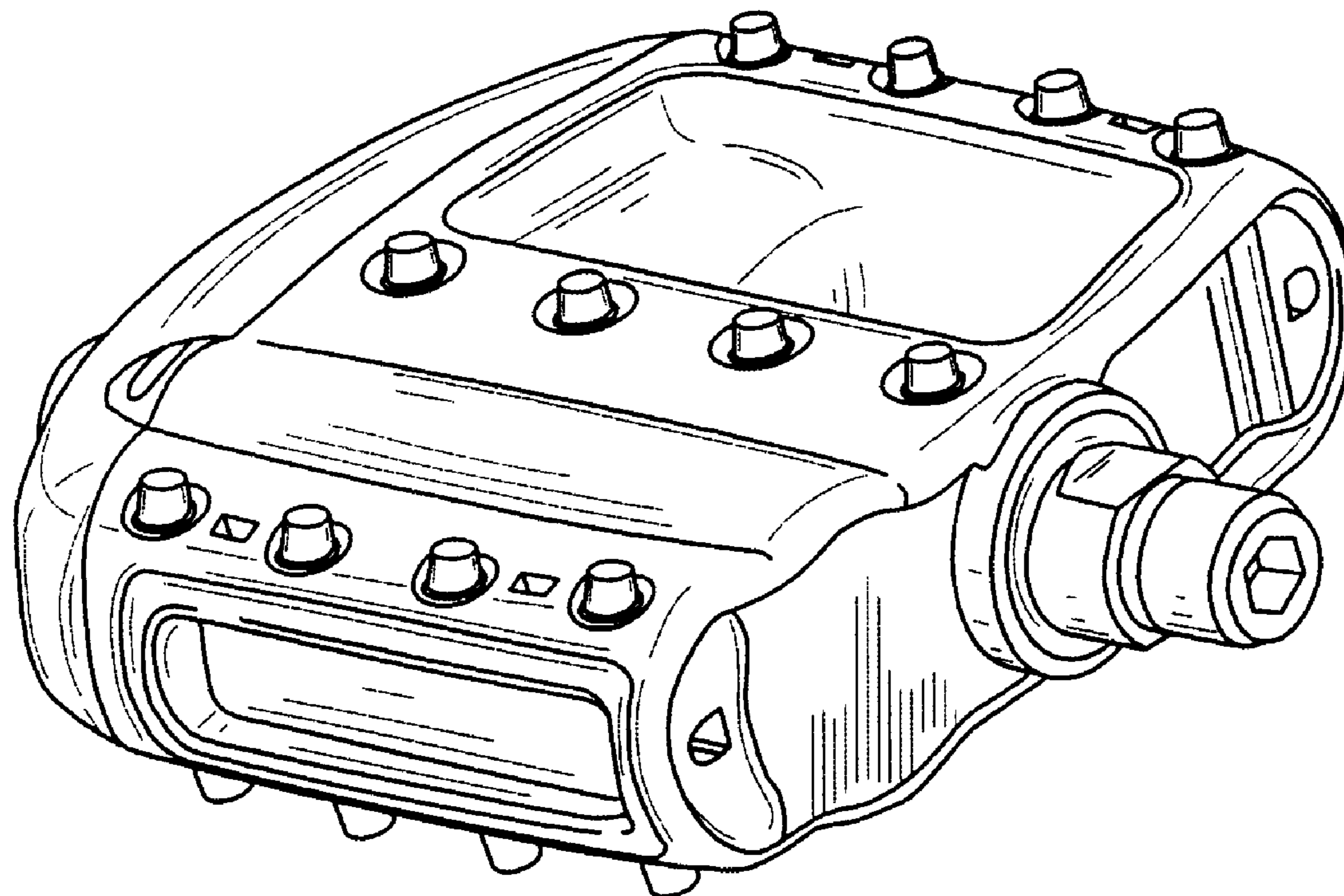
See application file for complete search history.

(56) **References Cited**

U.S. PATENT DOCUMENTS

D286,996 S * 12/1986 Hartmann et al. D12/125

1 Claim, 7 Drawing Sheets



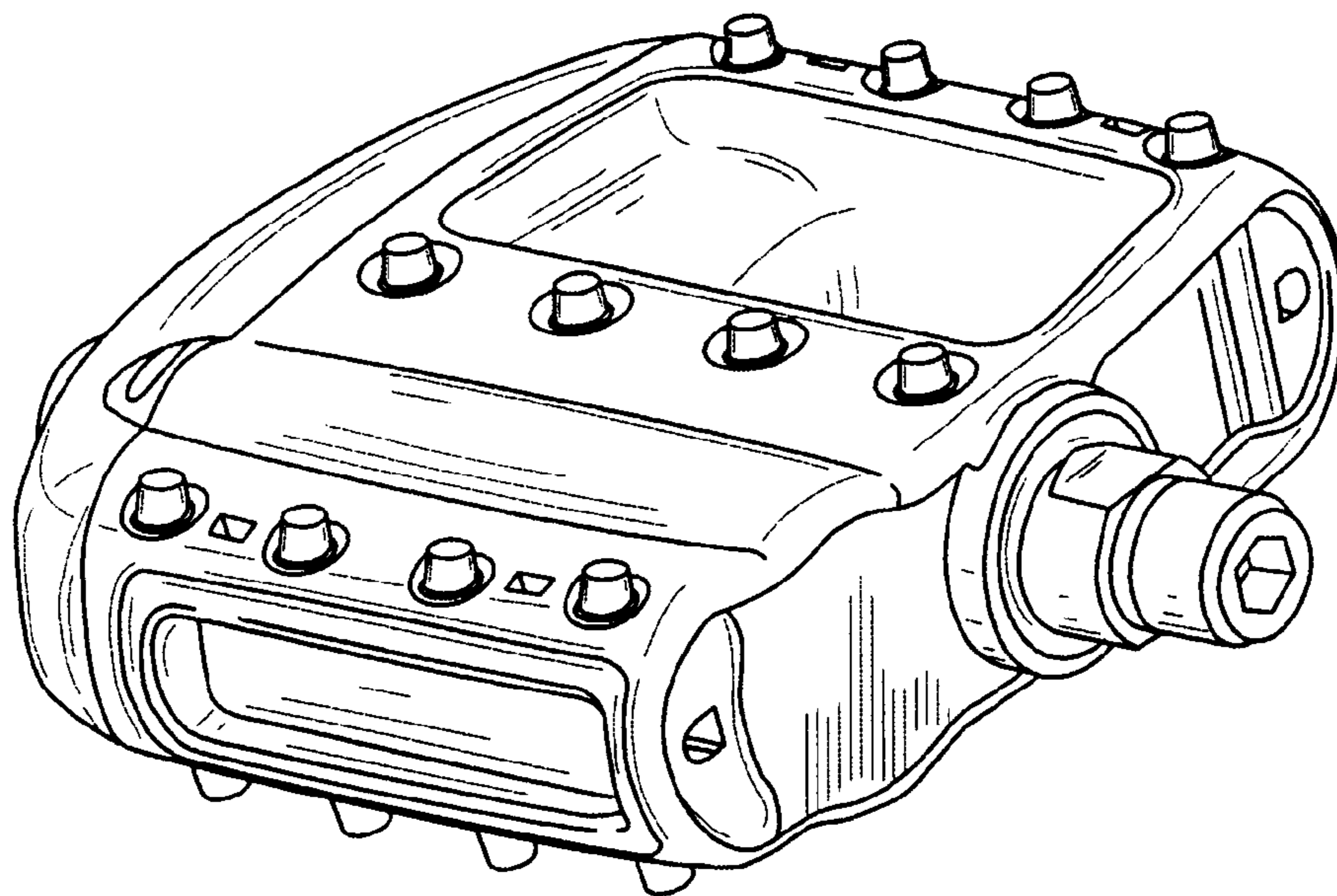


FIG. 1

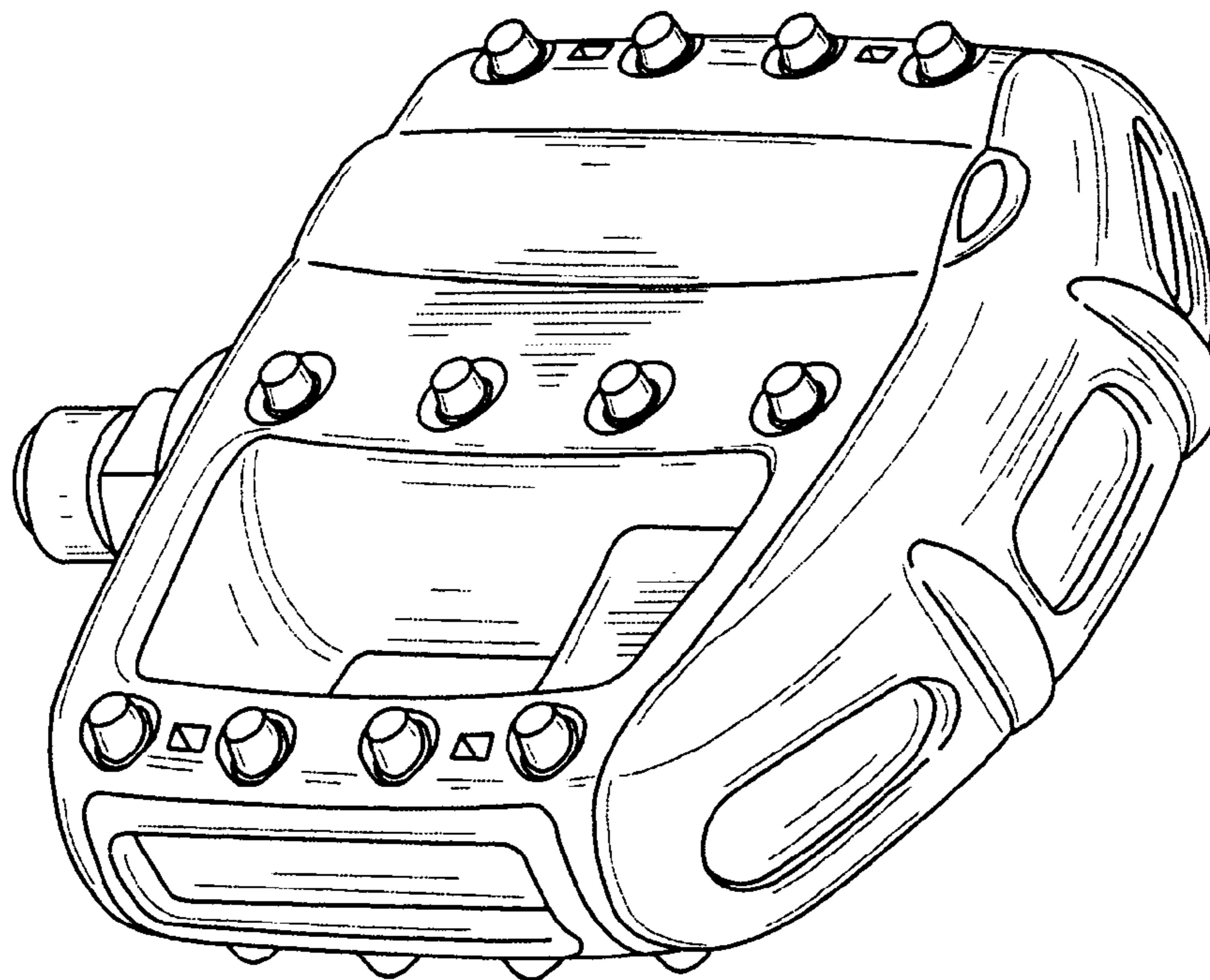


FIG. 2

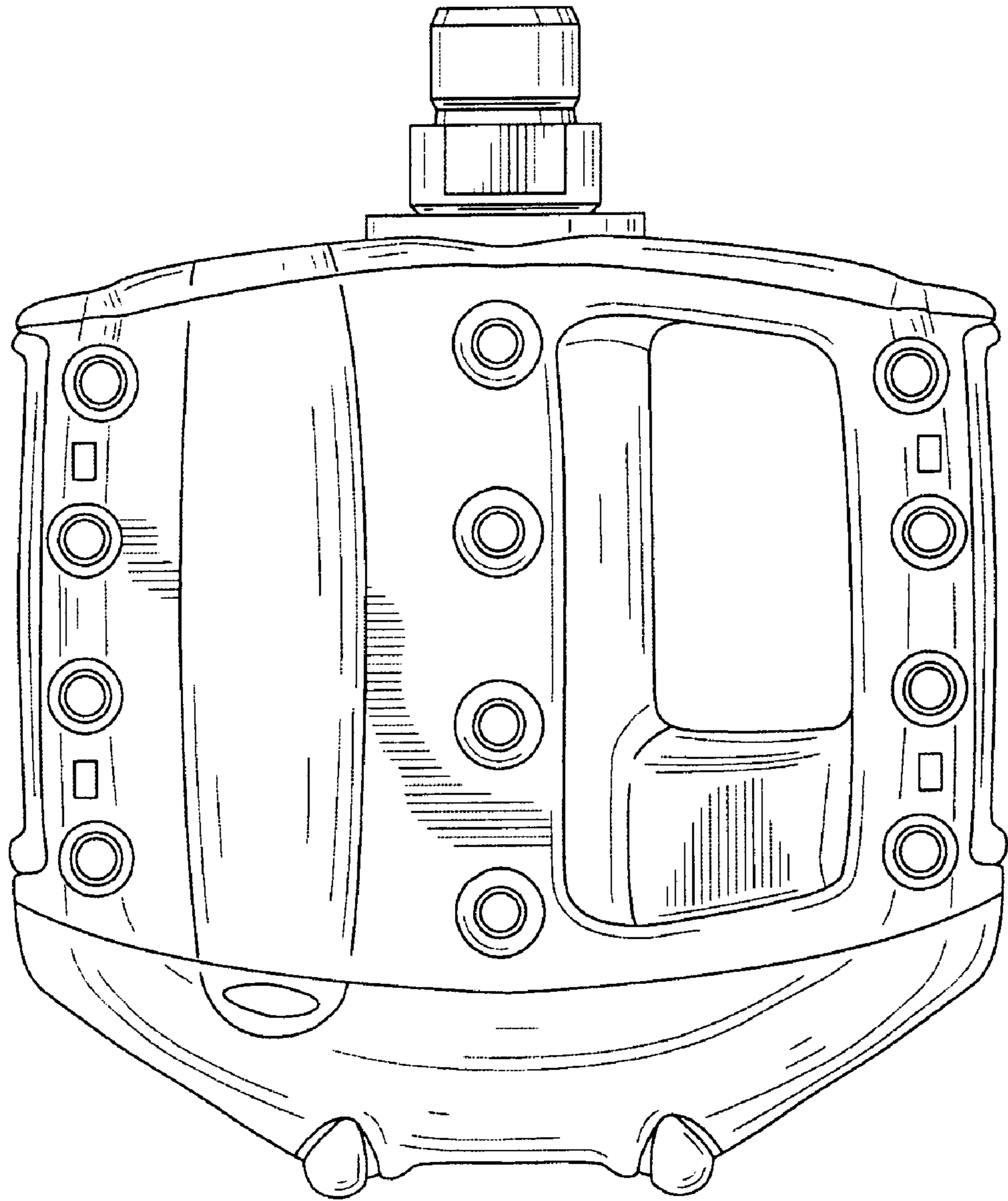


FIG. 3

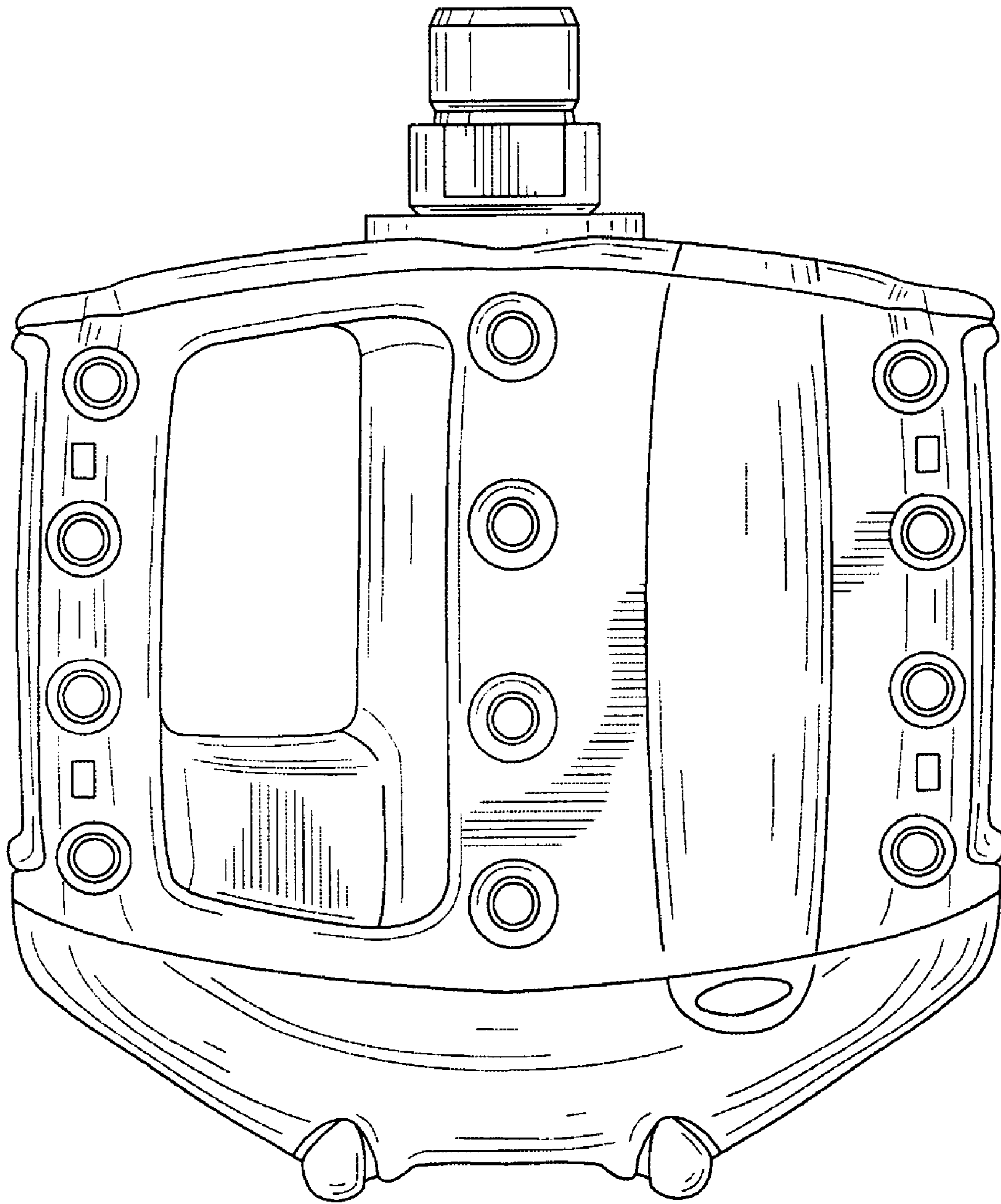


FIG. 4

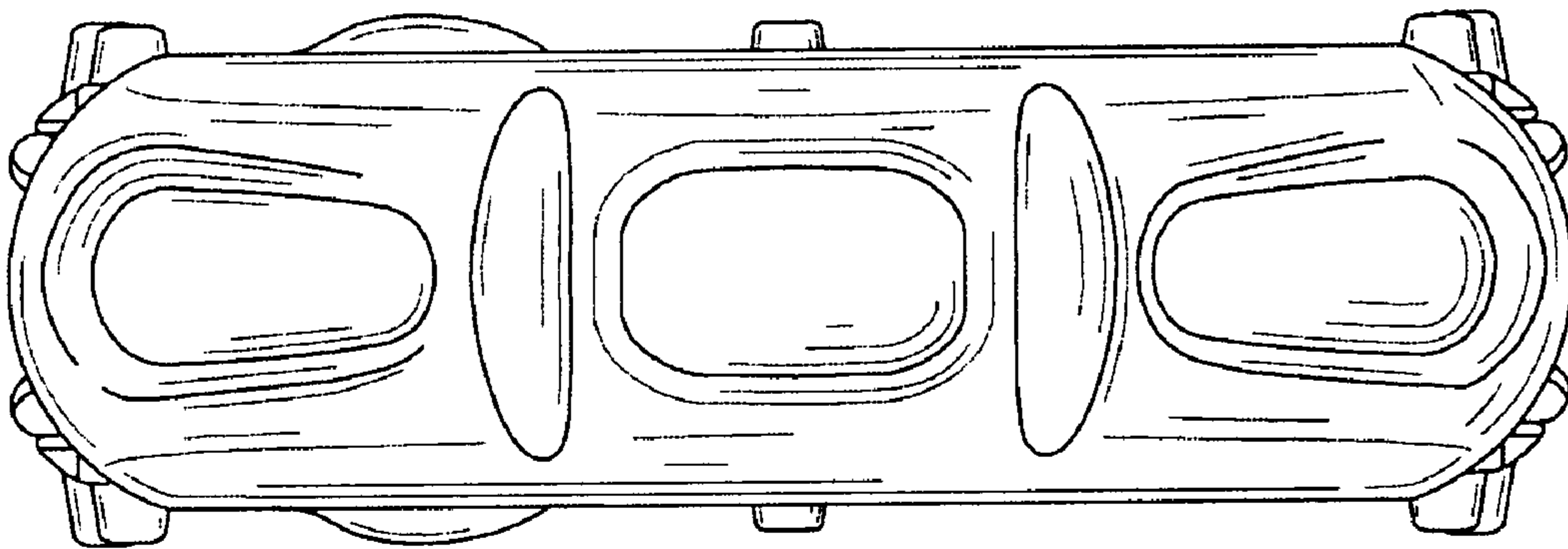


FIG. 5

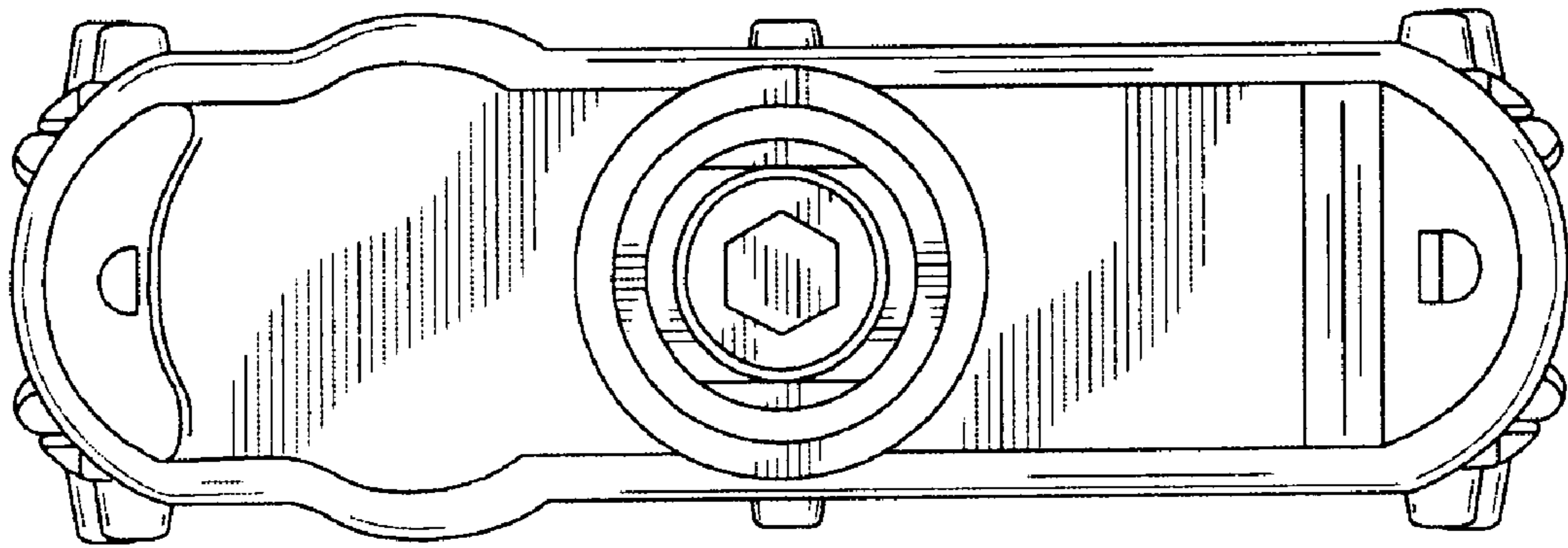


FIG. 6

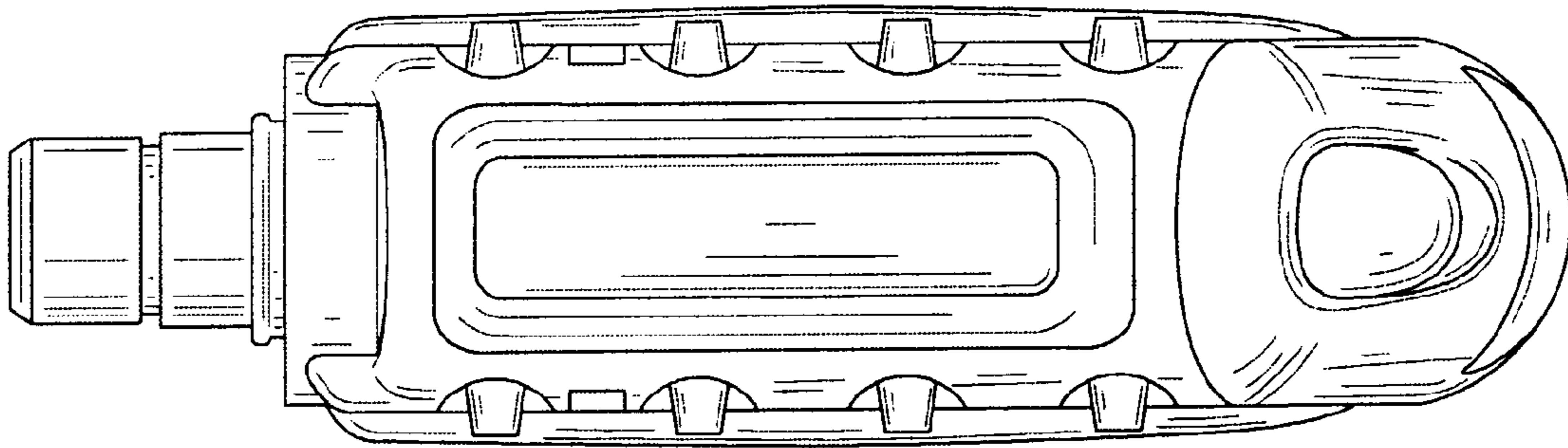


FIG. 7

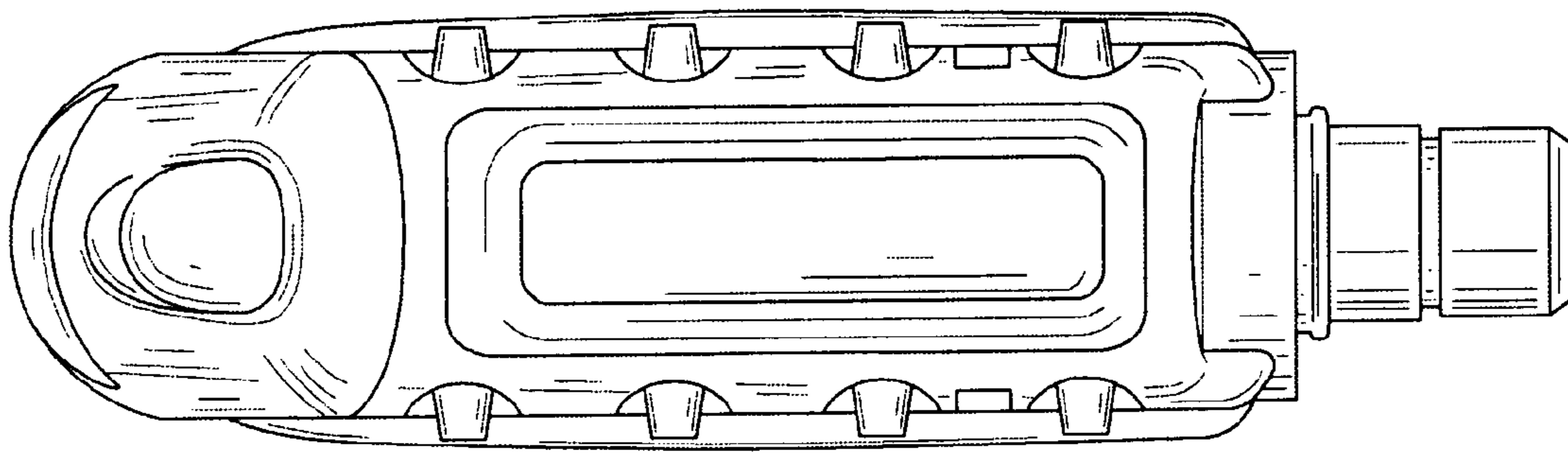


FIG. 8